



US00D488898S

(12) **United States Design Patent**  
**Ben-Moshe**

(10) **Patent No.:** **US D488,898 S**

(45) **Date of Patent:** **\*\* Apr. 20, 2004**

(54) **WINDOW SCRAPER**

D422,124 S \* 3/2000 Rimback ..... D32/41

(75) Inventor: **Rami Ben-Moshe**, Canoga Park, CA  
(US)

**FOREIGN PATENT DOCUMENTS**

DE 29913231 \* 2/2000 ..... B60S/1/04

(73) Assignee: **Sun-Mate Corporation**, Canoga Park,  
CA (US)

\* cited by examiner

(\*\*) Term: **14 Years**

*Primary Examiner*—Alan P. Douglas

*Assistant Examiner*—Lavone D. Tabor

(74) *Attorney, Agent, or Firm*—Michael A. Painter

(21) Appl. No.: **29/176,422**

(57) **CLAIM**

(22) Filed: **Feb. 24, 2003**

The ornamental design for a window scraper, as described and shown.

(51) **LOC (7) Cl.** ..... **07-05**

(52) **U.S. Cl.** ..... **D32/41**

(58) **Field of Search** ..... D32/40, 41, 46;  
D8/45, 90; 15/143.1, 236.01, 236.02, 245,  
245.1, 235.3; 16/430, 431

**DESCRIPTION**

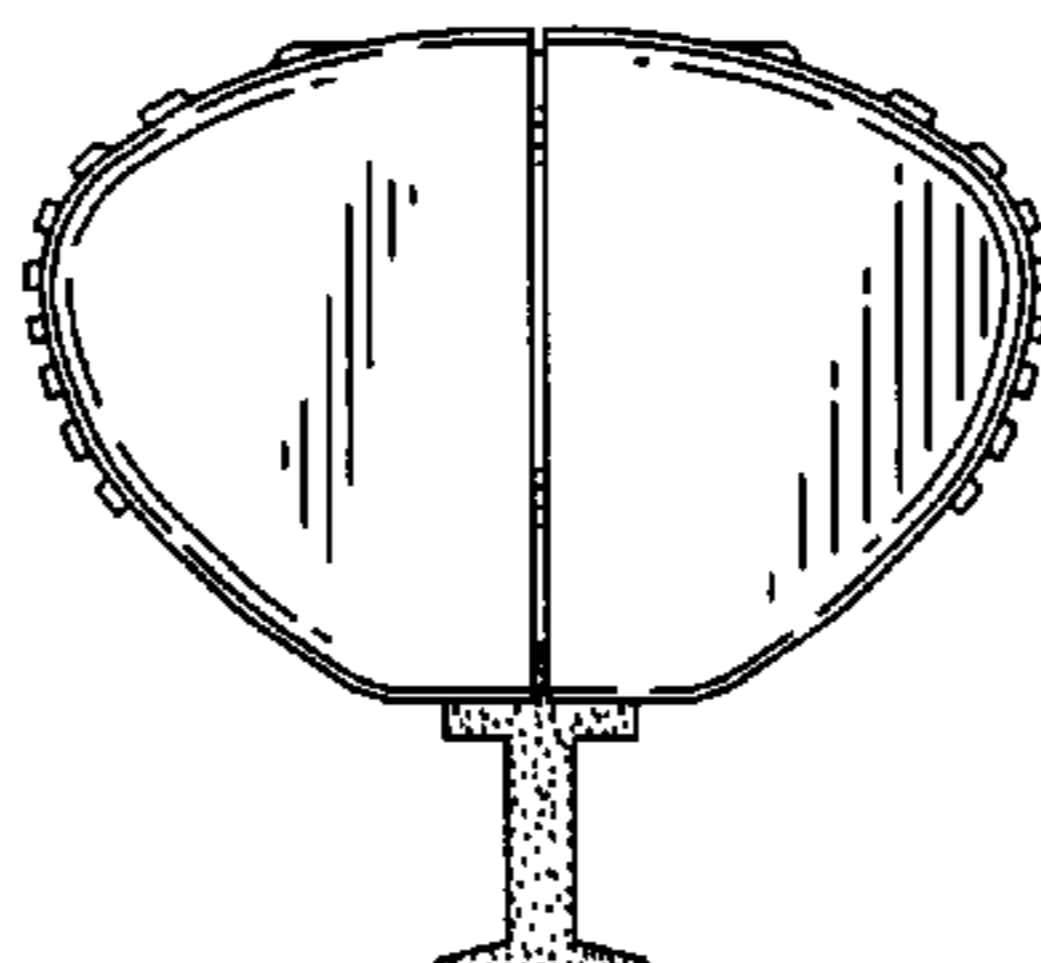
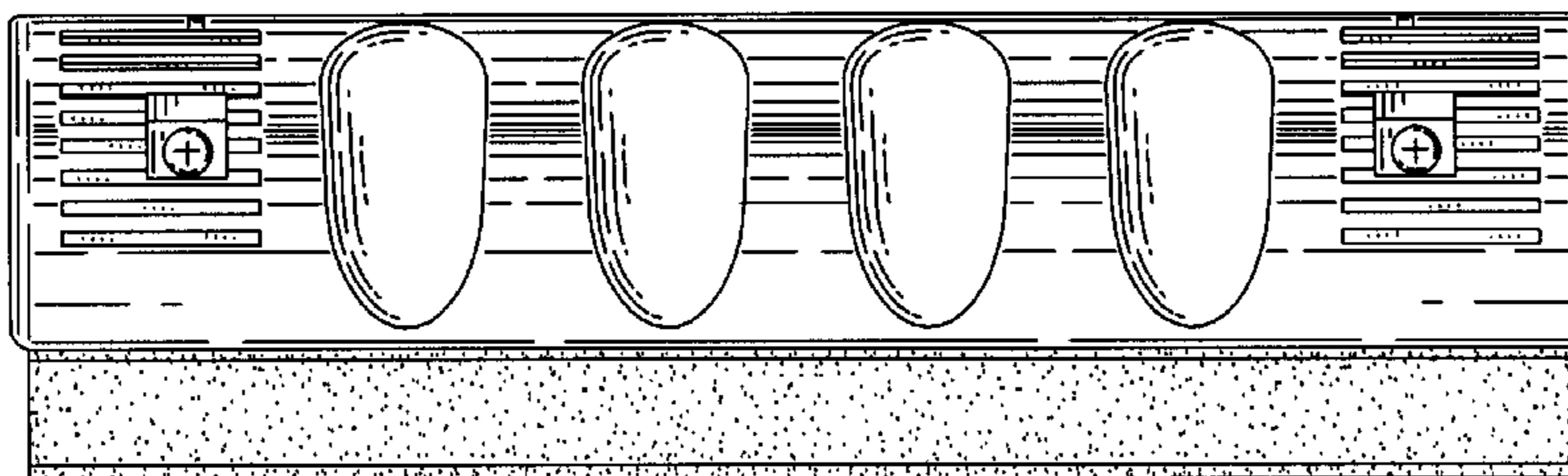
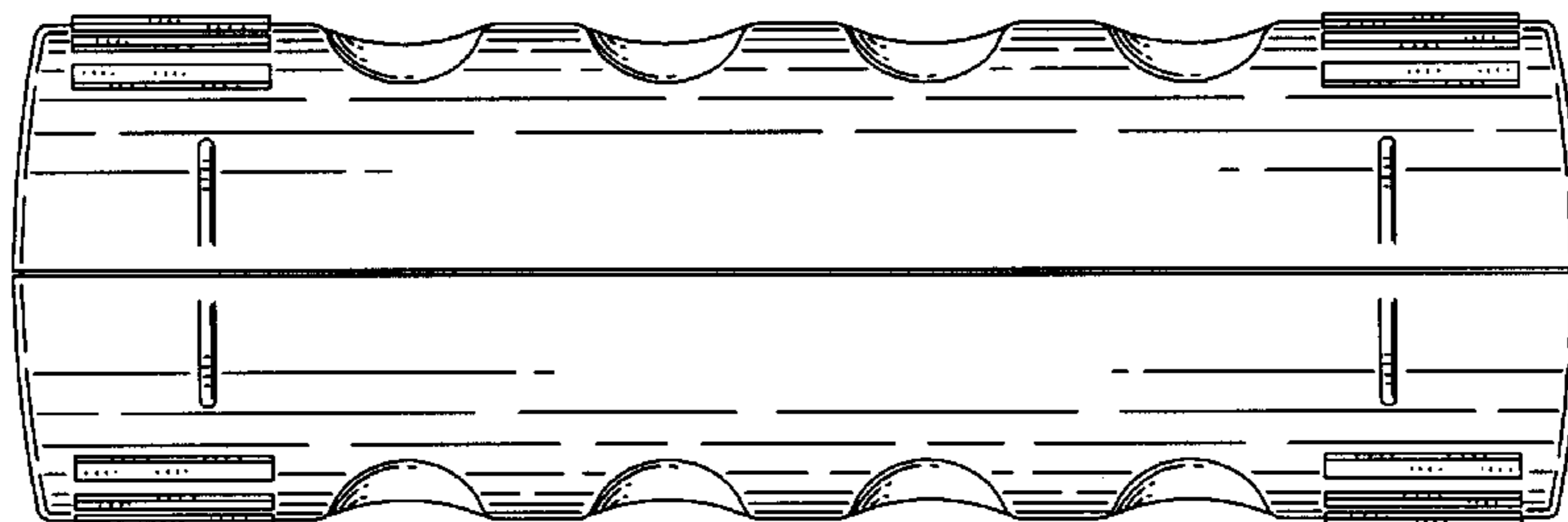
(56) **References Cited**

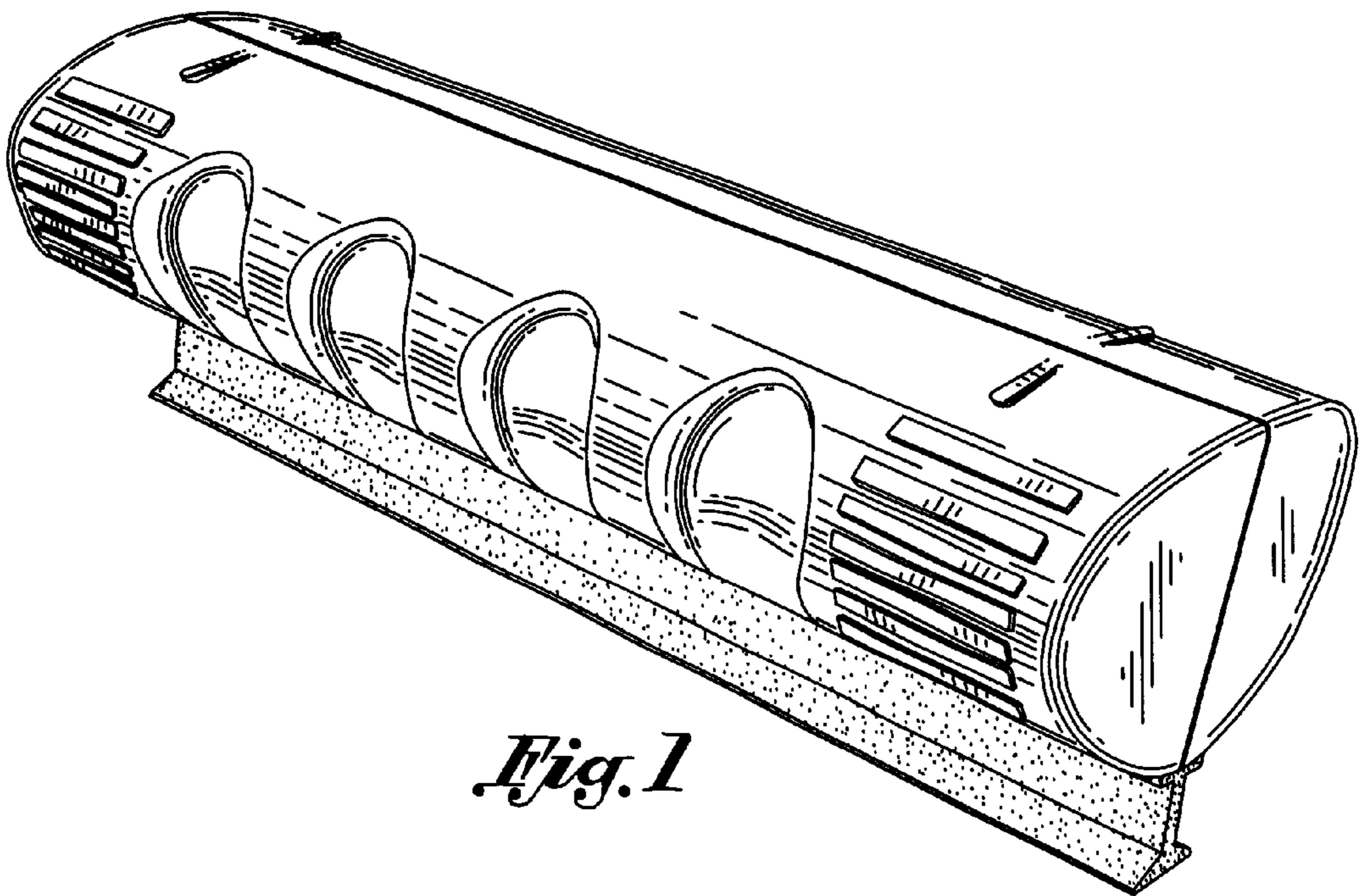
**U.S. PATENT DOCUMENTS**

- 1,520,045 A \* 12/1924 Winiarski ..... 15/245
- 4,064,588 A \* 12/1977 Cooper ..... 15/235.3 X
- 5,321,868 A \* 6/1994 Coulson et al. .... 15/245.1
- D388,569 S \* 12/1997 Israel ..... D32/41
- 5,920,947 A \* 7/1999 Varner ..... 15/245

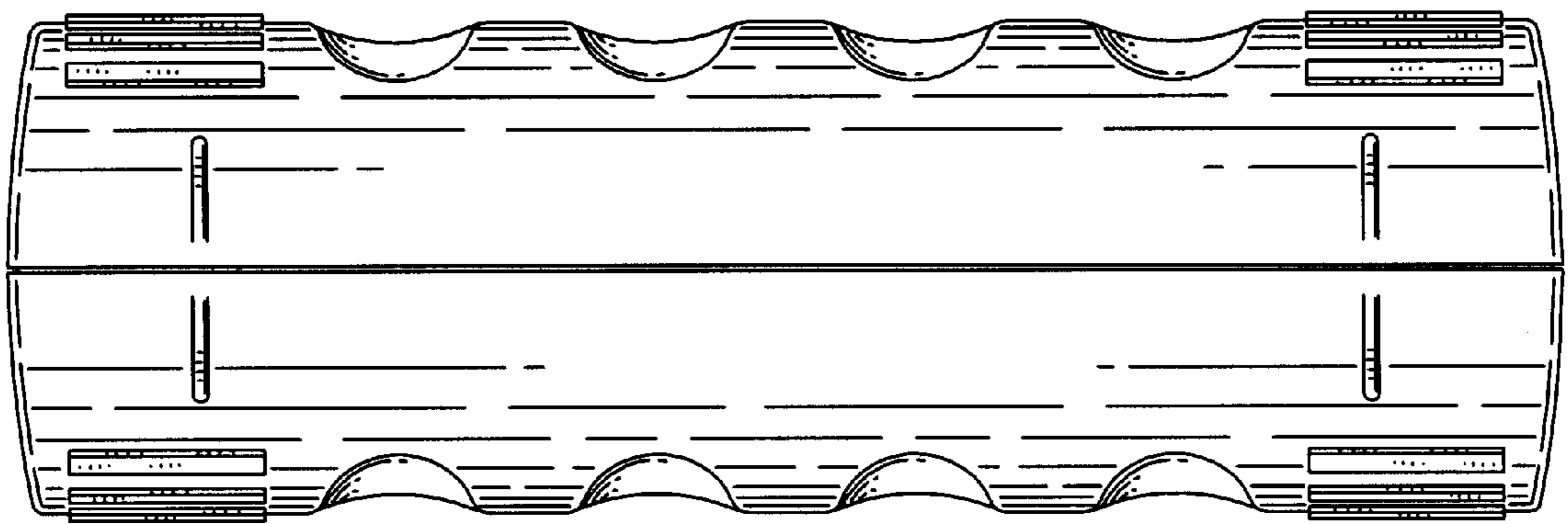
FIG. 1 is a front perspective view of a window scraper illustrating my new design;  
 FIG. 2 is a top plan view thereof;  
 FIG. 3 is a right side view thereof;  
 FIG. 4 is a bottom plan view thereof;  
 FIG. 5 is a front elevation view thereof;  
 FIG. 6 is a rear end elevation view thereof; and,  
 FIG. 7 is a left side elevation view thereof.

**1 Claim, 2 Drawing Sheets**

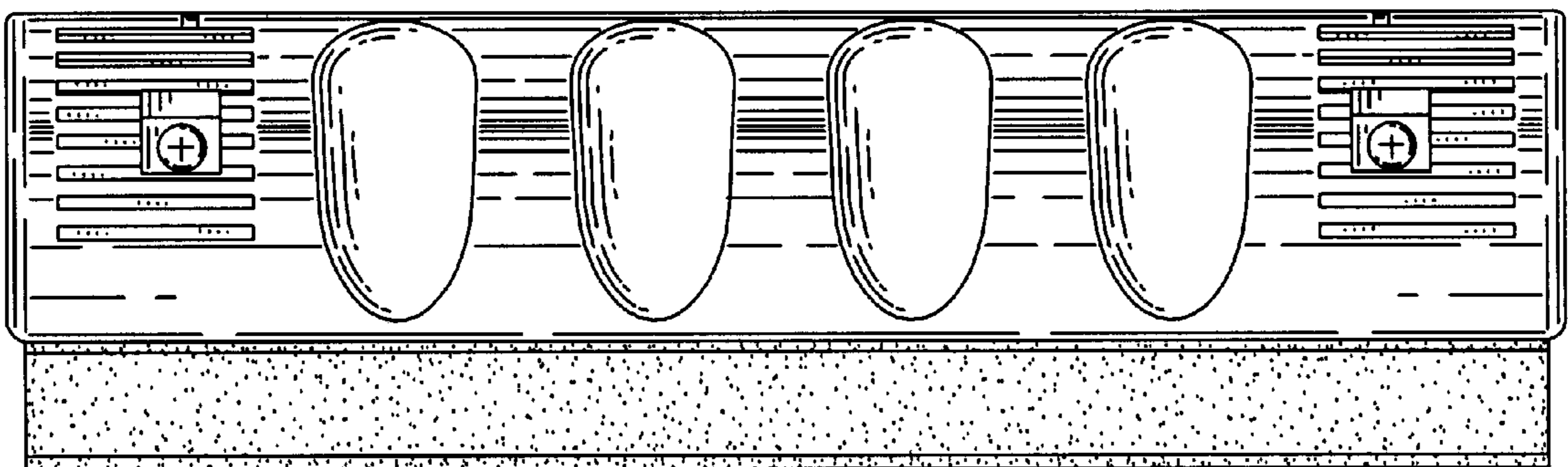




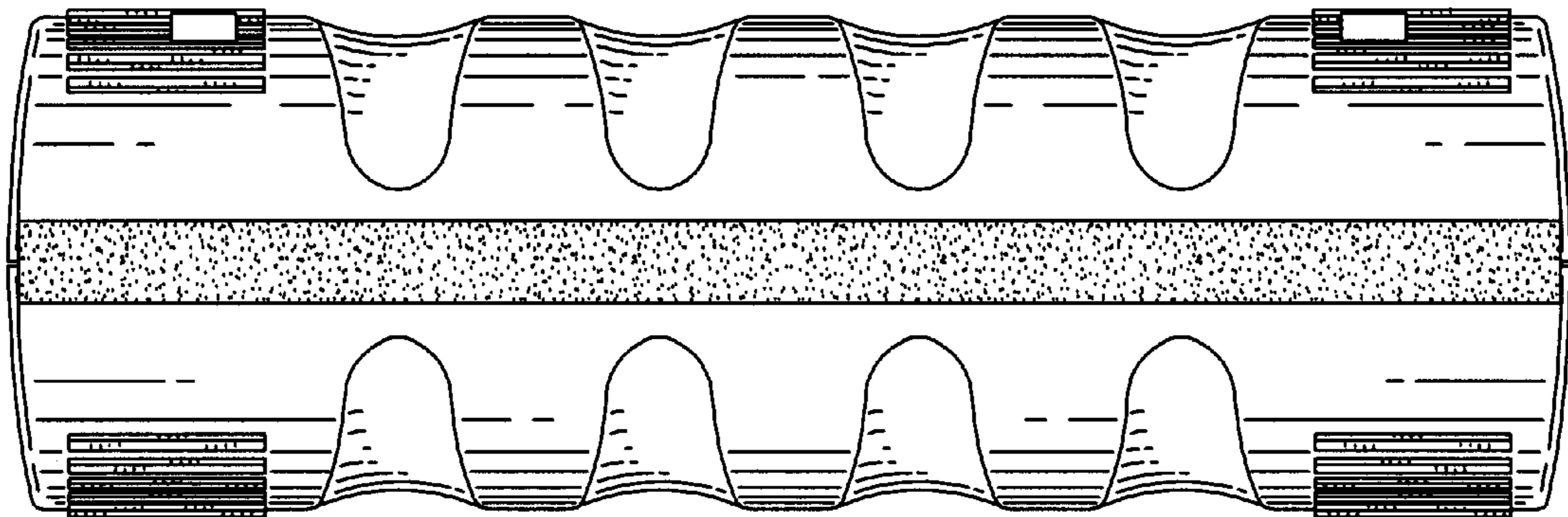
*Fig. 1*



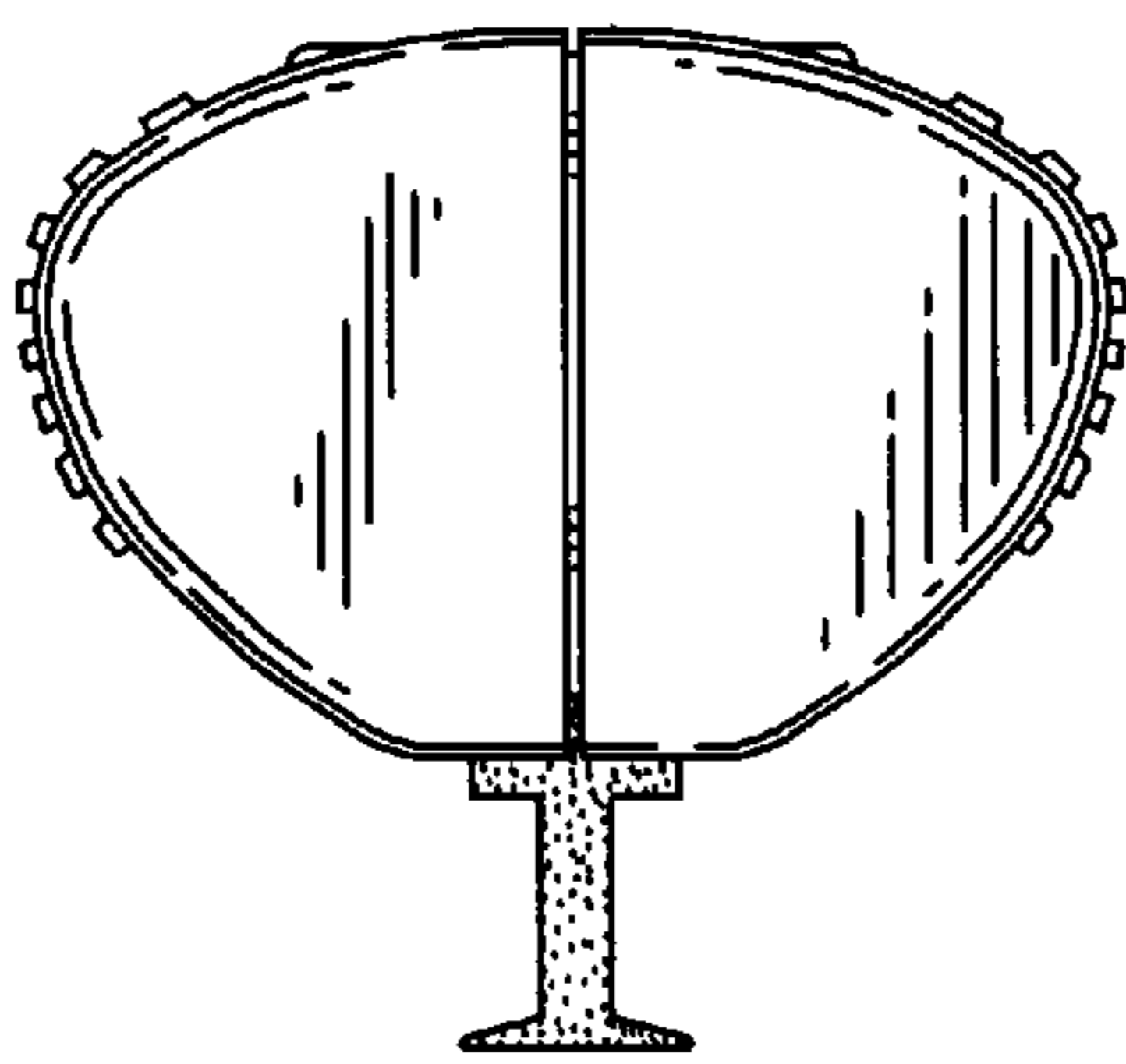
*Fig. 2*



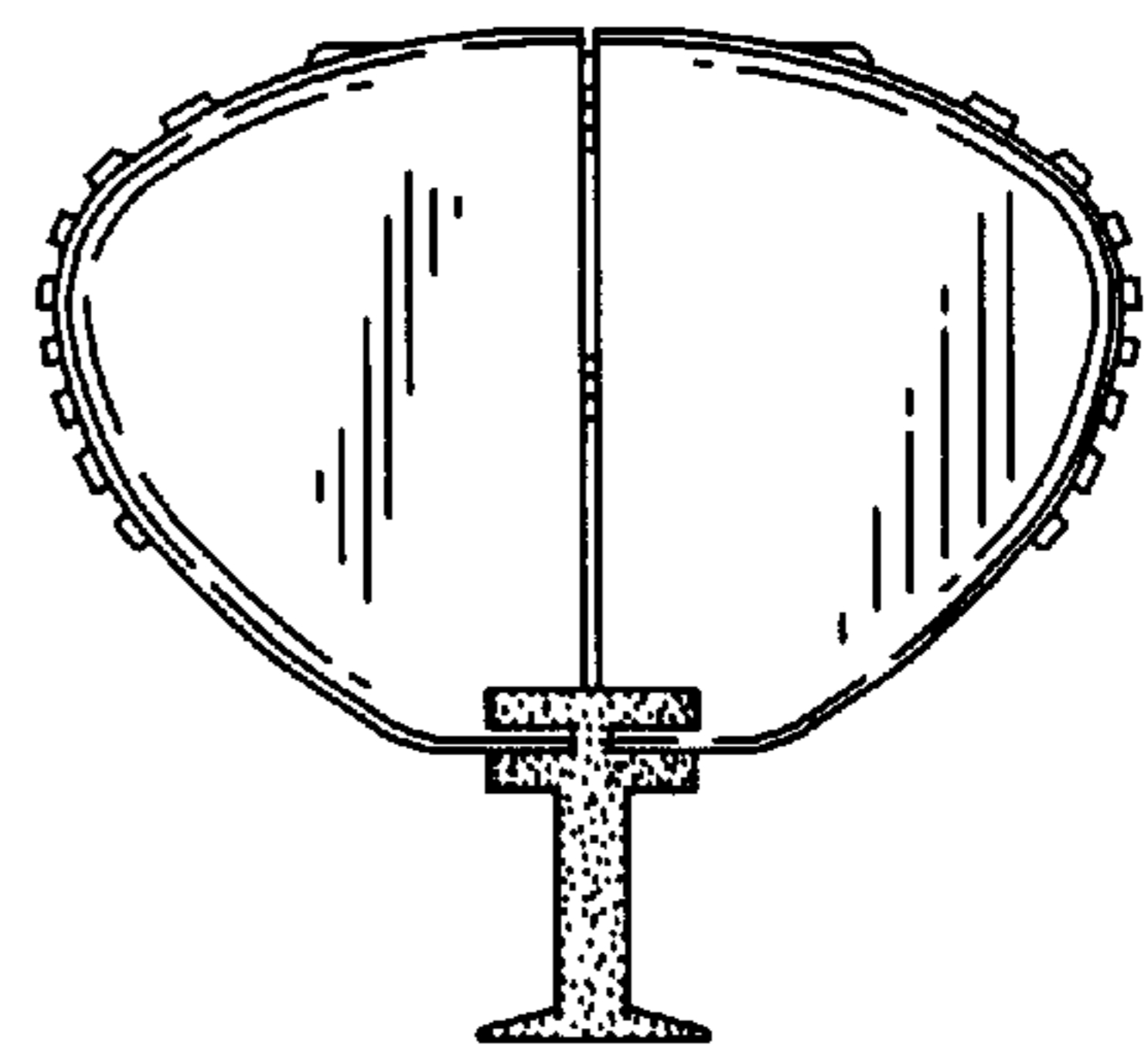
*Fig. 3*



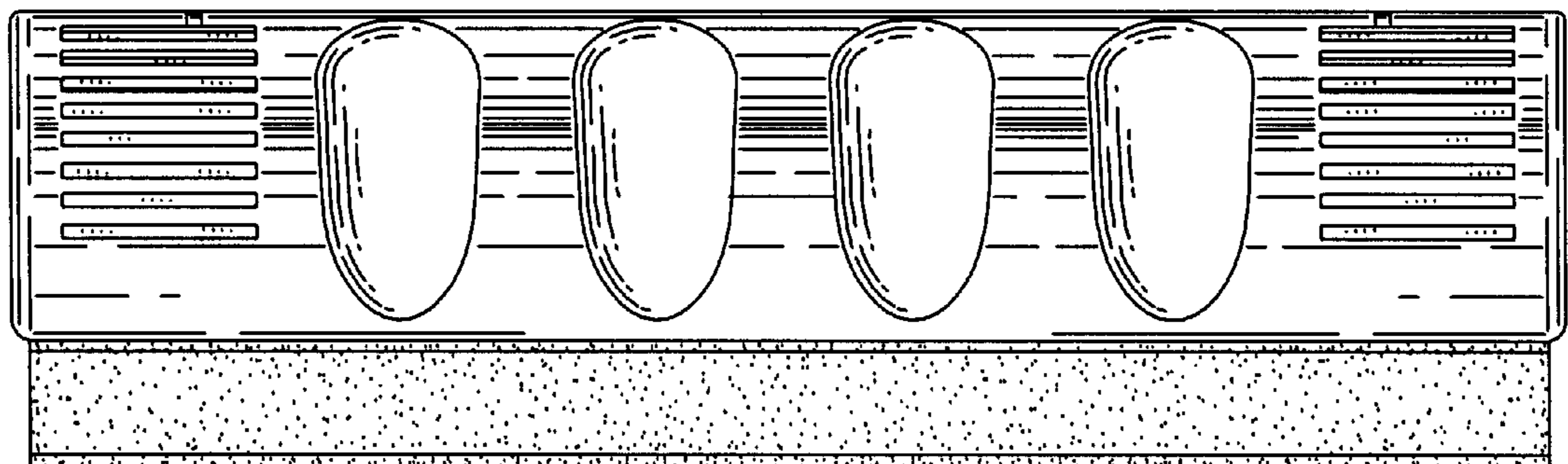
*Fig. 4*



*Fig. 5*



*Fig. 6*



*Fig. 7*