



US00D488897S

(12) **United States Design Patent**
Leyden

(10) **Patent No.:** **US D488,897 S**

(45) **Date of Patent:** **** Apr. 20, 2004**

(54) **NOZZLE ASSEMBLY FOR FOLDING UPRIGHT VACUUM CLEANER**

(75) **Inventor:** **Christian S. Leyden**, Danville, KY (US)

(73) **Assignee:** **Matsushita Electric Corporation of America**, Secaucus, NJ (US)

(**) **Term:** **14 Years**

(21) **Appl. No.:** **29/182,712**

(22) **Filed:** **May 30, 2003**

(51) **LOC (7) Cl.** **15-05**

(52) **U.S. Cl.** **D32/32**

(58) **Field of Search** D32/38-39, 21-22, D32/25, 31-34; 15/350-351, 347, 363, 41.1, 410, 412, 415.1-422, 422.1, 398, 400, 320-322, 1.7

(56) **References Cited**

U.S. PATENT DOCUMENTS

- D349,371 S * 8/1994 Furcron et al. D32/32
- D355,285 S * 2/1995 Lawrence et al. D32/32

- D416,114 S 11/1999 Mehaffey
- D423,741 S * 4/2000 Sato D32/32
- D469,936 S * 2/2003 Mchaffey D32/32
- D469,937 S * 2/2003 Leyden D32/32
- D481,845 S * 11/2003 Leyden et al. D32/32

* cited by examiner

Primary Examiner—Ruth McInroy

(74) *Attorney, Agent, or Firm*—King & Schickli, PLLC

(57) **CLAIM**

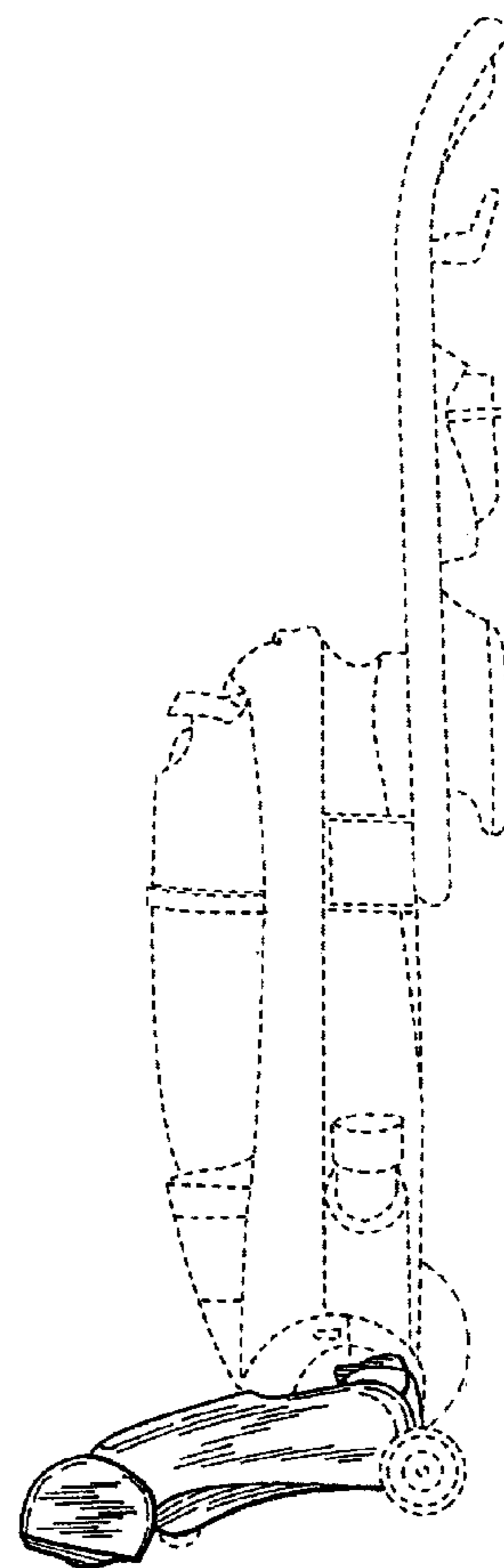
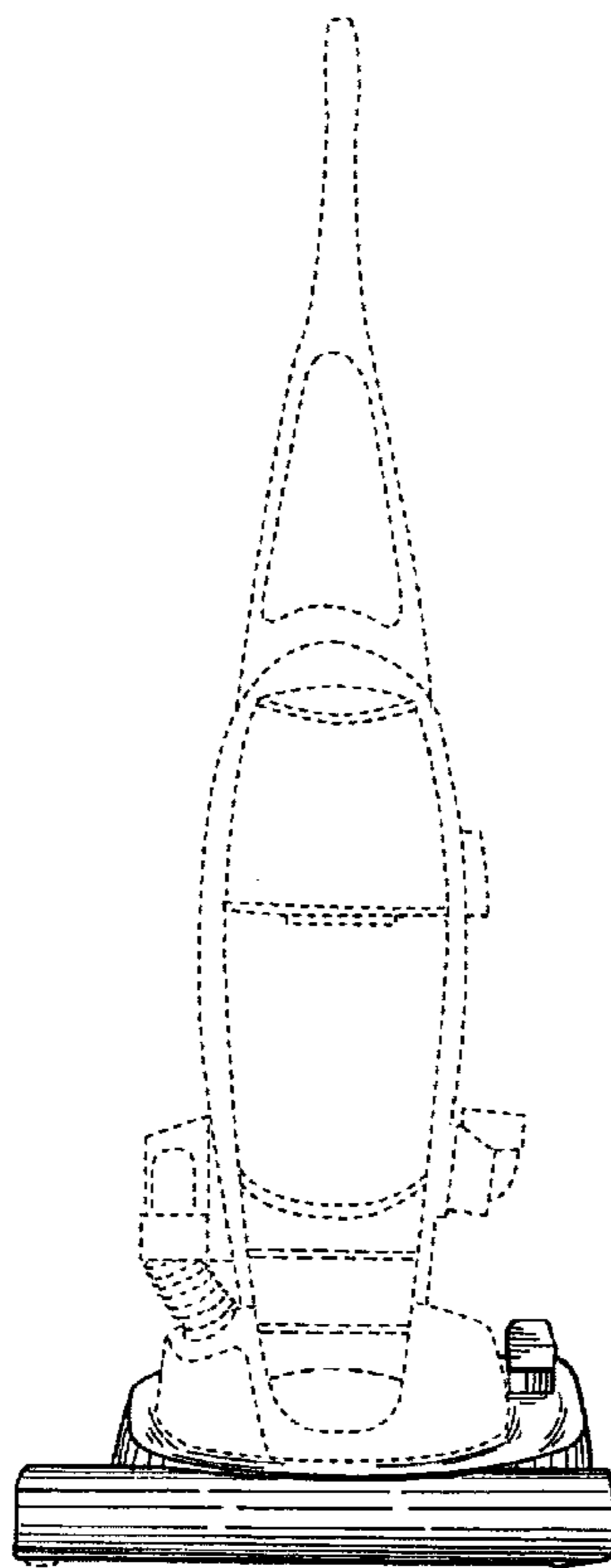
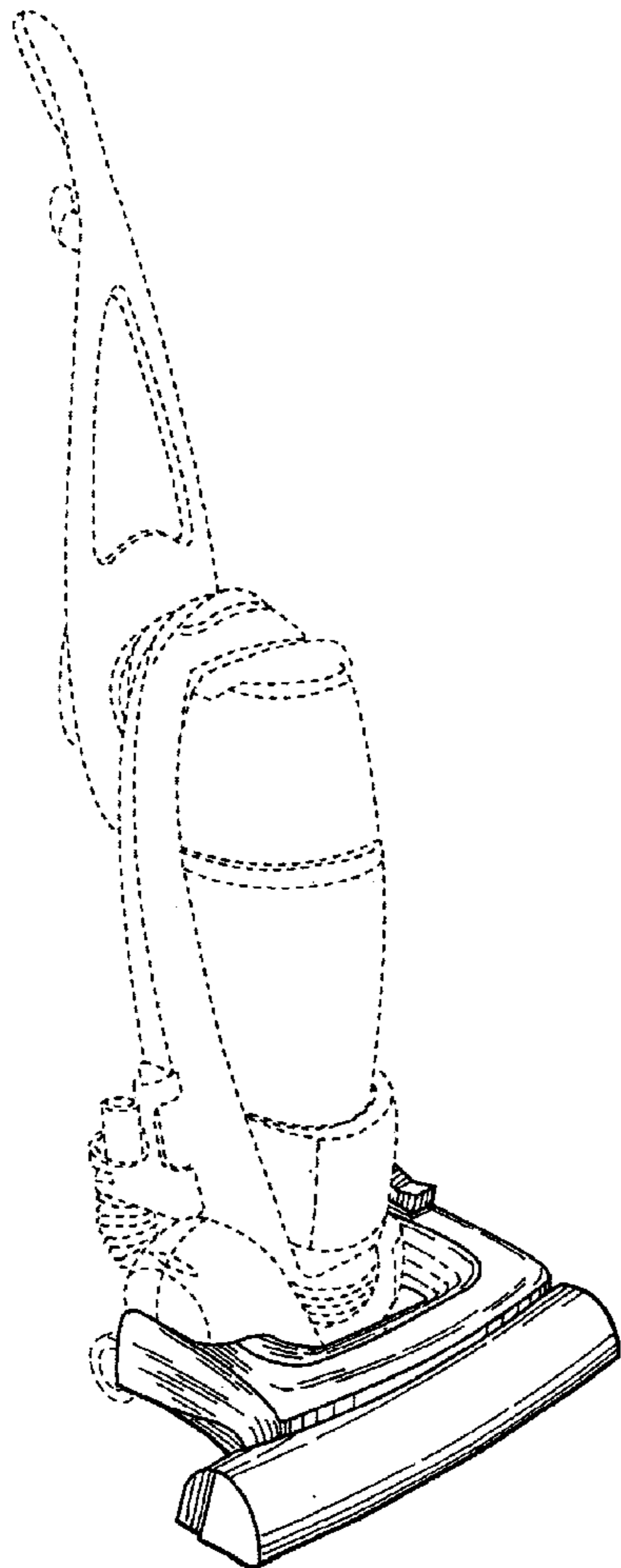
The ornamental design of a nozzle assembly for folding upright vacuum cleaner, as shown and described.

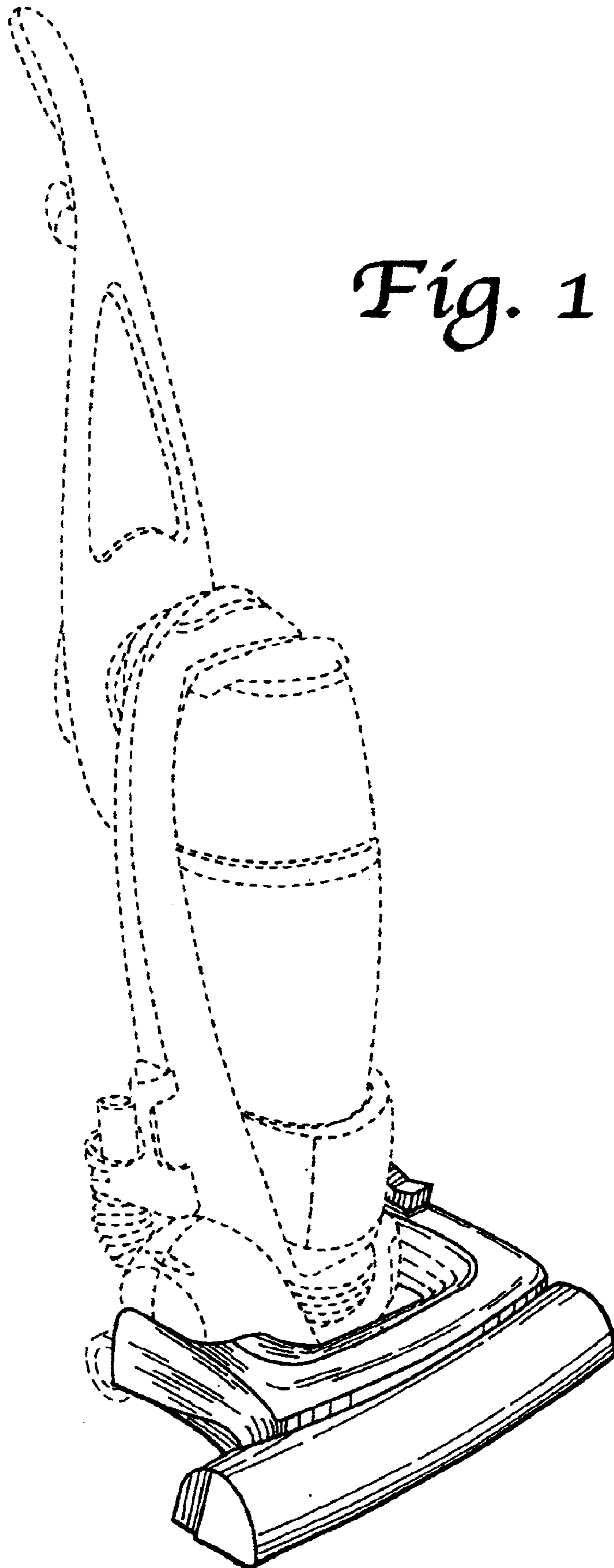
DESCRIPTION

FIG. 1 is a perspective view of a nozzle assembly for folding upright vacuum cleaner showing my new design; FIG. 2 is a right side elevational view thereof; FIG. 3 is a front elevational view thereof; FIG. 4 is a left side elevational view thereof; FIG. 5 is a rear elevational view thereof; and, FIG. 6 is a top plan view thereof.

The details shown in broken lines are for illustrative purposes only and form no part of the claimed design.

1 Claim, 4 Drawing Sheets





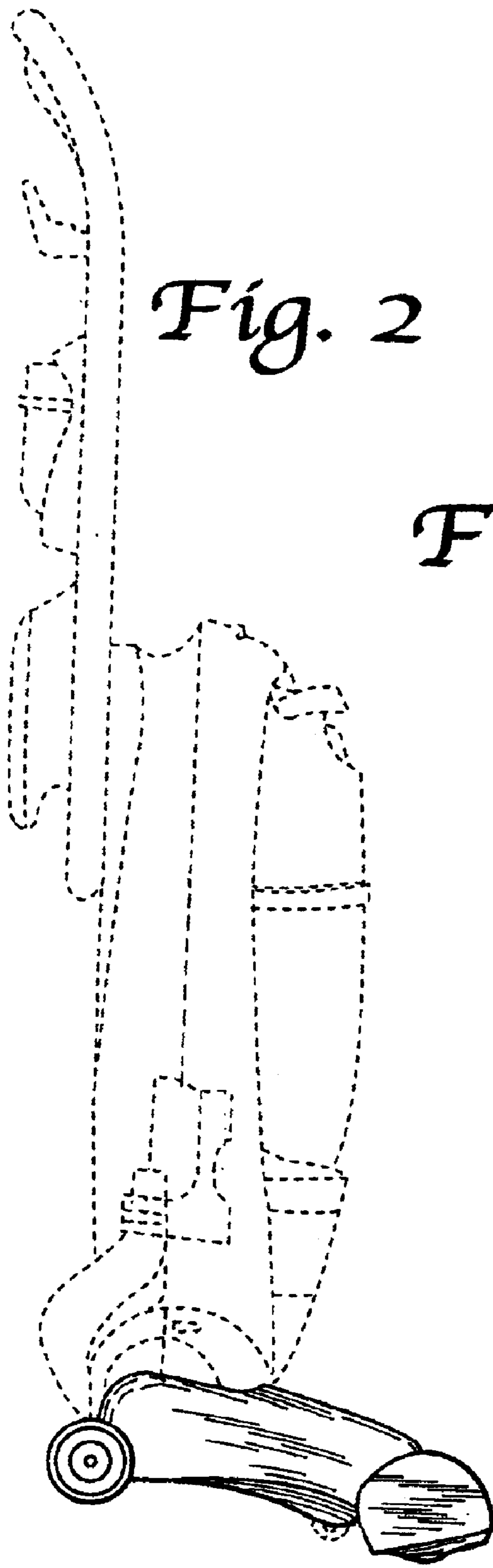


Fig. 3

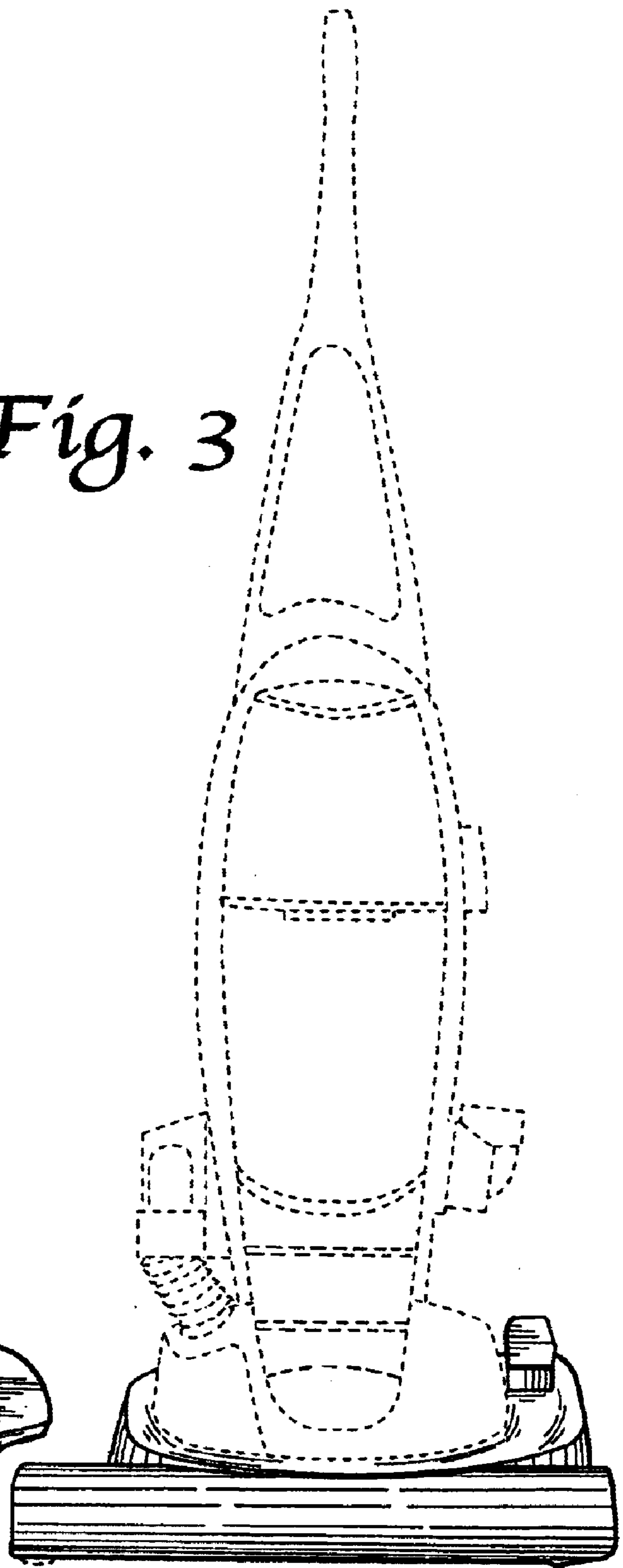
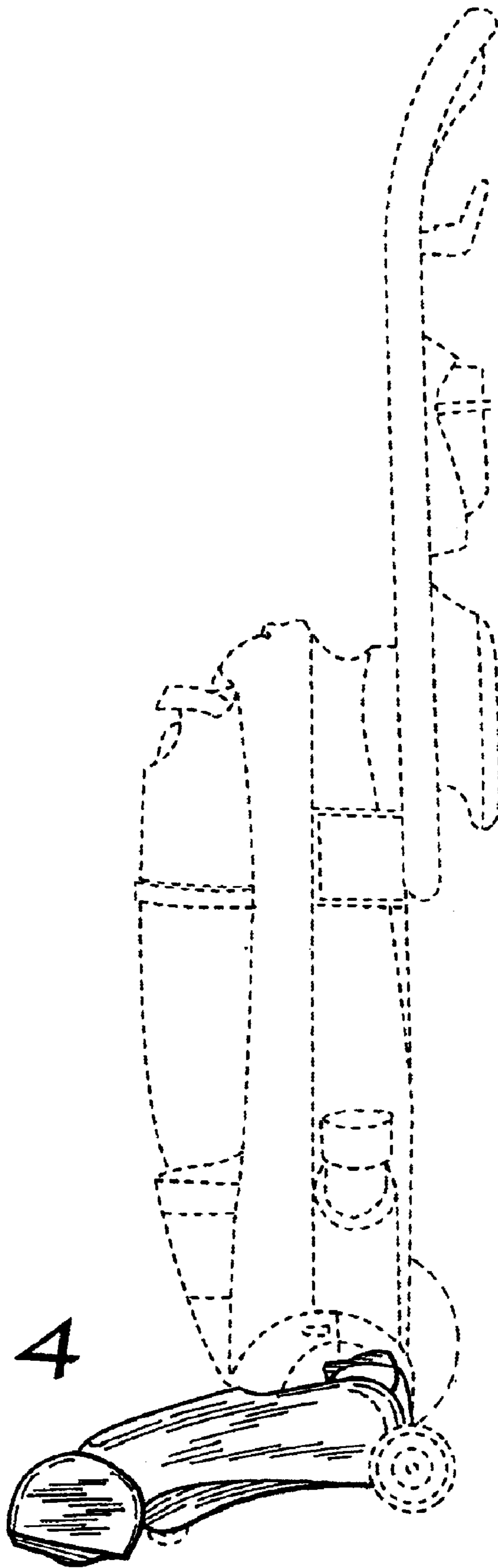


Fig. 4



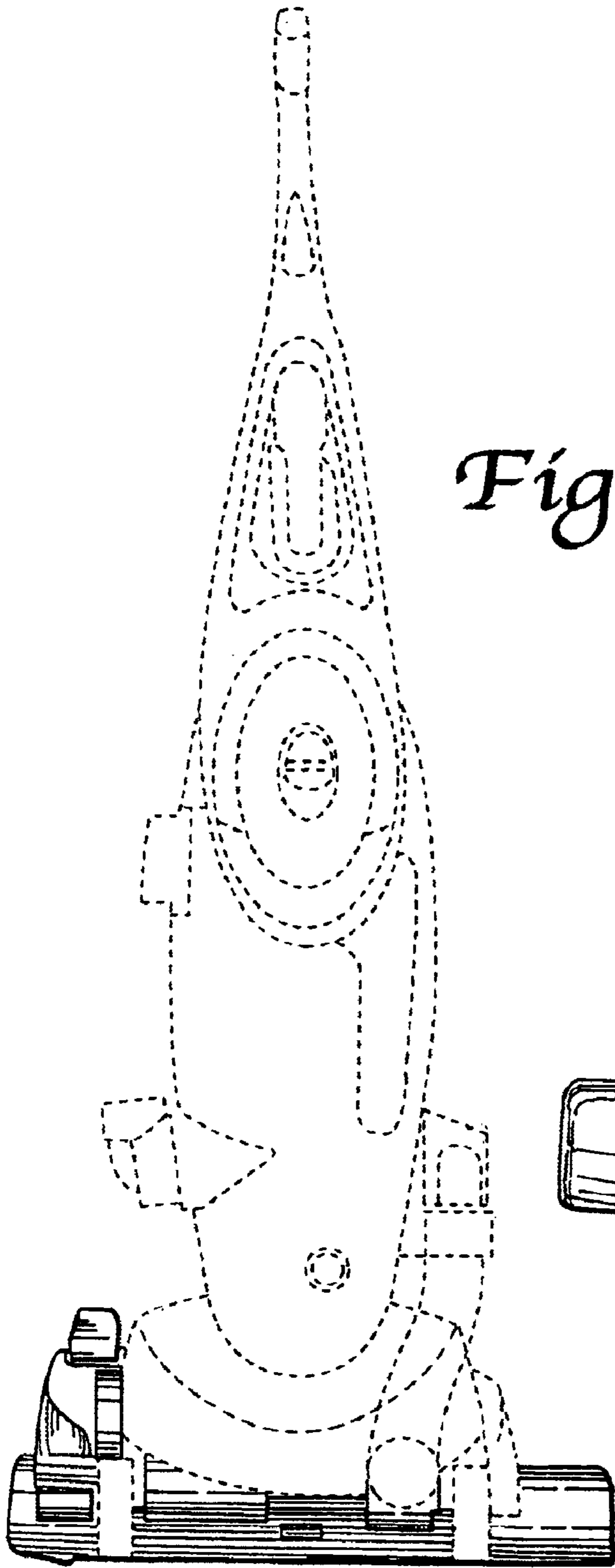


Fig. 5

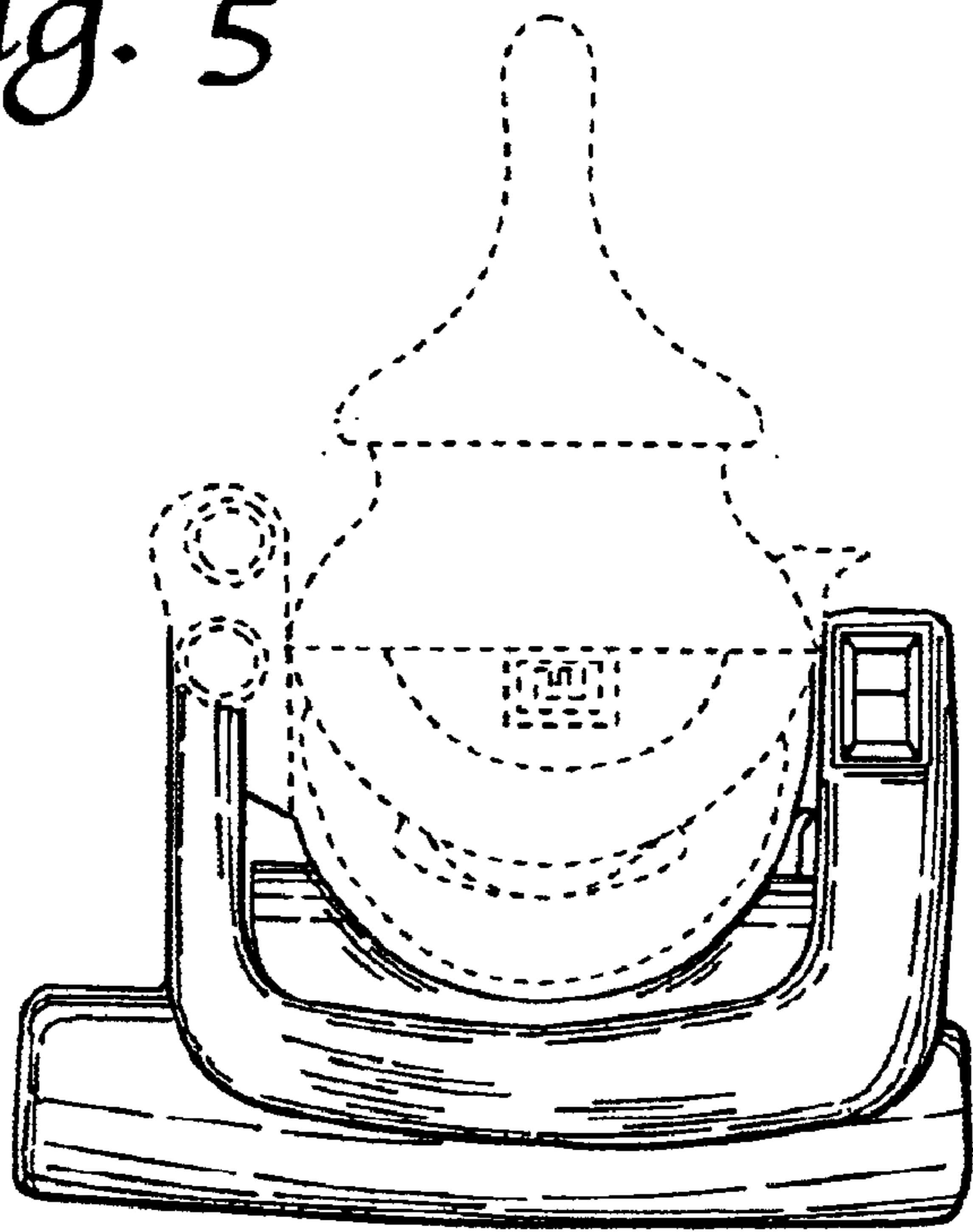


Fig. 6