



US00D488894S

(12) **United States Design Patent**
Leyden

(10) **Patent No.:** **US D488,894 S**

(45) **Date of Patent:** **** Apr. 20, 2004**

(54) **FOLDING UPRIGHT VACUUM CLEANER**

(75) **Inventor:** **Christian S. Leyden, Danville, KY (US)**

(73) **Assignee:** **Matsushita Electric Corporation of America, Secaucus, NJ (US)**

(**) **Term:** **14 Years**

(21) **Appl. No.:** **29/182,713**

(22) **Filed:** **May 30, 2003**

(51) **LOC (7) Cl.** **15-05**

(52) **U.S. Cl.** **D32/22**

(58) **Field of Search** D32/38-39, 21-22,
D32/25, 31-34; 15/350-351, 347, 363,
41.1, 410, 412, 415.1-422, 422.1, 398,
400, 320-322, 1.7

(56) **References Cited**

U.S. PATENT DOCUMENTS

D416,114 S	11/1999	Mehaffey	
6,030,465 A	2/2000	Marcussen et al.	
6,035,486 A	3/2000	McCormick	
D444,275 S	* 6/2001	Mehaffey D32/30
D453,595 S	* 2/2002	Stephens et al. D32/30
D453,596 S	* 2/2002	Farone et al. D32/31

D459,561 S	* 6/2002	Leyden D32/22
D460,228 S	* 7/2002	Zahuranec et al. D32/31
D462,814 S	* 9/2002	Sugimoto D32/22
D462,815 S	* 9/2002	Roberts et al. D32/31
D463,078 S	* 9/2002	Harada D32/22
D465,075 S	* 10/2002	Wright et al. D32/31
6,532,621 B2	* 3/2003	Stephens et al. 15/412
D477,698 S	* 7/2003	Roberts et al. D32/31

* cited by examiner

Primary Examiner—Ruth McInroy

(74) *Attorney, Agent, or Firm*—King & Schickli, PLLC

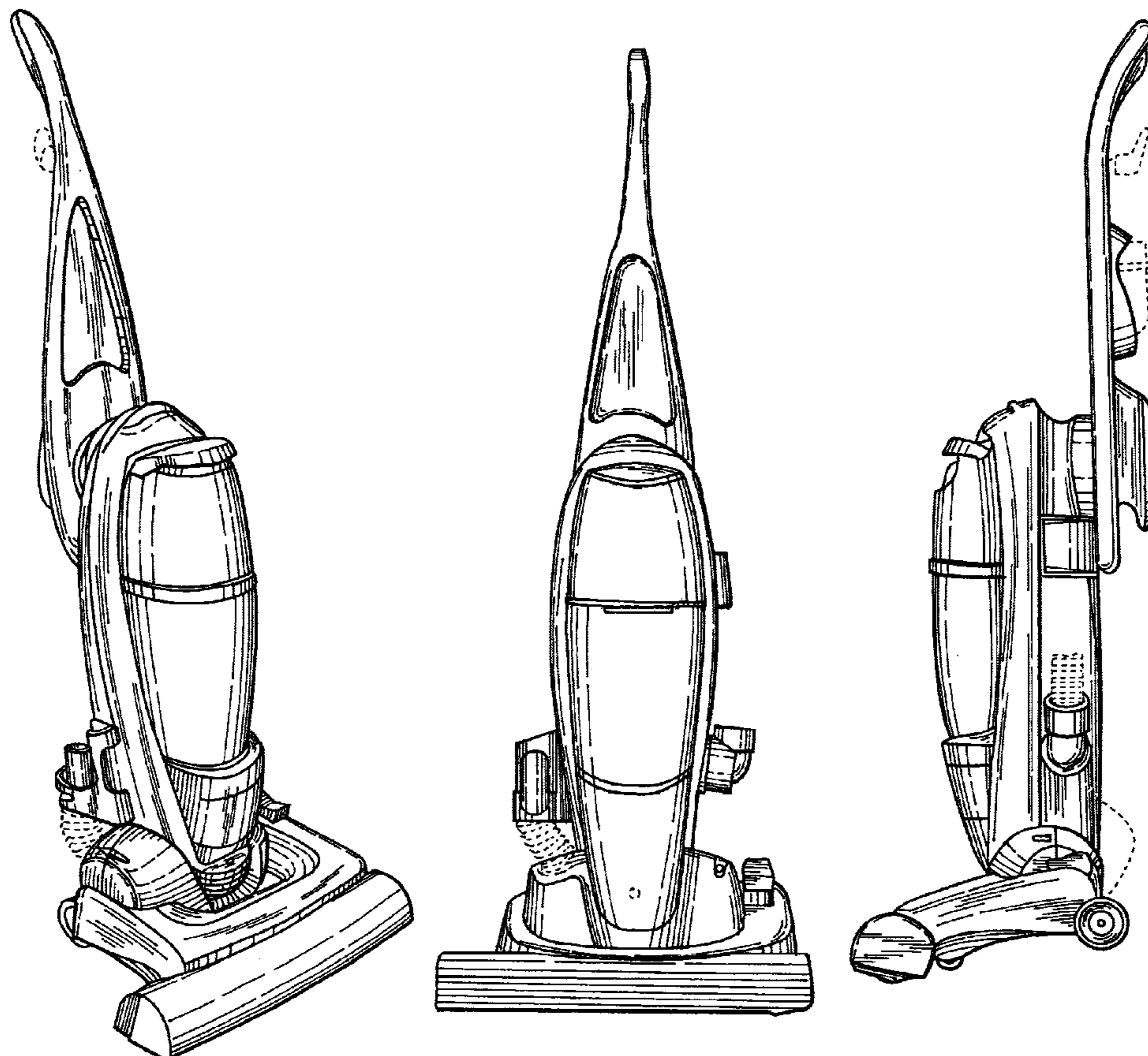
(57) **CLAIM**

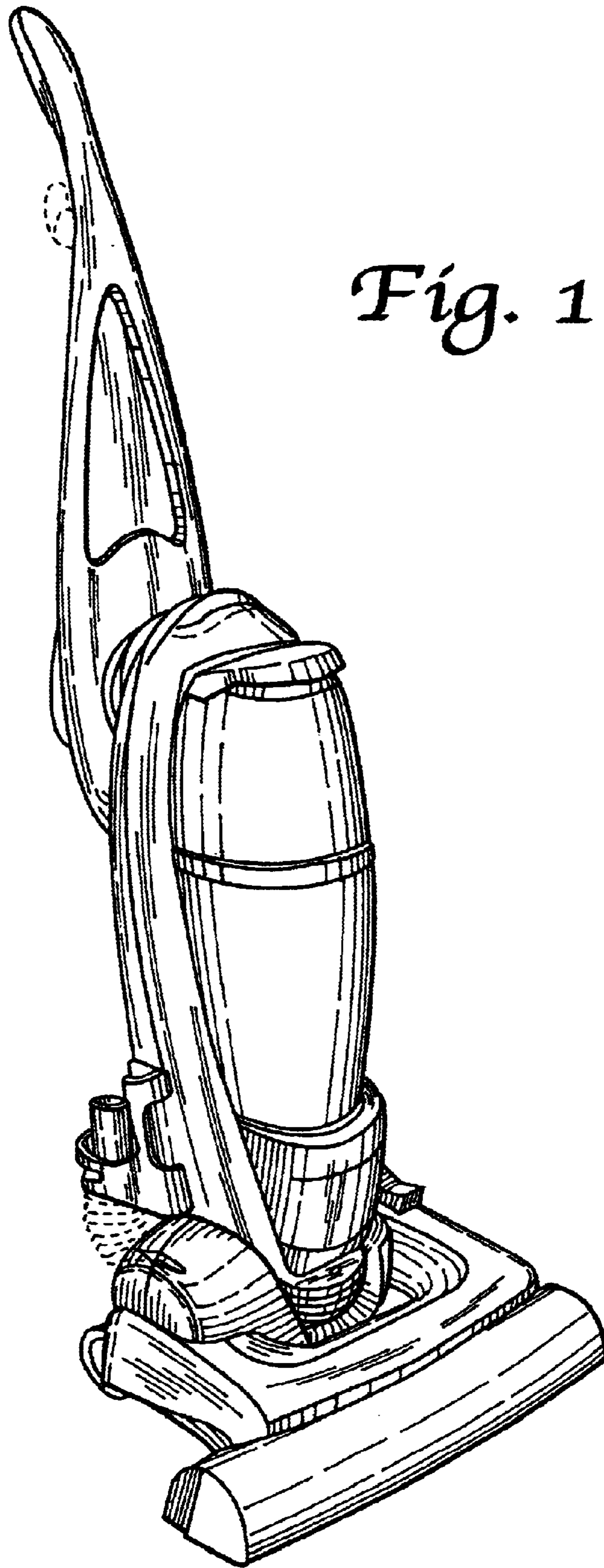
The ornamental design of a folding upright vacuum cleaner, as shown and described.

DESCRIPTION

FIG. 1 is a perspective view of the folding upright vacuum cleaner of the present invention; FIG. 2 is a right side elevational view thereof; FIG. 3 is a front elevational view thereof; FIG. 4 is a left side elevational view thereof; FIG. 5 is a rear elevational view thereof; and, FIG. 6 is a top plan view thereof. The details shown in broken lines are for illustrative purposes only and form no part of the claimed design.

1 Claim, 4 Drawing Sheets





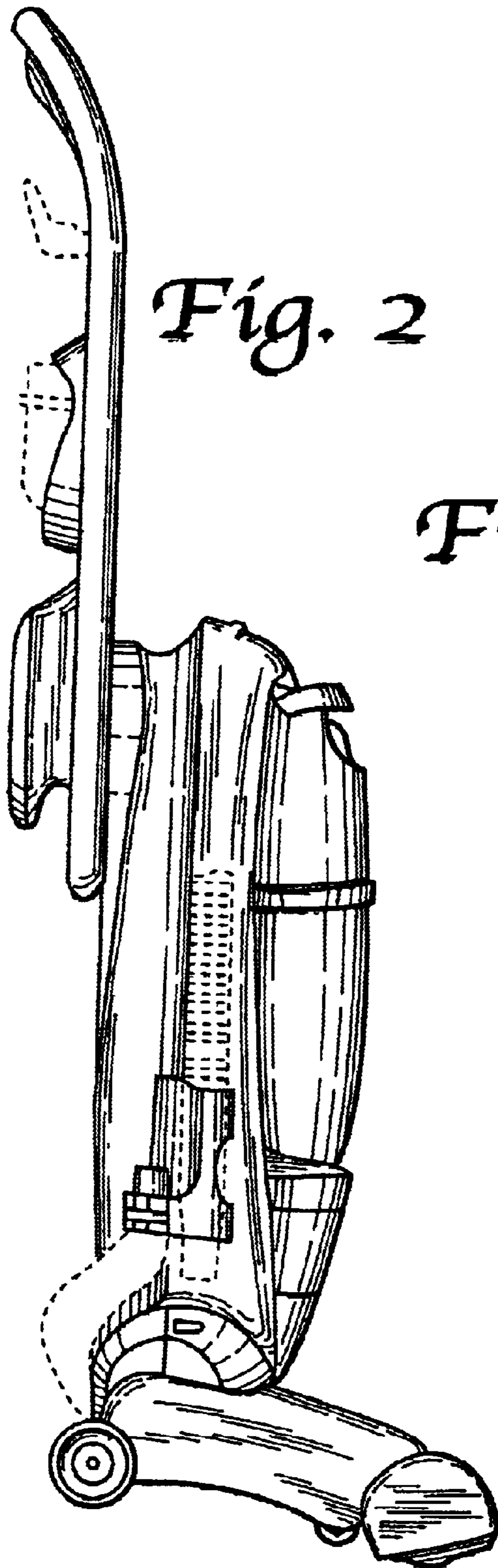
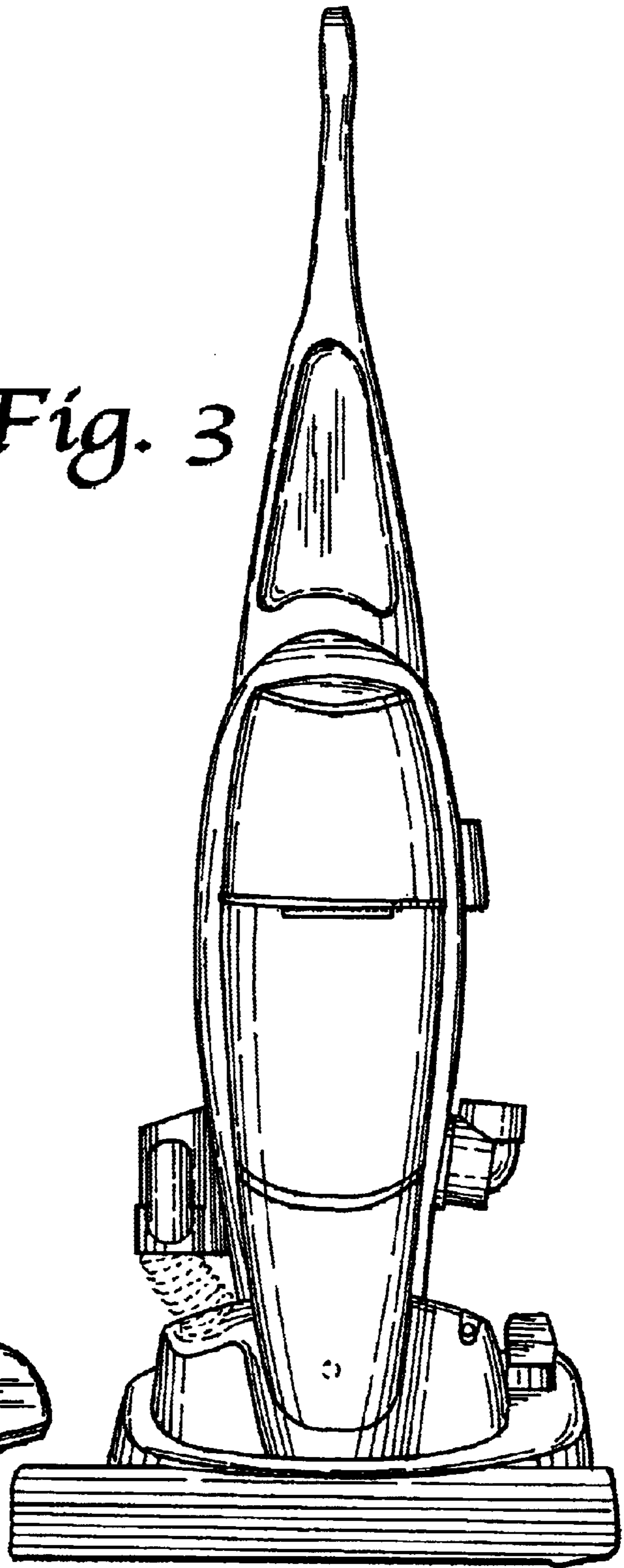


Fig. 3



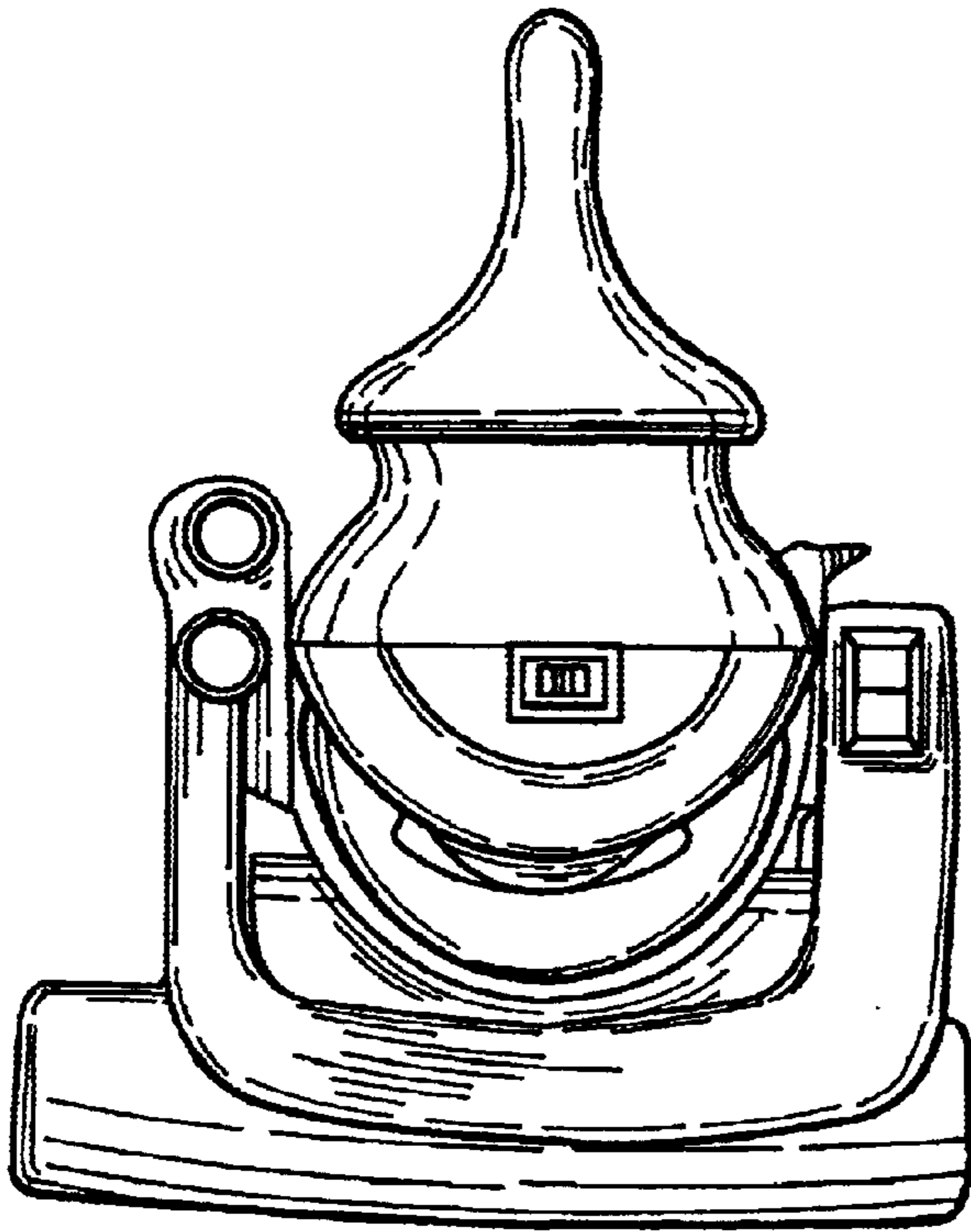


Fig. 6

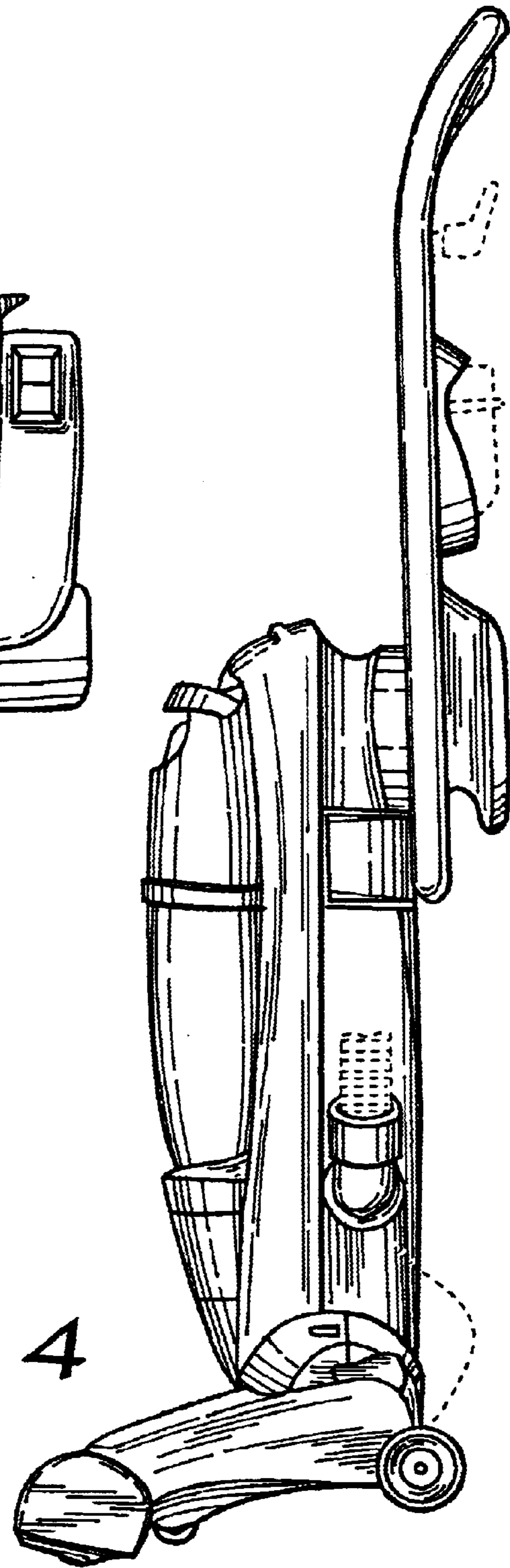


Fig. 4

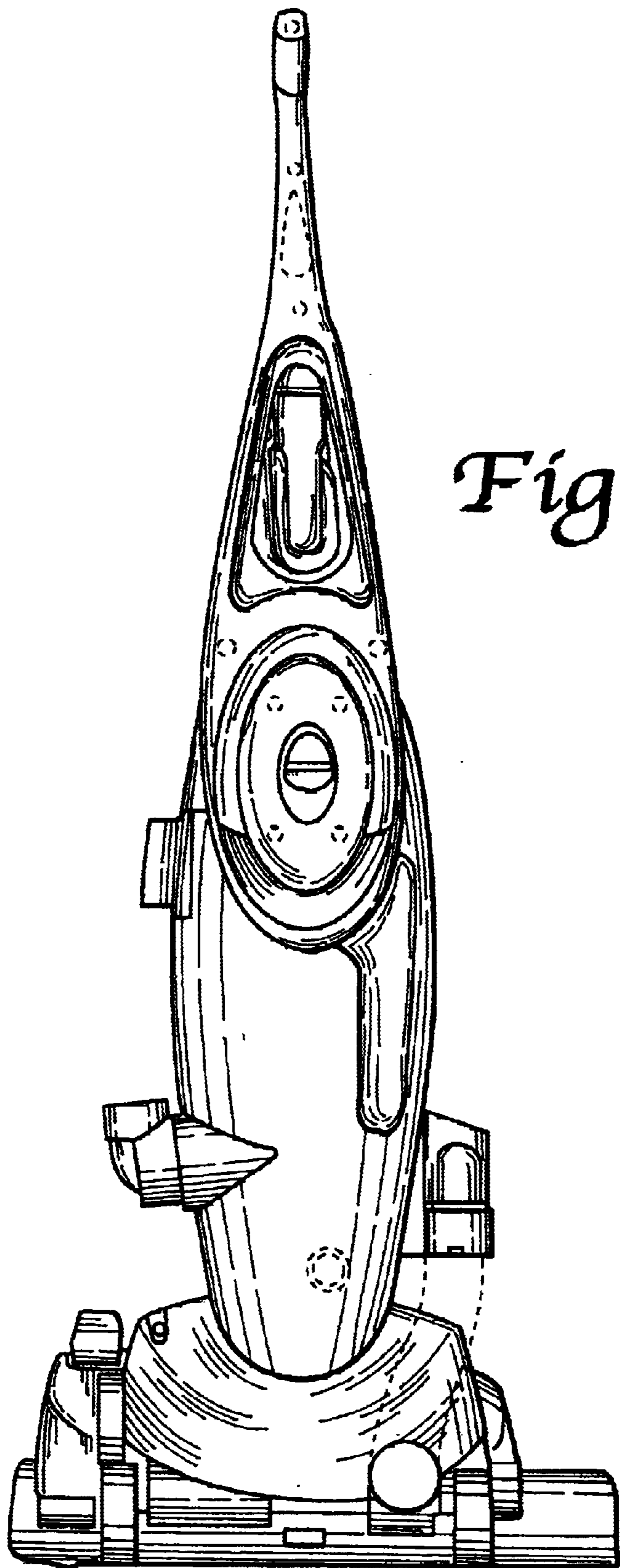


Fig. 5