



US00D488889S

(12) **United States Design Patent**
Walsh

(10) **Patent No.:** **US D488,889 S**

(45) **Date of Patent:** **** Apr. 20, 2004**

(54) **WILDLIFE FEEDER**

(76) Inventor: **Keith C. Walsh**, 506 E. Dallas St.,
Montezuma, IA (US) 50171

(**) Term: **14 Years**

(21) Appl. No.: **29/181,621**

(22) Filed: **May 13, 2003**

(51) **LOC (7) Cl.** **30-07**

(52) **U.S. Cl.** **D30/121**

(58) **Field of Search** D30/121, 122,
D30/131, 133; 119/57.91, 51.01, 51.11,
52.1, 53, 54, 55, 53.5, 61, 52.2, 51.5, 51.4,
51.03, 56.1, 51.13, 51.12, 52.4

(56) **References Cited**

U.S. PATENT DOCUMENTS

4,986,220	A	*	1/1991	Reneau et al.	119/57.91
D326,741	S	*	6/1992	Powers	D30/121
D373,659	S	*	9/1996	Miller	D30/121
D397,527	S	*	8/1998	Bruder et al.	D30/121
6,510,813	B1	*	1/2003	Boone, Jr.	119/57.19

* cited by examiner

Primary Examiner—Pamela Burgess

(74) *Attorney, Agent, or Firm*—McKee, Voorhees & Sease,
P.L.C.

(57) **CLAIM**

I claim the ornamental design for a wildlife feeder, substantially as shown and described.

DESCRIPTION

FIG. 1 is a front perspective view of a wildlife feeder showing my new design;

FIG. 2 is a top plan view thereof;

FIG. 3 is a bottom plan view thereof;

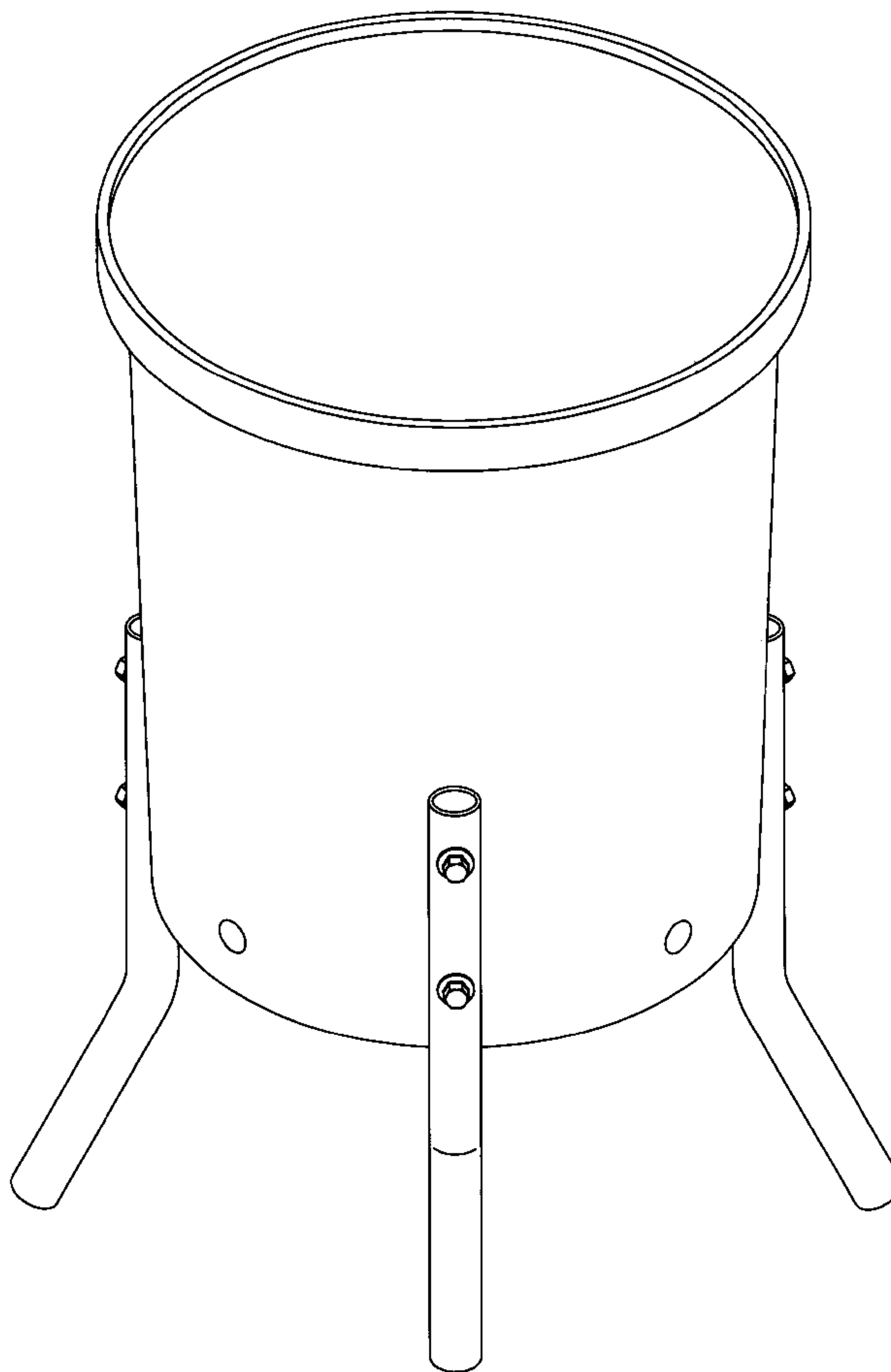
FIG. 4 is a front perspective view of a second embodiment of a wildlife feeder showing my new design;

FIG. 5 is a top plan view thereof; and,

FIG. 6 is a bottom plan view thereof.

The broken lines shown in FIGS. 4 and 5 are for illustrative purposes only and form no part of the claimed design.

1 Claim, 4 Drawing Sheets



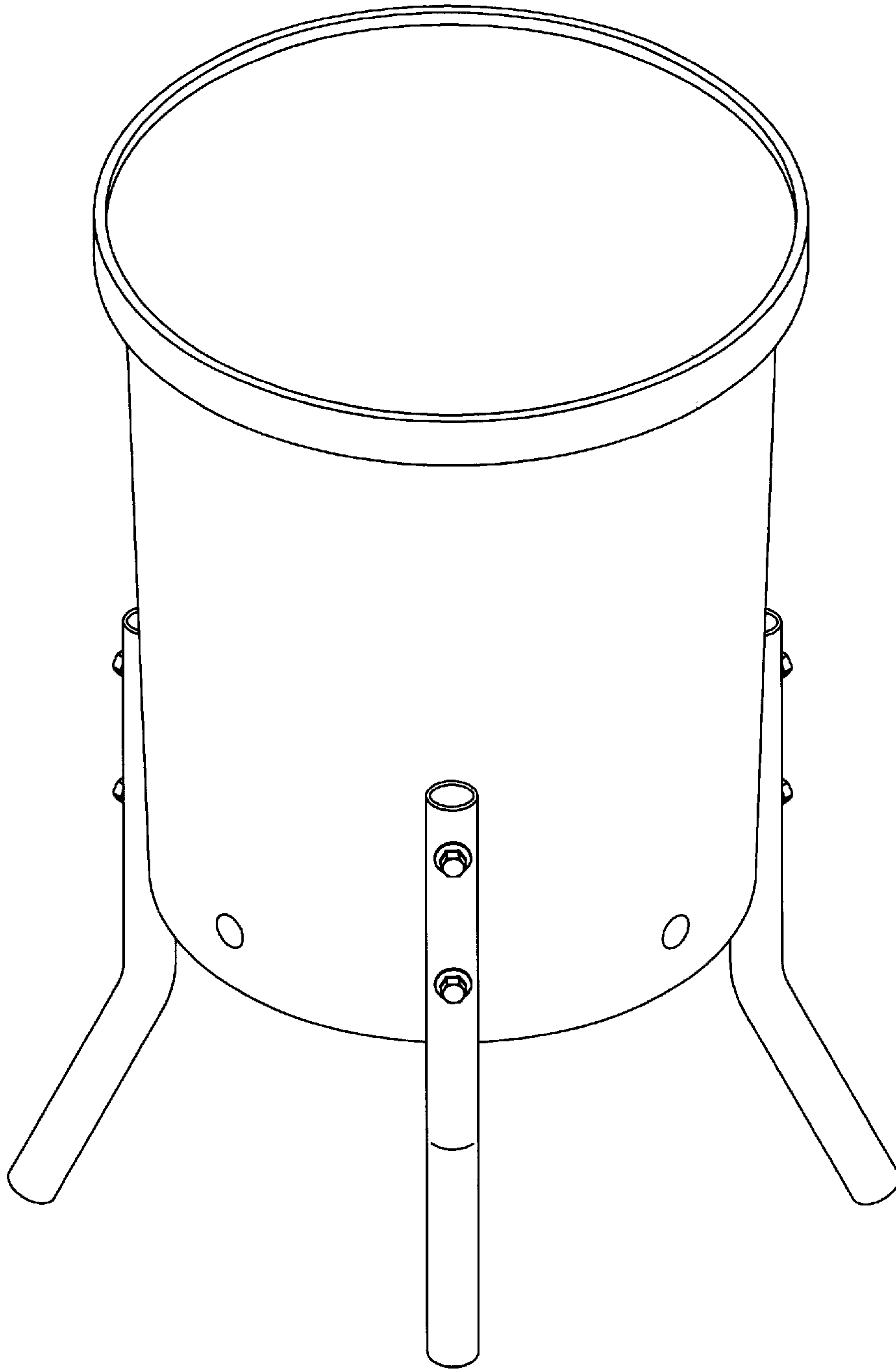


Fig. 1

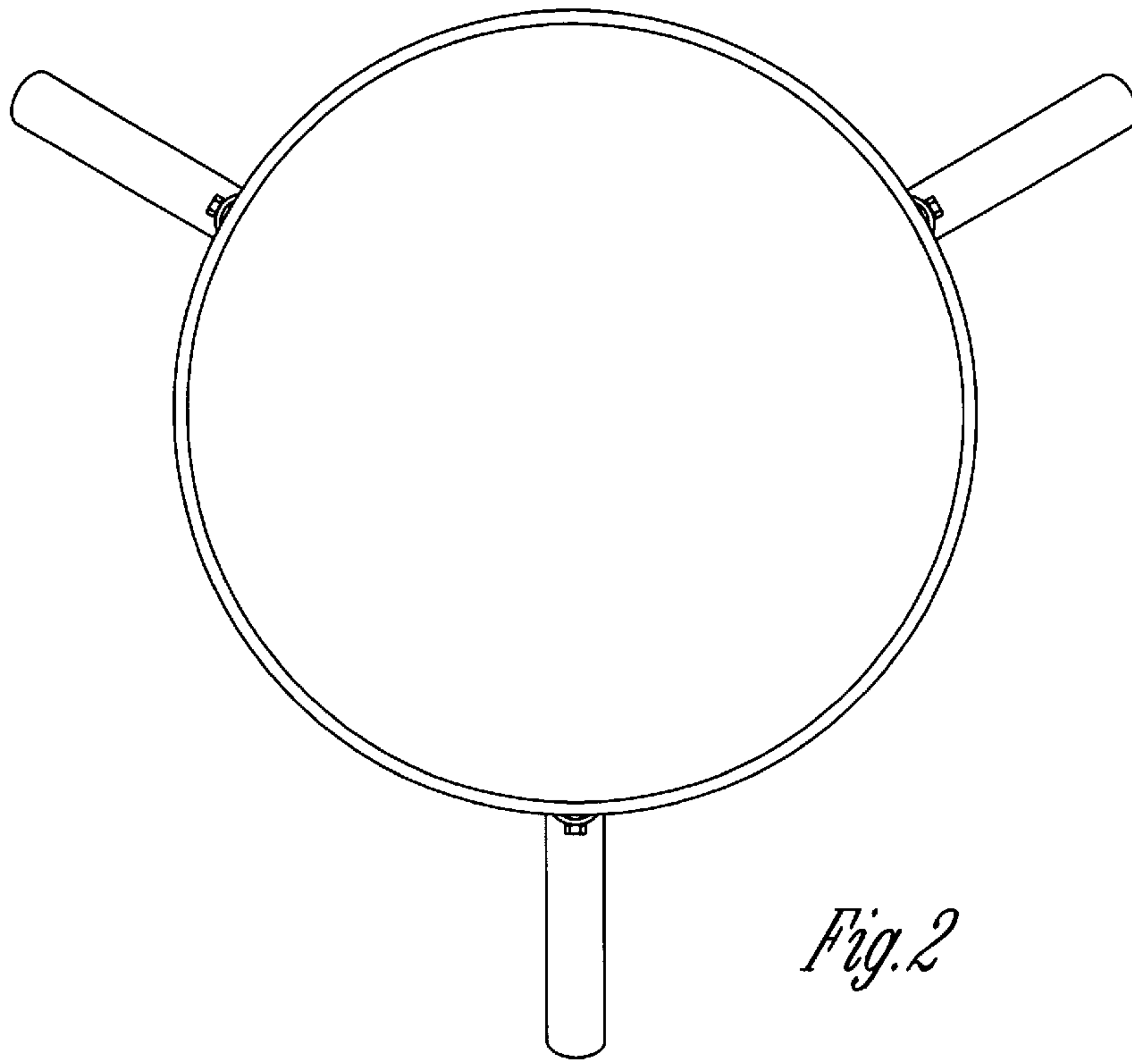


Fig. 2

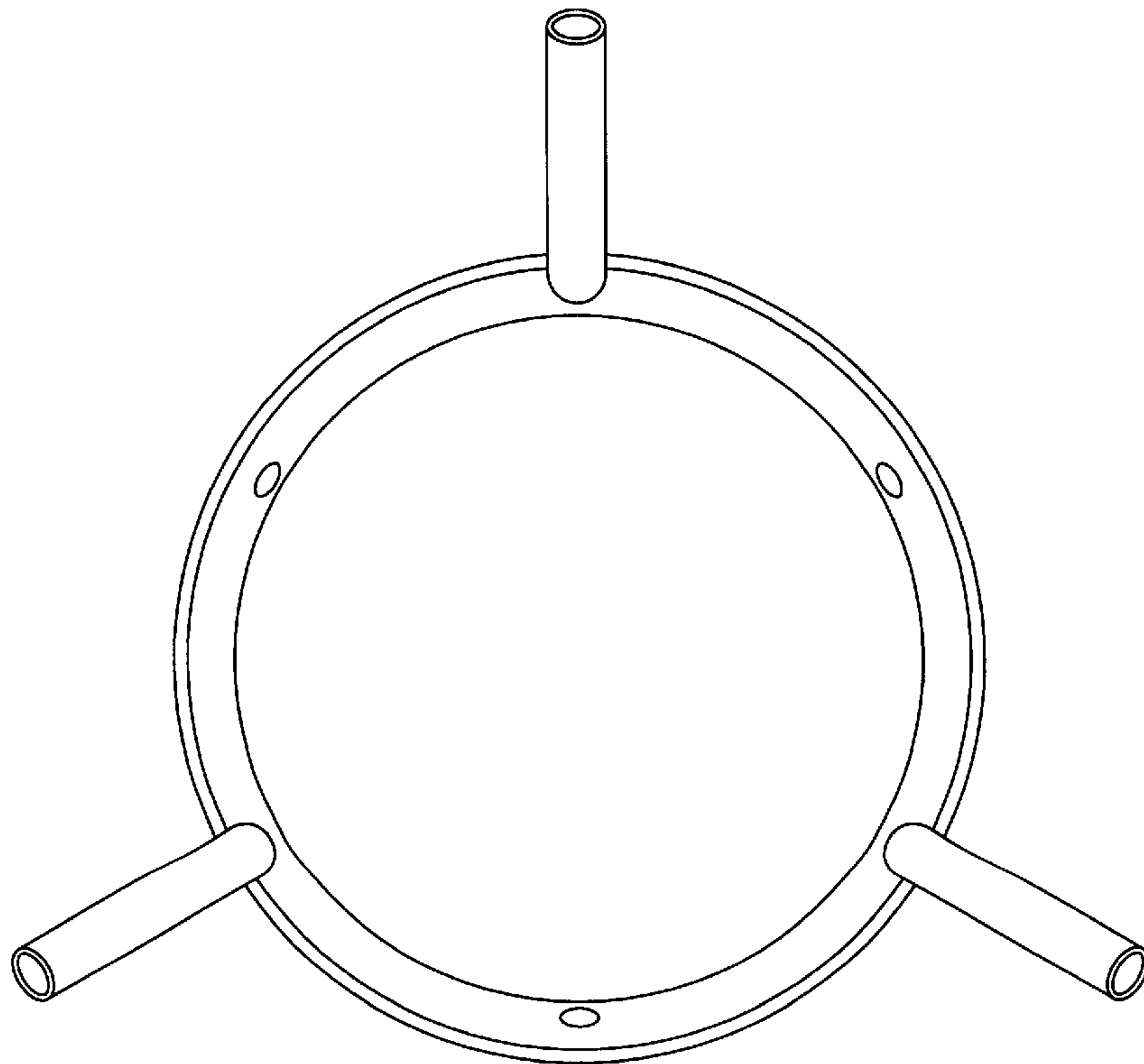


Fig. 3

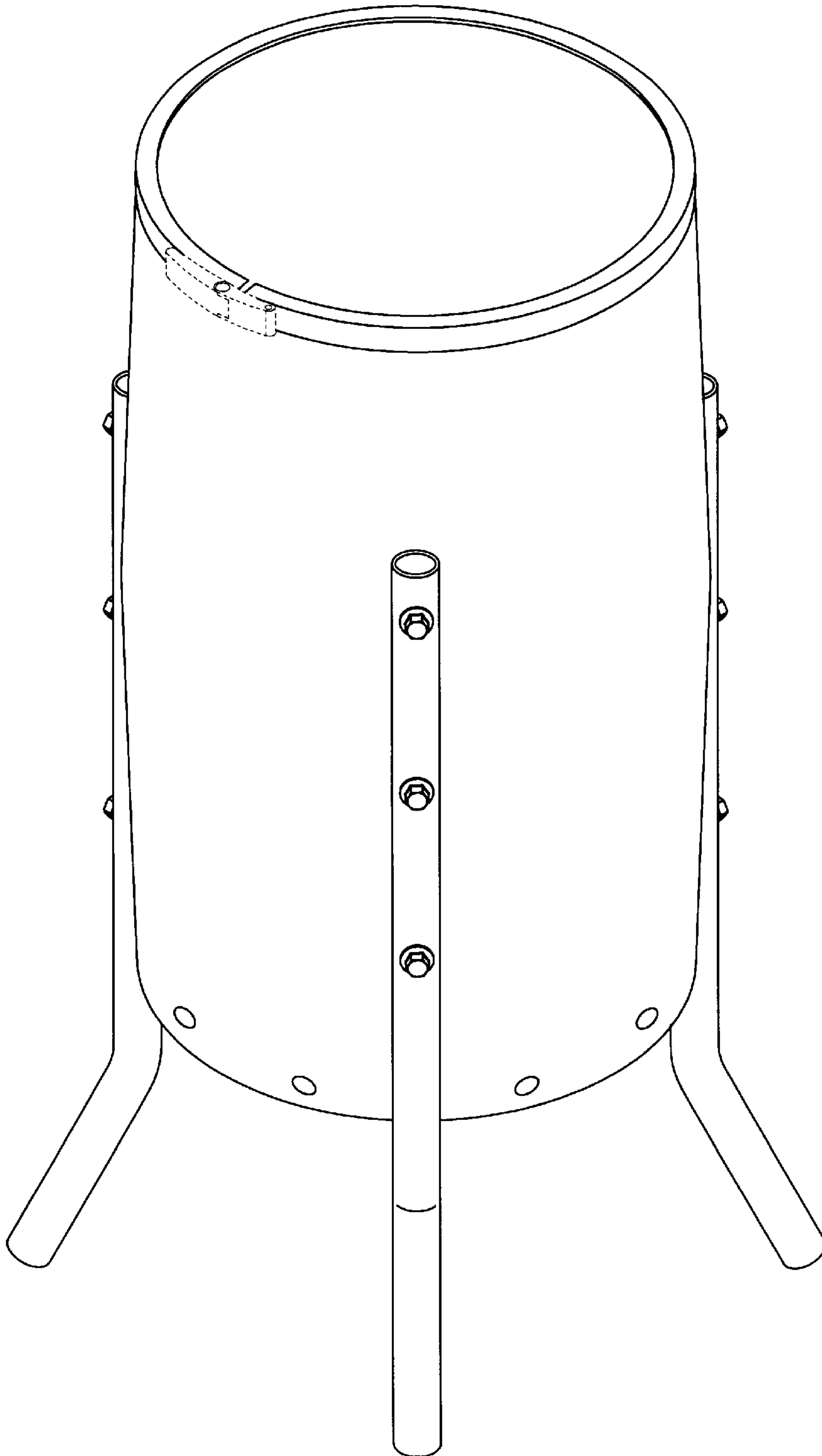


Fig. 4

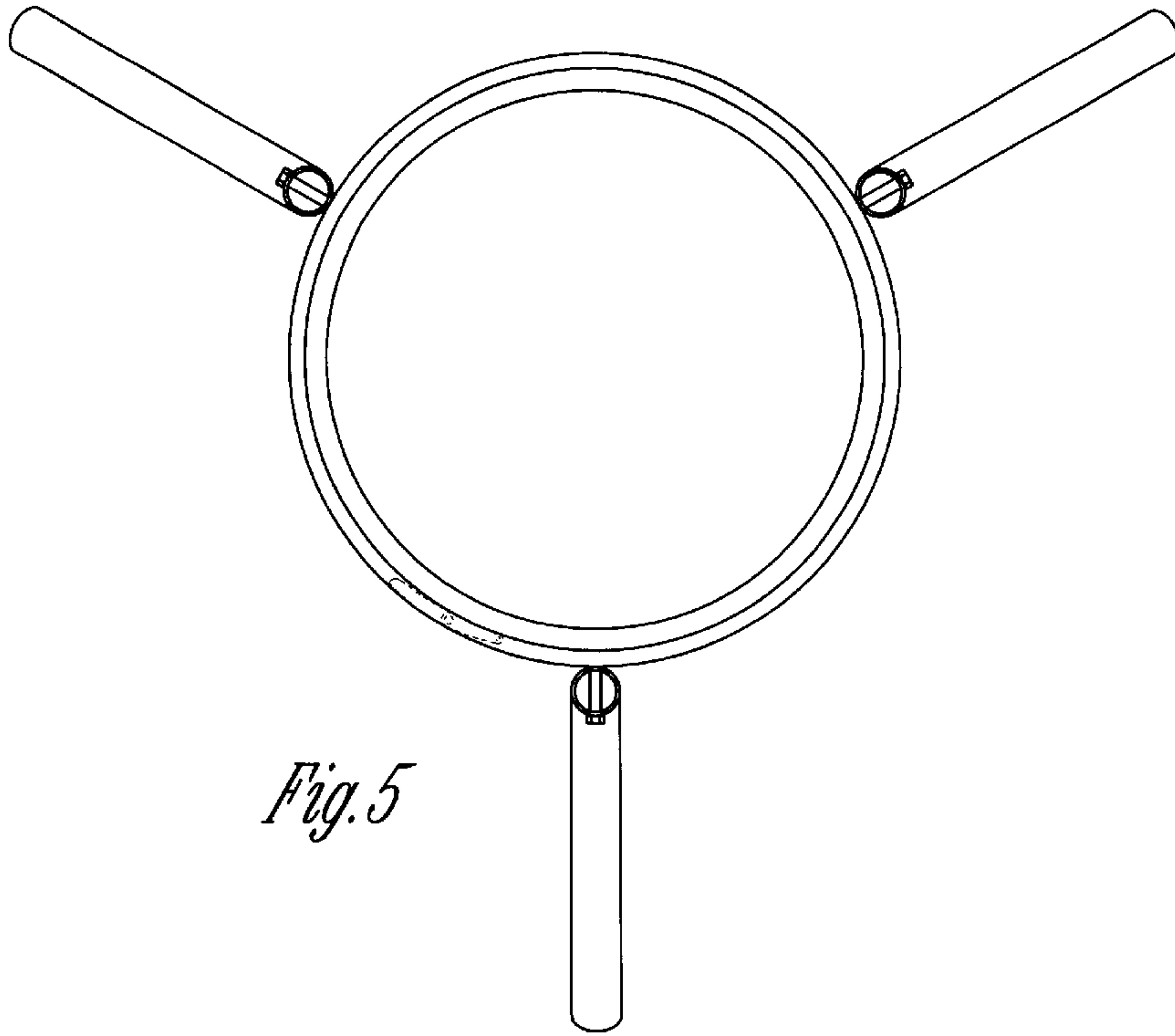


Fig. 5

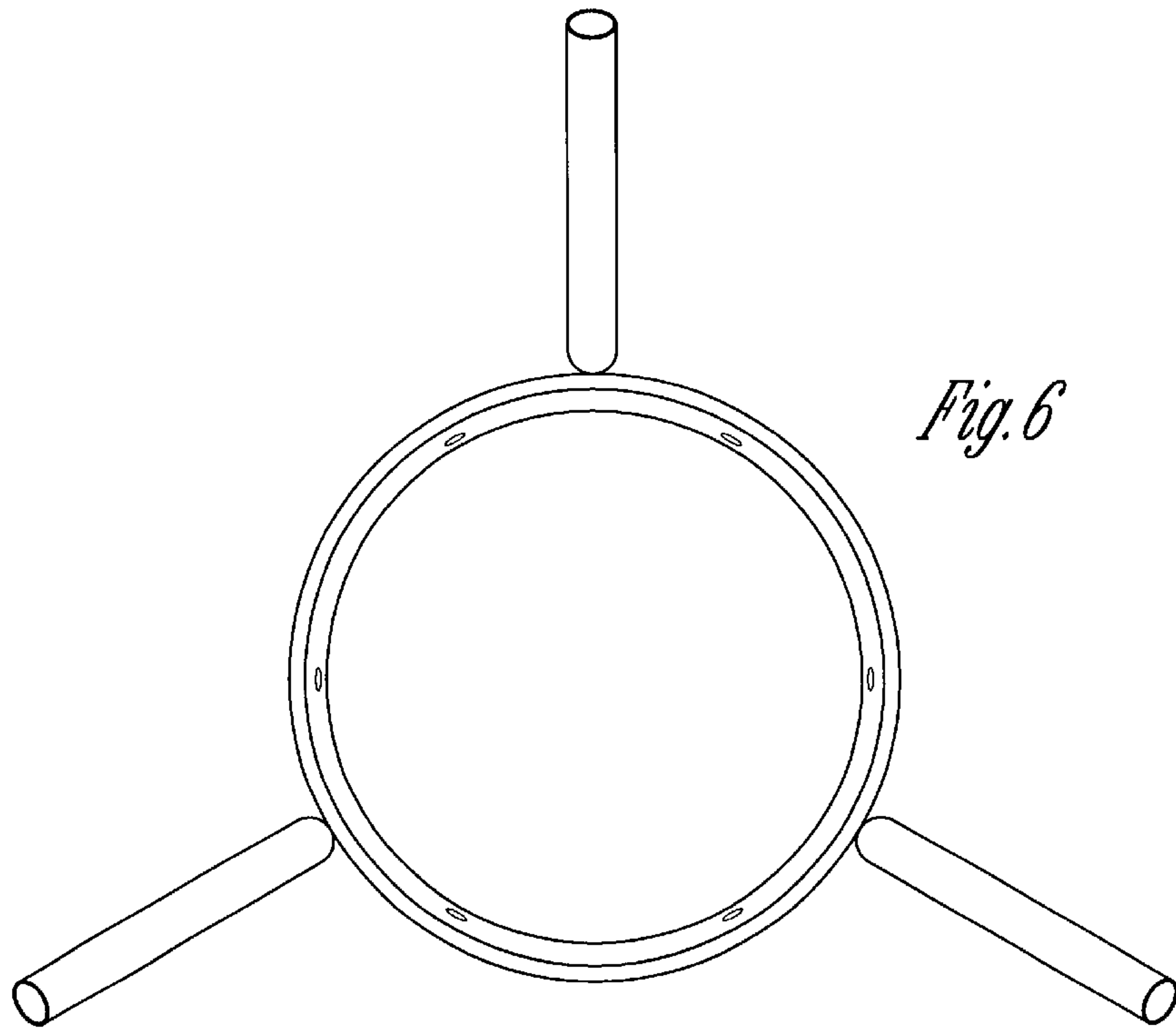


Fig. 6