



US00D488885S

(12) **United States Design Patent**
Wong

(10) **Patent No.:** **US D488,885 S**

(45) **Date of Patent:** **** Apr. 20, 2004**

(54) **TORCH NOZZLE FOR LIGHTER**

(75) Inventor: **Ming King Wong**, North Point (HK)

(73) Assignee: **Ming Wide Lighter Group Co., Ltd.**,
North Point (HK)

(**) Term: **14 Years**

(21) Appl. No.: **29/179,621**

(22) Filed: **Apr. 11, 2003**

(51) **LOC (7) Cl.** **27-05**

(52) **U.S. Cl.** **D27/161**

(58) **Field of Search** D27/161; 431/257,
431/278, 280, 283, 284, 344

(56) **References Cited**

U.S. PATENT DOCUMENTS

6,068,467	A *	5/2000	Mandai et al.	431/284
6,537,062	B1 *	3/2003	Wong et al.	431/278
2002/0064741	A1 *	5/2002	Bartenbach et al.	431/278
2002/0197579	A1 *	12/2002	Wong	431/257

* cited by examiner

Primary Examiner—Jennifer Rivard

(74) *Attorney, Agent, or Firm*—Raymond Y. Chan; David and Raymond Patent Group

(57) **CLAIM**

The ornamental design for a torch nozzle for lighter, as shown and described.

DESCRIPTION

FIG. 1 is a perspective view of my new design.

FIG. 2 is a front view thereof.

FIG. 3 is a rear view thereof.

FIG. 4 is a left end view thereof.

FIG. 5 is a right end view thereof.

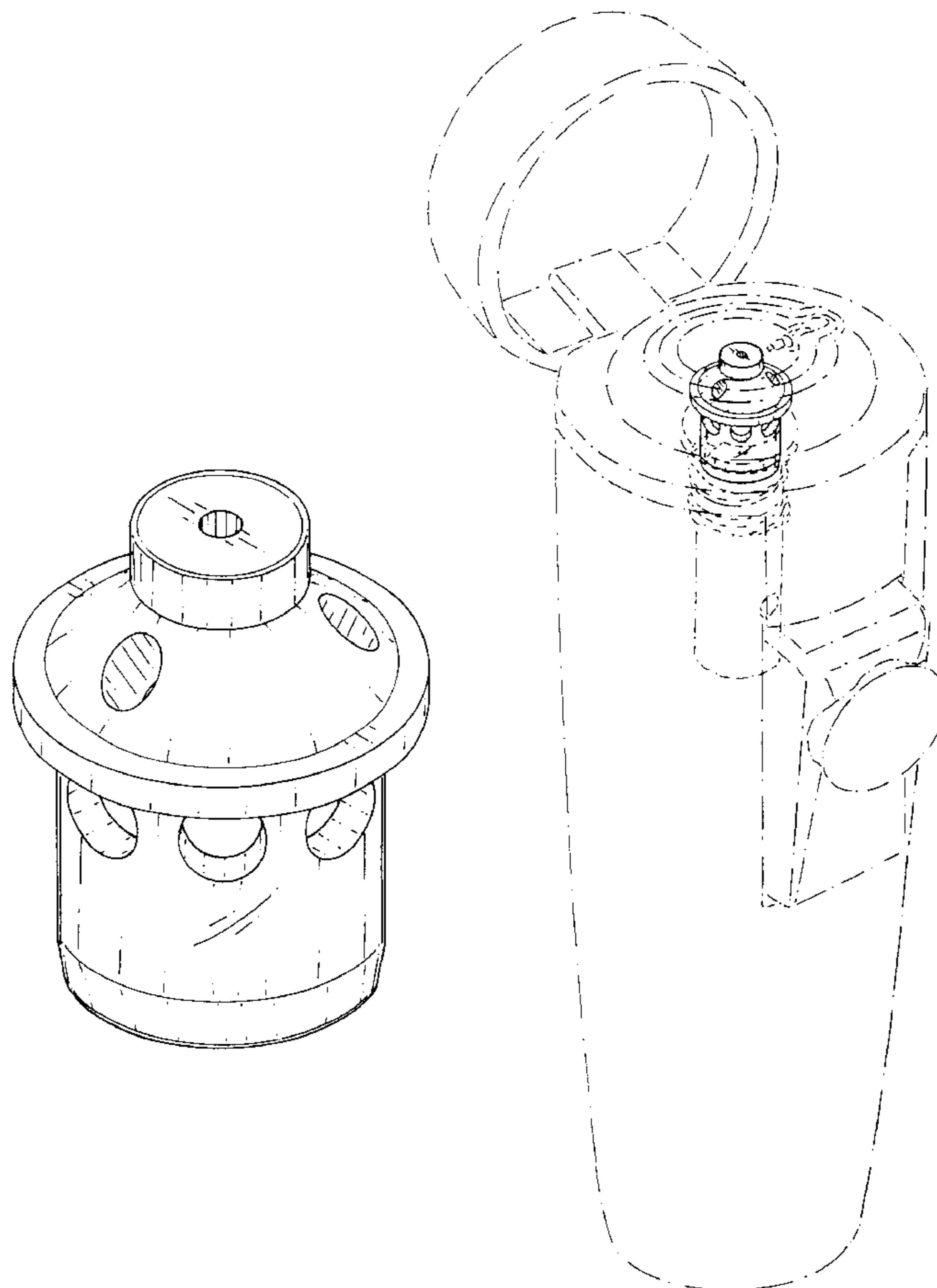
FIG. 6 is a top view thereof.

FIG. 7 is a bottom view thereof; and,

FIG. 8 is another perspective view of my new design, wherein the action figure is illustrated in an open condition.

The broken line environmental showing is for illustrative purposes only and forms no part of the claimed design.

1 Claim, 8 Drawing Sheets



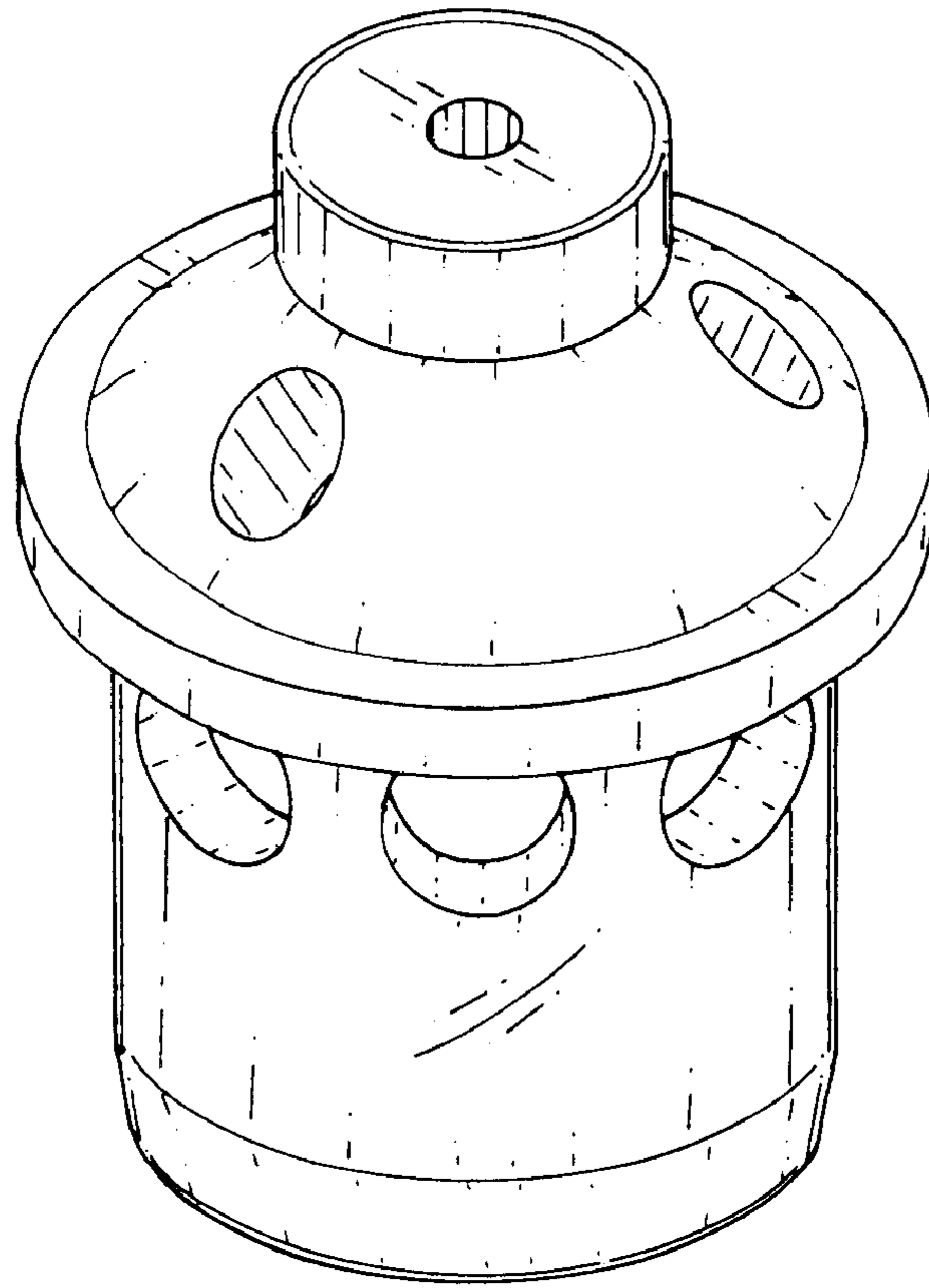


FIG. 1

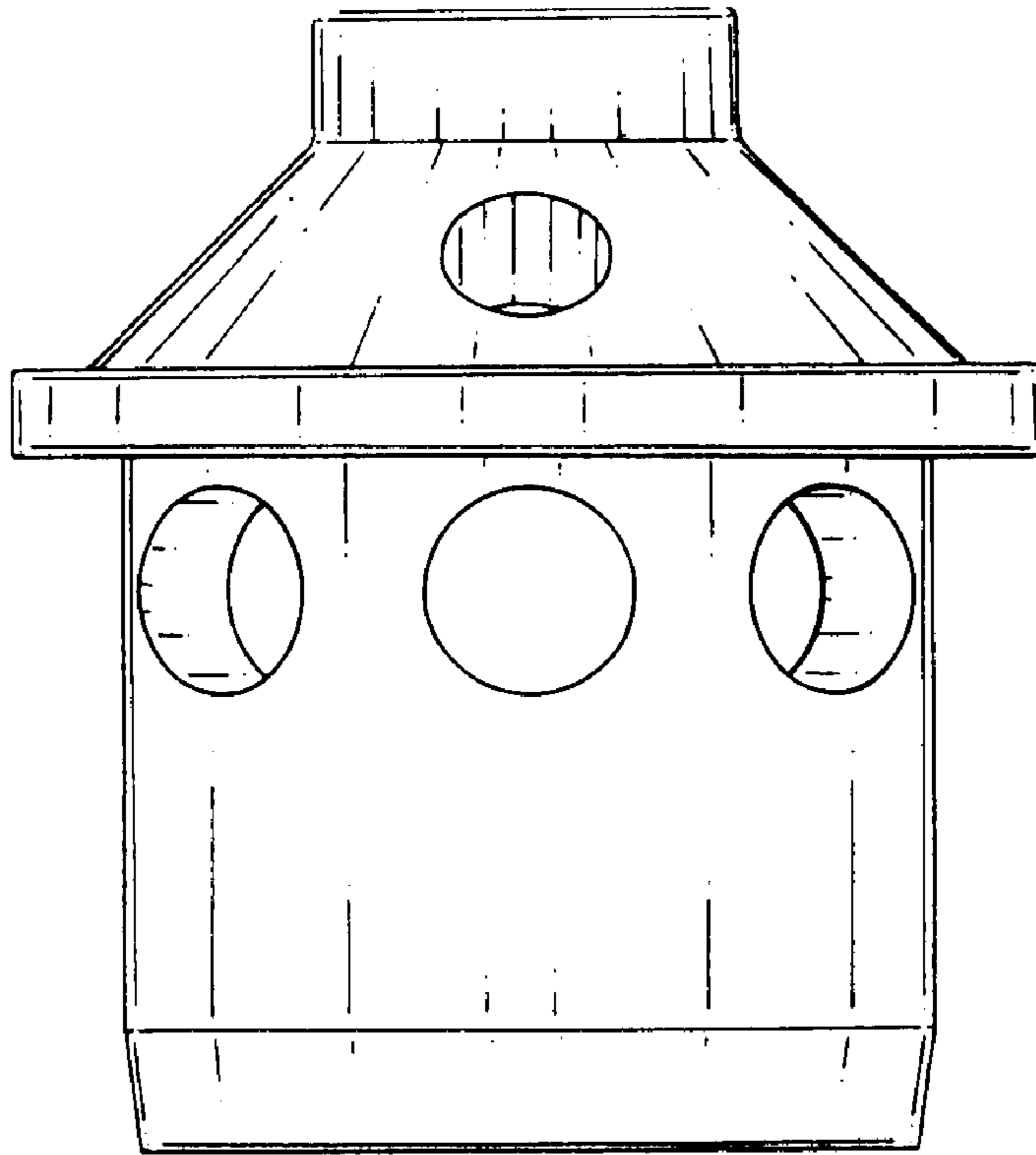


FIG. 2

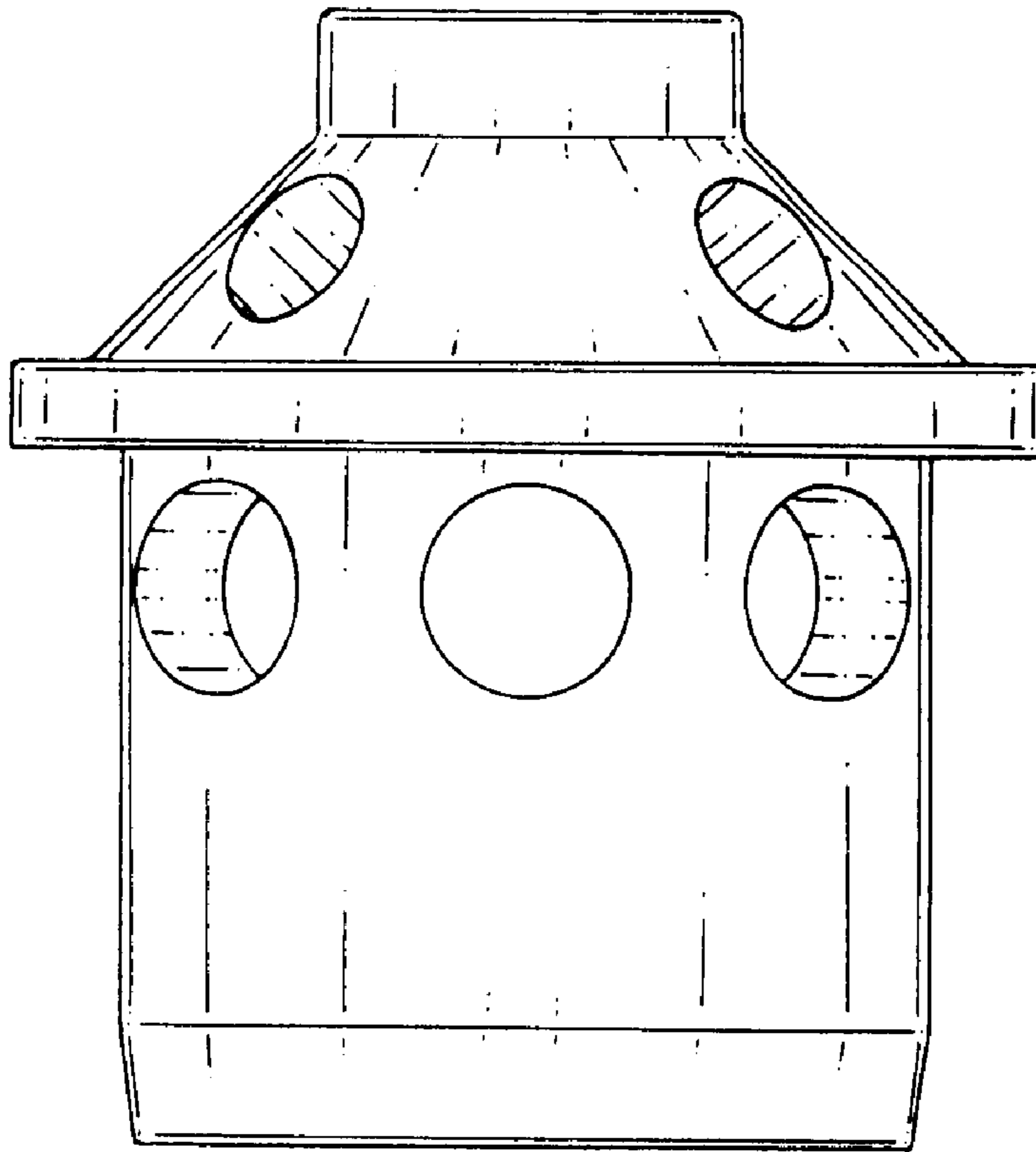


FIG. 3

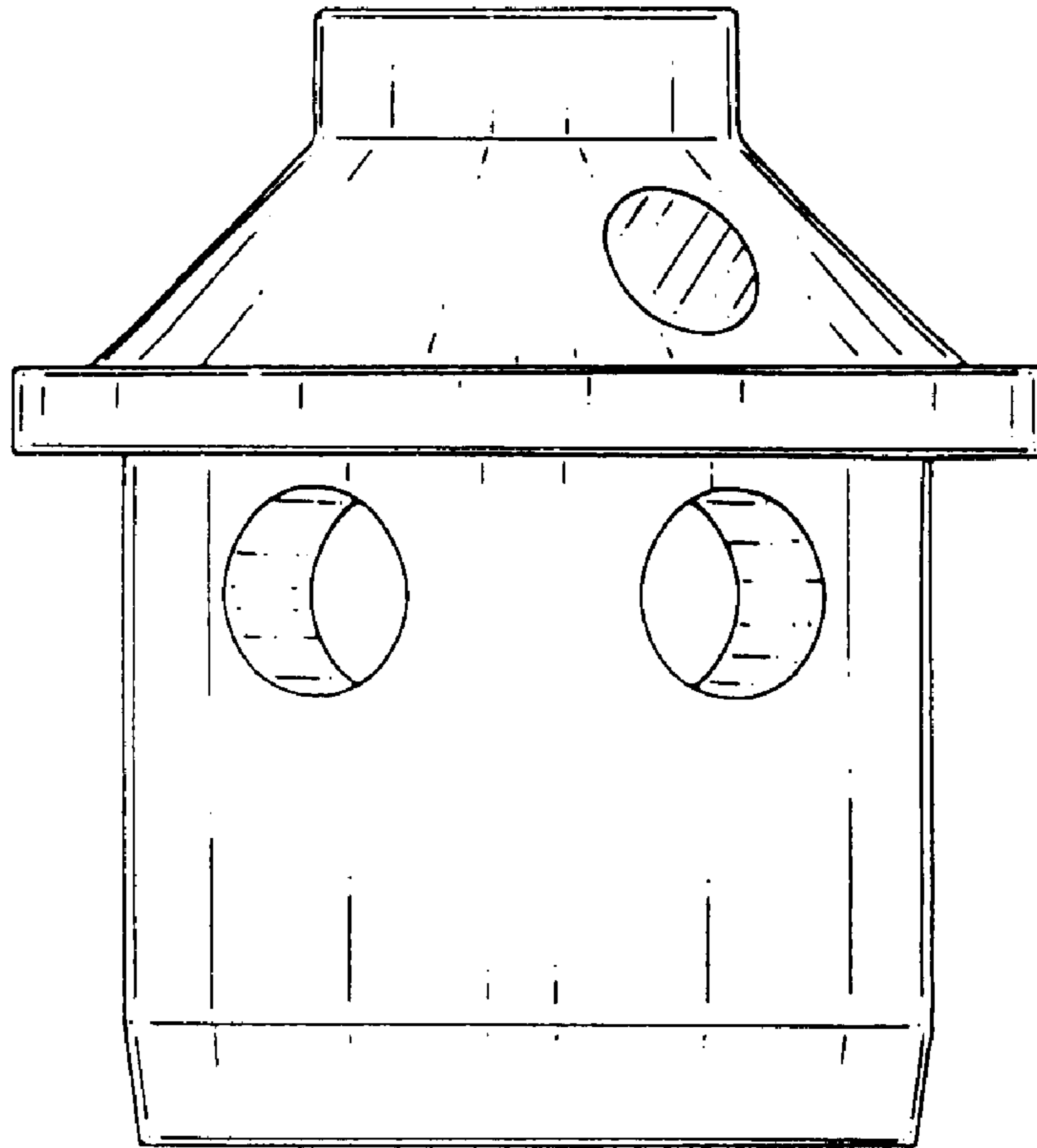


FIG. 4

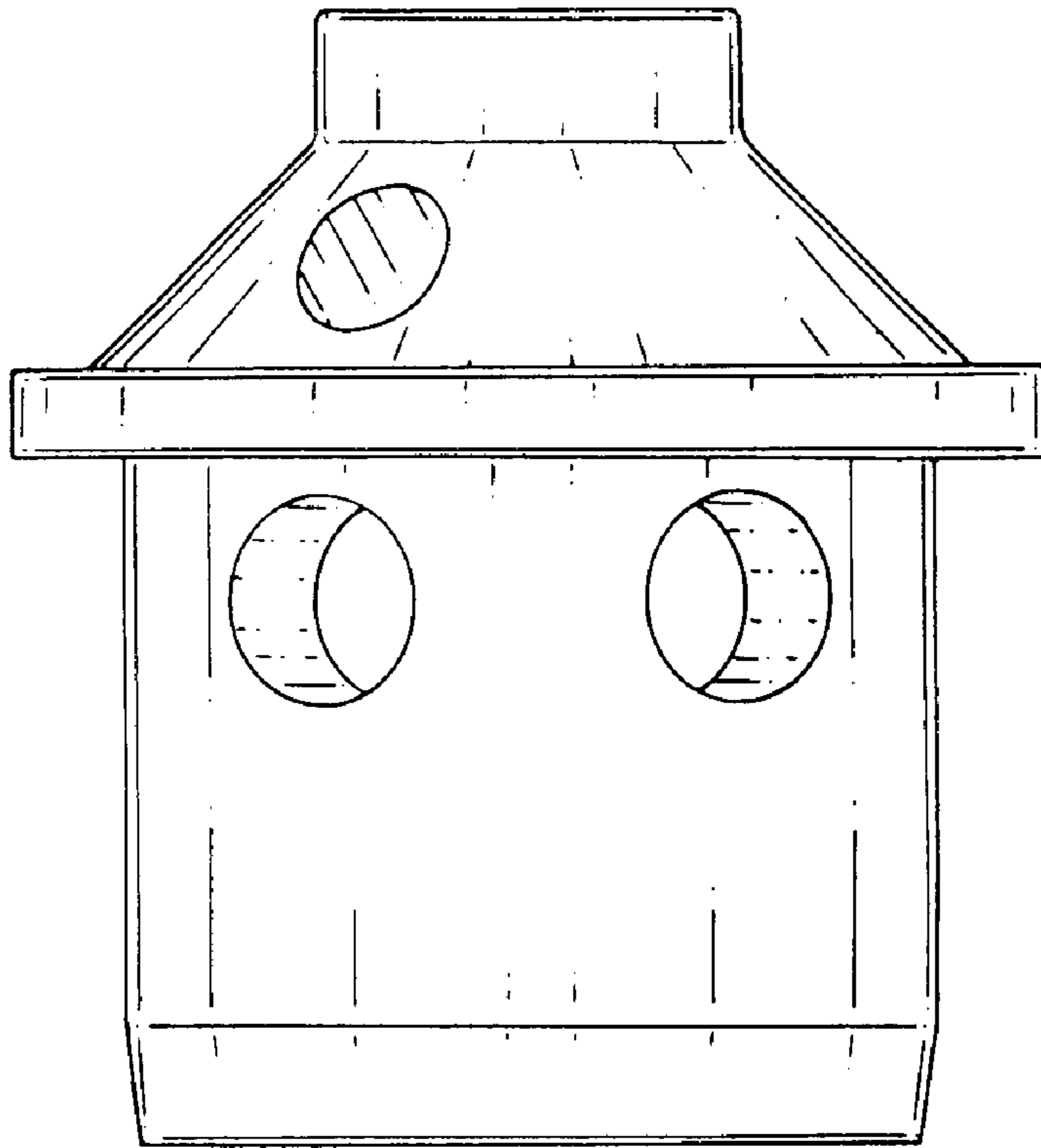


FIG. 5

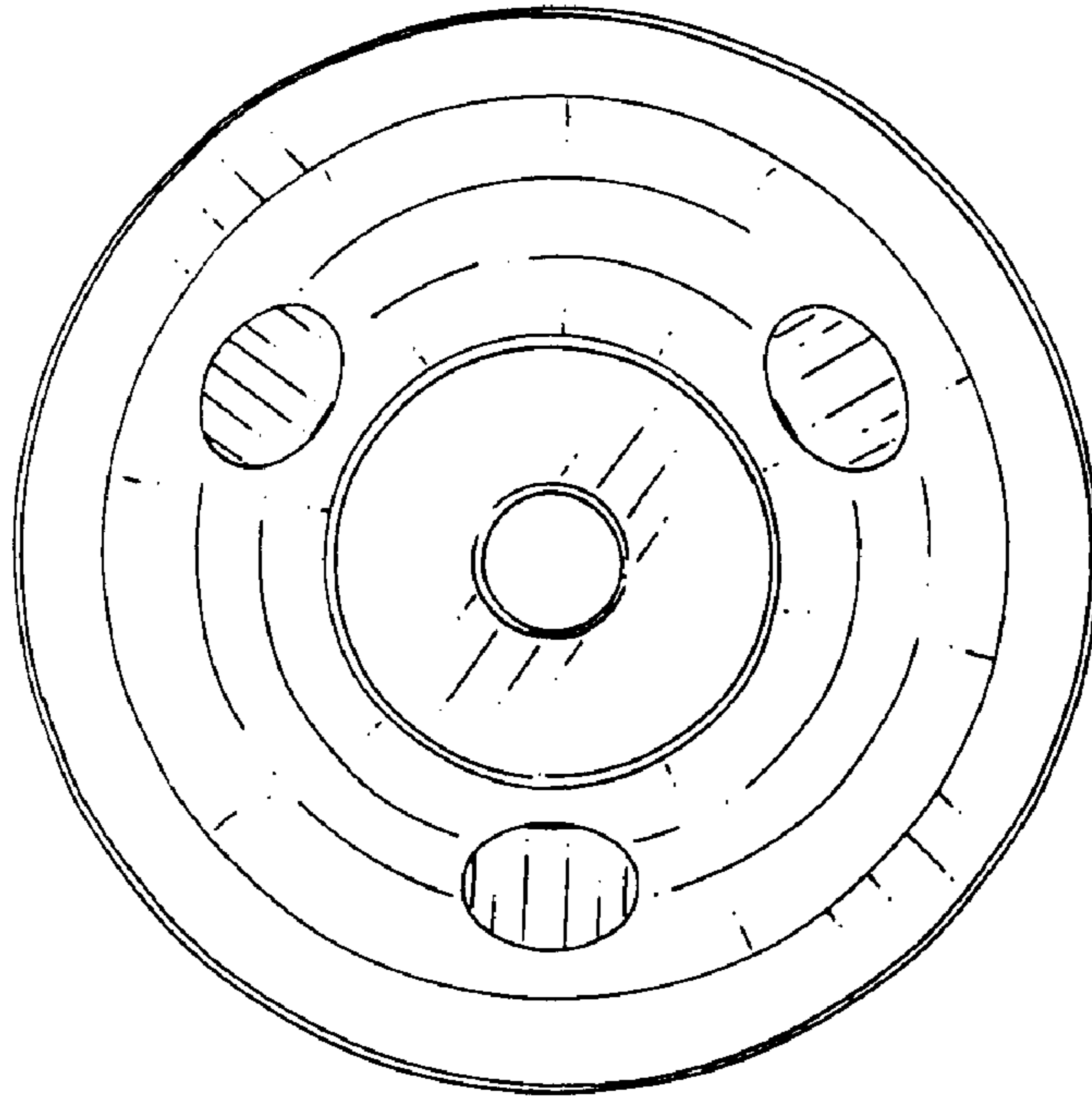


FIG. 6

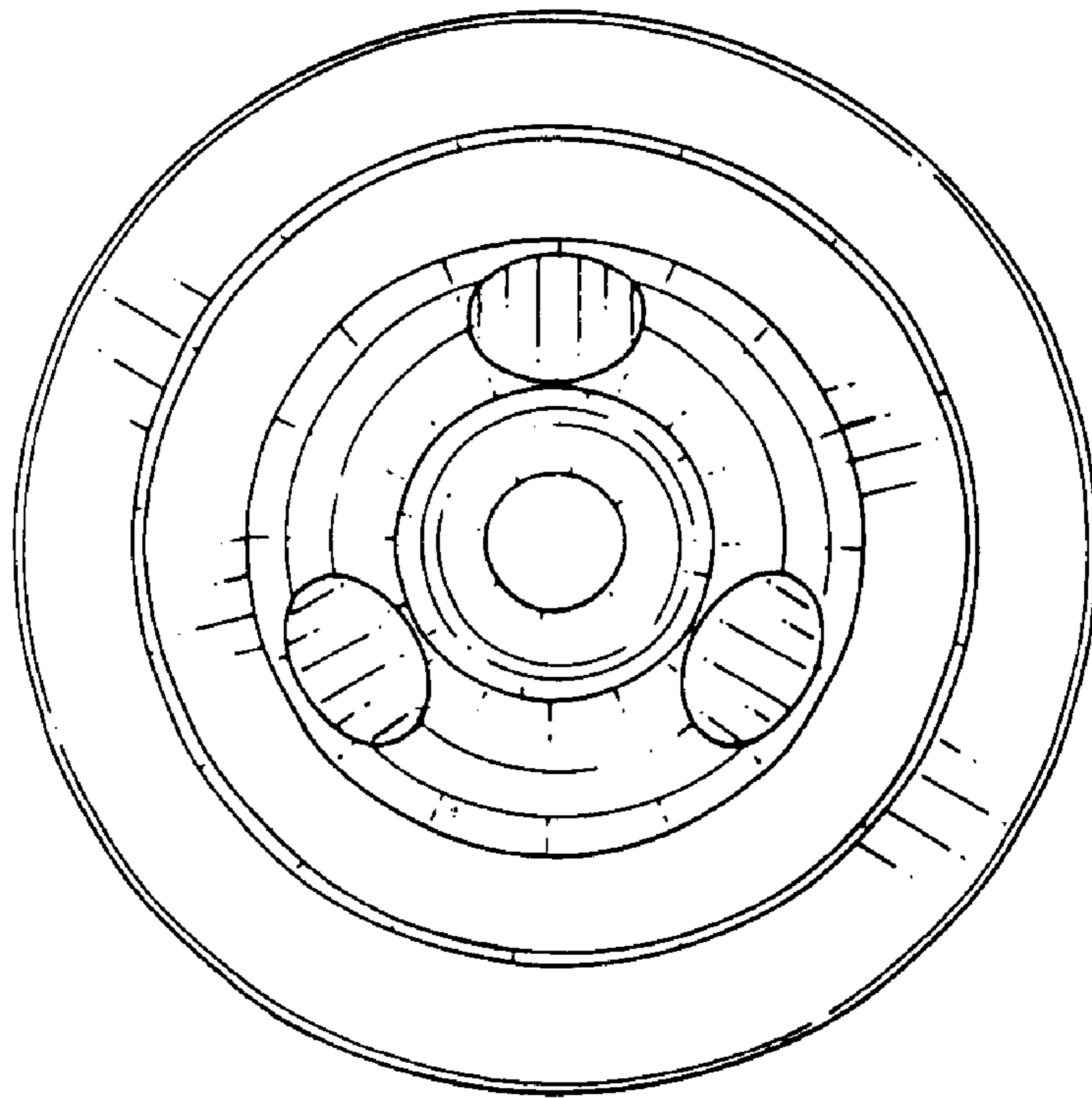


FIG. 7

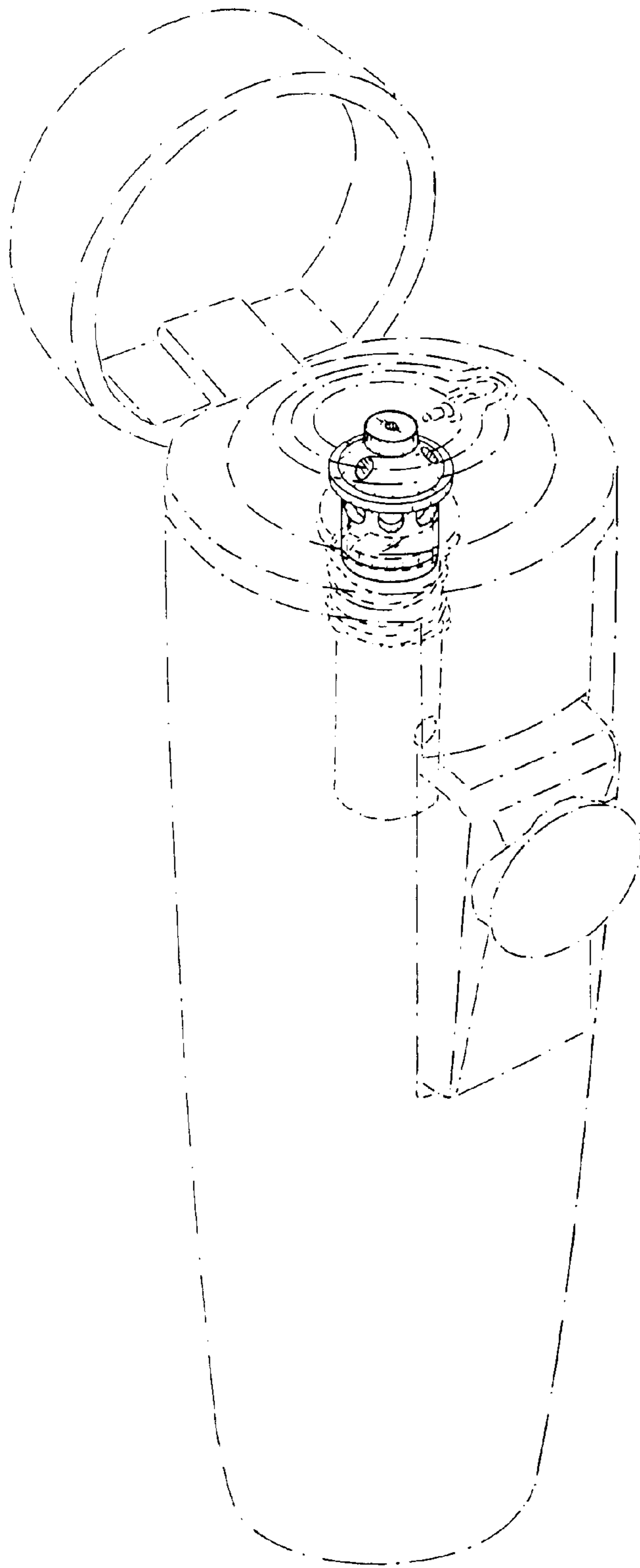


FIG. 8