



US00D488880S

(12) **United States Design Patent**  
**Rahn**

(10) **Patent No.:** **US D488,880 S**

(45) **Date of Patent:** **\*\* Apr. 20, 2004**

(54) **HANGING LAMP**

(75) Inventor: **Erhard Rahn**, Berlin (DE)

(73) Assignee: **Franz Sill GmbH**, Berlin (DE)

(\*\*) Term: **14 Years**

(21) Appl. No.: **29/183,676**

(22) Filed: **Jun. 16, 2003**

(30) **Foreign Application Priority Data**

Mar. 20, 2003 (DE) ..... 4 03 02 517

(51) **LOC (7) Cl.** ..... **26-03**

(52) **U.S. Cl.** ..... **D26/72**

(58) **Field of Search** ..... D26/24, 67-73,  
D26/80, 86, 88, 90; 362/404-408, 147,  
370, 348, 350, 145, 153, 153.1, 186, 257,  
276, 312, 330, 351, 354, 358, 361-363,  
431-433, 806

(56) **References Cited**

**U.S. PATENT DOCUMENTS**

- D213,994 S \* 4/1969 Blaisdell et al. .... D26/67
- 3,662,165 A \* 5/1972 Osteen et al. .... 362/297
- D294,976 S \* 3/1988 Ewing ..... D26/85
- D368,974 S \* 4/1996 Belisle ..... D26/88
- D382,363 S \* 8/1997 Haugaard et al. .... D26/67

- D418,938 S \* 1/2000 McCartney et al. .... D26/88
- D433,526 S \* 11/2000 Minissi et al. .... D26/88
- D436,211 S \* 1/2001 Neeld et al. .... D26/85
- D450,406 S \* 11/2001 Knappstein ..... D26/72
- 6,494,596 B1 \* 12/2002 Burroughs ..... 362/348

**OTHER PUBLICATIONS**

Progress Lighting Product Catalog 124 (c)2000; p. 165; item P5029-13.\*

\* cited by examiner

*Primary Examiner*—Clare E. Heflin

(74) *Attorney, Agent, or Firm*—McGlew and Tuttle, P.C.

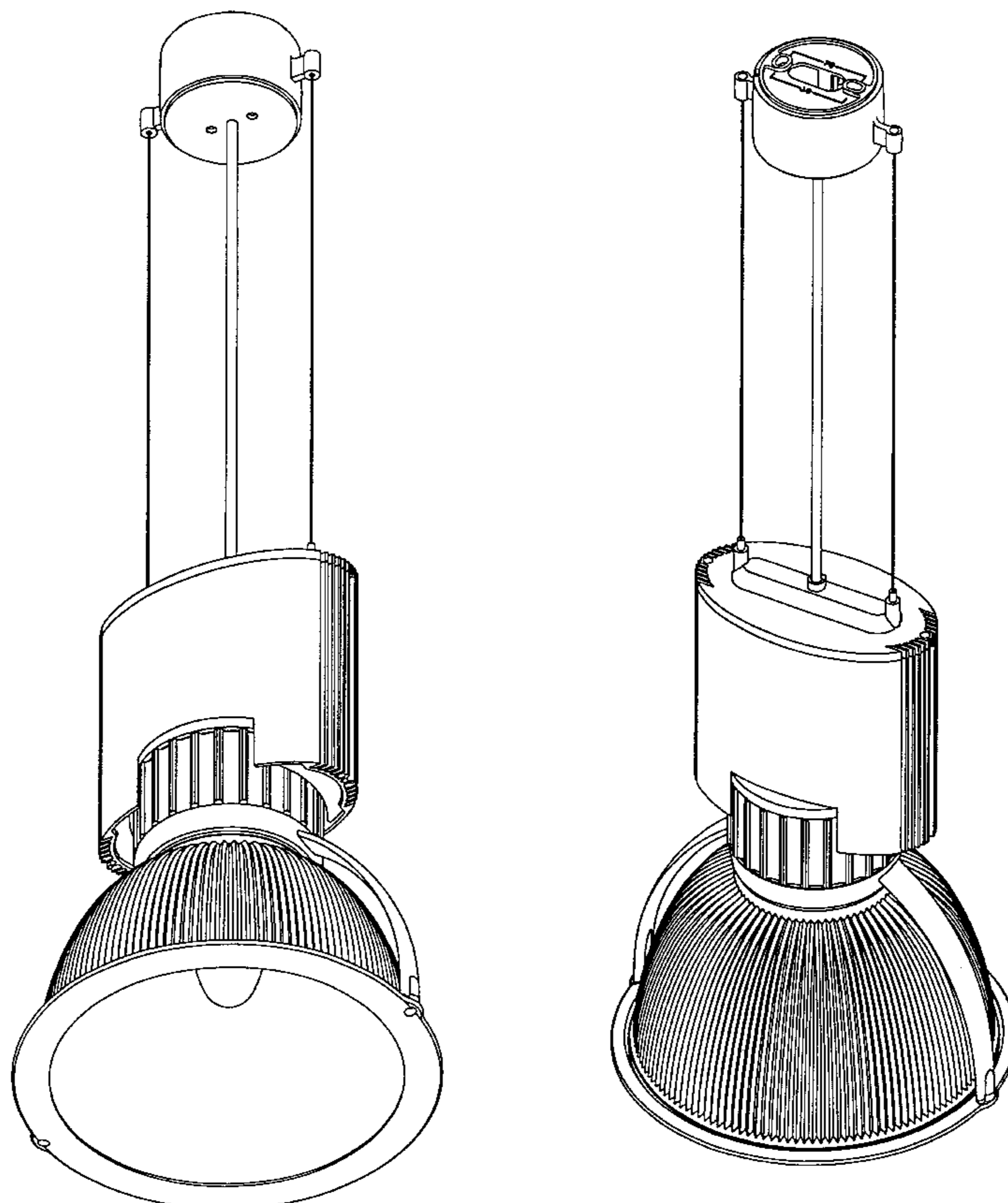
(57) **CLAIM**

The ornamental design for a hanging lamp, as shown and described.

**DESCRIPTION**

FIG. 1 is a bottom perspective view of my new hanging lamp design;  
 FIG. 2 is a top perspective view thereof;  
 FIG. 3 is a front view thereof (with the rear view being substantially the same);  
 FIG. 4 is a side view thereof (with the opposite side view being substantially the same);  
 FIG. 5 is an enlarged view thereof; and,  
 FIG. 6 is an enlarged bottom view thereof.

**1 Claim, 6 Drawing Sheets**



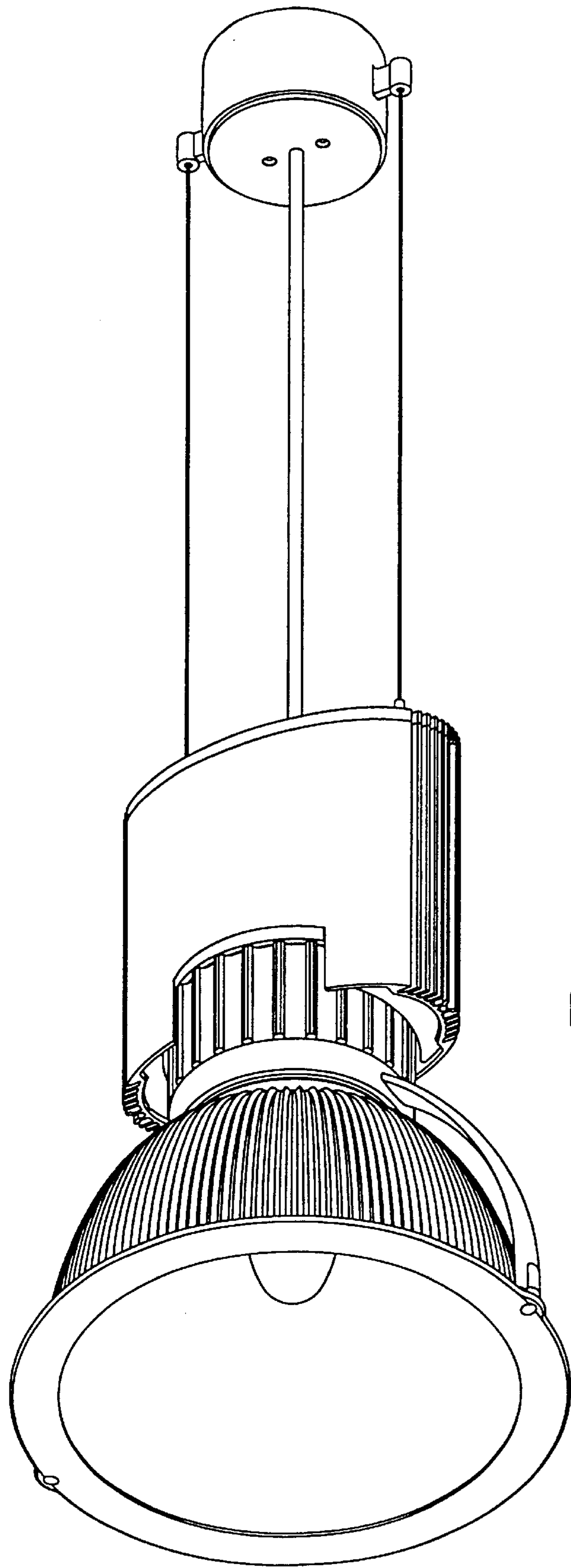


Fig. 1

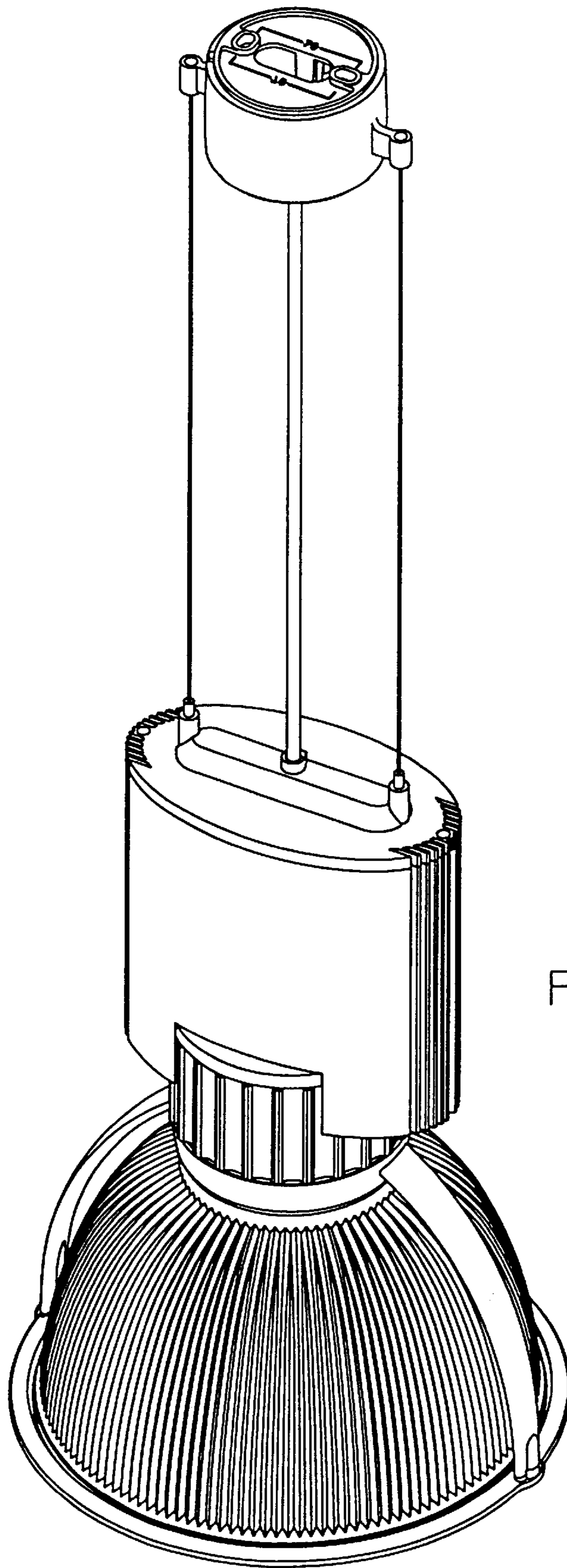


Fig. 2

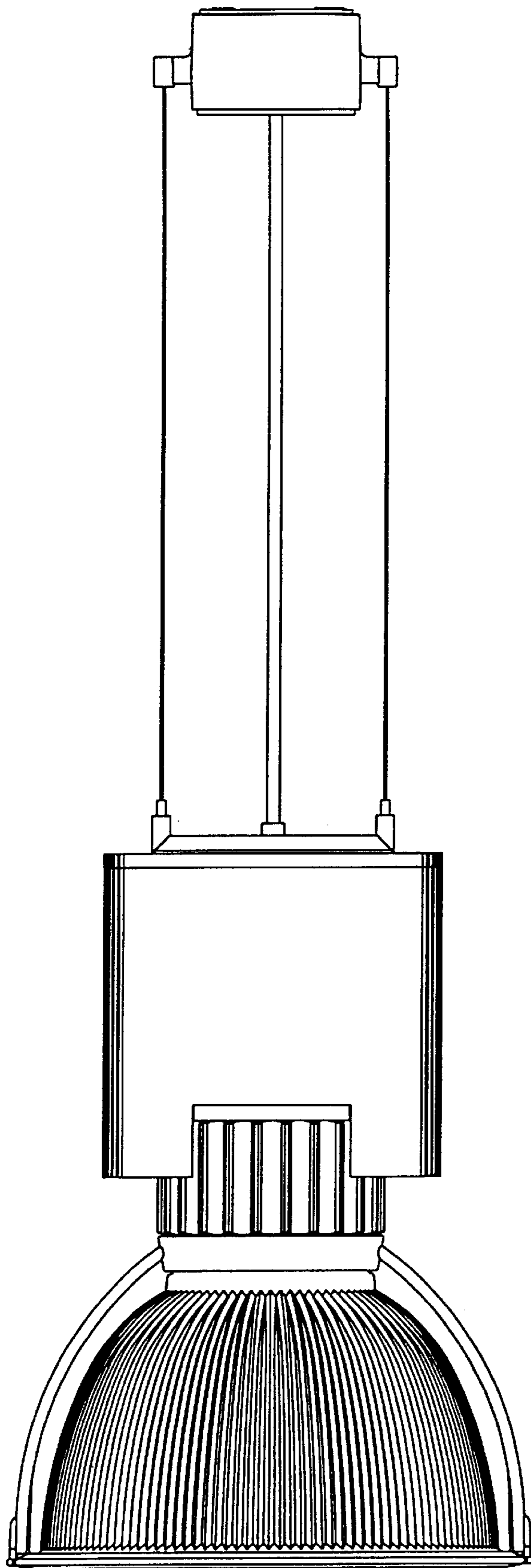


Fig. 3

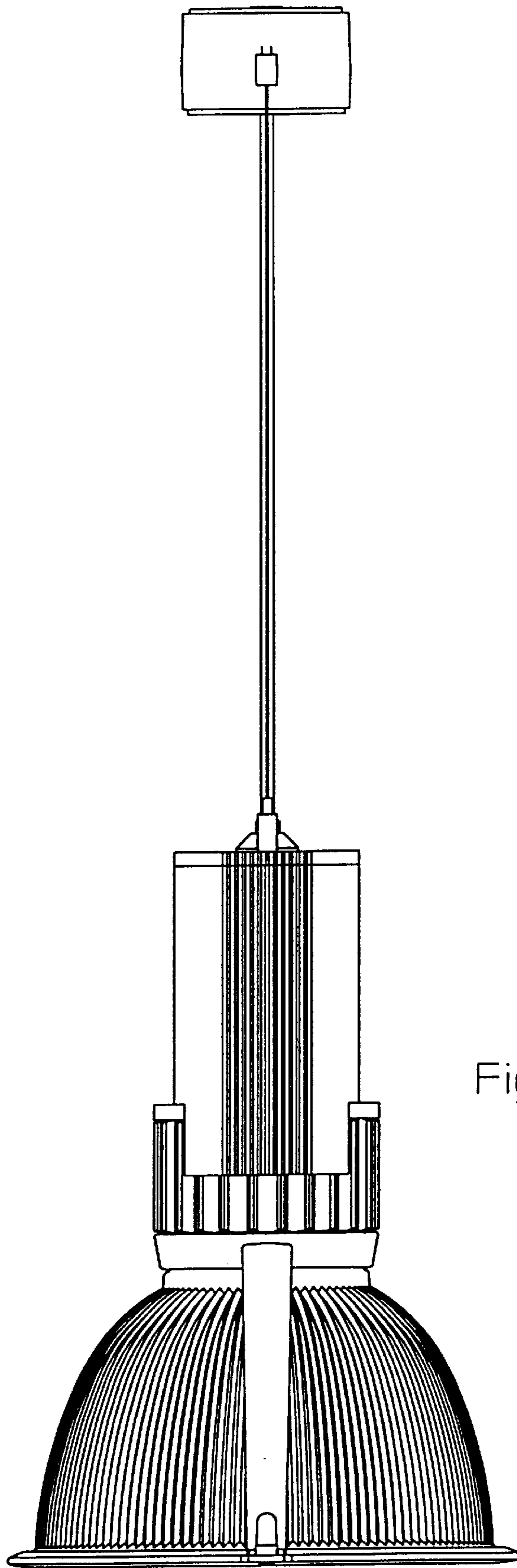
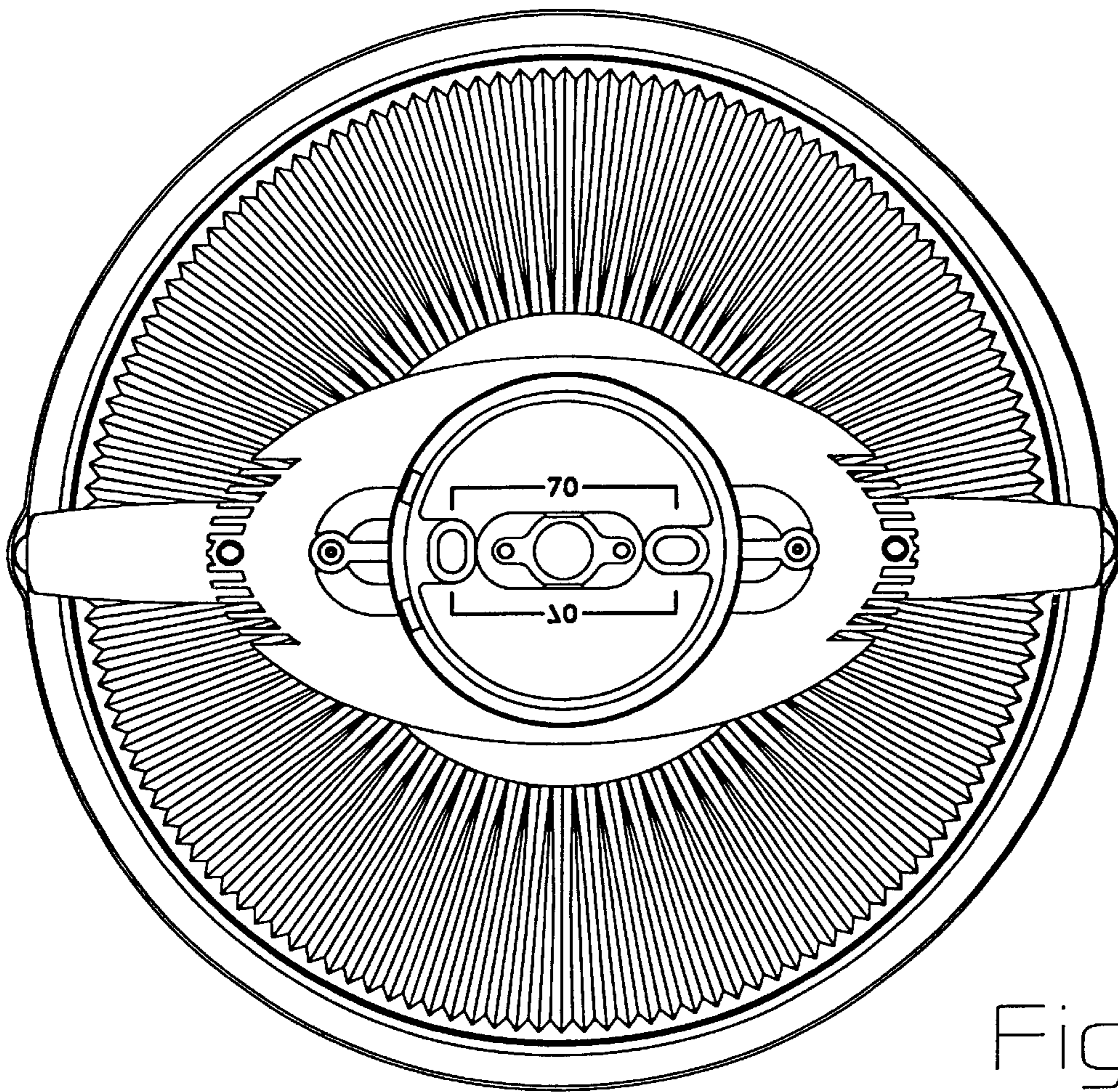


Fig. 4



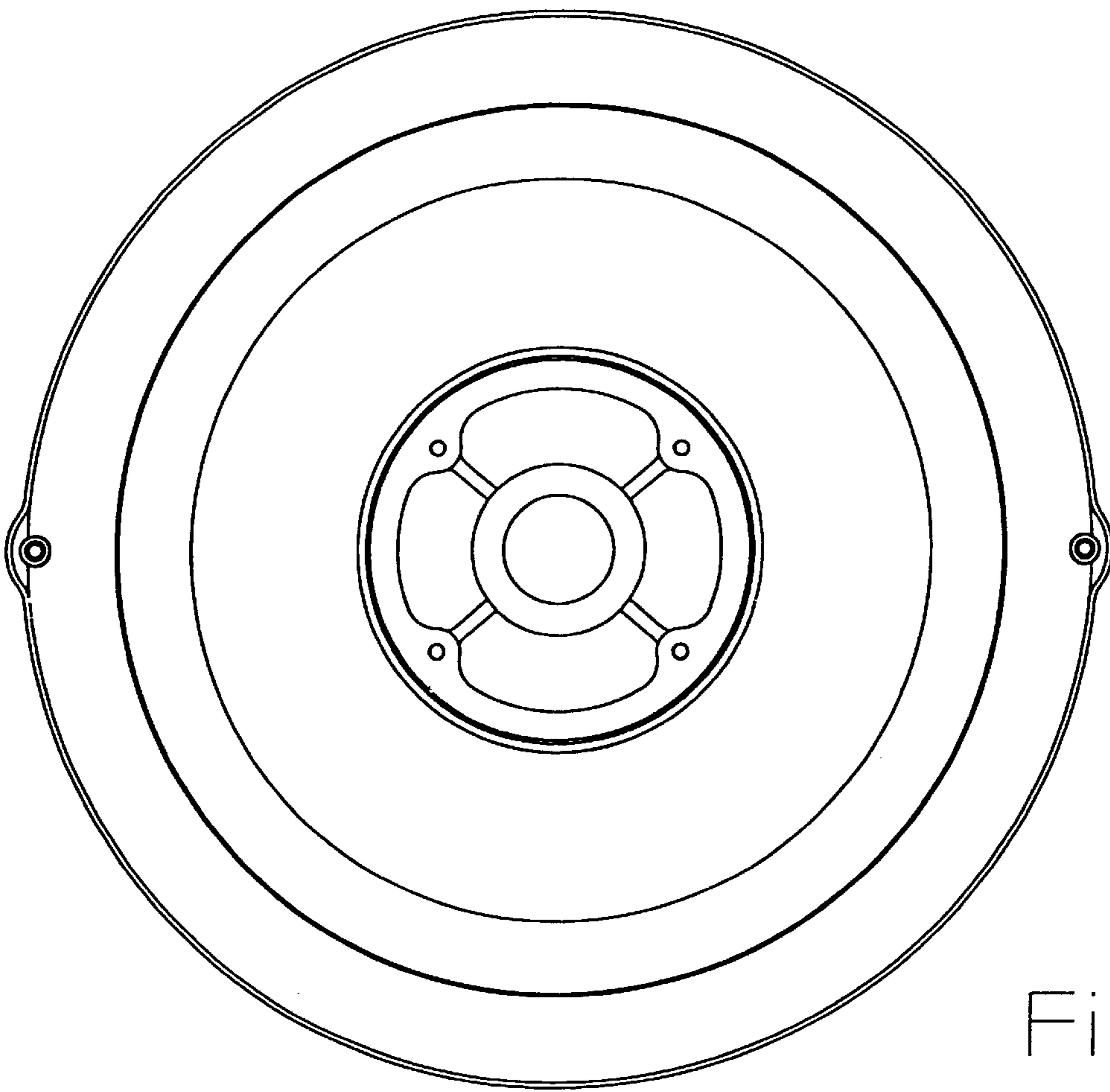


Fig. 6