



US00D488879S

(12) **United States Design Patent**
Brown et al.

(10) **Patent No.:** **US D488,879 S**

(45) **Date of Patent:** **** Apr. 20, 2004**

(54) **LIGHT HOUSING**

D466,639 S 12/2002 Kuelbs
D468,472 S * 1/2003 Mullally et al. D26/67

(75) Inventors: **Kevin T. Brown**, Austin, TX (US);
Preston A. Tatum, Martindale, TX (US)

* cited by examiner

(73) Assignee: **The Fountain People, Inc.**, San
Marcus, TX (US)

Primary Examiner—Clare E. Hefflin
(74) *Attorney, Agent, or Firm*—McKee, Voorhees & Sease,
P.L.C.

(**) Term: **14 Years**

(57) **CLAIM**

(21) Appl. No.: **29/180,796**

We claim the ornamental design for a light housing, sub-
stantially as shown and described.

(22) Filed: **Apr. 30, 2003**

DESCRIPTION

(51) **LOC (7) Cl.** **26-05**

(52) **U.S. Cl.** **D26/67; D26/72**

(58) **Field of Search** D26/24, 67-73,
D26/80, 82, 84-92, 128, 59; D10/114;
362/500, 806, 145, 147, 153, 153.1, 186,
257, 276, 312, 330, 351, 354, 358, 361-363,
431-433; 301/5, 301; 40/587

FIG. 1 is a perspective view of a light housing according to
the present invention except that it illustrates in broken lines
a water nozzle and general structure underneath the nozzle.
It illustrates the general possible environmental use of the
design.

(56) **References Cited**

U.S. PATENT DOCUMENTS

1,525,541	A	*	2/1925	Hall	362/354
D107,774	S	*	1/1938	Guth	D26/123
2,266,201	A	*	12/1941	Heidel	362/351
3,742,206	A	*	6/1973	Summa	362/276
4,381,537	A	*	4/1983	Hinrichs	362/500
D302,324	S	*	7/1989	Moran et al.	D26/59
D309,953	S	*	8/1990	Chien	D26/67
5,536,026	A	*	7/1996	Pozzobon et al.	362/500
6,116,762	A	*	9/2000	Kutlucinar	362/500

FIG. 2 is a top plan view of FIG. 1 except that it illustrates
in broken lines a water nozzle and general structure under-
neath the nozzle. It illustrates a general possible environ-
mental use of the design.

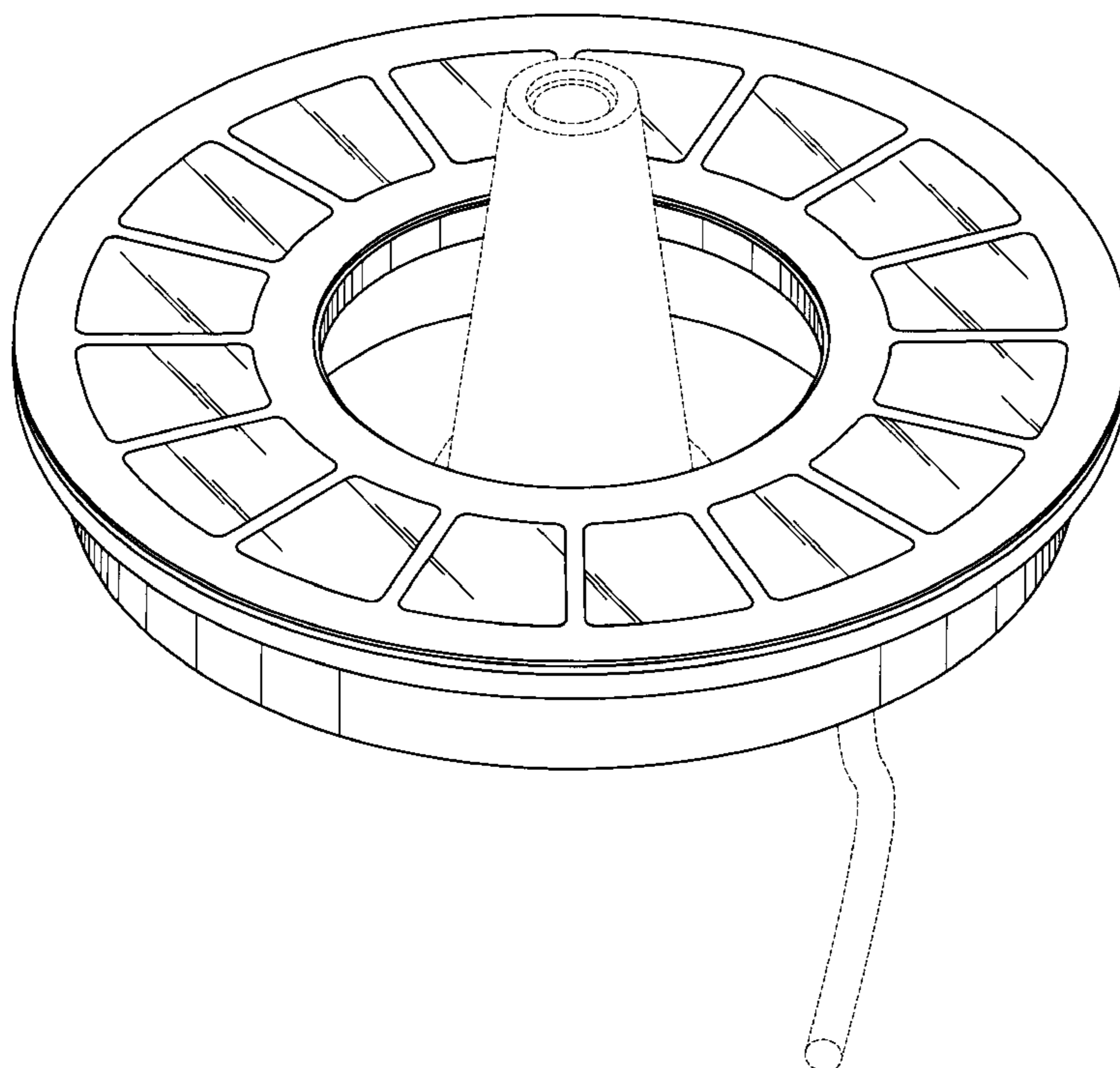
FIG. 3 is a front elevation of FIG. 1. A rear elevation would
be identical except the location of the electrical connecting
cord would be reversed.

FIG. 4 is a right side elevation of FIG. 1. A left side elevation
would be identical; and,

FIG. 5 is a bottom plan view of FIG. 1.

The broken lines shown in the drawings are for illustrative
purposes only and form no part of the claimed design.

1 Claim, 4 Drawing Sheets



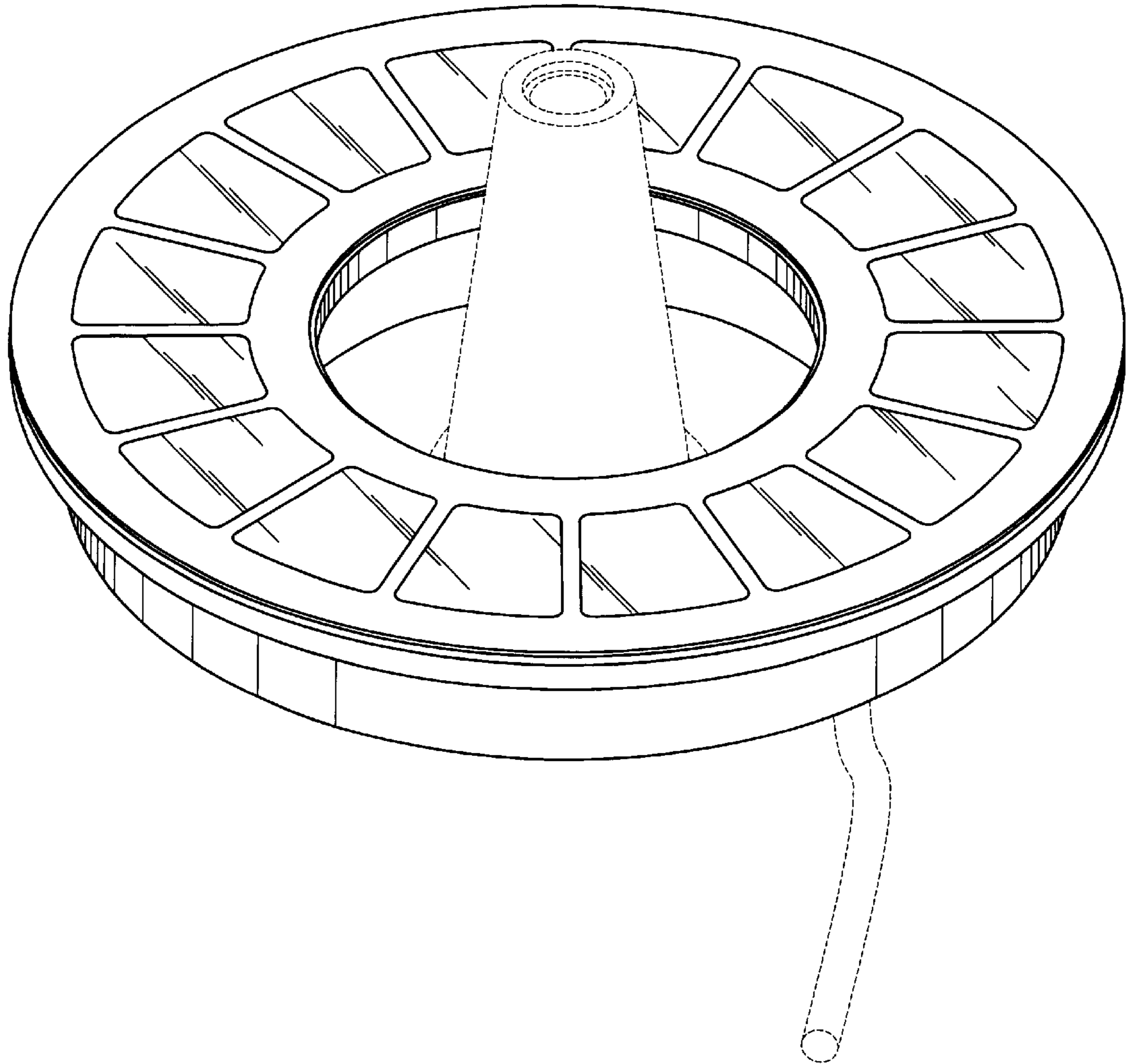


Fig. 1

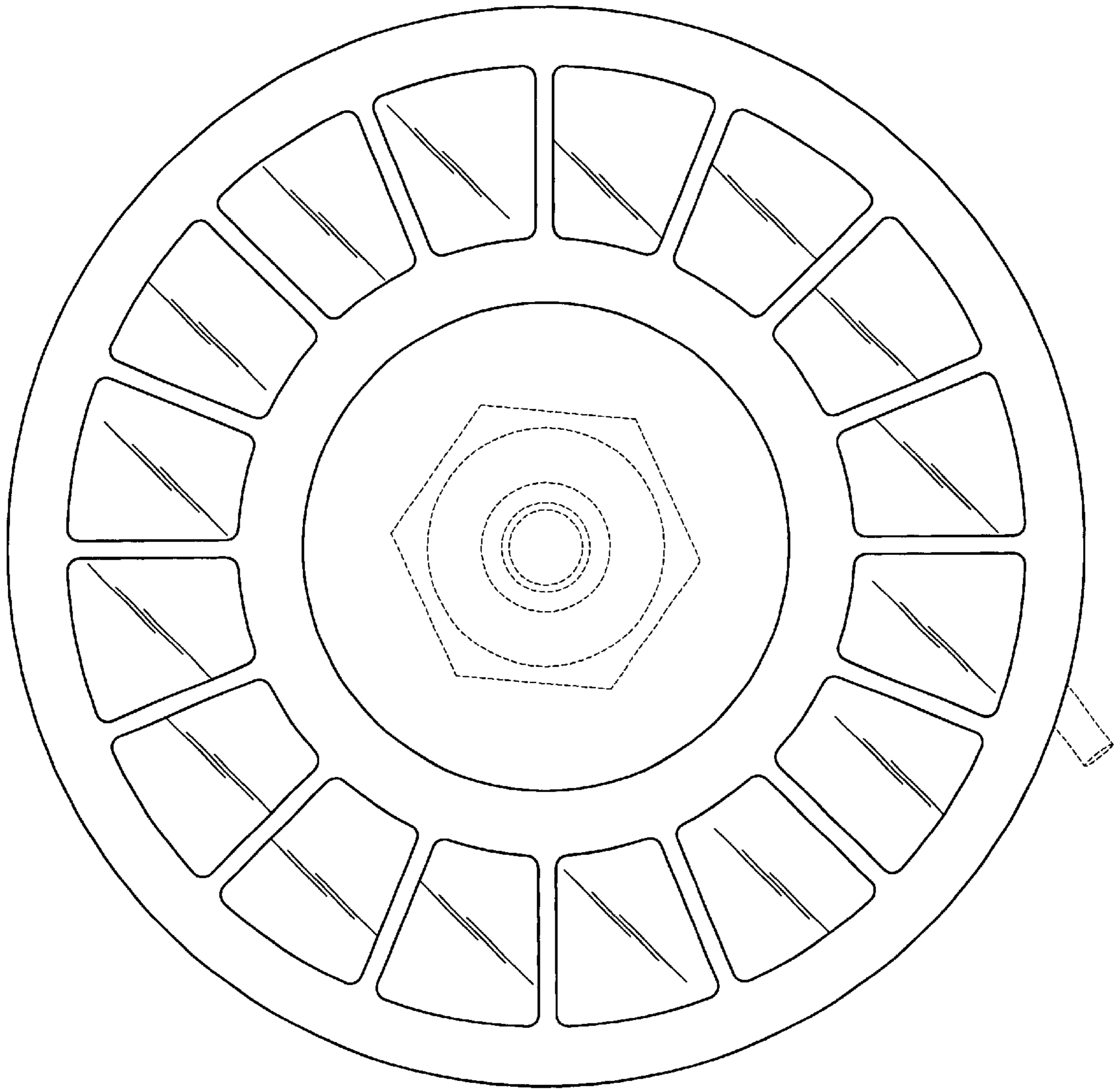


Fig. 2

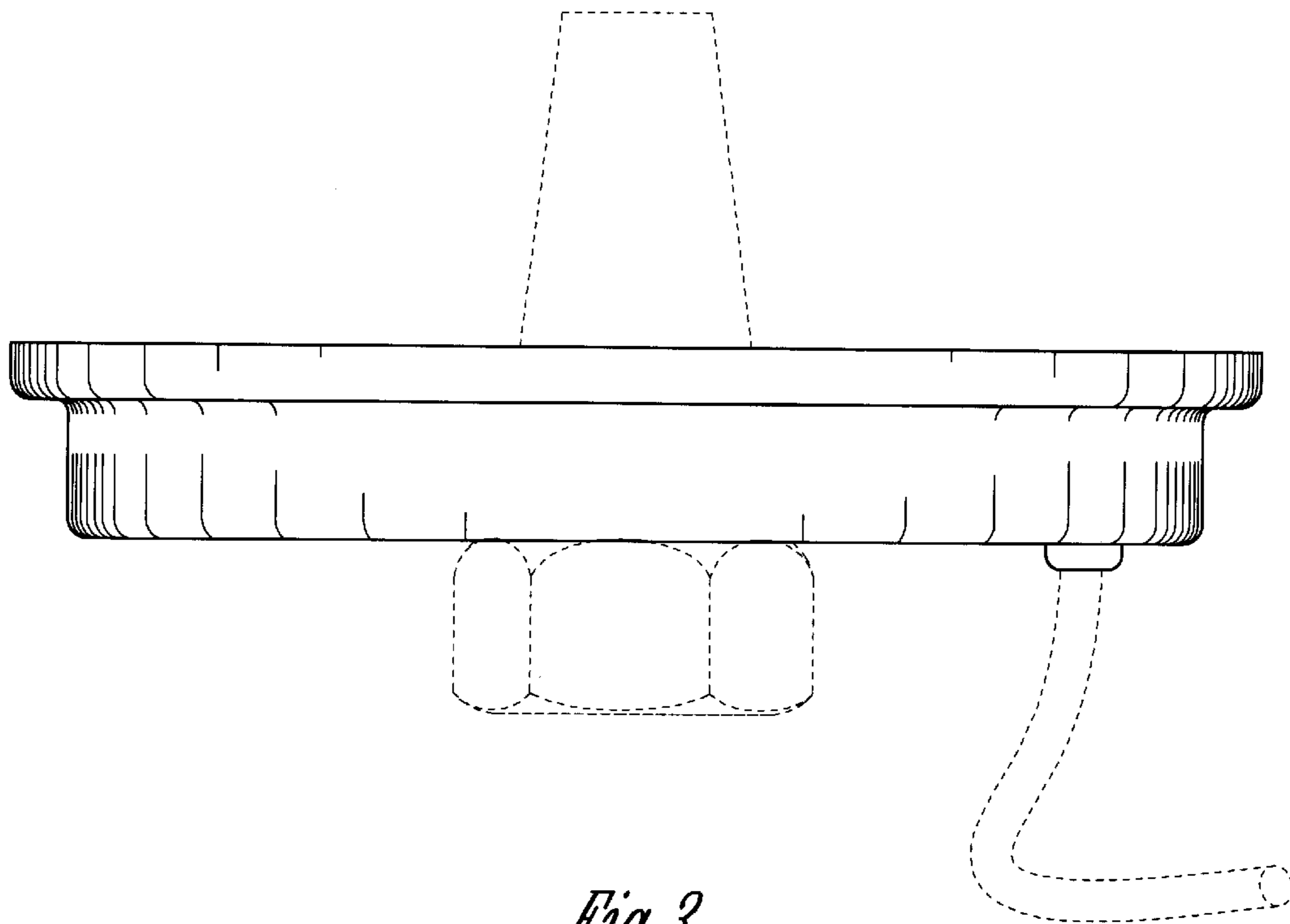


Fig. 3

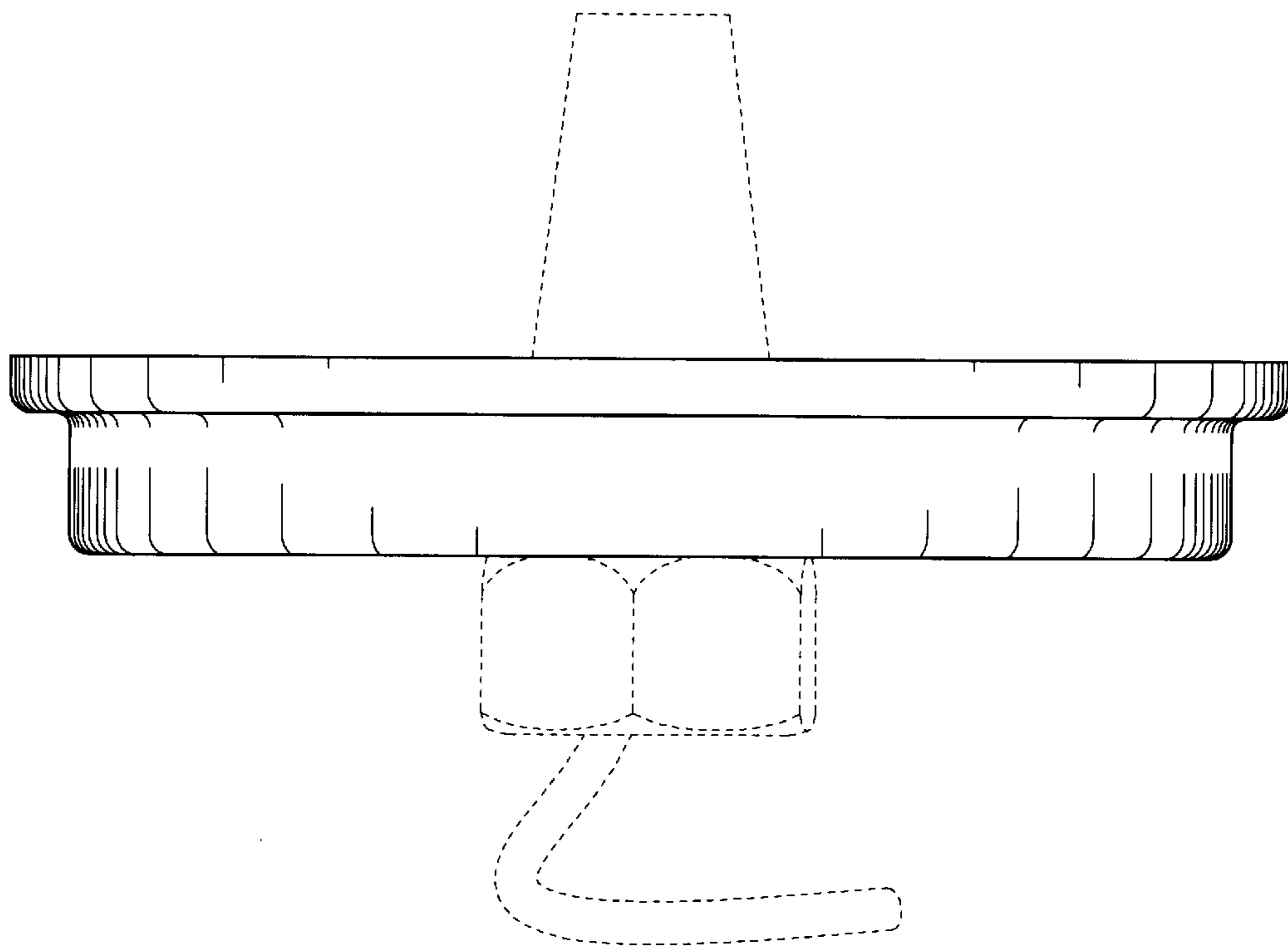


Fig. 4

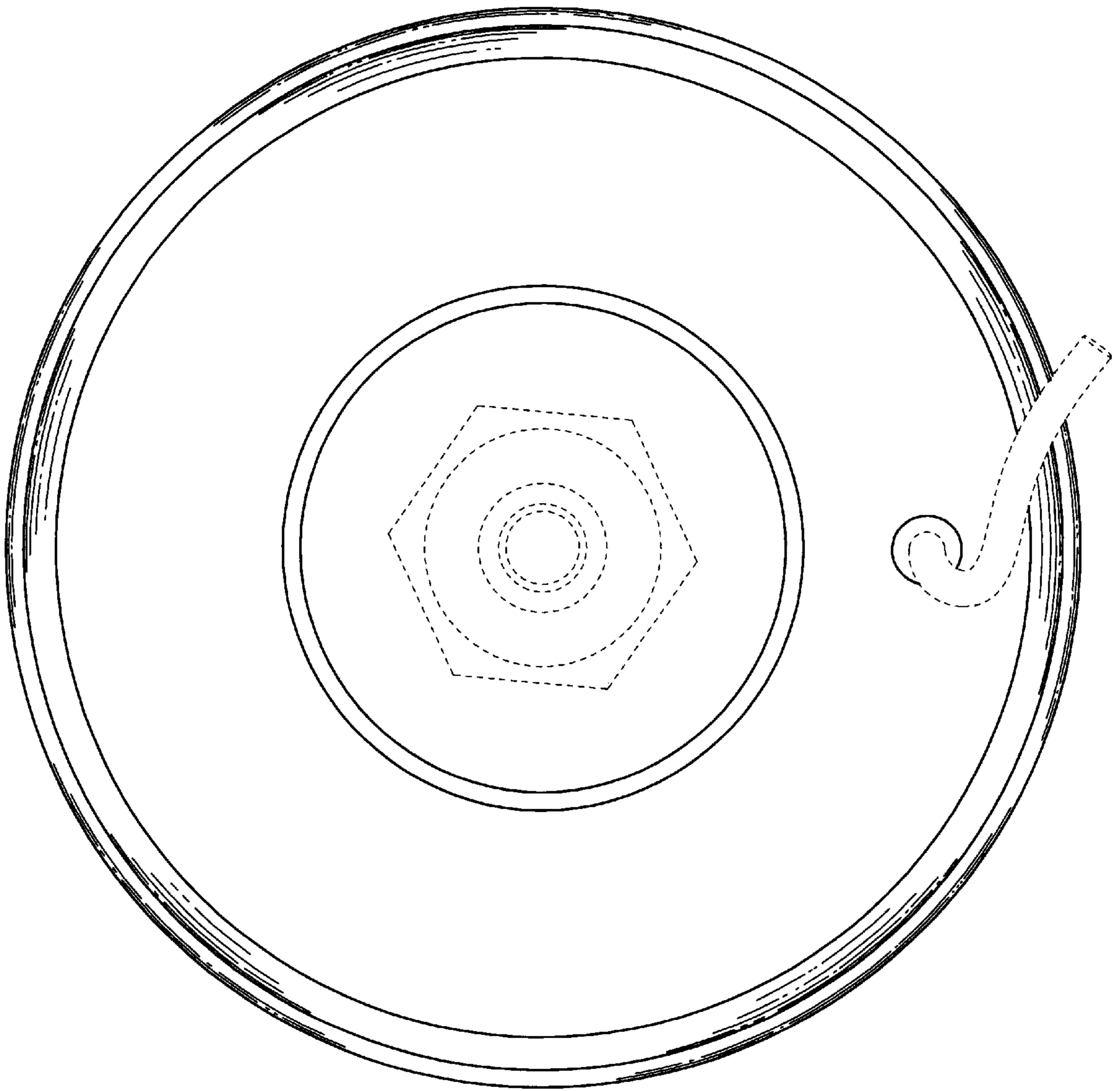


Fig. 5