



US00D488878S

(12) **United States Design Patent**  
**Ward**

(10) **Patent No.:** **US D488,878 S**

(45) **Date of Patent:** **\*\* \*Apr. 20, 2004**

(54) **GIMBALLED TRACK LIGHT FIXTURE**

(75) **Inventor:** **Patrick H. Ward**, San Antonio, TX  
(US)

(73) **Assignee:** **Lucifer Lighting Company**, San  
Antonio, TX (US)

(\* ) **Notice:** This patent is subject to a terminal dis-  
claimer.

(\*\* ) **Term:** **14 Years**

(21) **Appl. No.:** **29/153,968**

(22) **Filed:** **Jan. 14, 2002**

(51) **LOC (7) Cl.** ..... **26-05**

(52) **U.S. Cl.** ..... **D26/63**

(58) **Field of Search** ..... D26/60-66, 72,  
D26/118; 362/267, 269, 271, 272, 273,  
276, 282, 283, 285, 287, 418, 419, 427,  
428

(56) **References Cited**

**U.S. PATENT DOCUMENTS**

4,310,875 A \* 1/1982 Price ..... 362/269

D295,326 S	*	4/1988	Dahlgren .....	D26/63
D417,519 S	*	12/1999	Cutler .....	D26/63
D424,731 S	*	5/2000	Landefeld .....	D26/68
D432,693 S	*	10/2000	Wachter et al. ....	D26/63
D443,940 S	*	6/2001	Donato .....	D26/63
D452,027 S	*	12/2001	Mashevsky .....	D26/63
D465,867 S	*	11/2002	Ward .....	D26/63

\* cited by examiner

*Primary Examiner*—Clare E. Heflin

(74) *Attorney, Agent, or Firm*—Jenkins & Gilchrist, PC

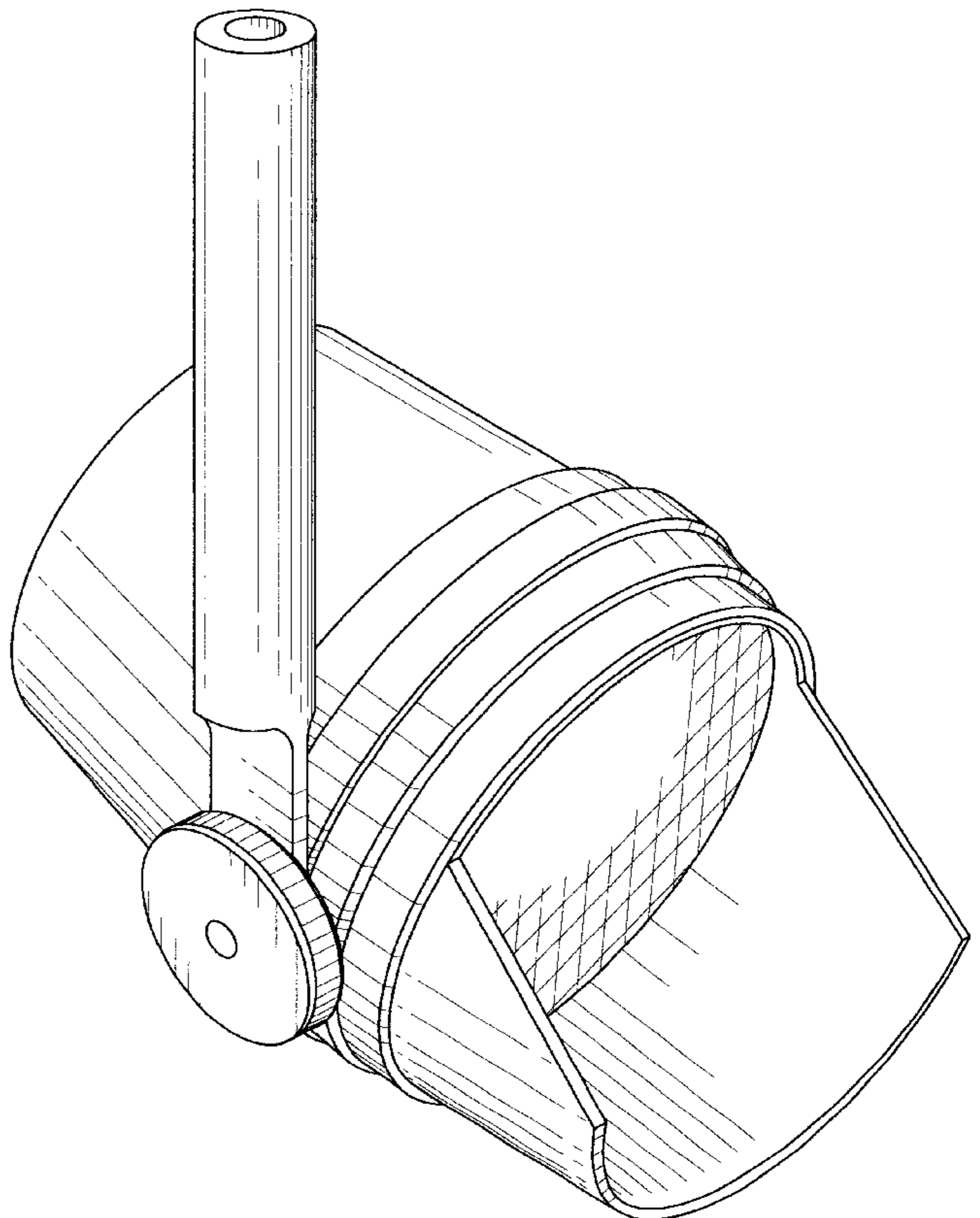
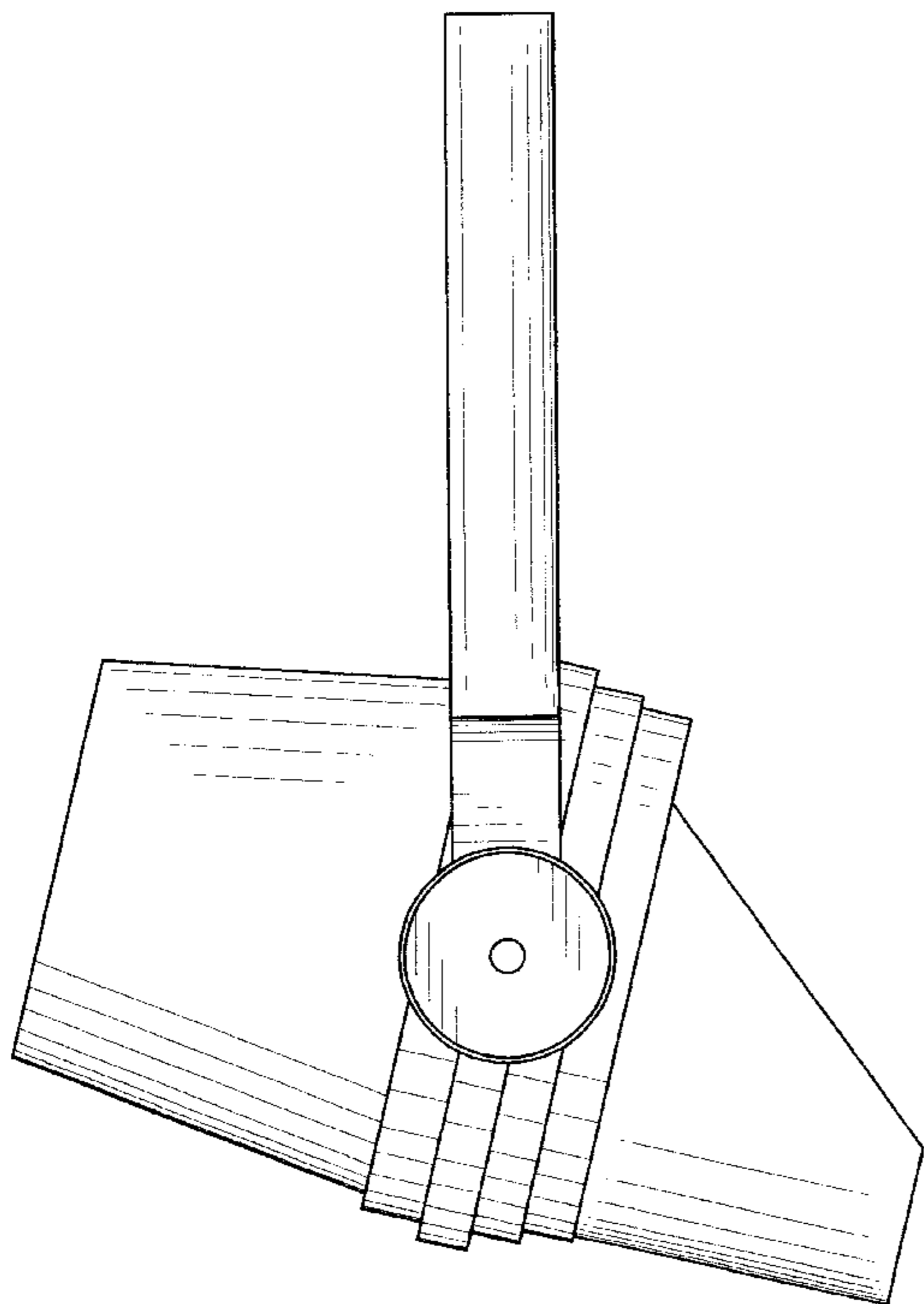
(57) **CLAIM**

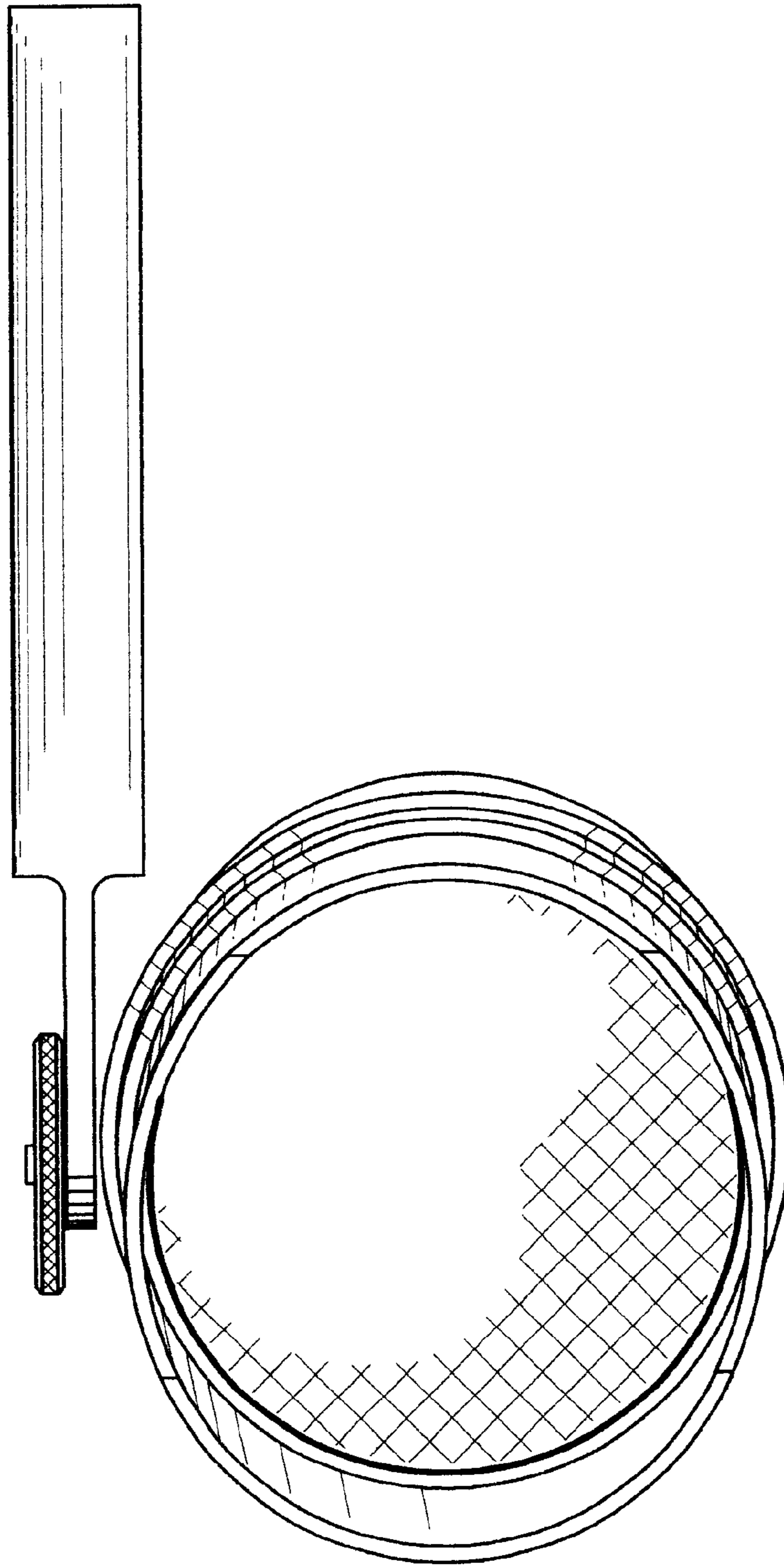
The ornamental design for the gimballed track light fixture,  
as shown and described.

**DESCRIPTION**

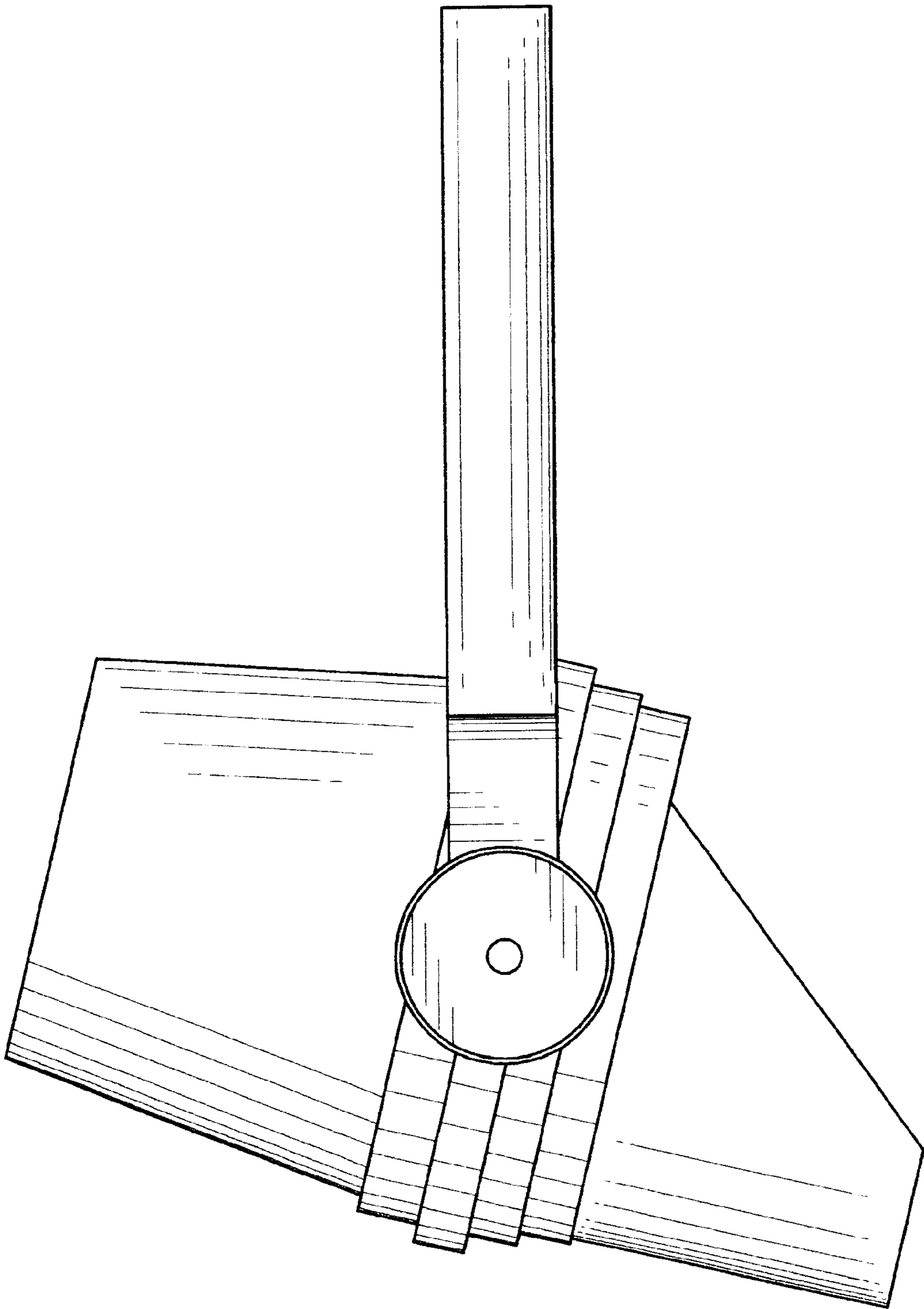
FIG. 1 is a front elevational view of the gimballed tracklight  
fixture;  
FIG. 2 is a left side elevational view;  
FIG. 3 is a rear elevational view;  
FIG. 4 is right side elevational view;  
FIG. 5 is a top plan view;  
FIG. 6 is a bottom plan view; and,  
FIG. 7 is a perspective view.

**1 Claim, 6 Drawing Sheets**

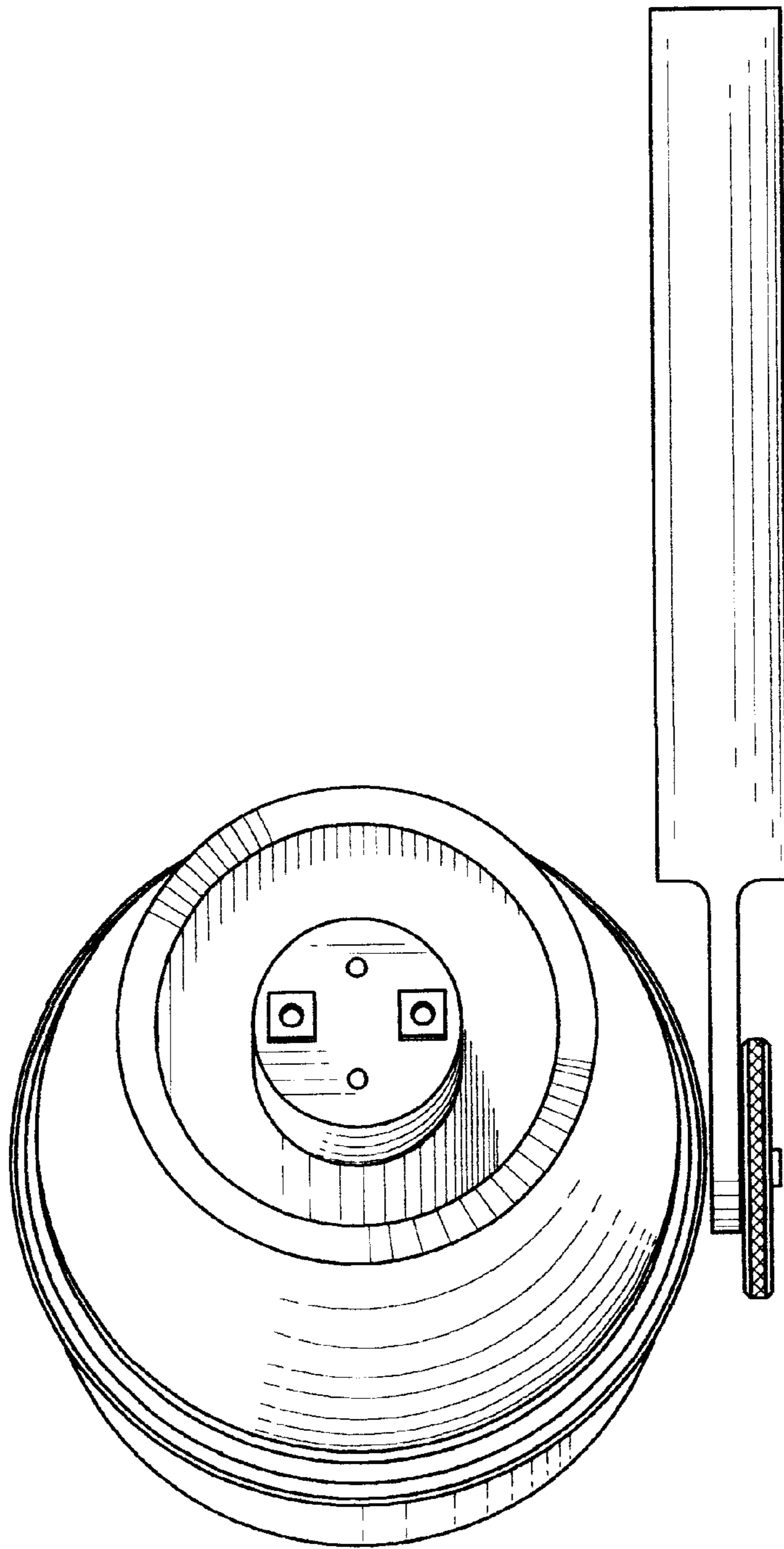




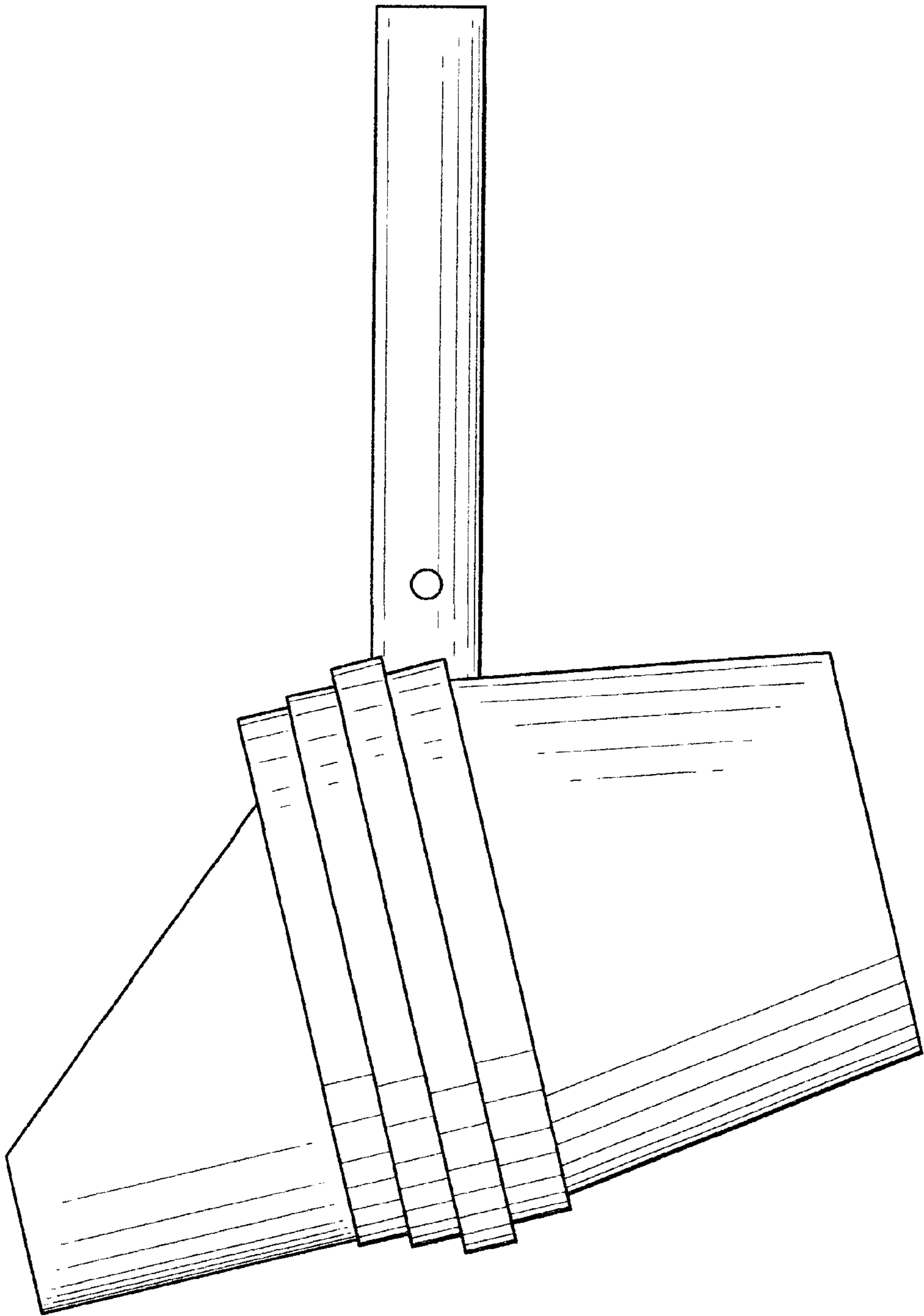
**Fig. 1**



**Fig. 2**

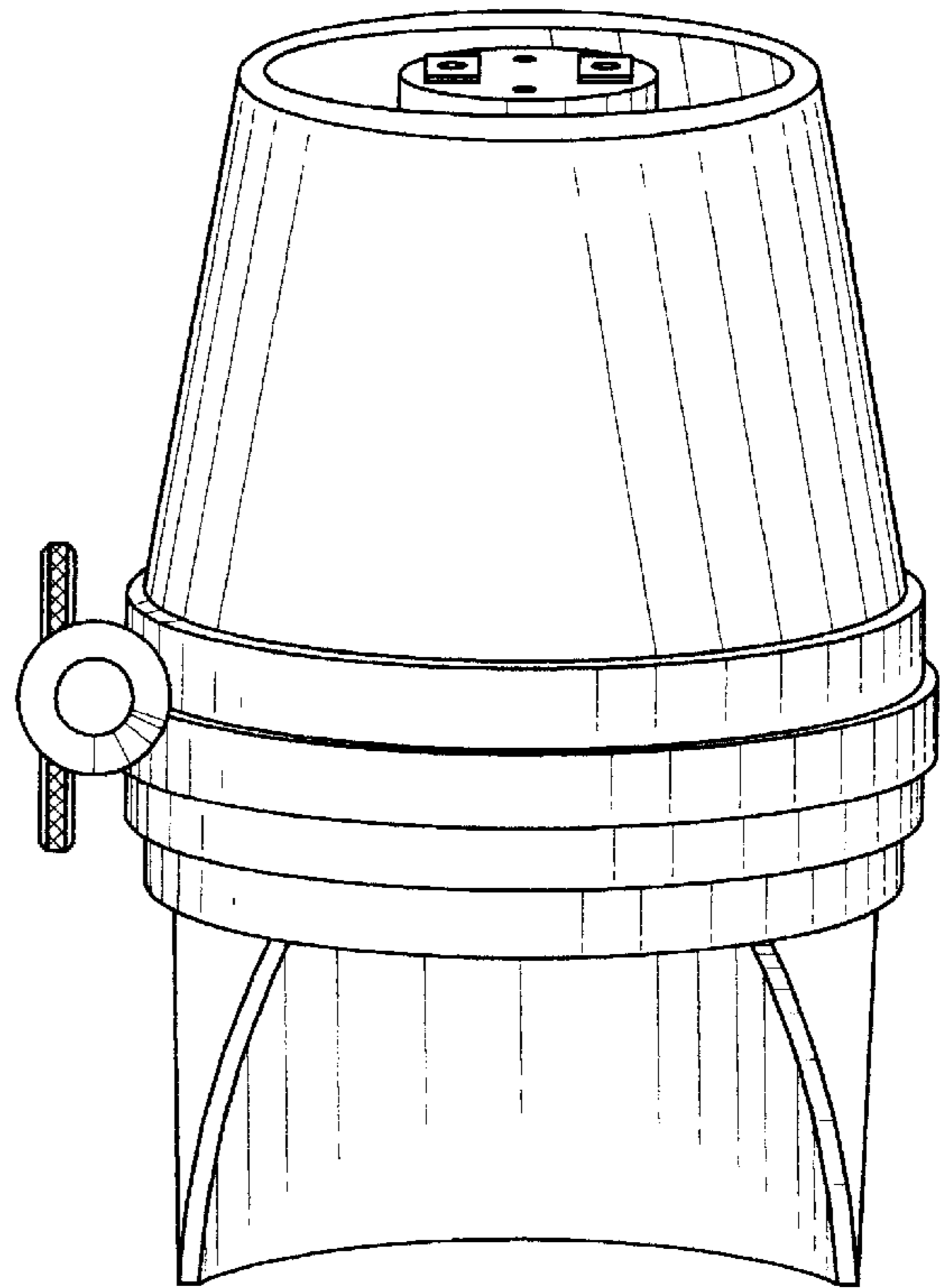


**Fig. 3**

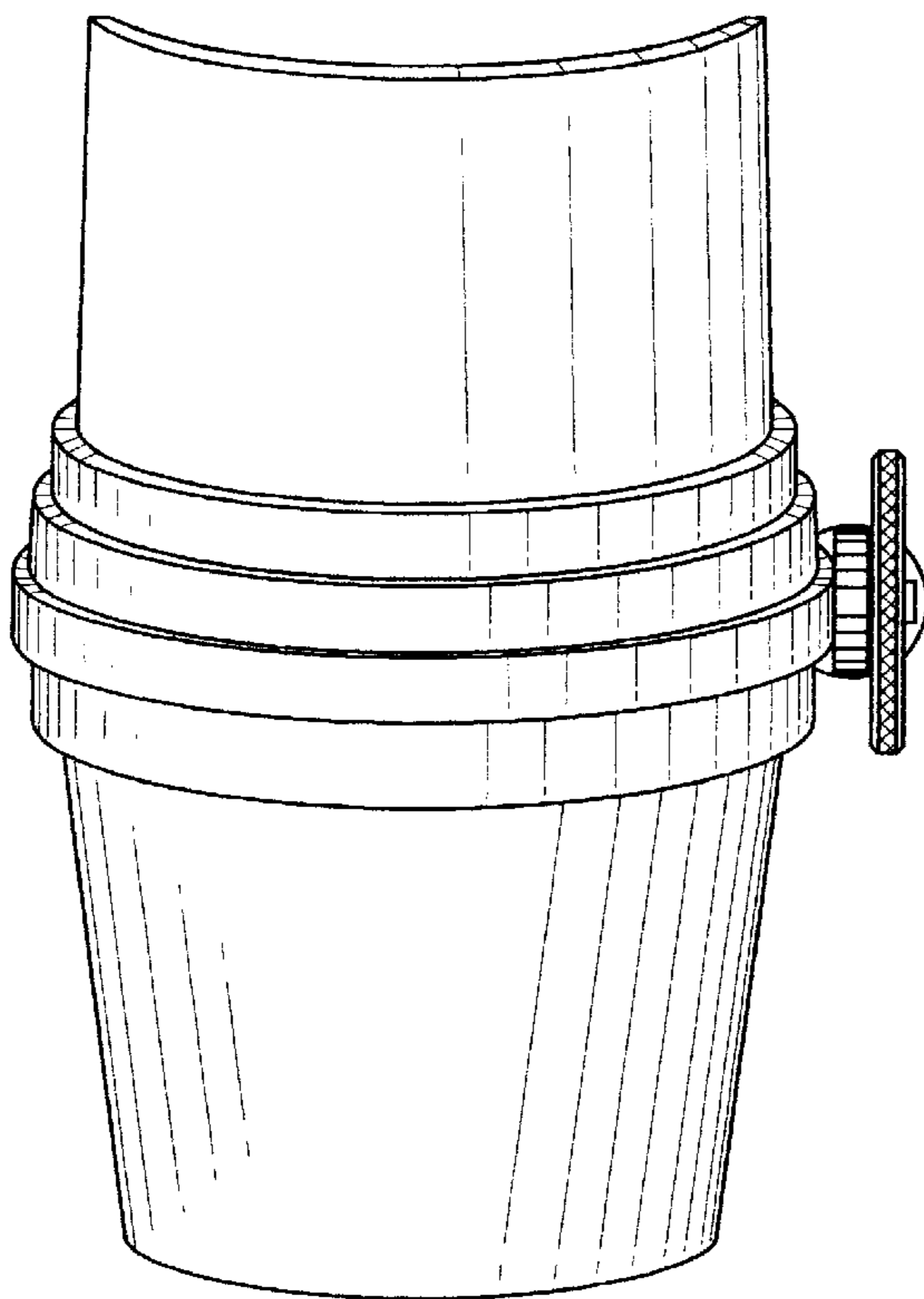


**Fig. 4**

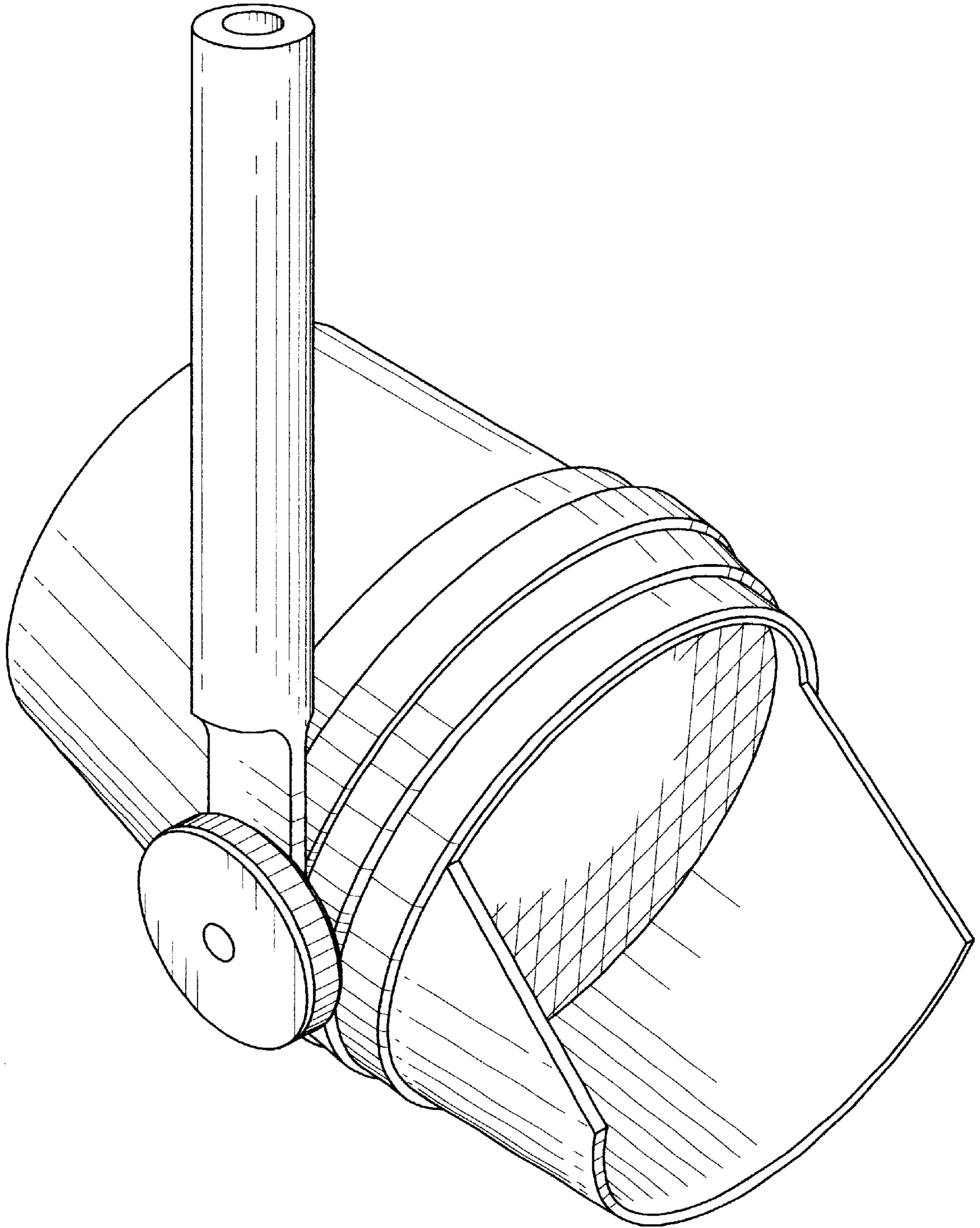




**Fig. 5**



**Fig. 6**



**Fig. 7**