



US00D488871S

(12) **United States Design Patent**  
**Franson**

(10) **Patent No.:** **US D488,871 S**

(45) **Date of Patent:** **\*\* Apr. 20, 2004**

(54) **WINDOW COMPONENT EXTRUSION**

D467,014 S \* 12/2002 Morton et al. .... D25/124  
D470,248 S \* 2/2003 Franson ..... D25/124

(75) Inventor: **Jeffrey R. Franson**, Maple Valley, WA  
(US)

**OTHER PUBLICATIONS**

(73) Assignee: **Mikron Industries, Inc.**, Kent, WA  
(US)

Jeffrey R. Franson, Mikron Part No. 7384, First Drawn, Jun. 4, 1996, First Sold: Jun. 19, 1996.

(\*\*) Term: **14 Years**

Jeffrey R. Franson, Mikron Part No. 7853, First Drawn, Jan. 7, 1999, First Sold: May 13, 1999.

(21) Appl. No.: **29/153,672**

\* cited by examiner

(22) Filed: **Jan. 10, 2002**

*Primary Examiner*—Doris Clark

(51) **LOC (7) Cl.** ..... **25-01**

(74) *Attorney, Agent, or Firm*—Seed IP Law Group PLLC

(52) **U.S. Cl.** ..... **D25/124**

(58) **Field of Search** ..... D25/119, 124,  
D25/125; 52/204.1, 204.51, 230.3, 205.1,  
202, 730.5, 731, 738, 732; 49/DIG. 2, 504,  
505, 404, 413, 407, 408, 419

(57) **CLAIM**

The ornamental design for a window component extrusion, as shown and described.

(56) **References Cited**

**DESCRIPTION**

**U.S. PATENT DOCUMENTS**

D363,800 S 10/1995 Goss  
D373,201 S 8/1996 Franson  
D380,282 S 6/1997 Franson

FIG. 1 is a top right perspective view of the window component extrusion which is broken in the center indicating indefinite length; and,

FIG. 2 is a bottom left perspective view of the window component extrusion shown in FIG. 1.

**1 Claim, 1 Drawing Sheet**

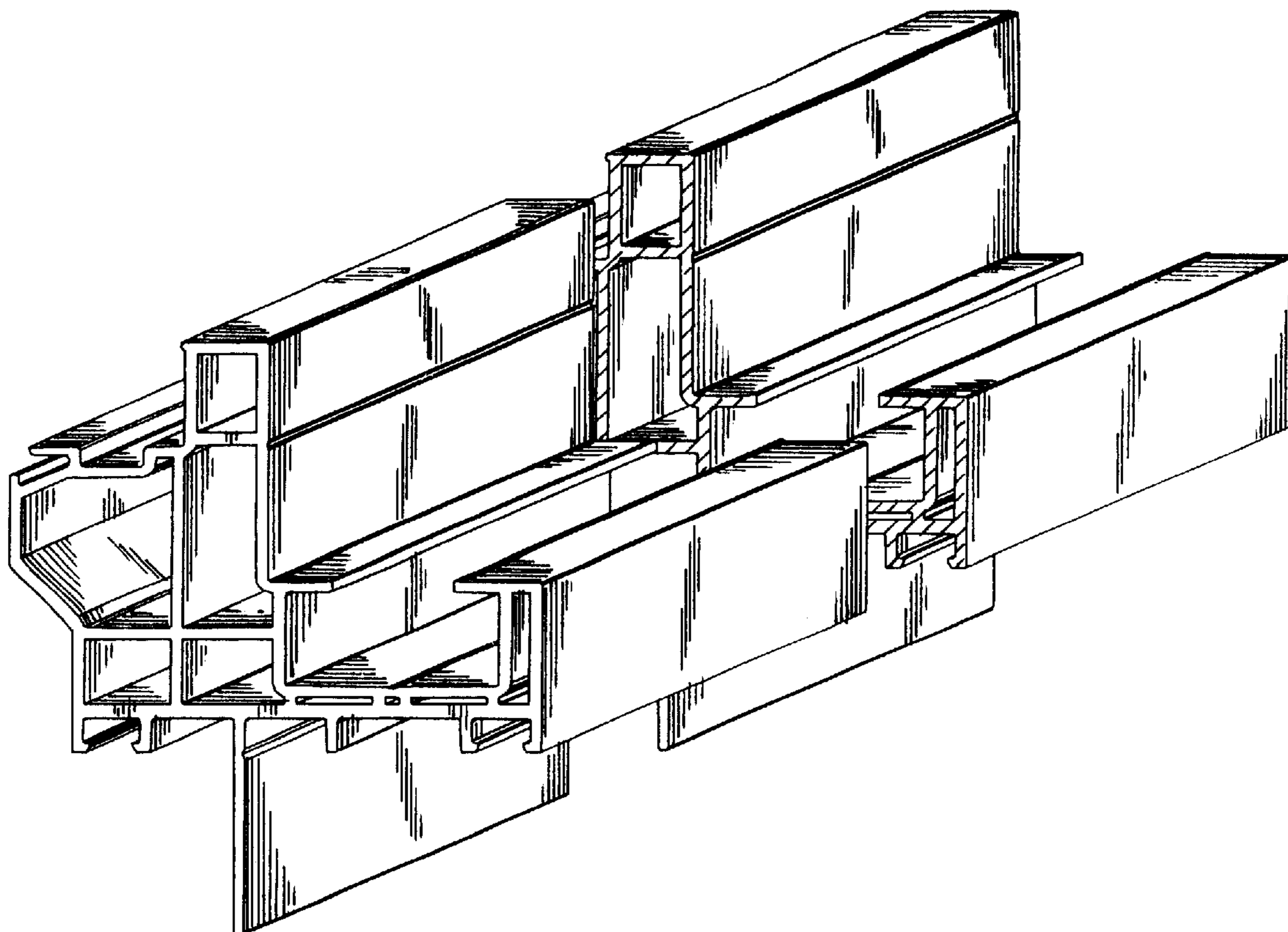


FIG. 1

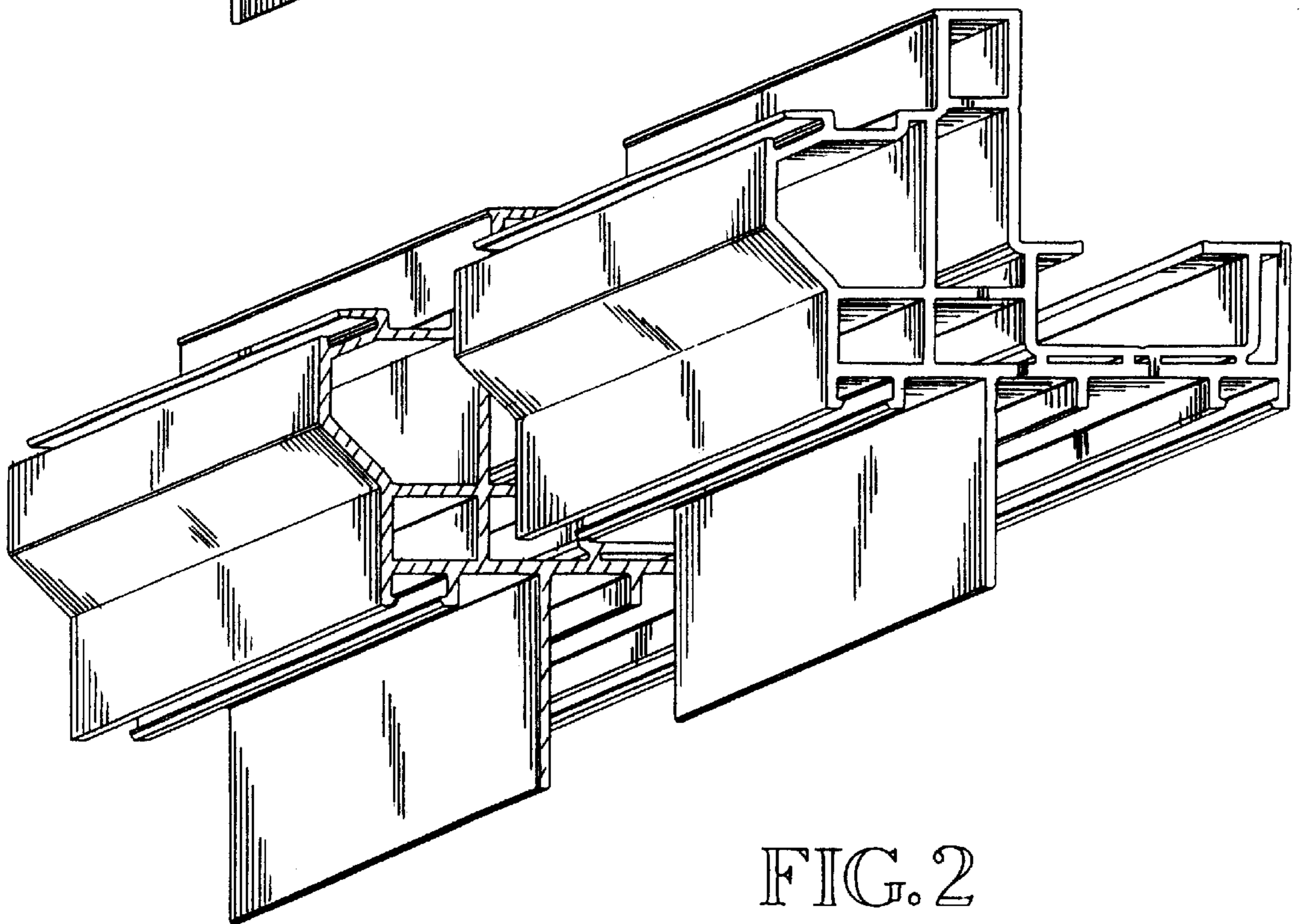
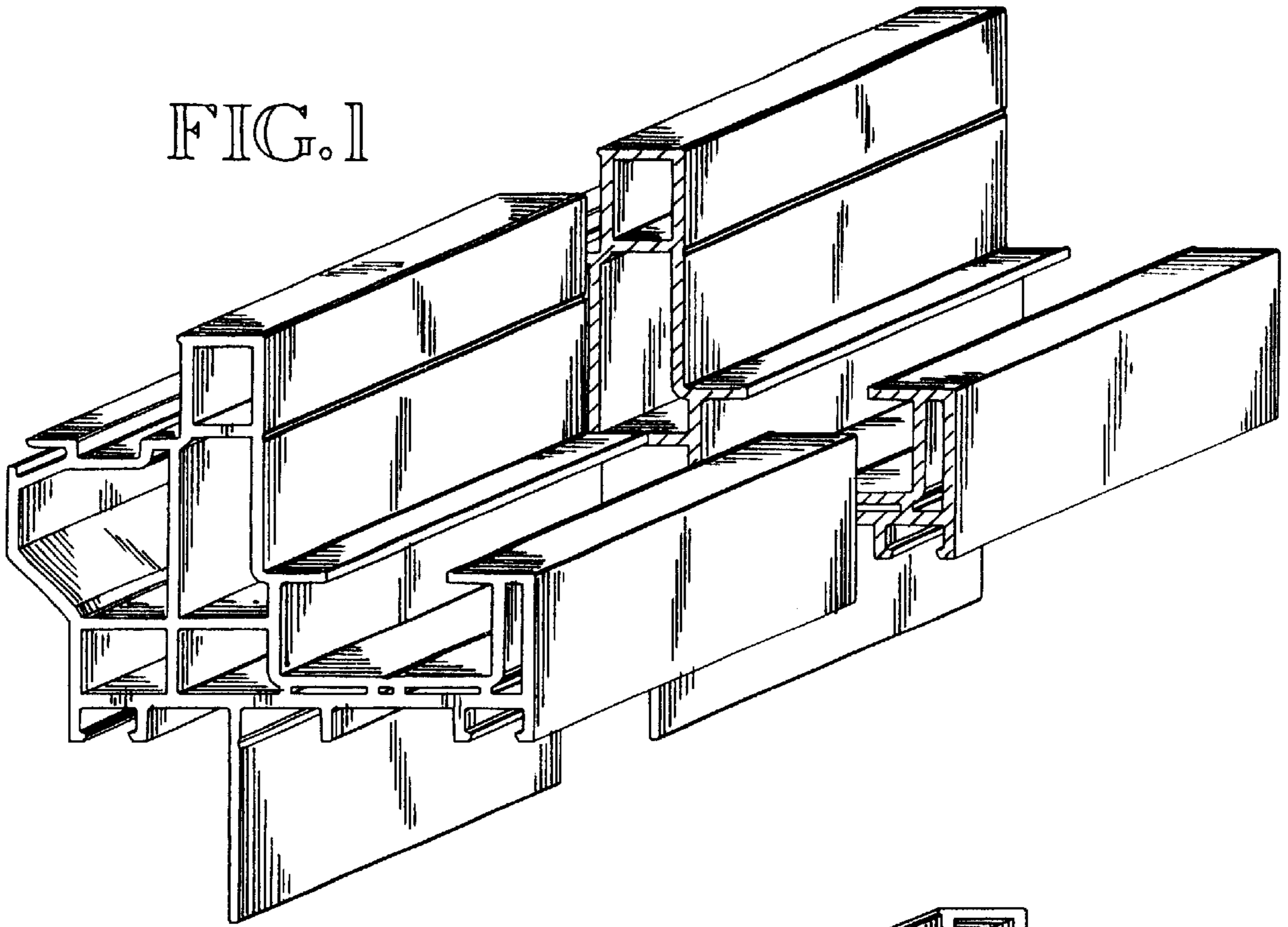


FIG. 2