



US00D488868S

(12) **United States Design Patent**
Lundrigan

(10) **Patent No.:** **US D488,868 S**

(45) **Date of Patent:** **** Apr. 20, 2004**

(54) **THERAPEUTIC BACK MASSAGE BOARD**

D449,695 S * 10/2001 Ponton et al. D24/200
D461,079 S * 8/2002 Holbrook D6/502

(76) Inventor: **Debra Lundrigan**, 243 W. Stockton Rd., Sonora, CA (US) 95370

* cited by examiner

(**) Term: **14 Years**

Primary Examiner—Gary D. Watson
(74) *Attorney, Agent, or Firm*—Basil Travis

(21) Appl. No.: **29/165,974**

(57) **CLAIM**

(22) Filed: **Aug. 20, 2002**

The ornamental design for a therapeutic back massage board, as shown and described.

(51) **LOC (7) Cl.** **24-02**

DESCRIPTION

(52) **U.S. Cl.** **D24/200; D6/502; D21/690**

(58) **Field of Search** D24/200, 206;
D21/686, 690; D6/334, 366, 374, 375,
500, 501, 502; 601/24, 86, 90, 91, 98, 134,
146; 128/845, 870; 297/452.29, 452.31,
452.42, 452.46, 463.2

FIG. 1 is a front and side perspective view of a therapeutic back massage board showing my new design, the broken lines illustrating a portion of a chair and peg heads protruding from two holes in the board are for illustrative purposes and form no part of the claimed design;

(56) **References Cited**

FIG. 2 is a top plan view;

FIG. 3 is a bottom plan view image thereof;

FIG. 4 is a front elevational view;

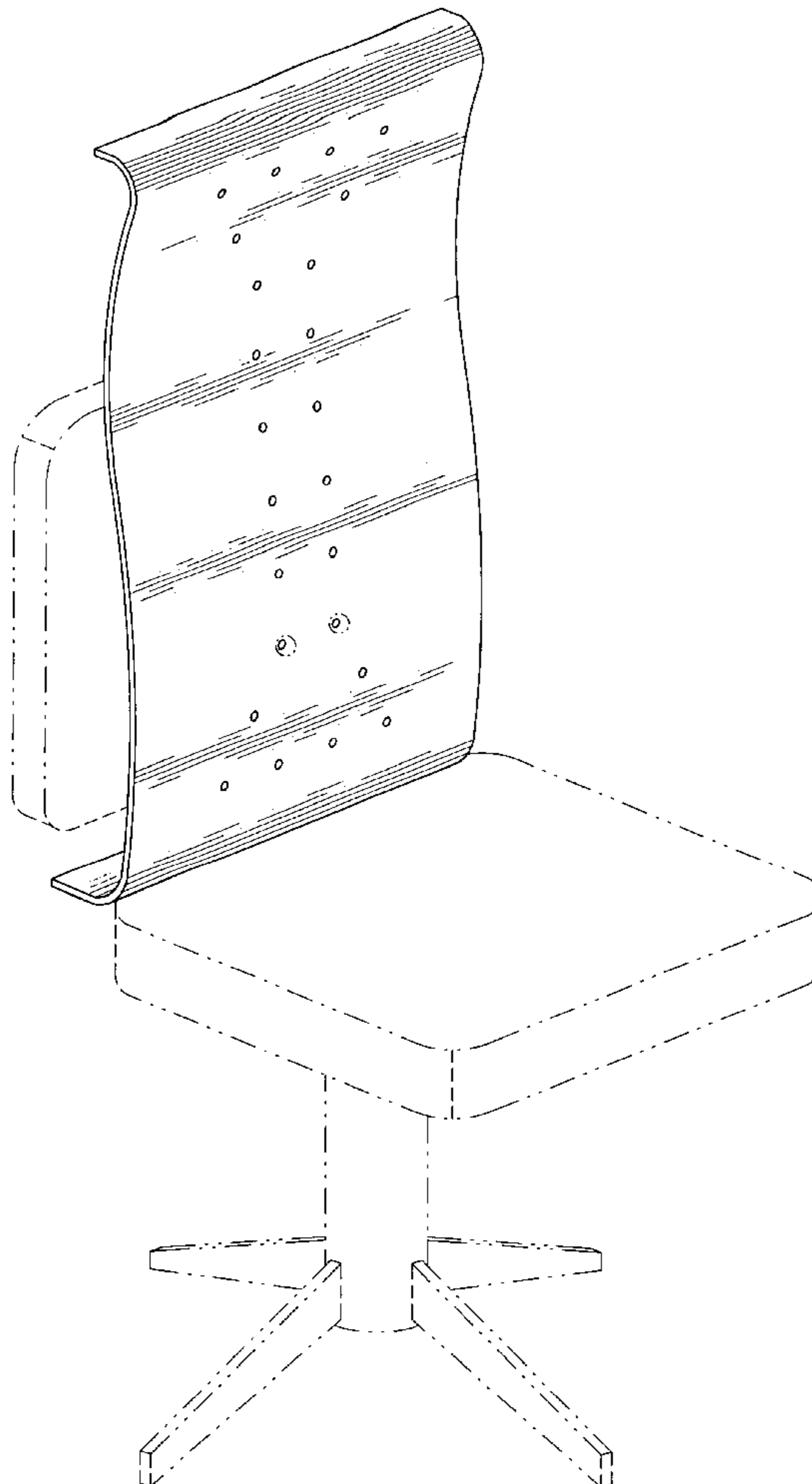
FIG. 5 is a side elevational view, the opposite side being a mirror image thereof;

FIG. 6 is a rear elevational view.

U.S. PATENT DOCUMENTS

D209,118 S * 10/1967 Grube D24/206
4,350,152 A * 9/1982 Strakowski D24/200 X
D358,500 S * 5/1995 Pedersen D6/375 X
D396,293 S * 7/1998 Stranner D24/200
D422,802 S * 4/2000 Deacon D6/366

1 Claim, 2 Drawing Sheets



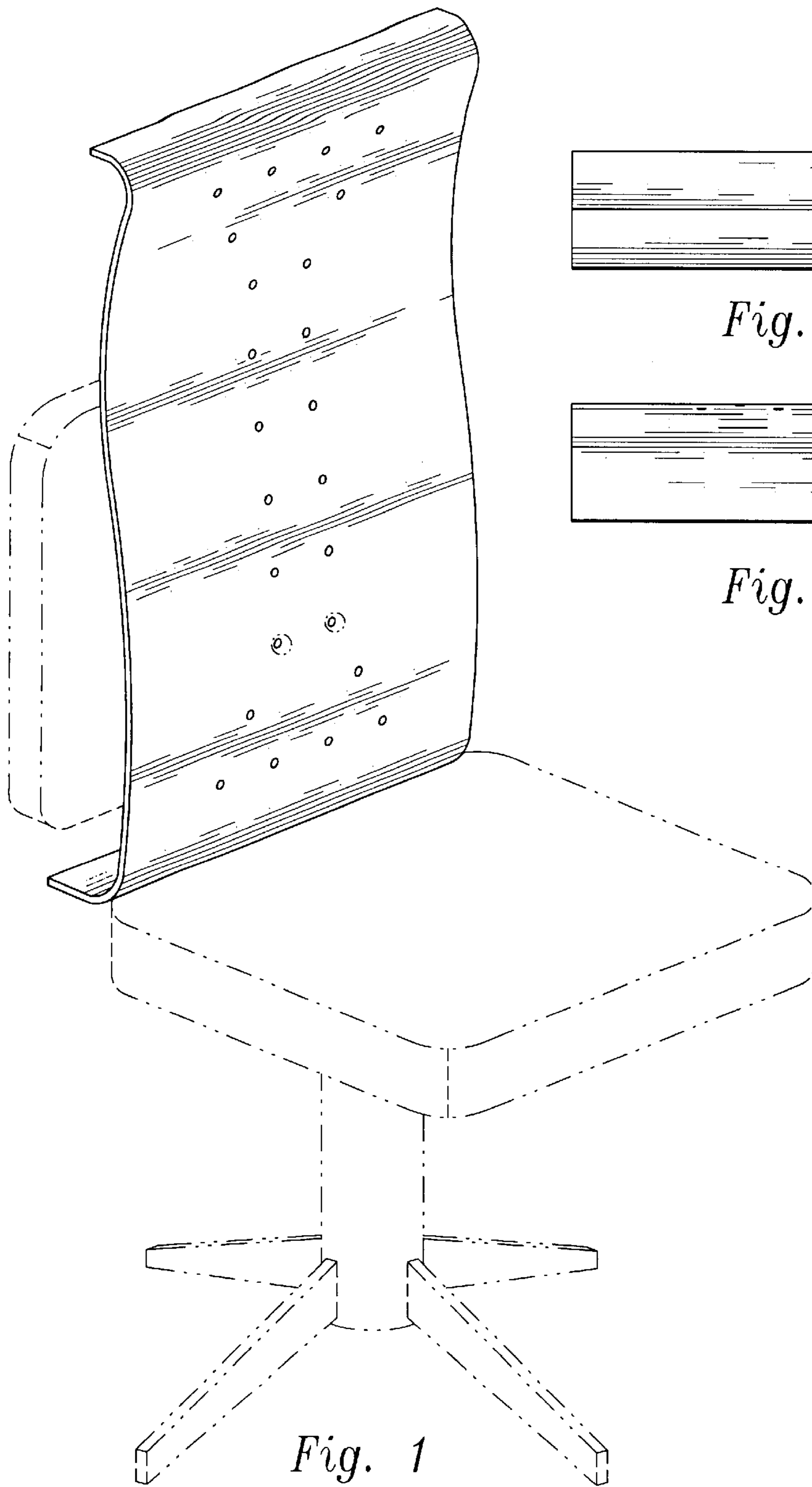


Fig. 1

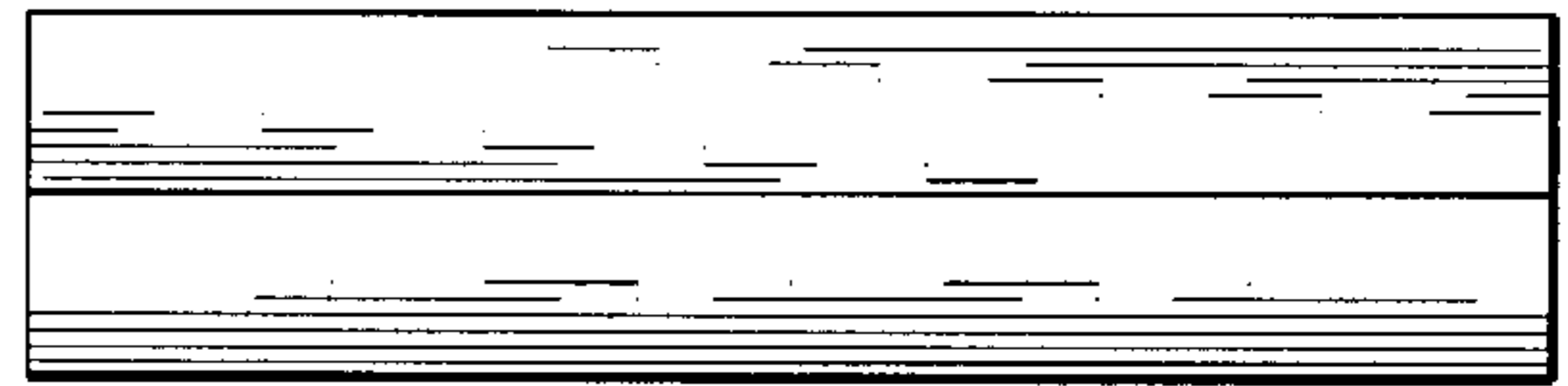


Fig. 2



Fig. 3

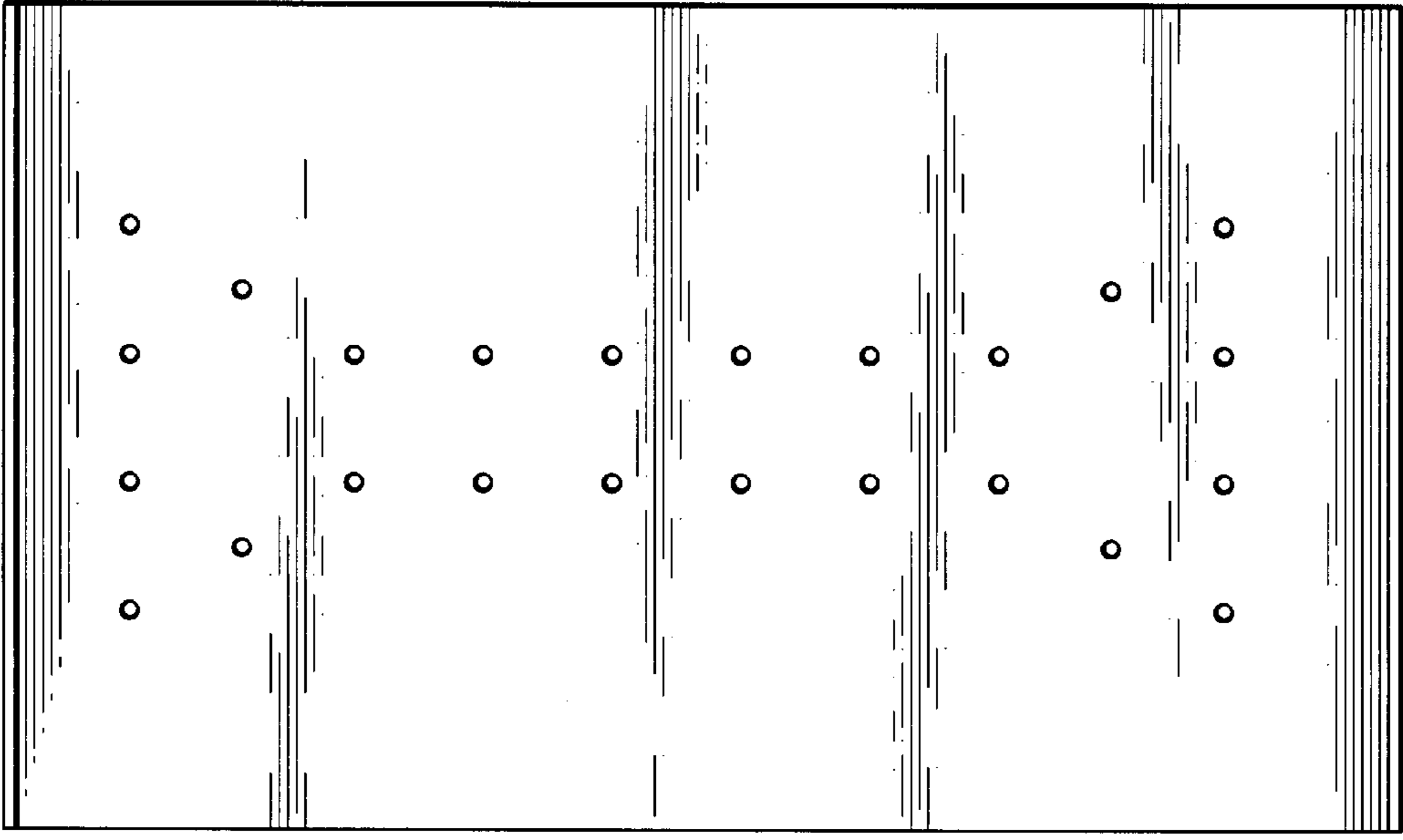


Fig. 4



Fig. 5

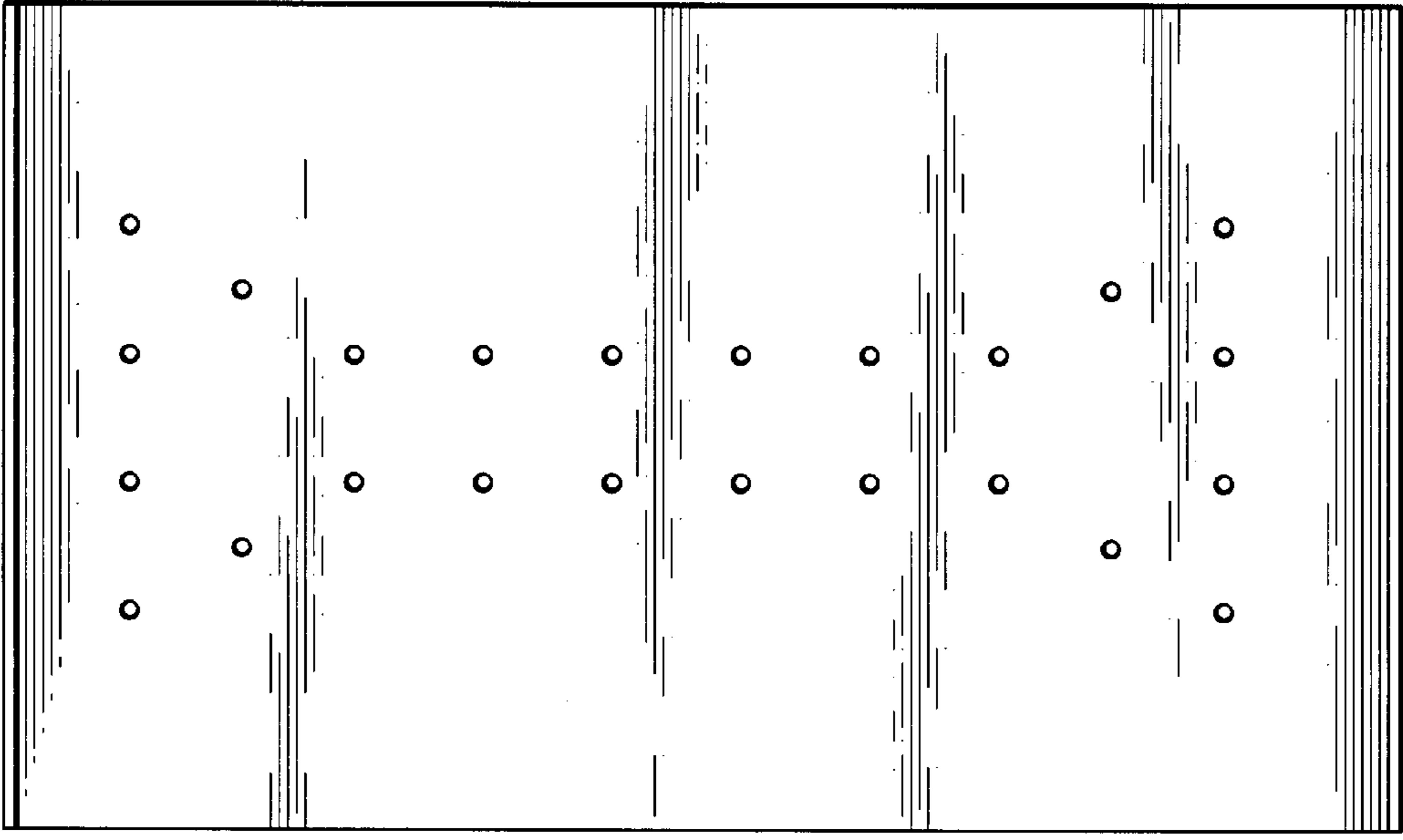


Fig. 6