



US00D488867S

(12) **United States Design Patent**  
**Chau**

(10) **Patent No.:** **US D488,867 S**

(45) **Date of Patent:** **\*\* Apr. 20, 2004**

(54) **PLUG FOR MEDICAL BAYONET CONNECTORS AND DRUG INFUSION PORTS**

6,578,573 B2 \* 6/2003 Koch ..... 604/110  
2003/0173536 A1 \* 9/2003 Christensen et al. .... 220/714

\* cited by examiner

(76) **Inventor:** **Sam Chau**, 7407 Timber Ridge Trail,  
Sugarland, TX (US) 77479

*Primary Examiner*—Ian Simmons

(74) *Attorney, Agent, or Firm*—Kenneth A. Roddy

(\*\*) **Term:** **14 Years**

(57) **CLAIM**

(21) **Appl. No.:** **29/159,124**

The ornamental design for a plug for medical connectors and drug infusion ports, as shown and described.

(22) **Filed:** **Apr. 16, 2002**

**DESCRIPTION**

(51) **LOC (7) Cl.** ..... **24-02**

(52) **U.S. Cl.** ..... **D24/129; D24/224**

(58) **Field of Search** ..... D24/224, 127,  
D24/129; D9/439, 453, 434, 443, 444;  
604/256, 110, 167.02, 242, 187; 215/356,  
355; 220/297, 288, 296, 293, 295, 714,  
300, 298, DIG. 19, 210; 138/89

FIG. 1 is a perspective view of a first embodiment of a plug for medical connectors and drug infusion ports showing my new design from the front end and one side, the opposite side being a mirror image of that shown;

FIG. 2 is a perspective view thereof, shown from the back end and side;

FIG. 3 is a perspective view of a second embodiment of a plug for medical connectors and drug infusion ports showing my new design from the front end and one side, the opposite side being a mirror image of that shown; and,

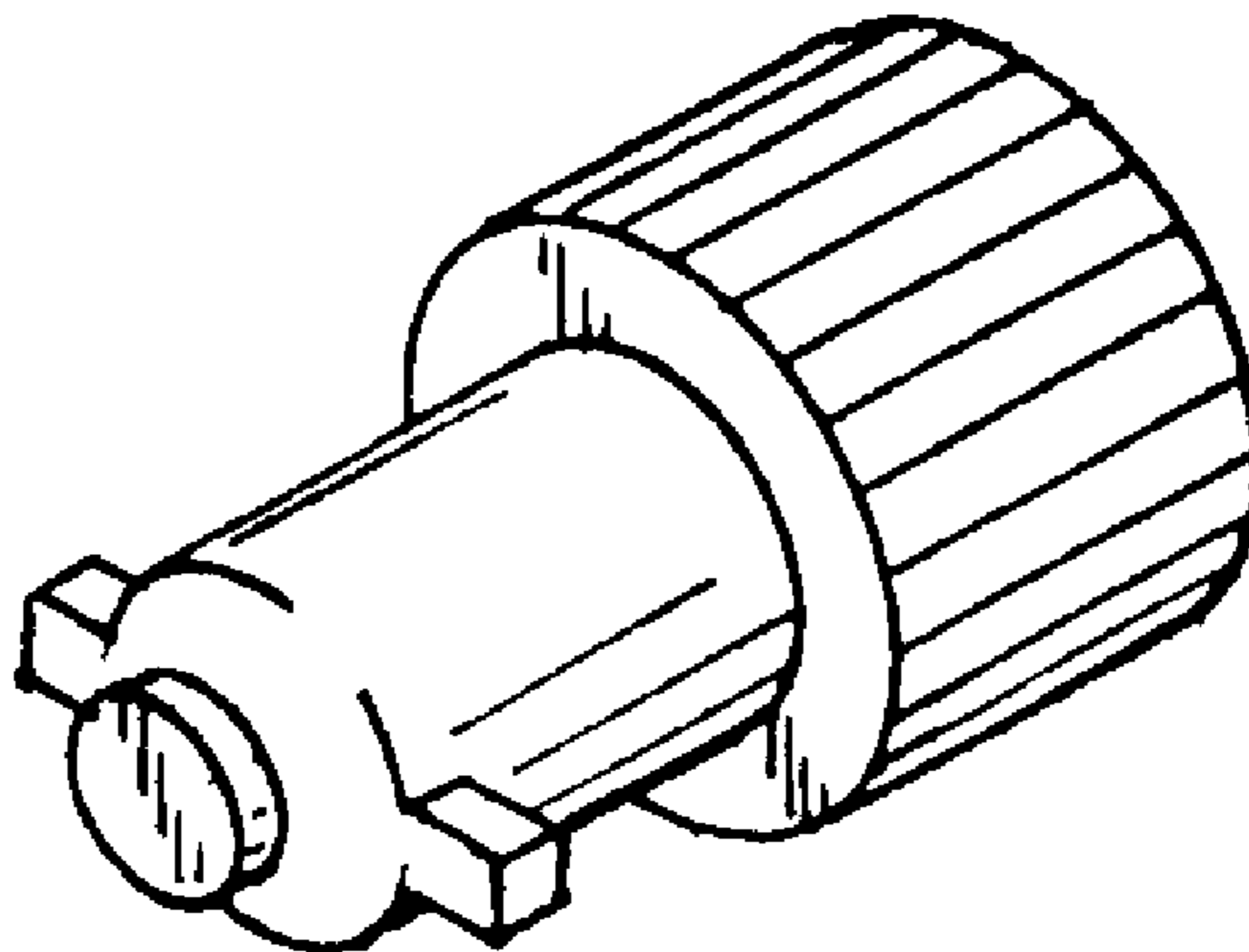
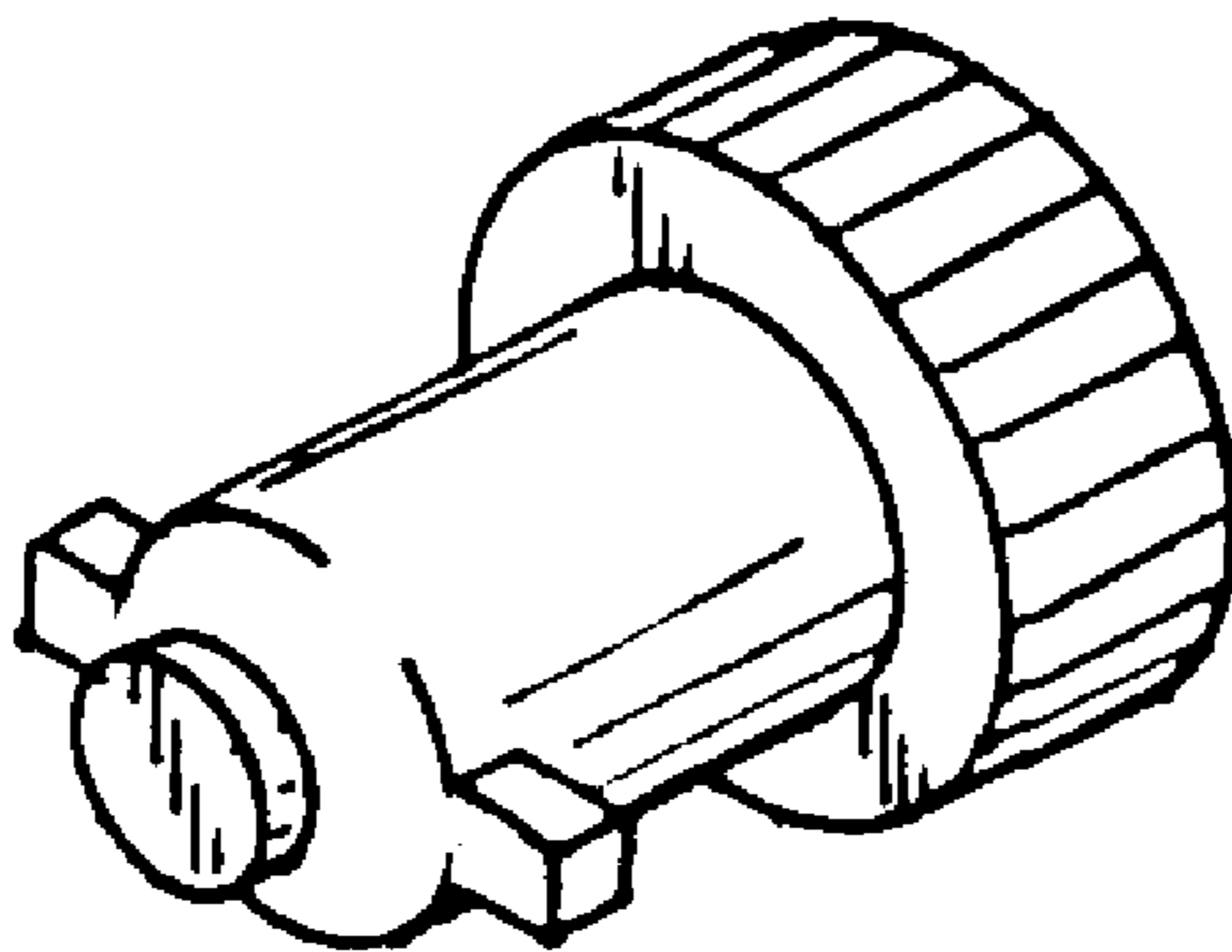
FIG. 4 is perspective view thereof, shown from the back end and side.

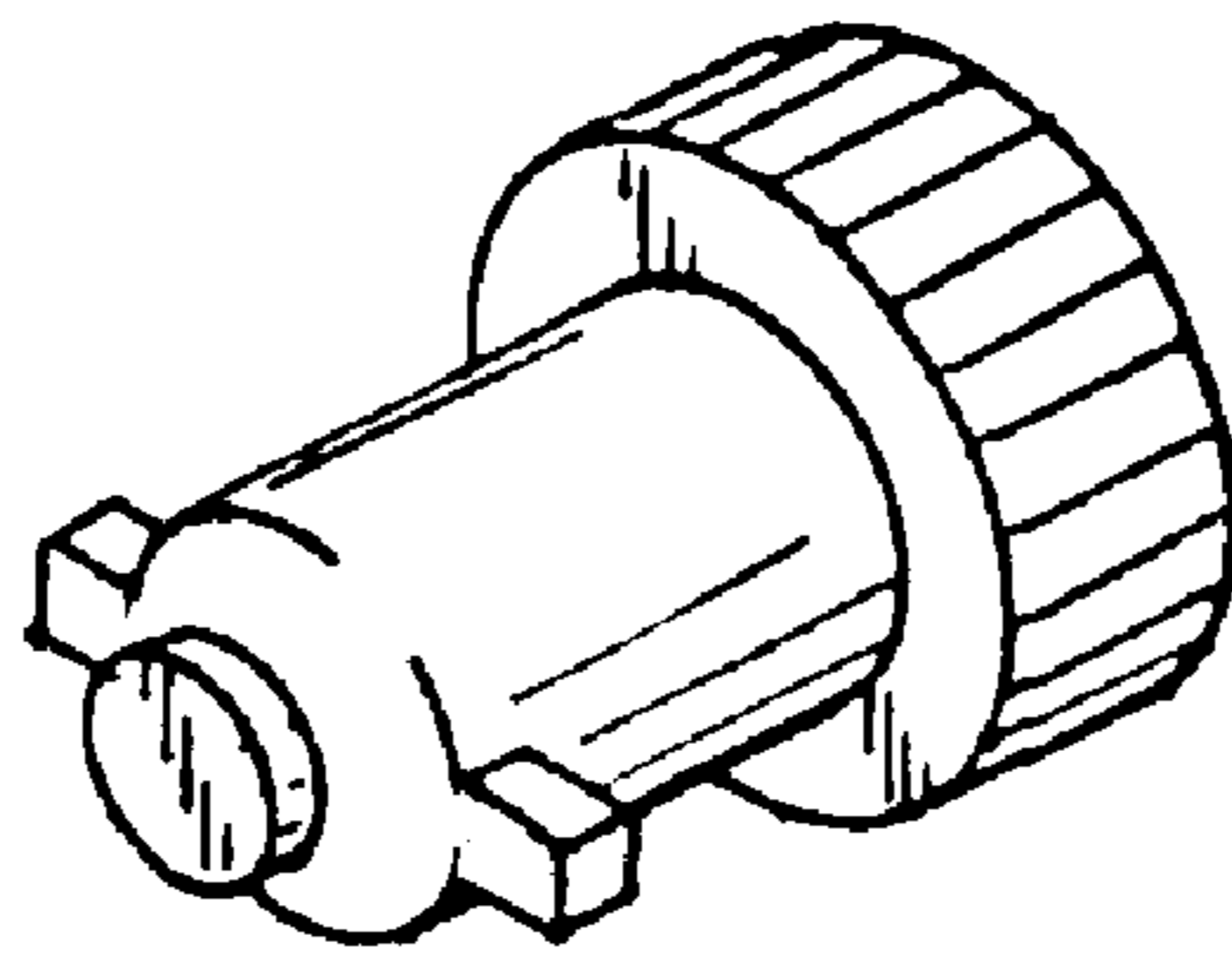
(56) **References Cited**

**U.S. PATENT DOCUMENTS**

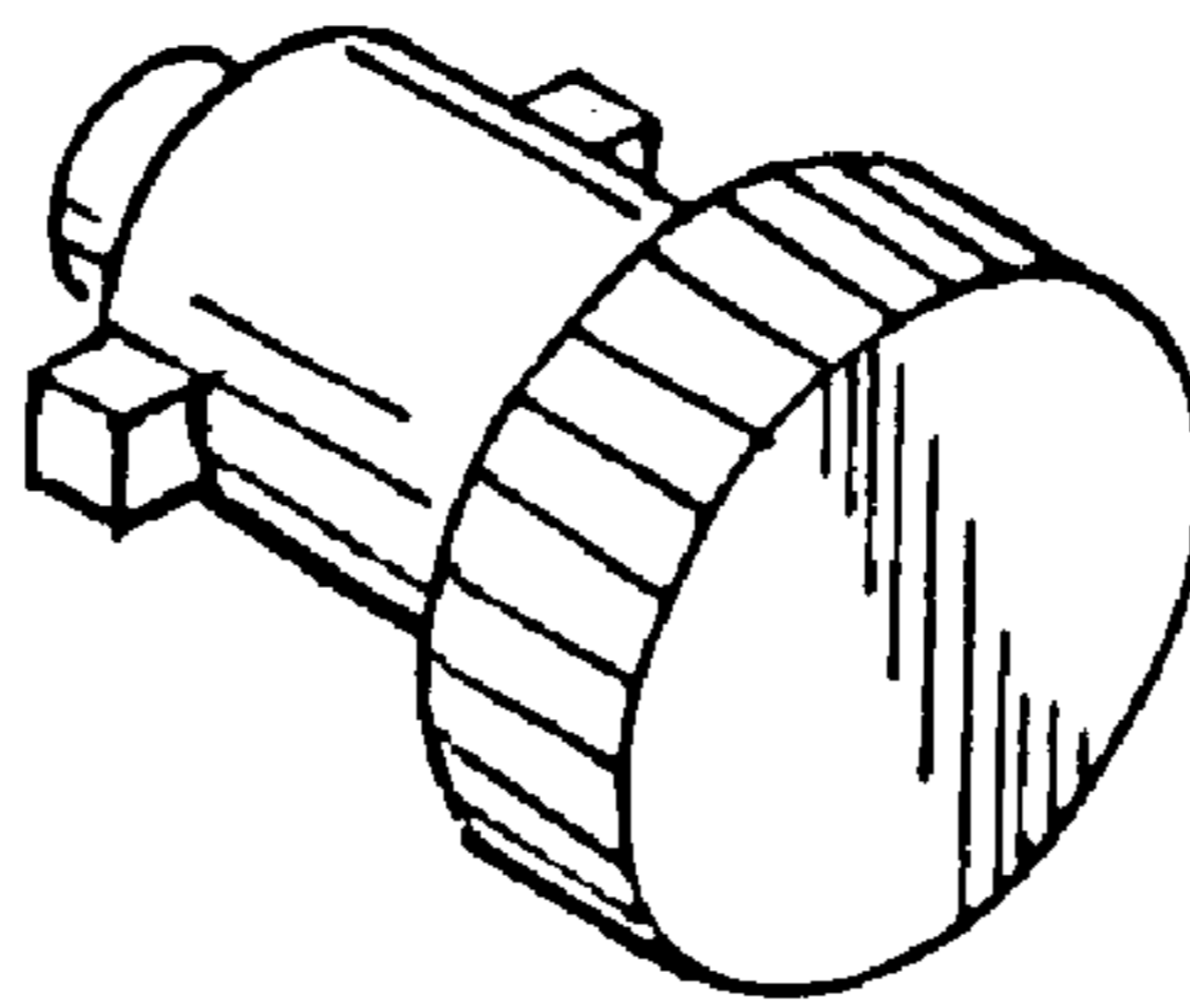
- 4,331,012 A \* 5/1982 Swisher ..... 220/210
- D315,680 S \* 3/1991 Baxter ..... D24/224
- 6,209,745 B1 \* 4/2001 Jansson ..... 220/288
- 6,453,949 B1 \* 9/2002 Chau ..... 138/89

**1 Claim, 2 Drawing Sheets**

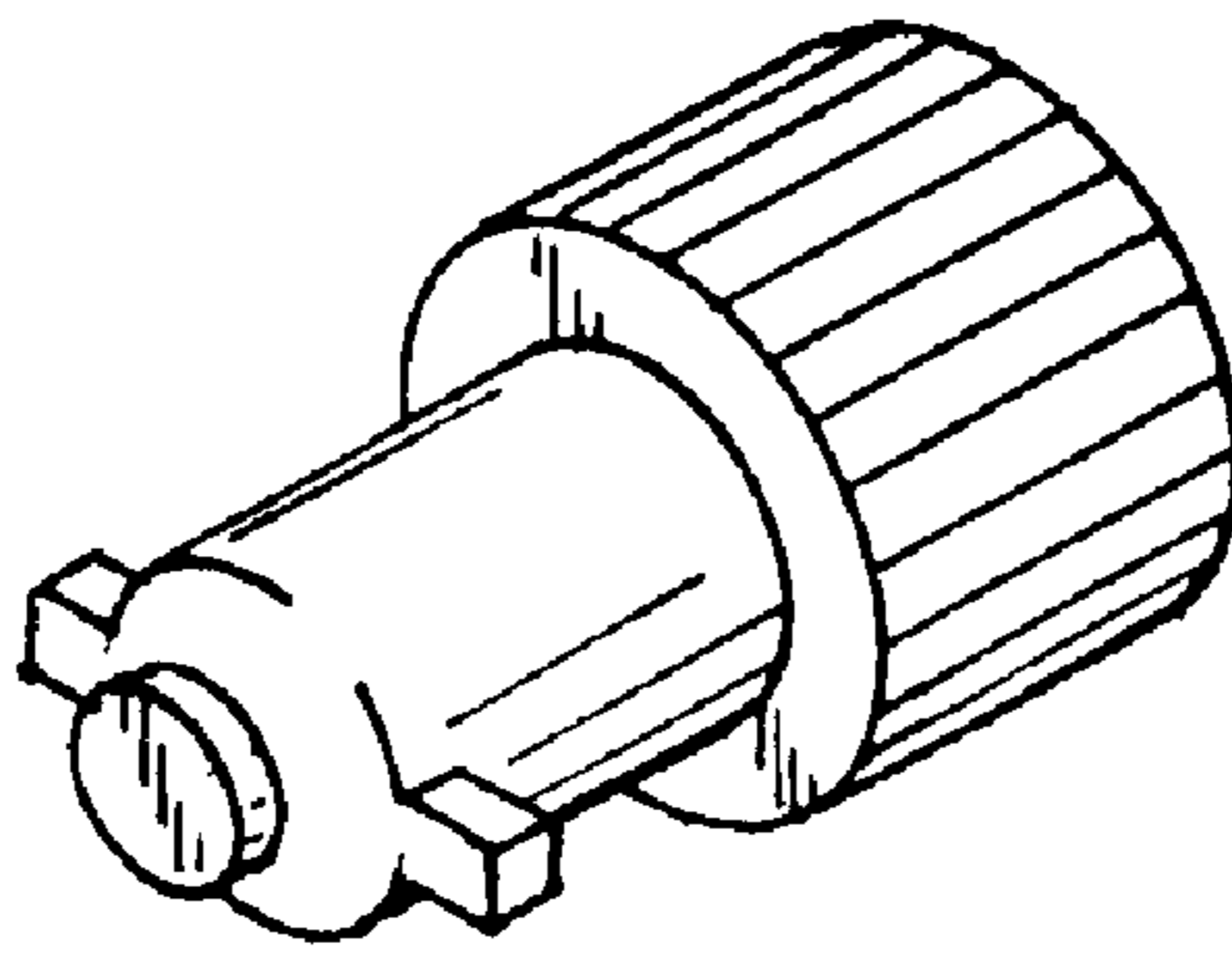




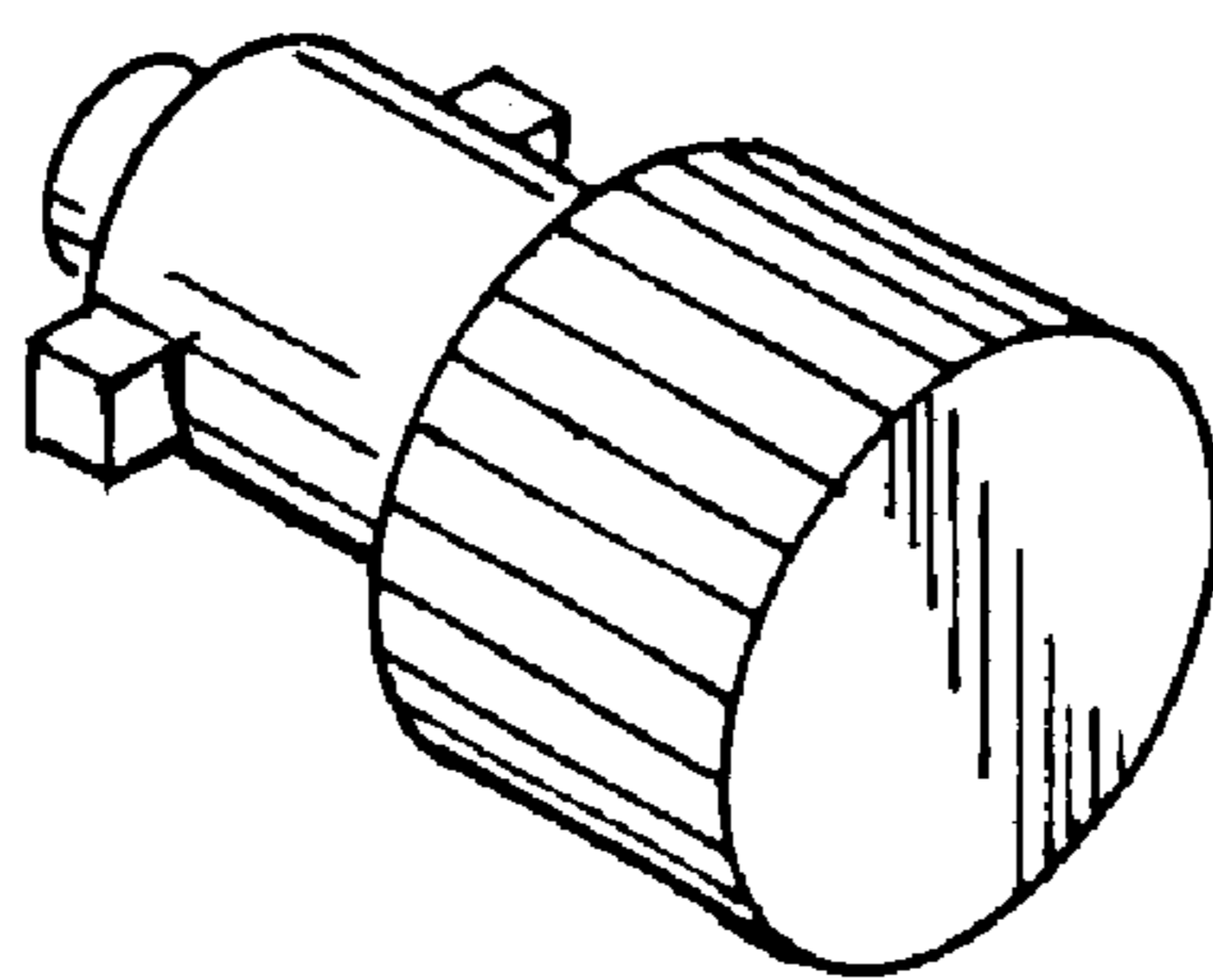
*Fig. 1*



*Fig. 2*



*Fig. 3*



*Fig. 4*