



US00D488866S

(12) **United States Design Patent**
O'Dell

(10) **Patent No.:** **US D488,866 S**

(45) **Date of Patent:** **** Apr. 20, 2004**

(54) **HYDRATION CONNECTOR**

(75) Inventor: **Philip C. O'Dell**, Cambridge (CA)

(73) Assignee: **Blackhawk Industries, Inc.**,
Chesapeake, VA (US)

(**) Term: **14 Years**

(21) Appl. No.: **29/152,834**

(22) Filed: **Jan. 3, 2002**

(51) **LOC (7) Cl.** **24-02**

(52) **U.S. Cl.** **D24/129**

(58) **Field of Search** D24/129, 110;
D23/262, 264; 128/912; 604/533, 905,
167.03, 534, 535, 538; 285/330, 328, 921,
331; 137/515

(56) **References Cited**

U.S. PATENT DOCUMENTS

2,131,740	A	10/1938	Kappelman	
2,305,841	A	12/1942	Carlson	
2,434,167	A	1/1948	Knoblauch	
2,548,528	A	4/1951	Hansen	
2,896,971	A	7/1959	Kolar	
3,635,217	A	1/1972	Potash	
3,704,002	A	11/1972	Skarzynski	
3,731,717	A	5/1973	Potash	
3,777,771	A	12/1973	De Visscher	
4,433,684	A	2/1984	Sarnoff et al.	
4,505,310	A	3/1985	Schneider	
4,712,594	A	12/1987	Schneider	
5,211,197	A	5/1993	Marrison et al.	
D380,037	S	* 6/1997	Grantham D23/262

D429,627	S	* 8/2000	Gradwell D23/262
6,145,322	A	11/2000	Odashima	
6,453,941	B1	* 9/2002	Milhas et al. 285/331
D473,646	S	* 4/2003	Baillargeon et al. D24/129

* cited by examiner

Primary Examiner—Ian Simmons

(74) *Attorney, Agent, or Firm*—Nixon & Vanderhye P.C.

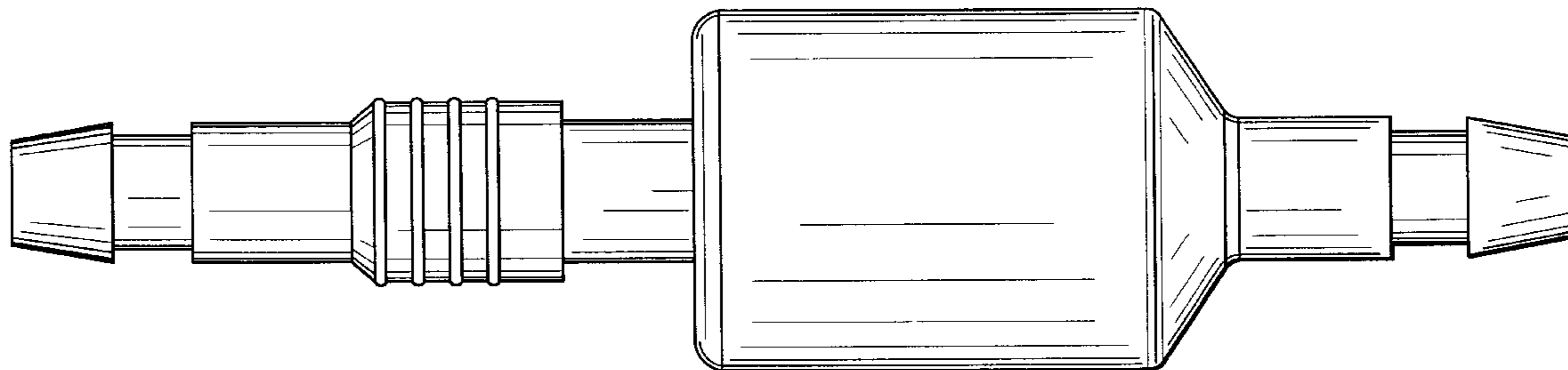
(57) **CLAIM**

The ornamental design for a hydration connector, as shown and described.

DESCRIPTION

FIG. 1 is a side view of the female portion of the hydration connector, with all side views being a identical thereto; FIG. 2 is a right end view of the female portion of the connector in FIG. 1; FIG. 3 is a left end view of the female portion of the connector in FIG. 1; FIG. 4 is a side view of the male portion of the hydration connector, with all side views being a identical thereto; FIG. 5 is a left end view of the male portion of the connector in FIG. 4; FIG. 6 is a right end view of the male portion of the connector in FIG. 4; FIG. 7 is a side view of the hydration connector showing my new design, with all side views being a identical thereto; FIG. 8 is a right end view of the connected connector in FIG. 7; and, FIG. 9 is a left end view of the connected connector in FIG. 7.

1 Claim, 4 Drawing Sheets



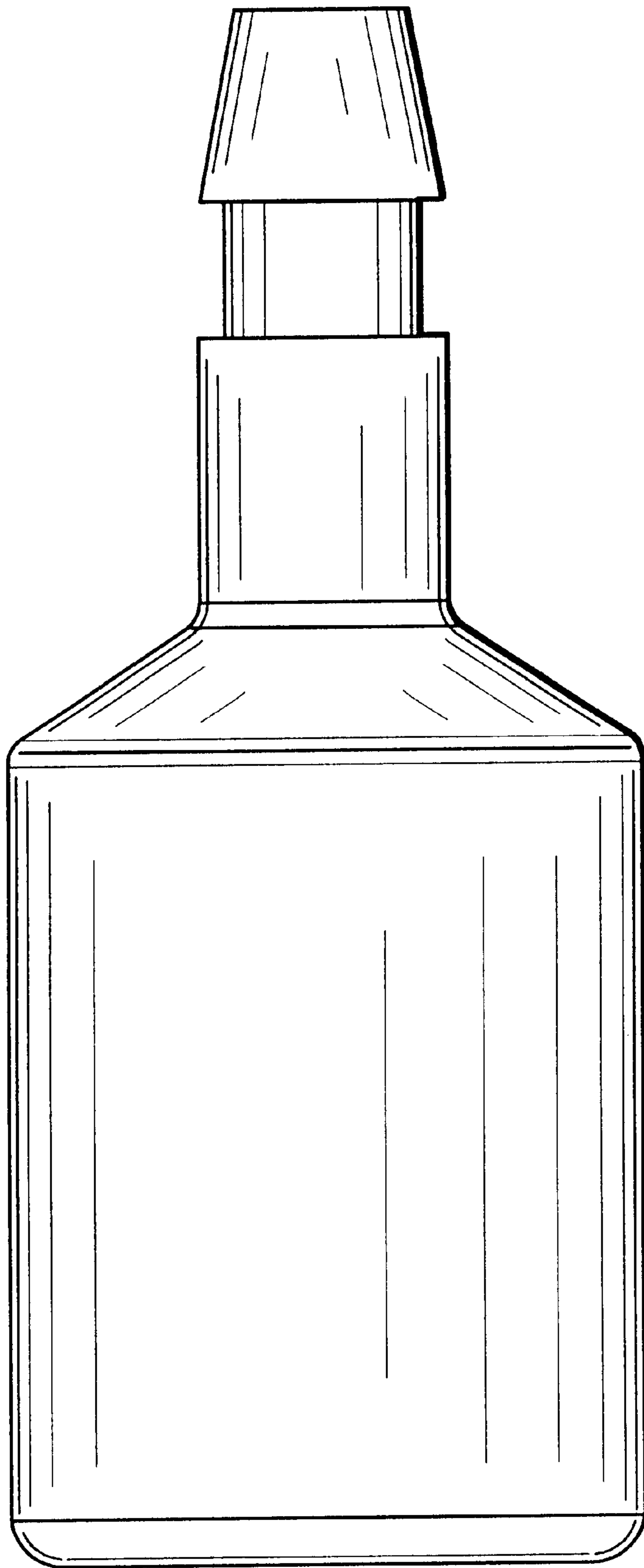


Fig. 1

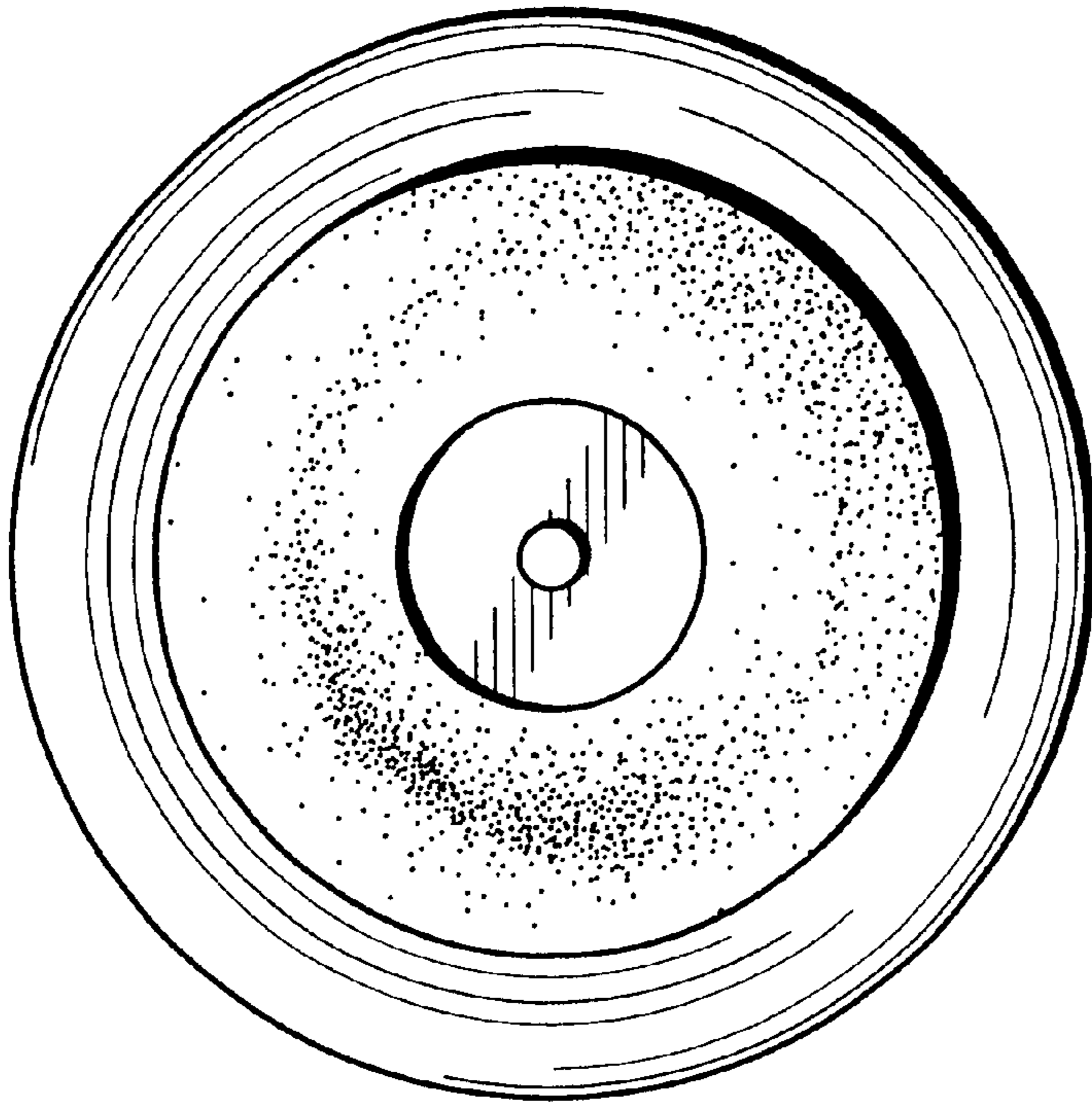


Fig.3

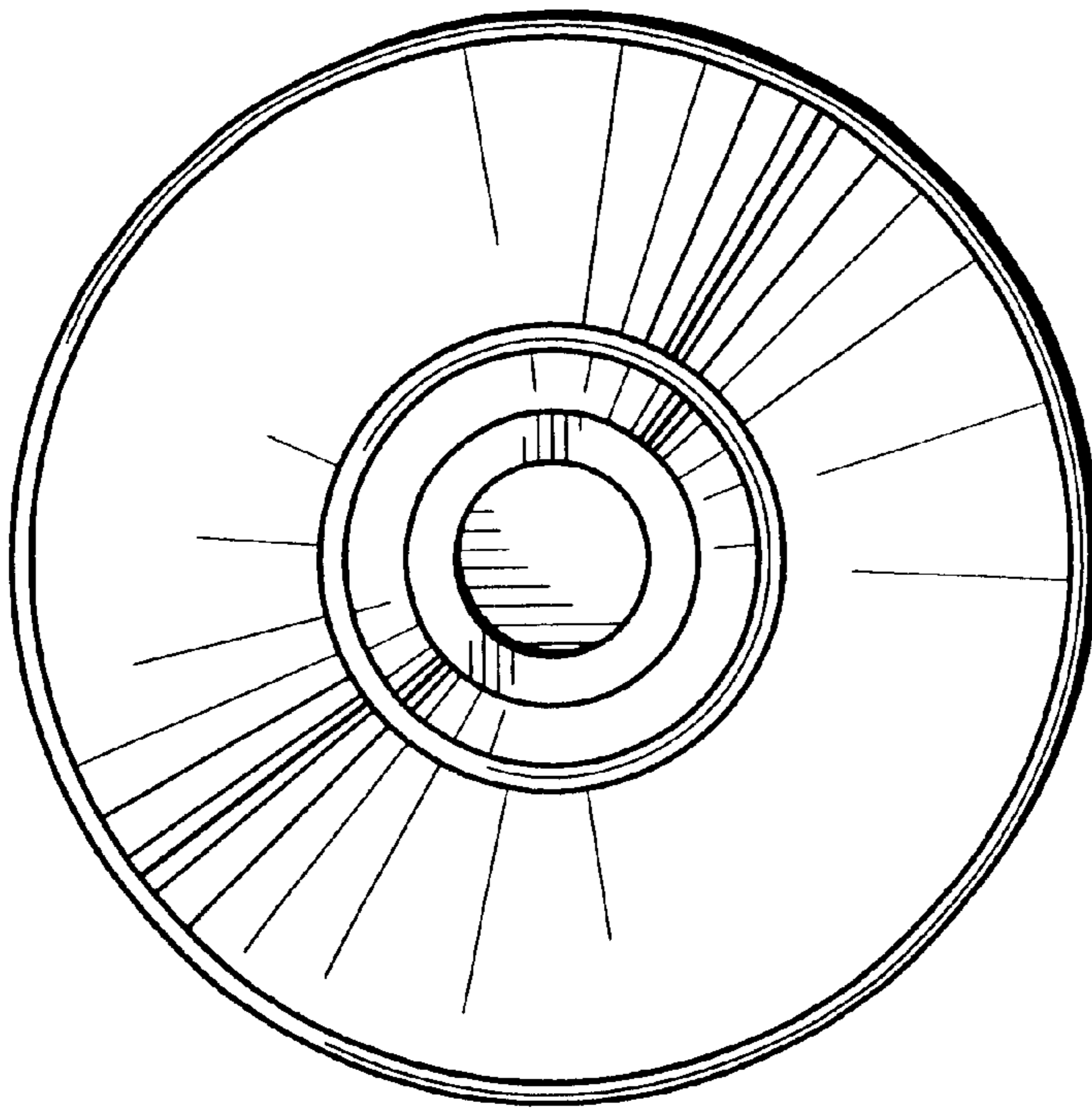


Fig.2

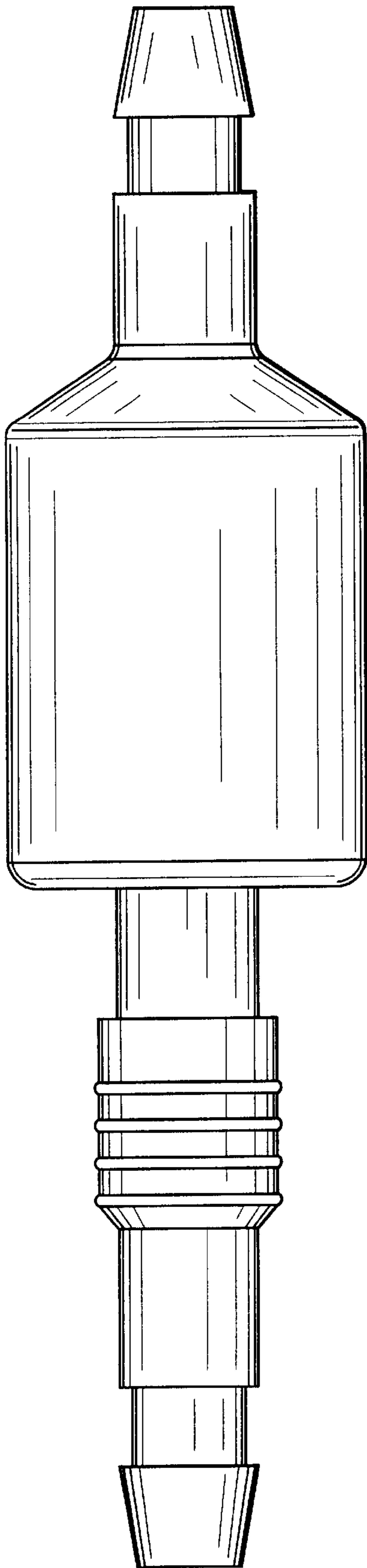


Fig. 7

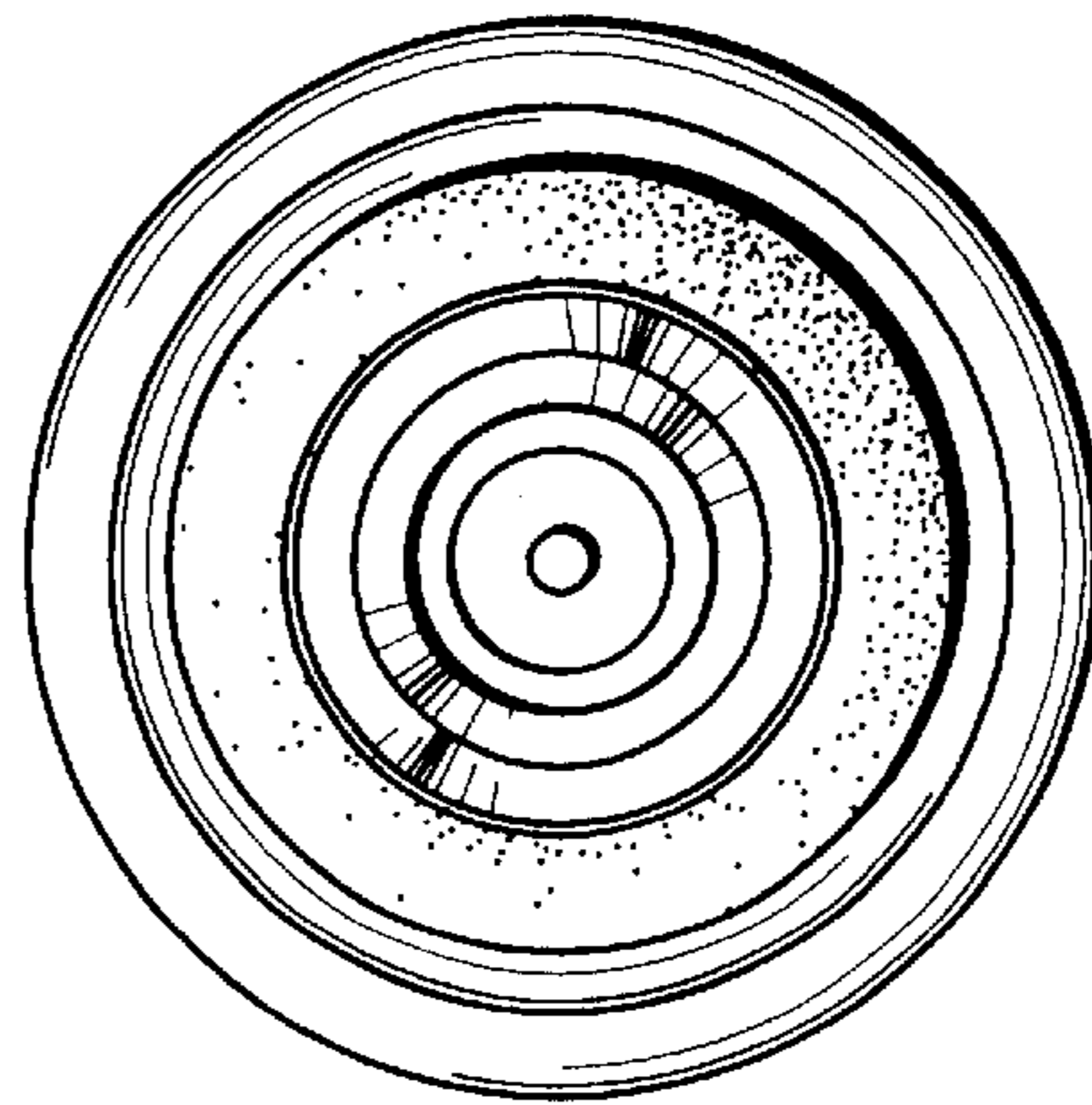


Fig. 9

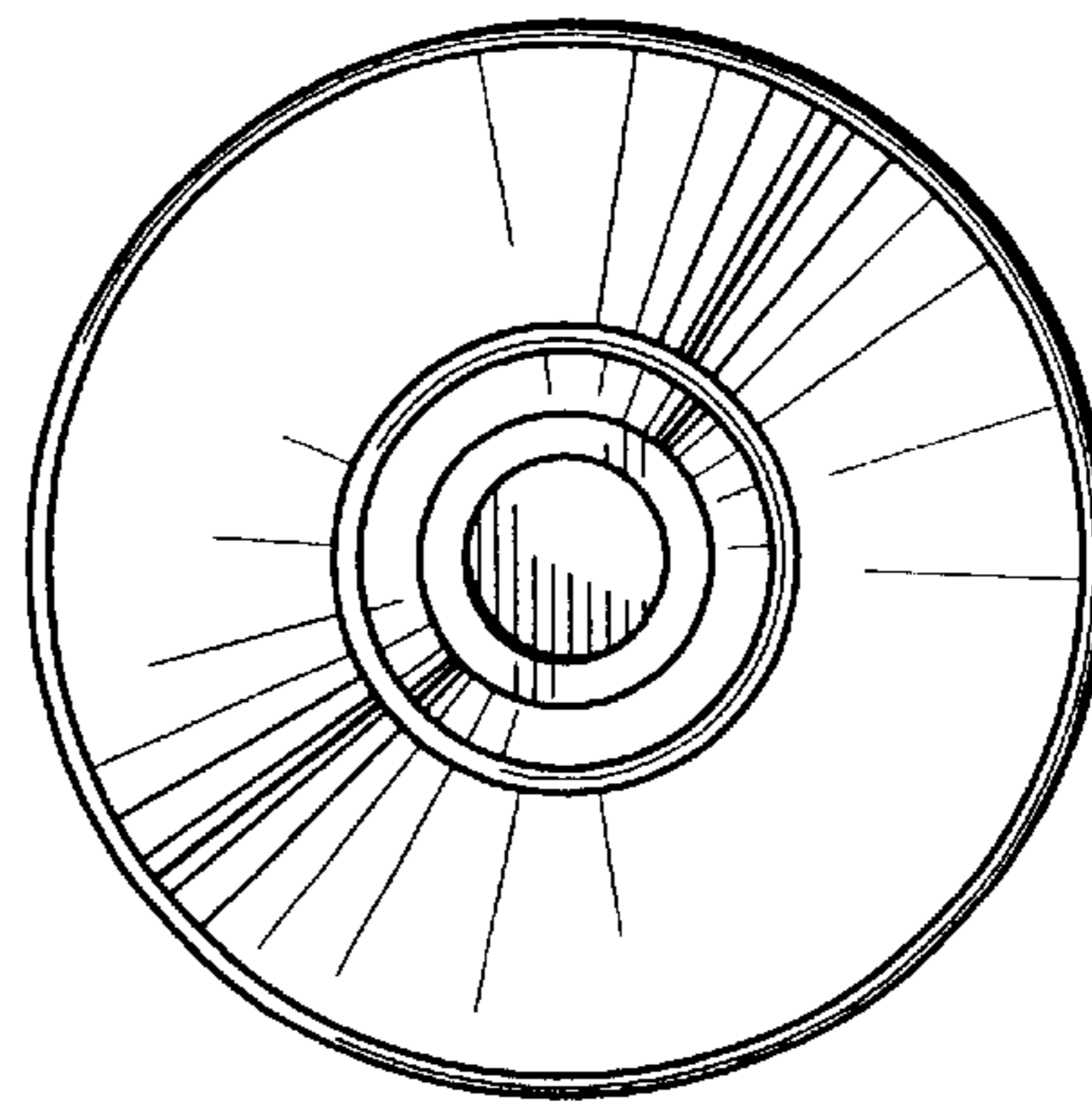


Fig. 8