



US00D488864S

(12) **United States Design Patent**
Fago et al.

(10) **Patent No.: US D488,864 S**

(45) **Date of Patent: ** Apr. 20, 2004**

- (54) **RADIOACTIVE CONTAINER**
- (75) Inventors: **Frank M. Fago**, Mason, OH (US);
Matt Bantly, Cincinnati, OH (US)
- (73) Assignee: **Mallinckrodt Inc.**, St. Louis, MI (US)
- (**) Term: **14 Years**
- (21) Appl. No.: **29/170,443**
- (22) Filed: **Nov. 6, 2002**
- (51) **LOC (7) Cl. 24-04**
- (52) **U.S. Cl. D24/121; D24/130**
- (58) **Field of Search D24/121, 128,**
D24/130, 131; 250/506.1, 507.1; 604/192,
198, 263; 206/363, 364, 365; D3/302

- 4,246,709 A 1/1981 Selleslags
- 4,278,892 A 7/1981 Baatz et al.
- 4,307,713 A 12/1981 Galkin et al.
- 4,357,541 A 11/1982 Ernst
- 4,393,864 A 7/1983 Galkin et al.
- 4,401,108 A 8/1983 Galkin et al.
- 4,447,729 A 5/1984 Doroszalai et al.
- 4,453,081 A 6/1984 Christ et al.
- 4,465,201 A 8/1984 Chalfant, Jr.
- 4,494,666 A 1/1985 Cooper et al.
- 4,596,688 A 6/1986 Popp
- 4,634,428 A 1/1987 Cuu
- 4,738,388 A 4/1988 Bienek et al.
- 4,846,235 A 7/1989 Handke
- 4,847,009 A 7/1989 Madle et al.
- 4,847,505 A 7/1989 Suthanthiran
- 4,851,702 A 7/1989 Perlman
- 4,869,299 A 9/1989 Handke
- 4,892,525 A 1/1990 Hermann, Jr. et al.

(List continued on next page.)

(56) **References Cited**

U.S. PATENT DOCUMENTS

- 2,682,352 A 6/1954 Hawkins et al.
- 2,812,231 A 11/1957 Zar
- 3,016,462 A 1/1962 Hendricksen et al.
- 3,149,717 A 9/1964 Castelli
- 3,272,322 A 9/1966 Ogle
- 3,294,231 A * 12/1966 Vanderbeck 206/365
- 3,367,488 A 2/1968 Hamilton
- 3,531,644 A 9/1970 Koster
- 3,612,321 A 10/1971 Larson
- 3,618,836 A 11/1971 Bushnell
- 3,673,411 A 6/1972 Glasser
- 3,677,247 A 7/1972 Brown
- 3,732,423 A 5/1973 Peterson
- 3,770,964 A 11/1973 Backus
- 3,882,315 A 5/1975 Soldan
- 3,968,876 A 7/1976 Brookfield
- 3,971,955 A 7/1976 Heyer et al.
- 3,993,063 A 11/1976 Larrabee
- 4,060,073 A 11/1977 Collica et al.
- 4,062,353 A 12/1977 Foster et al.
- 4,081,688 A 3/1978 Fries
- 4,092,546 A 5/1978 Larrabee
- 4,106,622 A 8/1978 Windischman
- 4,122,836 A 10/1978 Burnett
- 4,200,804 A 4/1980 Farella et al.

FOREIGN PATENT DOCUMENTS

- GB 2198682 A 6/1988
- JP 03080232 11/1992

OTHER PUBLICATIONS

Syncor; Nuclear Medicine Services, Supplies, and Health Physics Accessories; Syncor Product Catalog Web Site; 2003; pp. 1, 25, 132; Woodland Hills, CA; US.

Primary Examiner—Stella Reid
(74) *Attorney, Agent, or Firm*—Tim A. Cheatham

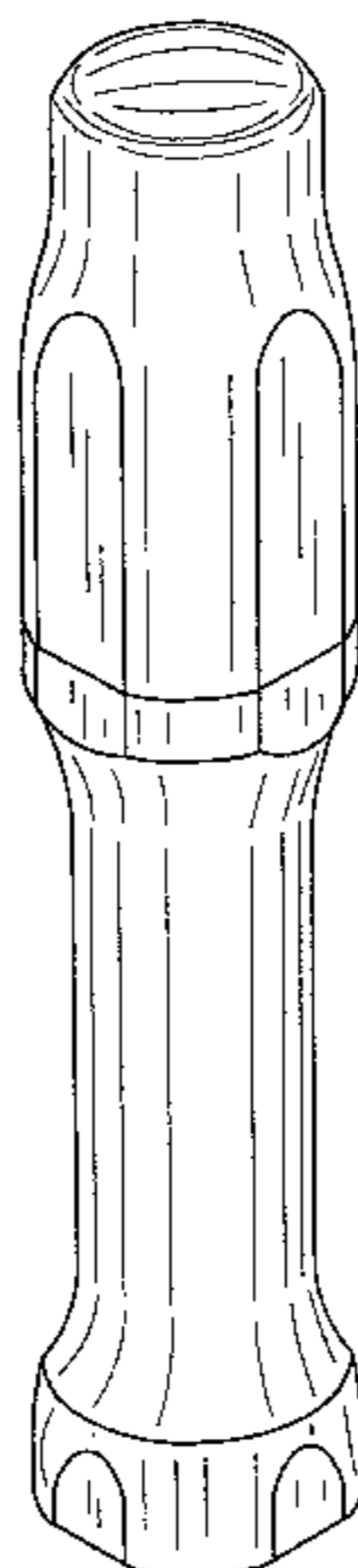
(57) **CLAIM**

The ornamental design for a radioactive container, as shown and described.

DESCRIPTION

FIG. 1 is a perspective view of a radioactive container, showing our new design;
FIG. 2 is a side elevational view thereof;
FIG. 3 is a top plan view thereof; and,
FIG. 4 is a bottom plan view thereof.

1 Claim, 1 Drawing Sheet



US D488,864 S

Page 2

U.S. PATENT DOCUMENTS					
4,917,263 A	4/1990	Korb	5,536,945 A	7/1996	Reich
4,923,088 A	5/1990	Tanaka et al.	5,545,139 A	8/1996	Kriesel
4,979,616 A	12/1990	Clanton	5,552,612 A	9/1996	Katayama et al.
5,042,679 A	8/1991	Crowson et al.	5,560,511 A	10/1996	McNerney
5,096,062 A	3/1992	Burkardt et al.	5,611,429 A	3/1997	Phillips
5,099,998 A	3/1992	Curzon et al.	5,672,883 A	9/1997	Reich
5,116,597 A	5/1992	Srivastava et al.	5,775,019 A	7/1998	Johnson
5,145,063 A	9/1992	Lee	5,828,073 A	10/1998	Zhu et al.
5,157,900 A	10/1992	Kupersmit	5,834,788 A	11/1998	Fu et al.
5,245,117 A	9/1993	Withers et al.	D405,609 S *	2/1999	Fu et al. D3/302
5,277,312 A	1/1994	Vumbaca	5,918,443 A	7/1999	Phillips
5,293,993 A	3/1994	Yates, Jr. et al.	6,047,488 A	4/2000	Tuskiewicz
5,303,836 A	4/1994	Childress	RE36,693 E	5/2000	Reich
5,323,719 A	6/1994	Withers et al.	6,155,420 A	12/2000	Phillips
5,385,105 A	1/1995	Withers, Jr. et al.	6,162,198 A	12/2000	Coffey et al.
5,417,326 A	5/1995	Winer	D447,231 S *	8/2001	Chen Fu et al. D24/121
D364,501 S	11/1995	Gough	6,323,501 B1	11/2001	White et al.
5,519,931 A	5/1996	Reich	6,425,174 B1	7/2002	Reich
5,529,189 A	6/1996	Feldschuh	2001/0032851 A1	10/2001	Pennington et al.

* cited by examiner

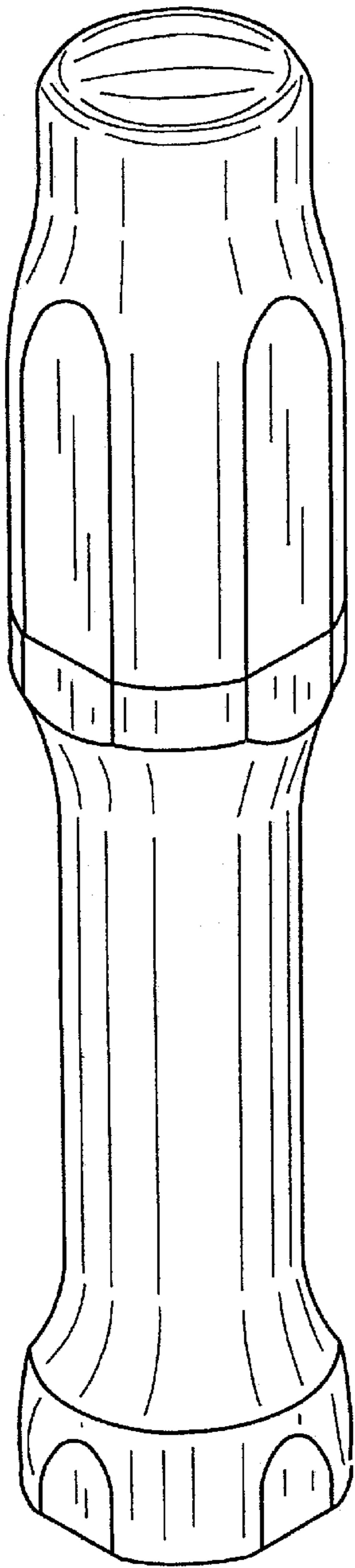


FIG. 1

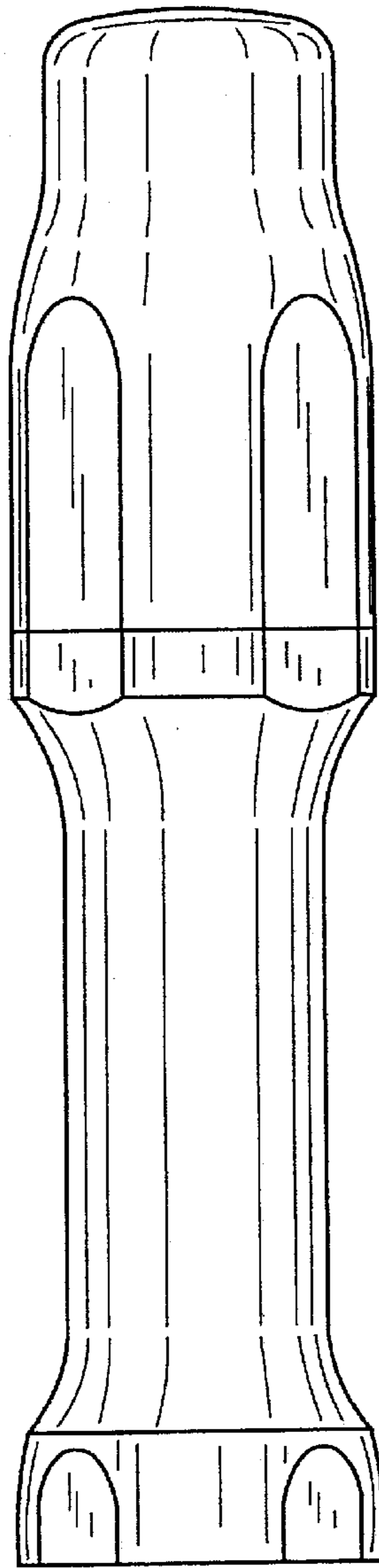


FIG. 2

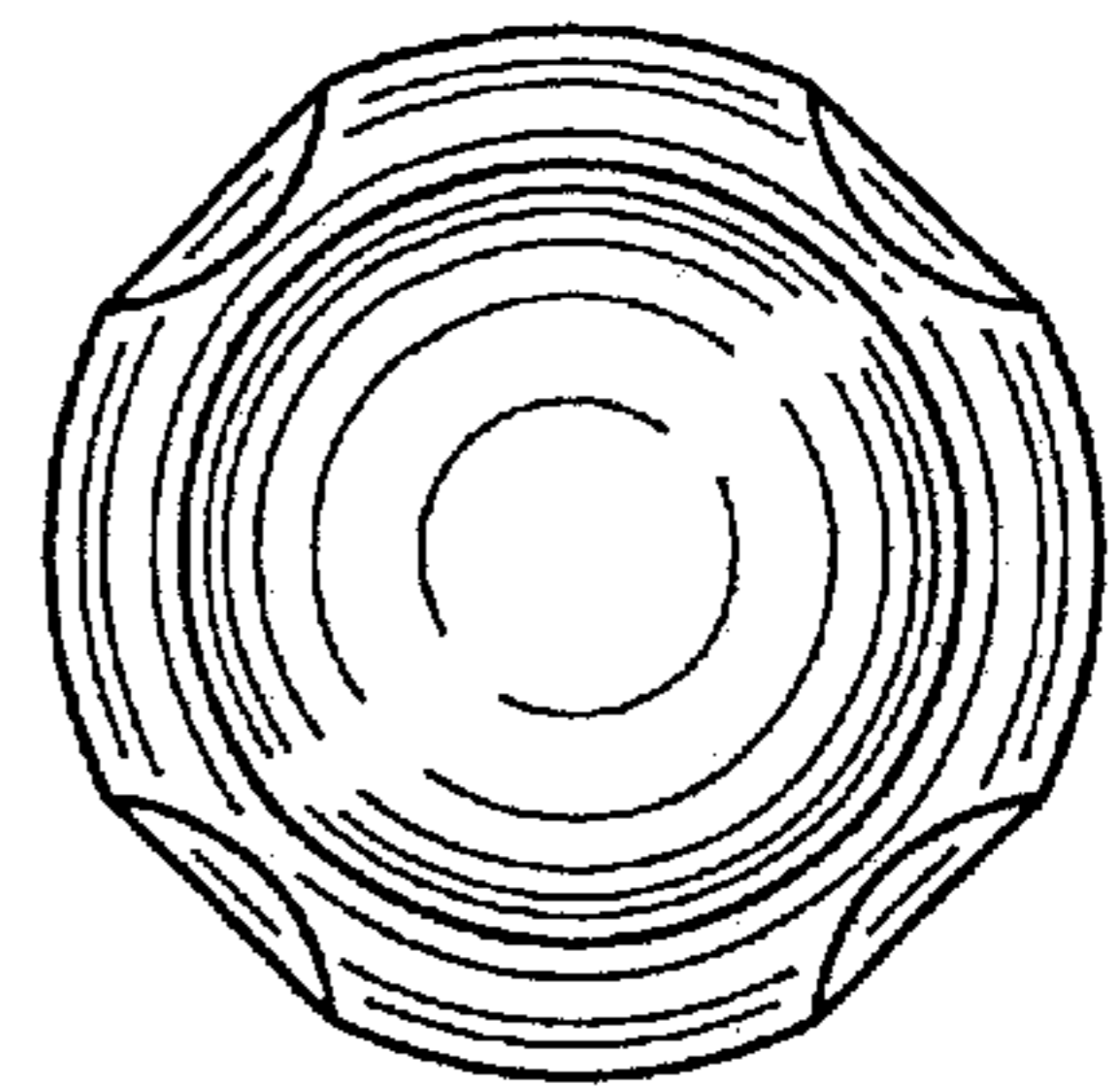


FIG. 3

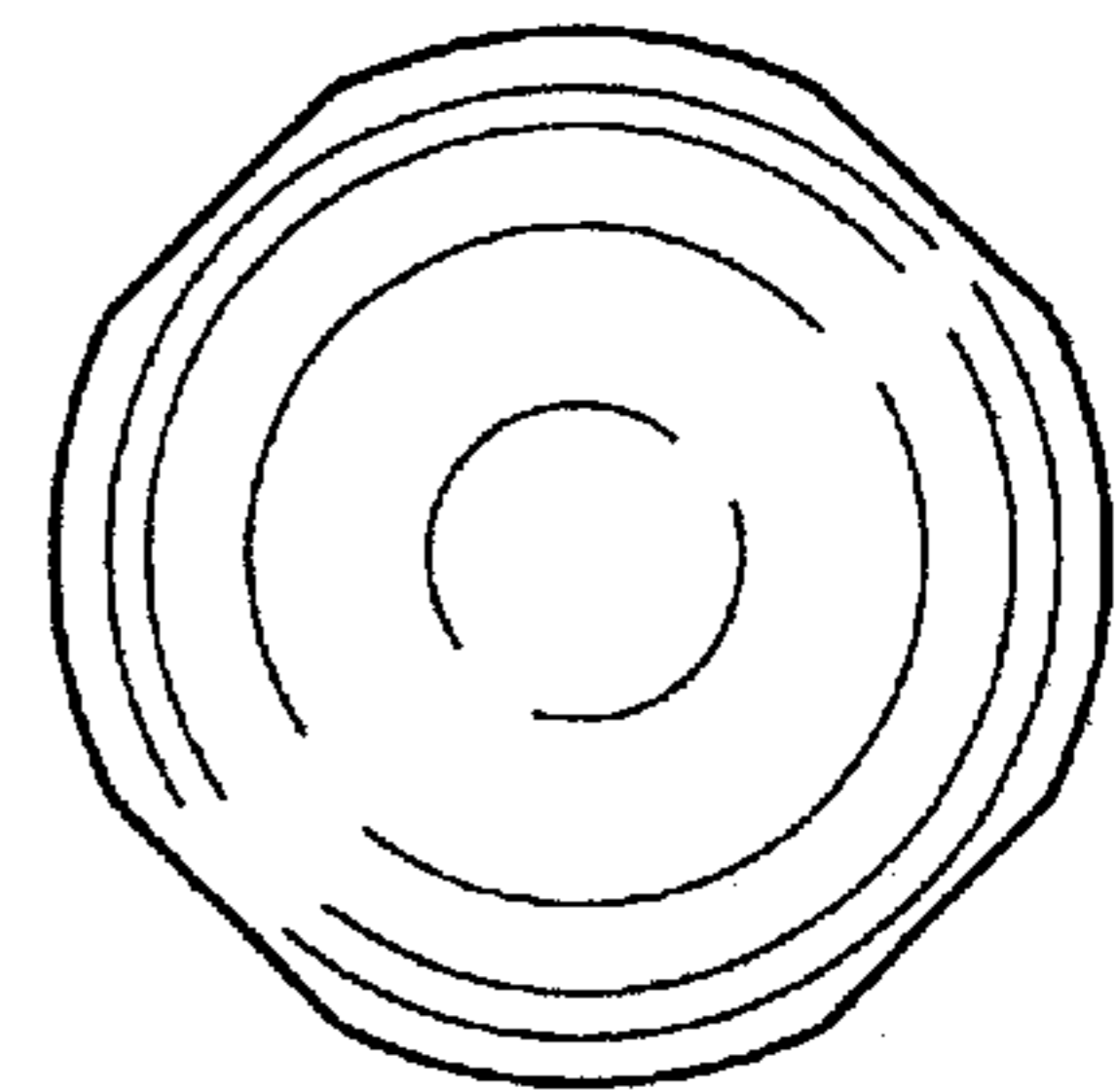


FIG. 4