



US00D488863S

(12) **United States Design Patent**  
**Quinn**

(10) **Patent No.:** **US D488,863 S**

(45) **Date of Patent:** **\*\* Apr. 20, 2004**

(54) **CONTAINERS FOR COMPONENTS OF MEDICAL DEVICES**

D263,622 S \* 3/1982 Hasson ..... D9/341  
5,161,681 A \* 11/1992 Kemp et al. .... 206/364  
D456,524 S \* 4/2002 Hehenberger ..... D24/217

(75) Inventor: **Ian Quinn**, Co. Galway (IE)

\* cited by examiner

(73) Assignee: **Creganna Limited**, Galway (IE)

*Primary Examiner*—Ian Simmons

(\*\*) Term: **14 Years**

(74) *Attorney, Agent, or Firm*—Merchant & Gould, P.C.

(21) Appl. No.: **29/139,307**

(57) **CLAIM**

(22) Filed: **Mar. 28, 2001**

The ornamental design for containers for components of medical devices, as shown and described.

(30) **Foreign Application Priority Data**

**DESCRIPTION**

Sep. 29, 2000 (IE) ..... 468/00

(51) **LOC (7) Cl.** ..... **24-04**

FIG. 1 is a view of end, mirror image to the other end.

(52) **U.S. Cl.** ..... **D24/121; D9/432**

FIG. 2 is a view from above, front and one end, view from the rear corresponds.

(58) **Field of Search** ..... D24/224, 121, D24/217; D9/432, 414, 341; D3/203; 206/570, 210, 438, 530, 367, 364, 363, 365

FIG. 3 is a view from above, side and one end, view from other side corresponds; and,

(56) **References Cited**

FIG. 4 is an enlarged view from side and end, mirror image to the other end.

**U.S. PATENT DOCUMENTS**

866,995 A \* 9/1907 Wright ..... 206/570

**1 Claim, 1 Drawing Sheet**

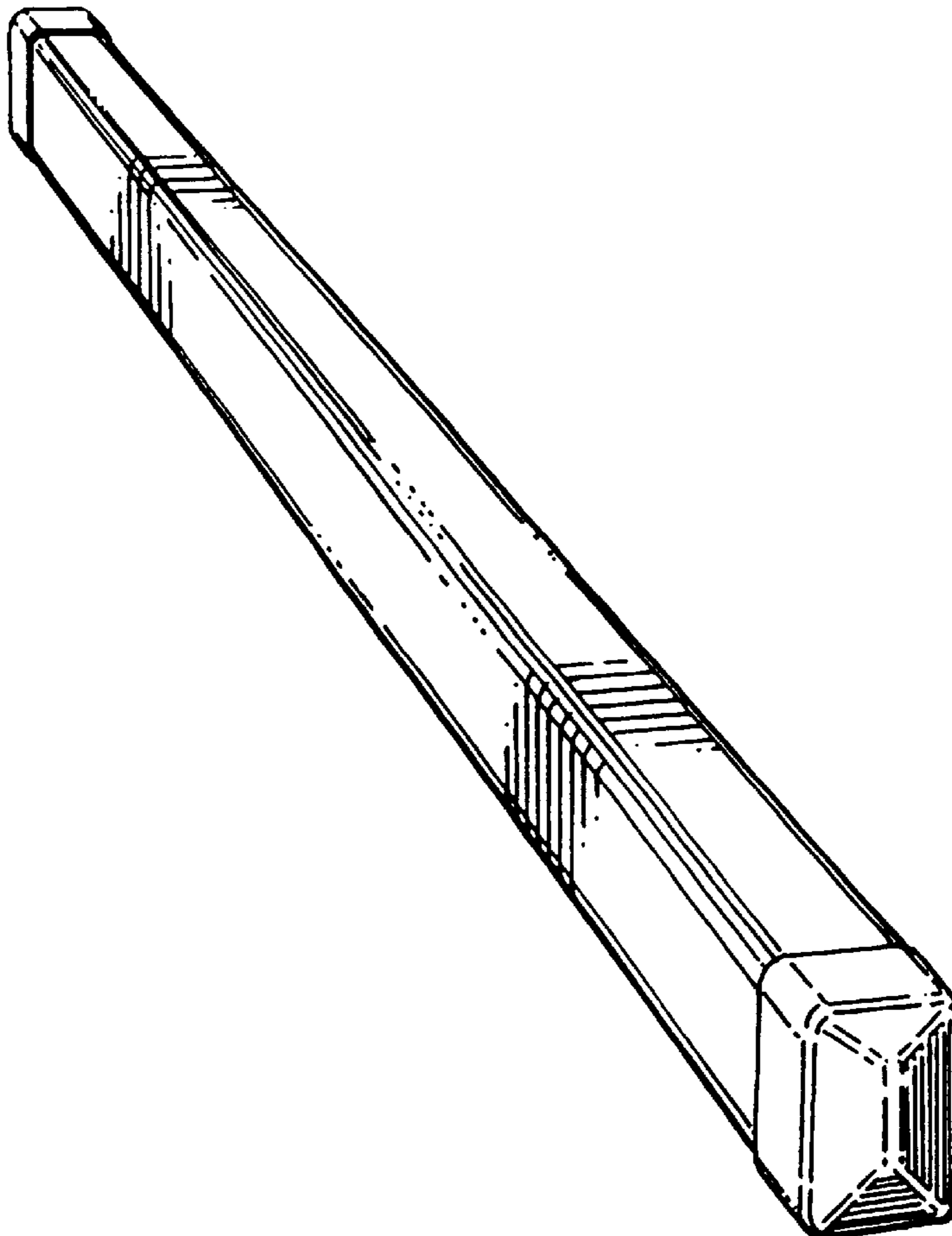




FIGURE 1

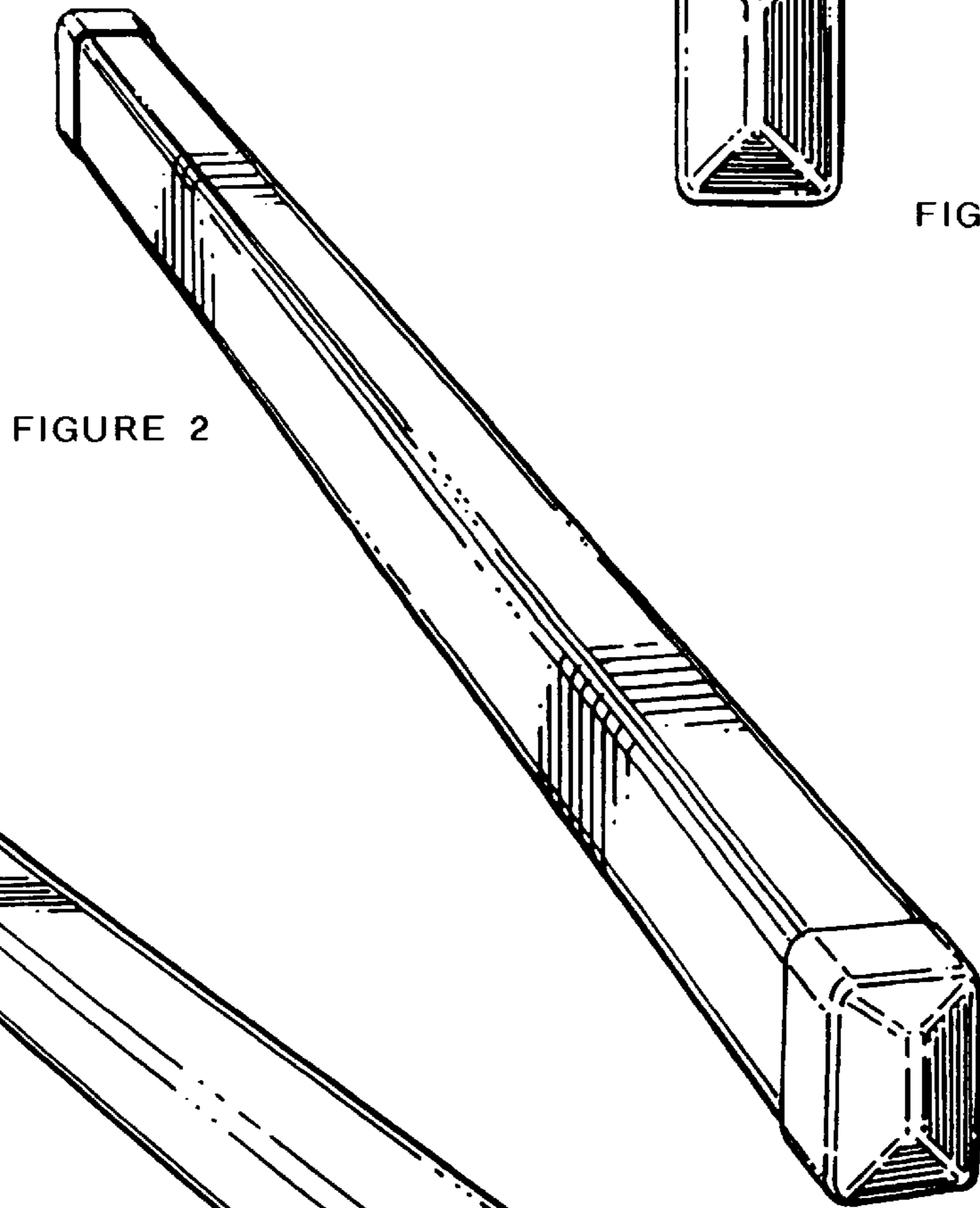


FIGURE 2

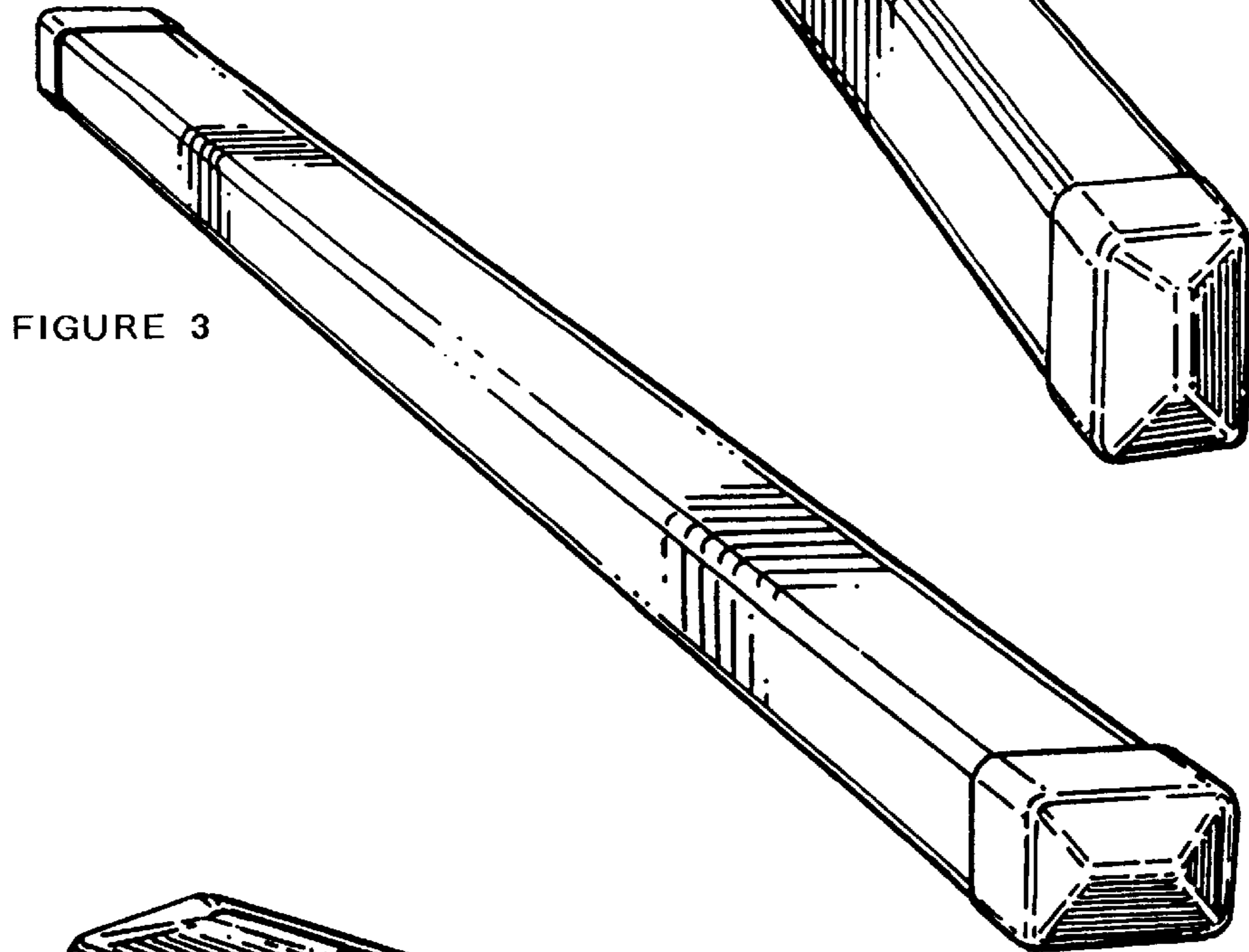


FIGURE 3

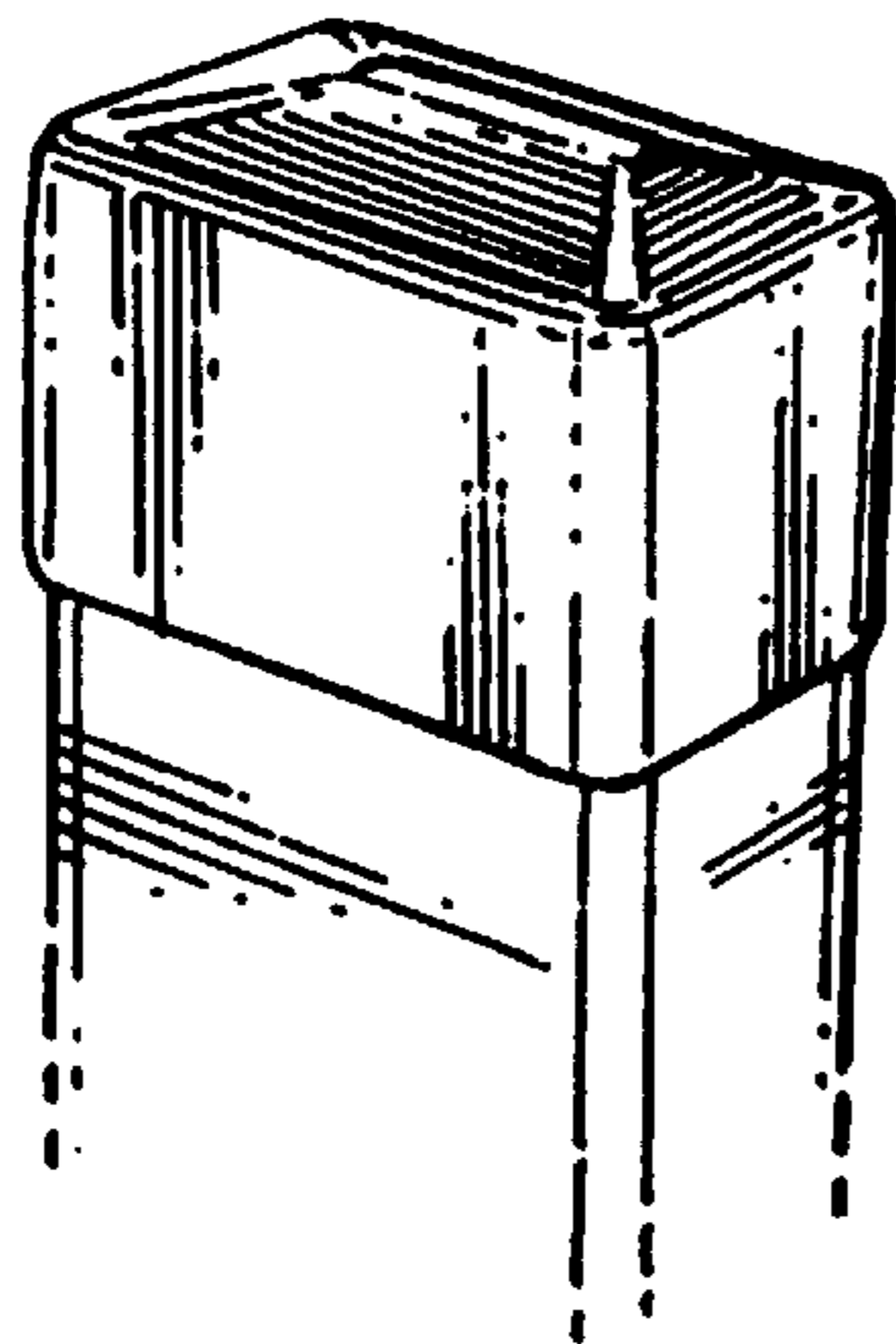


FIGURE 4