



US00D488862S

(12) **United States Design Patent** (10) **Patent No.:** **US D488,862 S**
McCalmon et al. (45) **Date of Patent:** **** Apr. 20, 2004**

(54) **HANDPIECE FOR JET INJECTOR**

FOREIGN PATENT DOCUMENTS

(75) Inventors: **Pat McCalmon**, Lenexa, KS (US);
Boris Smolliarov, Vorenezh (RU);
Mike Mathews, Lenexa, KS (US)

FR 2629348 10/1989
FR 2641190 7/1990
RO 0106078 2/1993

(List continued on next page.)

(73) Assignee: **Felton International, Inc.**, Lenexa, KS (US)

OTHER PUBLICATIONS

(**) Term: **14 Years**

Cool. Click: A Needle-Free Device For Growth Hormone Delivery, *The Medical Letter*, vol. 43, No. 1095, pp. 2-3 (Jan. 8, 2001).

(21) Appl. No.: **29/161,909**

Brochure on Agro-Jet: Needle-Less Injector by M.I.T. Dimache, et al., *A Clinical, Epidemiological and Laboratory Study on Avoiding the Risk of Transmitting Viral Hepatitis During Vaccinations with the Dermojet Protected by an Anticontaminant Disposable Device*, *Vaccine*, vol. 15, No. 8, pp. 1010-13 (1997).

(22) Filed: **Jun. 4, 2002**

(51) **LOC (7) Cl.** **24-02**

(52) **U.S. Cl.** **D24/113; D24/133; D24/146**

(58) **Field of Search** D24/113, 114,
D24/133, 146, 147, 143, 111; 604/68, 71,
70, 140, 27

Jet Gun Injection Transmission: *A Clinical, Epidemiological and Laboratory Study on Avoiding the Risk of Transmitting Viral Hepatitis During Vaccinations with the Dermojet Protected by an Anticontaminant Disposable Device*, *American Journal of Infection Control*, vol. 26, No. 4, pp. 442-5 (Aug. 1998).

(56) **References Cited**

Primary Examiner—Ian Simmons

U.S. PATENT DOCUMENTS

- 3,057,349 A 10/1962 Ismach
- 3,202,151 A 8/1965 Kath
- 3,292,622 A 12/1966 Banker
- 3,490,451 A 1/1970 Yahner
- 3,518,990 A 7/1970 Banker
- 3,526,225 A 9/1970 Isobe
- 3,561,443 A 2/1971 Banker
- 3,859,996 A 1/1975 Mizzy et al.
- D248,568 S 7/1978 Ismach
- 4,103,684 A 8/1978 Ismach
- 4,266,541 A 5/1981 Landau
- 4,400,171 A 8/1983 Dettbarn et al.
- 4,519,385 A * 5/1985 Atkinson et al. 604/27
- 5,176,645 A 1/1993 Guerrero
- 5,312,335 A 5/1994 McKinnon et al.
- D352,780 S * 11/1994 Glaeser et al. D24/133
- 5,746,714 A 5/1998 Salo et al.
- 5,865,796 A 2/1999 McCabe
- D422,697 S 4/2000 Bellhouse et al.
- 6,053,889 A 4/2000 Heinzen et al.
- D439,334 S * 3/2001 Hershberger et al. D24/133

(74) *Attorney, Agent, or Firm*—Mayer Brown Rowe & Maw LLC; Joseph A. Mahoney; Christine M. Rebman

(57) **CLAIM**

The ornamental design for a handpiece for jet injector, as shown and described.

DESCRIPTION

FIG. 1 is a side view of the handpiece of the present invention.

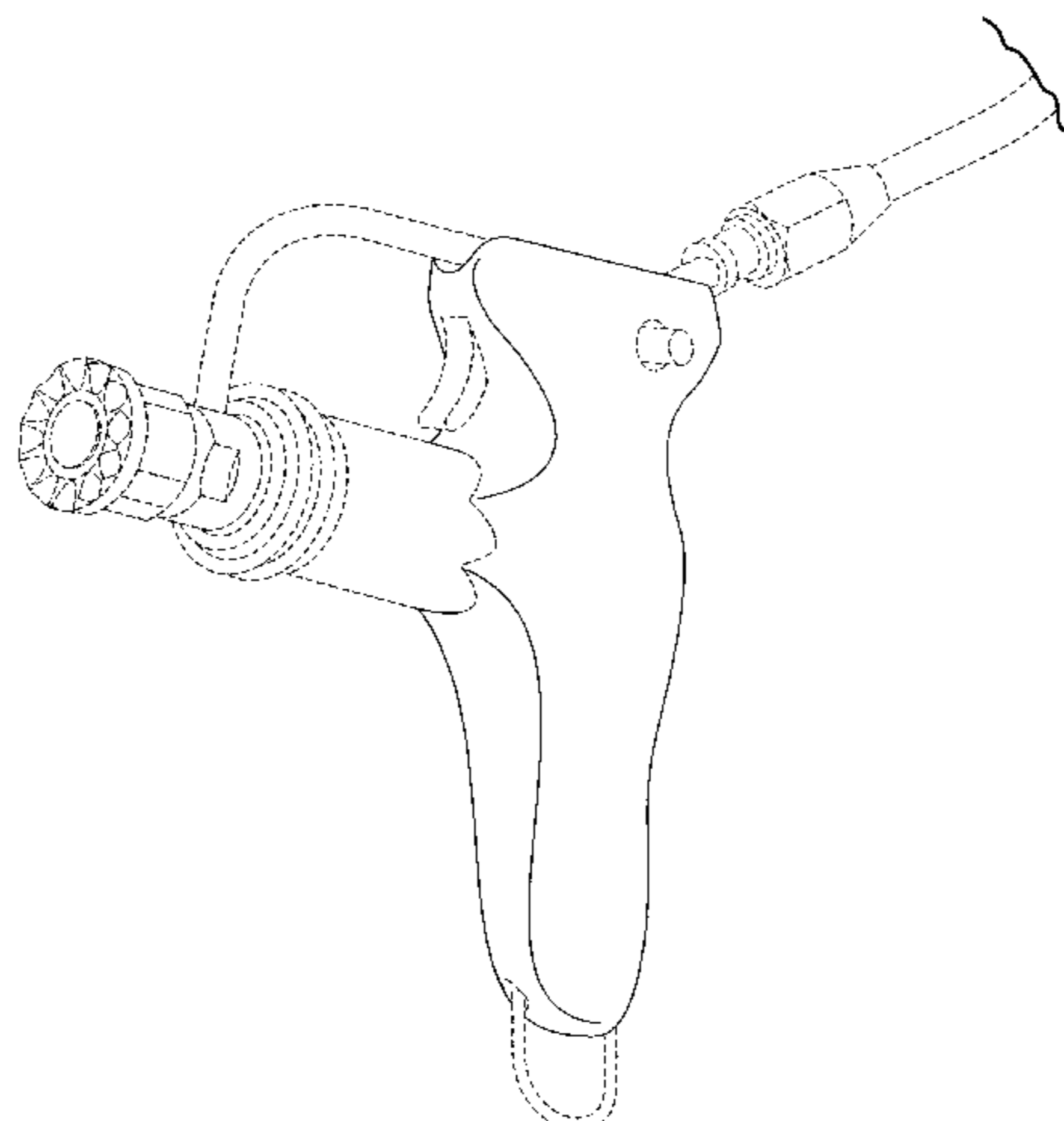
FIG. 2 is a bottom perspective view of the handpiece of the present invention.

FIG. 3 is a side perspective view of the handpiece of the present invention; and,

FIG. 4 is a top perspective view of the handpiece of the present invention.

The broken lines included in the drawings depict environment and are not part of the claimed design.

1 Claim, 4 Drawing Sheets



US D488,862 S

Page 2

FOREIGN PATENT DOCUMENTS					
			SU	1107874	8/1984
			SU	1144705	3/1985
RO	0108150	2/1994	SU	1168261	7/1985
RU	2008932	3/1994	SU	1219093	3/1986
RU	2108117	4/1998	SU	1230600	5/1986
SU	0573160	11/1977	SU	1271524	11/1986
SU	0793580	1/1981	SU	1560201	4/1990
SU	0835448	6/1981	SU	1839090	12/1993
SU	0835449	6/1981			
SU	0957914	9/1982			

* cited by examiner

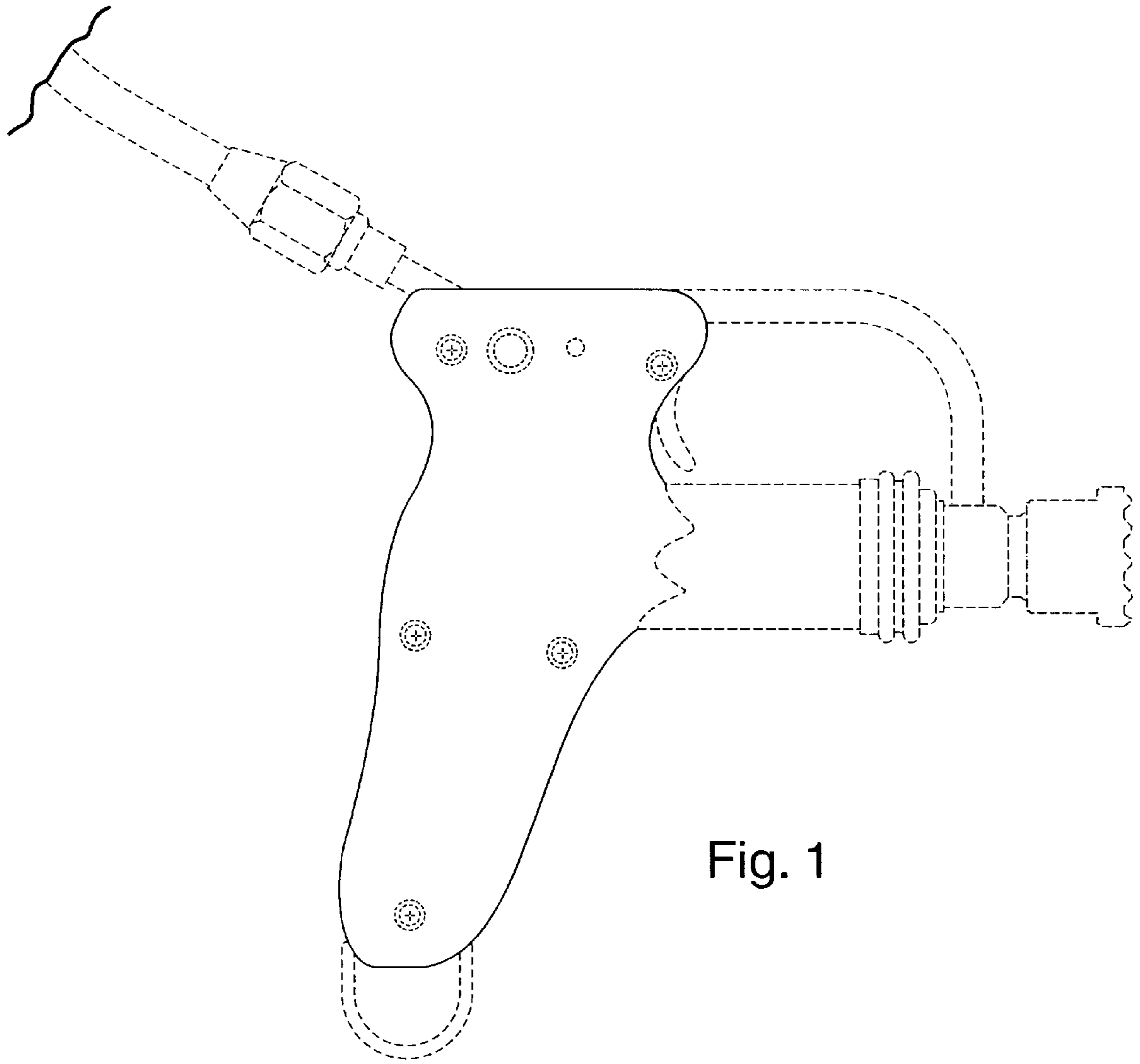


Fig. 1

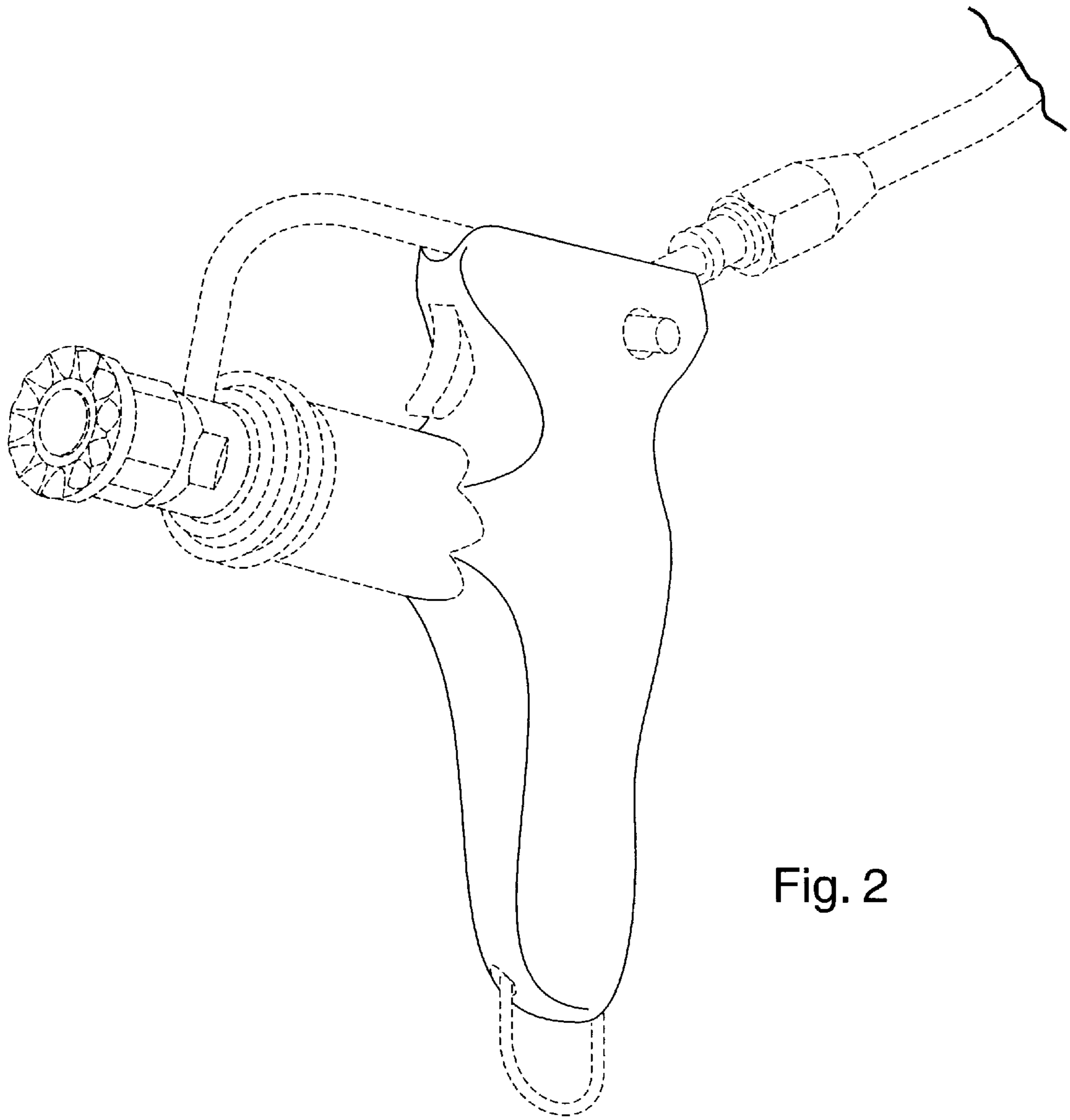


Fig. 2

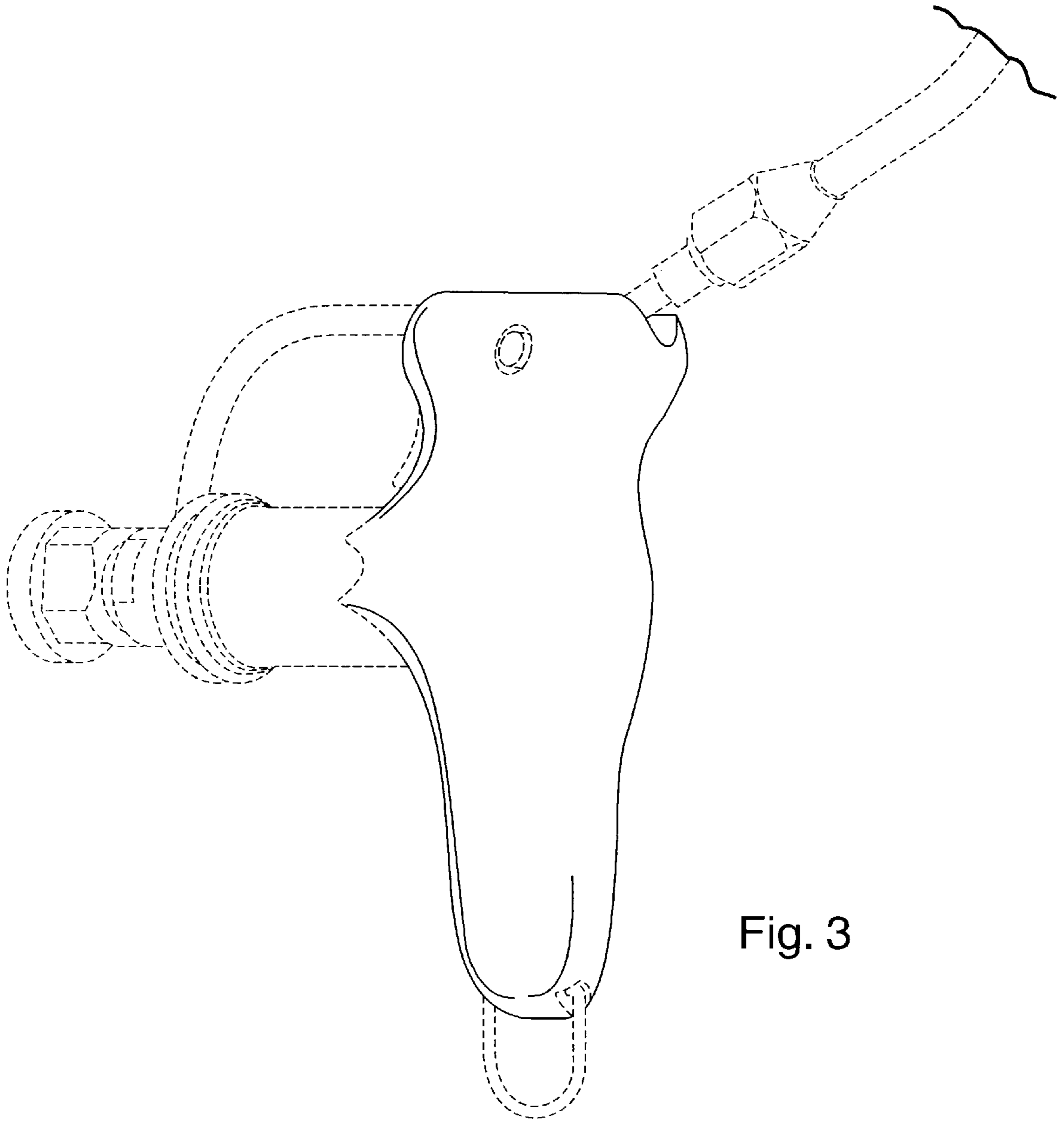


Fig. 3

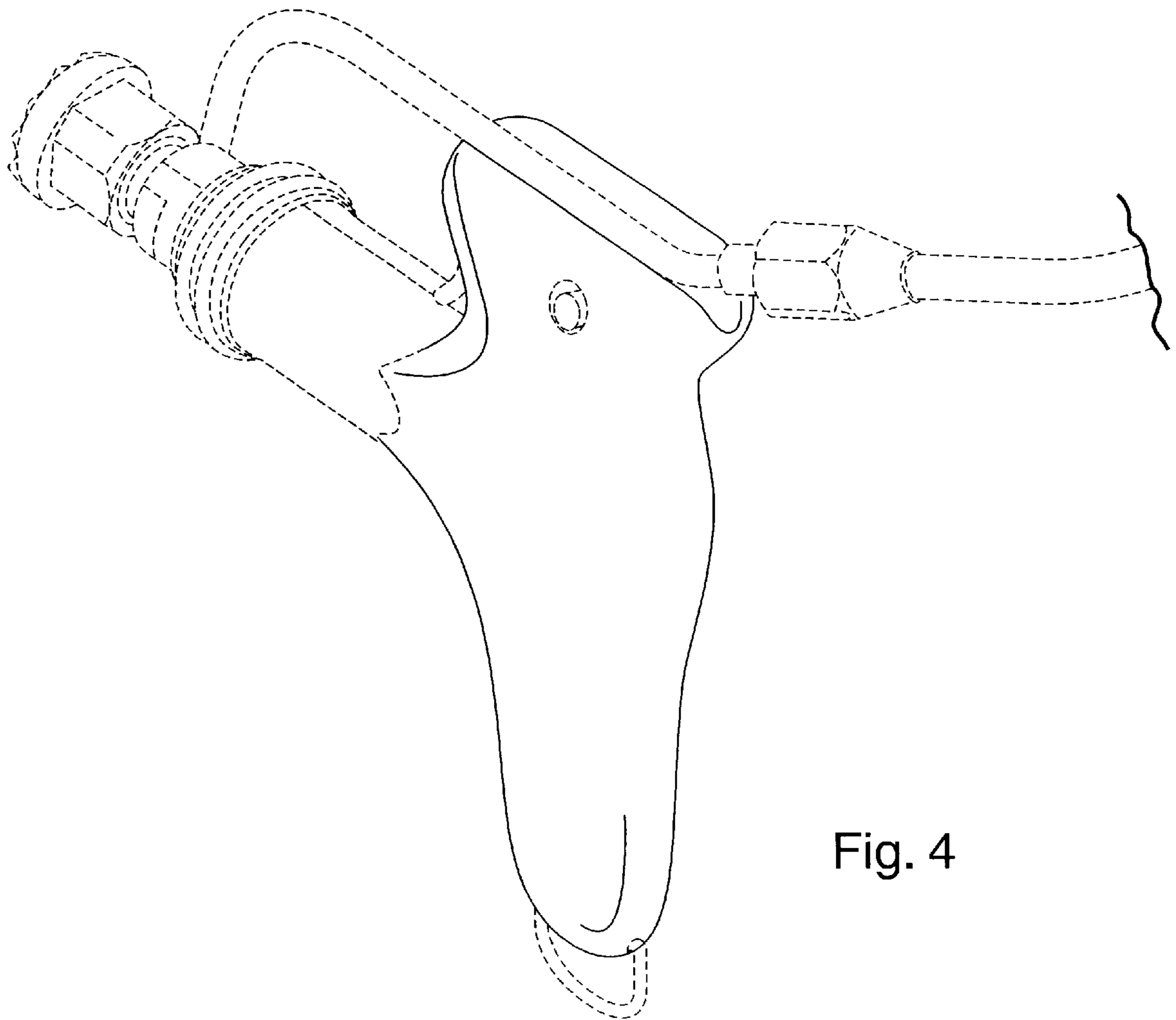


Fig. 4