



US00D488859S

(12) **United States Design Patent**
Stout, Jr.

(10) **Patent No.:** **US D488,859 S**

(45) **Date of Patent:** **** *Apr. 20, 2004**

(54) **BELL MOUTH WITH AN INDENTED END**

(75) **Inventor:** **William K. Stout, Jr.,** Mason, OH
(US)

(73) **Assignee:** **Eastern Sheet Metal LLC,** Cincinnati,
OH (US)

(*) **Notice:** This patent is subject to a terminal dis-
claimer.

(**) **Term:** **14 Years**

(21) **Appl. No.:** **29/177,442**

(22) **Filed:** **Mar. 10, 2003**

DK	150025 B	11/1986
EP	092881 A2	11/1983
EP	0273221 B1	7/1988
EP	0389462 A1	9/1990
EP	0758066 B1	2/1997
FR	2015241	4/1970
GB	1587018	3/1981
IT	1285018	3/1998
NO	174861	4/1994
SE	13987	1/1974
SE	17788	4/1976
SE	19819	4/1977
SE	25473	4/1980
SE	25610	4/1980
SE	26059	7/1980
SE	26995	12/1980
WO	WO9415133	7/1994

Related U.S. Application Data

(62) Division of application No. 29/138,785, filed on Mar. 20,
2001, now Pat. No. Des. 475,447.

(51) **LOC (7) Cl.** **23-04**

(52) **U.S. Cl.** **D23/393**

(58) **Field of Search** D23/259, 262,
D23/263, 266, 386, 387, 391, 393, 394;
138/111-117, DIG. 4, DIG. 11, 177; 285/47,
123.15, 123.16, 110, 374, 347, 232-234,
123.1, 123.3-123.7, 123.9, 122.1, 125.1,
129.1, 129.2, 131.1, 132.1, 133.11, 133.3,
133.6, 136.1, 139.1, 139.2, 139.3, 141.1,
142.1, 143.1, 148.22, 148.23, 148.24, 148.25,
189, 197-200, 332, 332.1, 334.1, 334.5,
405, 424; 454/228-236, 243, 270, 903,
906; 126/307 R, 312, 307 A, 314-317

(56) **References Cited**

U.S. PATENT DOCUMENTS

D25,709 S	6/1896	Pratt
1,565,918 A	12/1925	Fitzgerald
1,570,974 A	1/1926	Stevens

(List continued on next page.)

FOREIGN PATENT DOCUMENTS

DE	2840962	4/1979
----	---------	--------

OTHER PUBLICATIONS

Ducts and Fittings Product Brochure, Lindab Ltd.,
Northampton, Great Britian (undated), front and back covers
and pp. 3-52.

“Sistema Di Tenuta Ring”, Issued by Climovent System, an
Italian Company; pp. 1-6 (Undated).

“Veloduct” catalog 1997, ABB Ventilation Products AB,
Division Veloduct.

(List continued on next page.)

Primary Examiner—Philip S. Hyder

Assistant Examiner—C Tuttle

(74) *Attorney, Agent, or Firm*—Dinsmore & Shohl LLP

(57) **CLAIM**

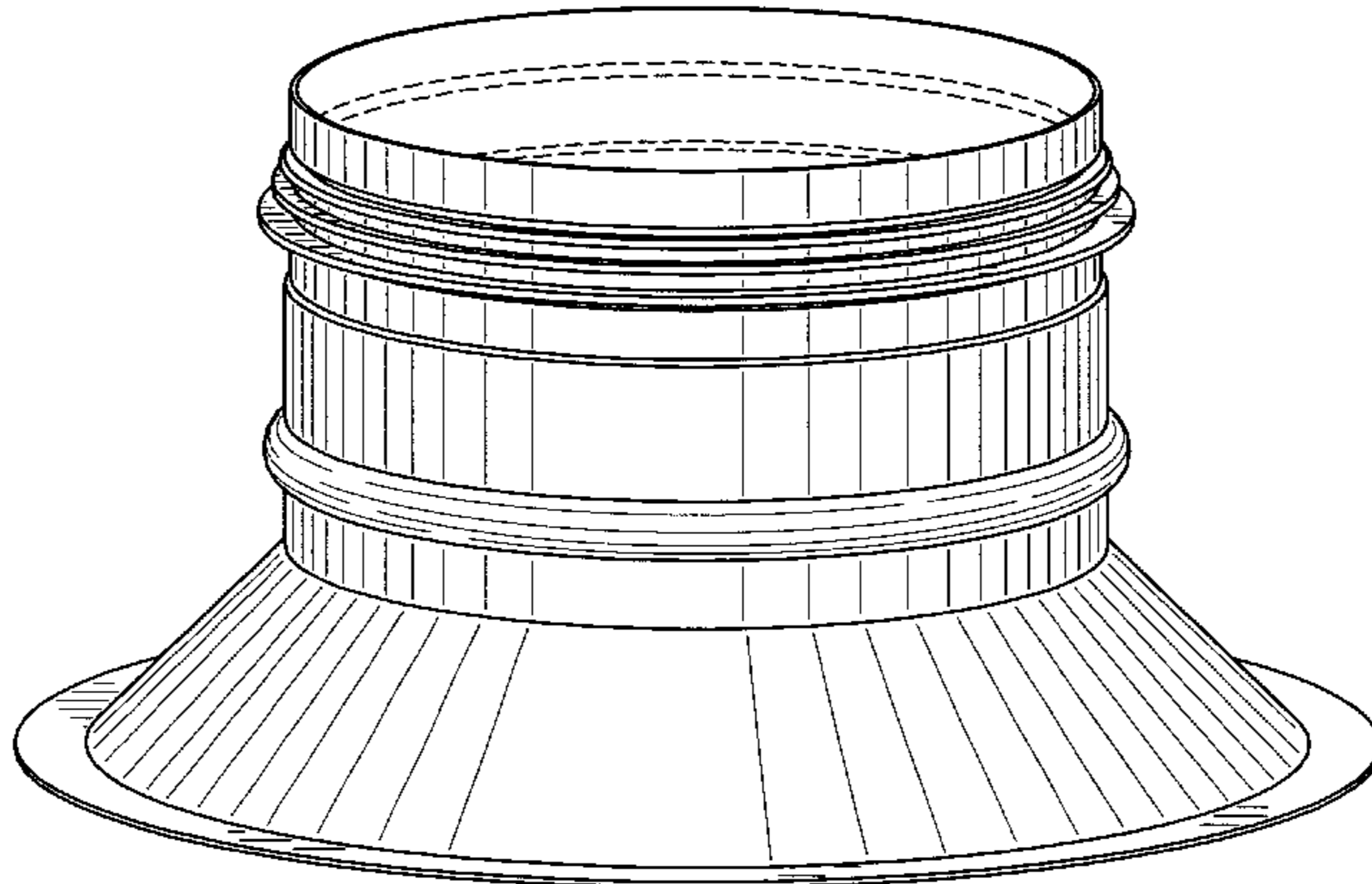
The ornamental design for a bell mouth with an indented
end, as shown and described.

DESCRIPTION

The sole FIGURE is a perspective view of the bell mouth
with an indented end.

The broken line showing of the interior structures is for
illustrative purposes only and forms no part of the claimed
design.

1 Claim, 1 Drawing Sheet



U.S. PATENT DOCUMENTS

1,685,701 A 9/1928 Blanchard
 2,314,386 A 3/1943 Brend
 2,544,108 A 3/1951 Richardson
 2,907,592 A 10/1959 Bailey
 2,930,635 A 3/1960 Woodling
 3,015,510 A 1/1962 Bates
 3,749,425 A 7/1973 Howland
 D234,847 S 4/1975 Hoffman
 3,955,834 A 5/1976 Ahlrot
 4,007,941 A 2/1977 Stancati
 4,050,703 A 9/1977 Tuvevsson et al.
 4,193,246 A 3/1980 Schiefer et al.
 4,216,981 A 8/1980 Jensen
 4,369,159 A 1/1983 Irmer
 D273,702 S 5/1984 Widerby et al.
 4,569,110 A 2/1986 Goettel
 4,583,772 A 4/1986 Vassallo et al.
 4,606,706 A 8/1986 Utter
 4,664,421 A 5/1987 Jones
 4,846,147 A 7/1989 Townsend et al.
 5,314,212 A 5/1994 Sanders
 5,405,174 A 4/1995 Sondén et al.
 5,407,122 A 4/1995 Stefansson et al.
 D360,018 S 7/1995 Sondén et al.
 D360,019 S 7/1995 Sondén et al.
 D360,020 S 7/1995 Sondén et al.
 D360,021 S 7/1995 Sondén et al.
 D361,829 S 8/1995 Sondén et al.
 D362,299 S 9/1995 Sondén et al.
 D362,300 S 9/1995 Sondén et al.
 D363,115 S 10/1995 Lennartsson
 5,473,815 A 12/1995 Sondén et al.
 D367,316 S 2/1996 Sondén et al.
 D368,304 S 3/1996 Morrison
 5,531,460 A 7/1996 Stefansson et al.
 D377,829 S 2/1997 Andresen
 5,599,600 A 2/1997 Rau
 5,649,662 A 7/1997 Krichau et al.
 D383,053 S 9/1997 Schrader et al.
 D383,195 S 9/1997 Sondén et al.
 D383,196 S 9/1997 Sondén et al.
 D386,246 S 11/1997 Sondén et al.
 D402,354 S 12/1998 Strong et al.
 D407,802 S 4/1999 Hatfield et al.

D427,667 S 7/2000 Stout, Jr.
 D427,668 S 7/2000 Stout, Jr.
 D427,673 S 7/2000 Stout, Jr.
 D430,482 S 9/2000 Stout, Jr.
 D435,090 S 12/2000 Stout, Jr.
 D437,034 S 1/2001 Stout, Jr.
 6,170,883 B1 1/2001 Mattsson et al.
 D447,223 S 8/2001 Mattsson et al.
 6,322,111 B1 11/2001 Brady
 D454,949 S 3/2002 Mattsson et al.
 D456,071 S 4/2002 Mattsson et al.
 D456,072 S 4/2002 Mattsson et al.
 D461,887 S 8/2002 Mattsson et al.
 6,431,609 B1 8/2002 Andersson

OTHER PUBLICATIONS

Hallstroms Verkstader 2 page advertisement and an English translation of portions thereof. Mar. 21, 2000.
 U.S. patent application Ser. No. 29/138,761.
 U.S. patent application Ser. No. 29/138,838.
 U.S. patent application Ser. No. 29/138,820.
 U.S. patent application Ser. No. 29/138,847.
 U.S. patent application Ser. No. 29/138,839.
 U.S. patent application Ser. No. 29/138,830.
 U.S. patent application Ser. No. 29/138,818.
 U.S. patent application Ser. No. 29/138,819.
 U.S. patent application Ser. No. 29/138,782.
 U.S. patent application Ser. No. 29/138,790.
 U.S. patent application Ser. No. 29/138,783.
 U.S. patent application Ser. No. 29/138,786.
 U.S. patent application Ser. No. 29/138,771.
 U.S. patent application Ser. No. 29/138,760.
 U.S. patent application Ser. No. 29/138,836.
 U.S. patent application Ser. No. 29/138,764.
 U.S. patent application Ser. No. 29/138,668.
 U.S. patent application Ser. No. 29/138,772.
 U.S. patent application Ser. No. 29/138,784.
 U.S. patent application Ser. No. 29/138,781.
 U.S. patent application Ser. No. 29/138,842.
 U.S. patent application Ser. No. 29/138,837.
 U.S. patent application Ser. No. 29/138,763.
 U.S. patent application Ser. No. 29/138,829.
 U.S. patent application Ser. No. 29/138,762.

