



US00D488858S

(12) **United States Design Patent**
Stout, Jr.

(10) **Patent No.: US D488,858 S**

(45) **Date of Patent: ** *Apr. 20, 2004**

(54) **DUCT WITH AN INDENTED END**

FOREIGN PATENT DOCUMENTS

- (75) Inventor: **William K. Stout, Jr.**, Mason, OH (US)
- (73) Assignee: **Eastern Sheet Metal LLC**, Cincinnati, OH (US)
- (*) Notice: This patent is subject to a terminal disclaimer.
- (**) Term: **14 Years**

DE	2840962	4/1979
DK	150025 B	11/1986
EP	092881 A2	11/1983
EP	0273221 B1	7/1988
EP	0389462 A1	9/1990
EP	0758066 B1	2/1997
FR	2015241	4/1970
GB	1587018	3/1981
IT	1285018	3/1998
NO	174861	4/1994

(List continued on next page.)

- (21) Appl. No.: **29/177,405**
- (22) Filed: **Mar. 10, 2003**

OTHER PUBLICATIONS

Related U.S. Application Data

Ducts and Fittings Product Brochure, Lindab Ltd., Northampton, Great Britain (undated), front and back covers and pp. 3–52.

- (62) Division of application No. 29/138,818, filed on Mar. 20, 2001, now Pat. No. Des. 457,448.

(List continued on next page.)

(51) **LOC (7) Cl. 23-04**

Primary Examiner—Philip S. Hyder
Assistant Examiner—C Tuttle

(52) **U.S. Cl. D23/393**

(74) *Attorney, Agent, or Firm*—Dinsmore & Shohl LLP

(58) **Field of Search** D23/259, 262, D23/263, 266, 386, 387, 391, 393, 394; 138/111–117, DIG. 4, DIG. 11, 177, 167, 169; 285/47, 123.15, 123.16, 110, 374, 347, 232–234, 122.1, 123.1, 123.3–123.7, 123.9, 125.1, 129.1, 133.11, 133.21, 133.6, 136.1, 141.1, 148.18, 148.22, 148.23, 148.24, 148.25, 179, 179.2, 181, 183, 332, 332.1, 334.5, 399, 189, 424; 454/228–236, 243, 270, 903, 906; 126/307 R, 312, 307 A, 314–317

(57) **CLAIM**

The ornamental design for a duct with an indented end, as shown and described.

(56) **References Cited**

U.S. PATENT DOCUMENTS

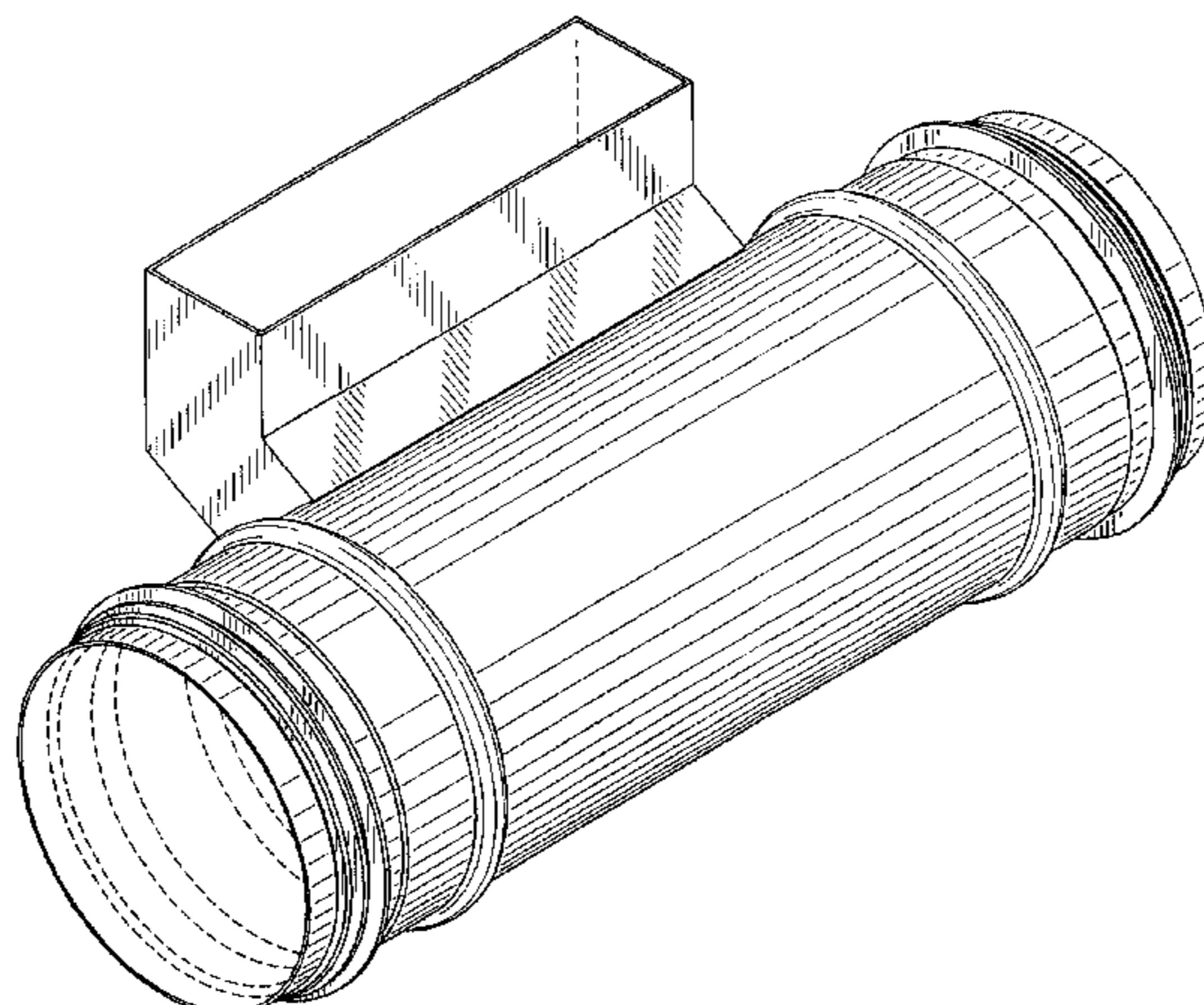
199,619 A	1/1878	Corby
D25,709 S	6/1896	Pratt
1,565,918 A	12/1925	Fitzgerald
1,570,974 A	1/1926	Stevens
2,039,542 A	5/1936	Lindquist

DESCRIPTION

FIG. 1 is a front elevational view of the duct with an indented end;
 FIG. 2 is a rear elevational view of the duct of FIG. 1;
 FIG. 3 is a front perspective view of the duct of FIG. 1;
 FIG. 4 is a left end view of the duct of FIG. 1; the right end view being a mirror image of FIG. 4;
 FIG. 5 is a top view of the duct of FIG. 1; and,
 FIG. 6 is a bottom view of the duct of FIG. 1.
 The broken lines shown in FIGS. 3 and 4 are for illustrative purposes only and forms no part of the claimed design. The unshaded areas of the duct interior likewise form no part of the claimed design.

(List continued on next page.)

1 Claim, 6 Drawing Sheets



US D488,858 S

Page 2

U.S. PATENT DOCUMENTS

2,215,318 A 9/1940 Bristol
2,314,386 A 3/1943 Brend
2,544,108 A 3/1951 Richardson
2,616,728 A 11/1952 Pitt
2,930,635 A 3/1960 Woodling
3,015,510 A 1/1962 Bates
3,751,792 A 8/1973 Frakes
D234,847 S 4/1975 Hoffman
3,955,834 A 5/1976 Ahlrot
4,007,941 A 2/1977 Stancati
4,050,703 A 9/1977 Tuvevsson et al.
4,193,246 A 3/1980 Schiefer et al.
4,216,981 A 8/1980 Jensen
4,369,159 A 1/1983 Irmer
D273,702 S 5/1984 Widerby et al.
4,583,772 A 4/1986 Vassallo et al.
4,664,421 A 5/1987 Jones
4,846,147 A 7/1989 Townsend et al.
4,854,381 A 8/1989 Mikula
5,080,403 A 1/1992 Paoluccio
5,390,961 A 2/1995 Guthrie
5,405,174 A 4/1995 Sondén et al.
5,407,122 A 4/1995 Stefansson et al.
D360,018 S 7/1995 Sondén et al.
D360,019 S 7/1995 Sondén et al.
D360,020 S 7/1995 Sondén et al.
D360,021 S 7/1995 Sondén et al.
D361,829 S 8/1995 Sondén et al.
D362,299 S 9/1995 Sondén et al.
D362,300 S 9/1995 Sondén et al.
5,452,922 A 9/1995 Ziu
D363,115 S 10/1995 Lennartsson
5,473,815 A 12/1995 Sondén et al.
D367,316 S 2/1996 Sondén et al.
D368,304 S 3/1996 Morrison
5,531,460 A 7/1996 Stefansson et al.
D377,829 S 2/1997 Andresen
5,599,600 A 2/1997 Rau
5,649,662 A 7/1997 Krichau et al.
D383,053 S 9/1997 Schrader et al.
D383,195 S 9/1997 Sondén et al.
D383,196 S 9/1997 Sondén et al.
D386,246 S 11/1997 Sondén et al.
D402,354 S 12/1998 Strong et al.
D407,802 S 4/1999 Hatfield et al.
6,070,915 A 6/2000 Luo
D427,667 S 7/2000 Stout, Jr.
D427,668 S 7/2000 Stout, Jr.
D427,673 S 7/2000 Stout, Jr.
D430,482 S 9/2000 Stout, Jr.
D435,090 S 12/2000 Stout, Jr.
D437,034 S 1/2001 Stout, Jr.

6,170,883 B1 1/2001 Mattsson et al.
D447,223 S 8/2001 Mattsson et al.
D454,949 S 3/2002 Mattsson et al.
D456,071 S 4/2002 Mattsson et al.
D456,072 S 4/2002 Mattsson et al.
D461,887 S 8/2002 Mattsson et al.
6,431,609 B1 8/2002 Andersson

FOREIGN PATENT DOCUMENTS

SE 13987 1/1974
SE 17788 4/1976
SE 19819 4/1977
SE 25473 4/1980
SE 25610 4/1980
SE 26059 7/1980
SE 26995 12/1980
WO WO9415133 7/1994

OTHER PUBLICATIONS

“Sistema Di Tenuta Ring”, Issued by Climovent System, an Italian Company; pp. 1–6 (Undated).
“Veloduct” catalog 1997, ABB Ventilation Products AB, Division Veloduct.
Hallstroms Verkstader 2 page advertisement and an English translation of portions thereof. Mar. 21, 2000.
U.S. patent application Ser. No. 29/138,761.
U.S. patent application Ser. No. 29/138,838.
U.S. patent application Ser. No. 29/138,820.
U.S. patent application Ser. No. 29/138,847.
U.S. patent application Ser. No. 29/138,785.
U.S. patent application Ser. No. 29/138,839.
U.S. patent application Ser. No. 29/138,830.
U.S. patent application Ser. No. 29/138,819.
U.S. patent application Ser. No. 29/138,782.
U.S. patent application Ser. No. 29/138,790.
U.S. patent application Ser. No. 29/138,783.
U.S. patent application Ser. No. 29/138,786.
U.S. patent application Ser. No. 29/138,771.
U.S. patent application Ser. No. 29/138,760.
U.S. patent application Ser. No. 29/138,836.
U.S. patent application Ser. No. 29/138,764.
U.S. patent application Ser. No. 29/138,668.
U.S. patent application Ser. No. 29/138,772.
U.S. patent application Ser. No. 29/138,784.
U.S. patent application Ser. No. 29/138,781.
U.S. patent application Ser. No. 29/138,842.
U.S. patent application Ser. No. 29/138,837.
U.S. patent application Ser. No. 29/138,763.
U.S. patent application Ser. No. 29/138,829.
U.S. patent application Ser. No. 29/138,762.

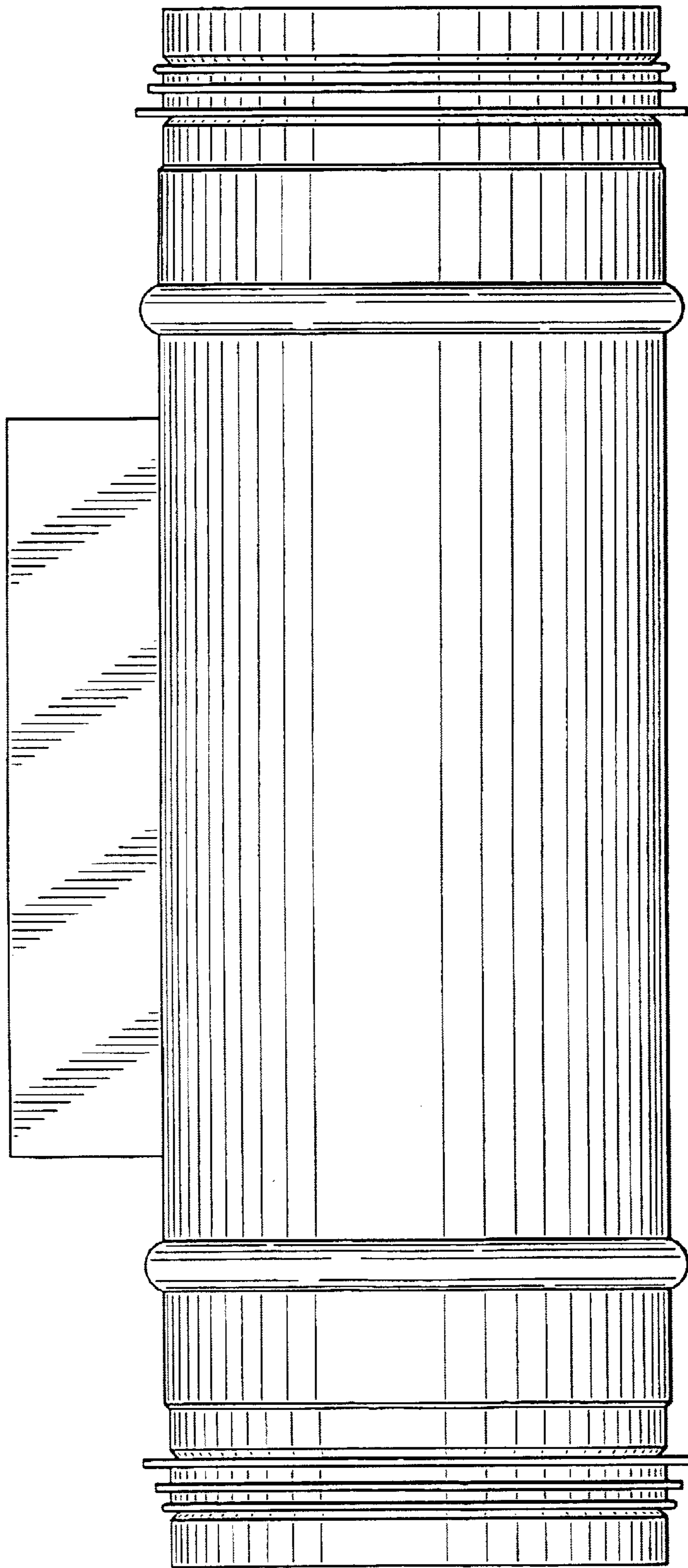


FIG. 1

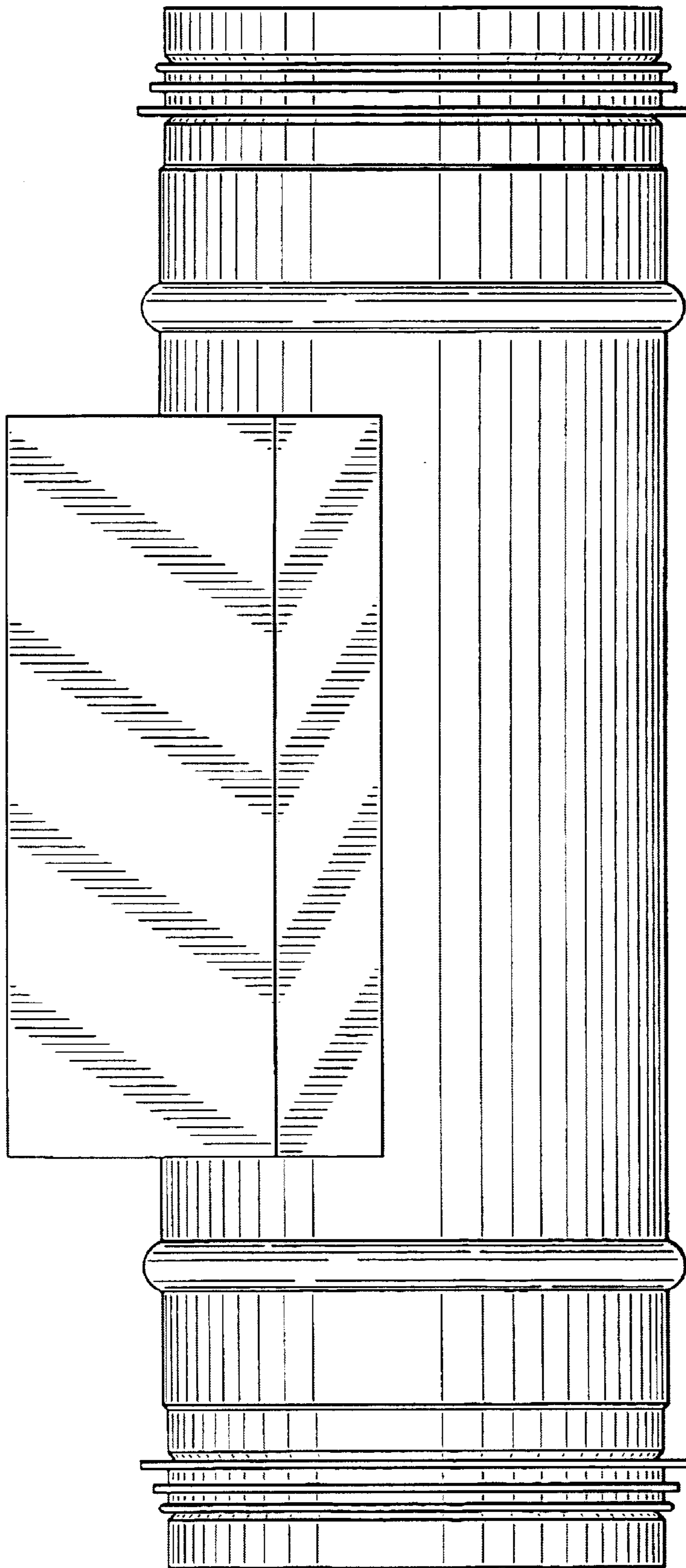


FIG. 2

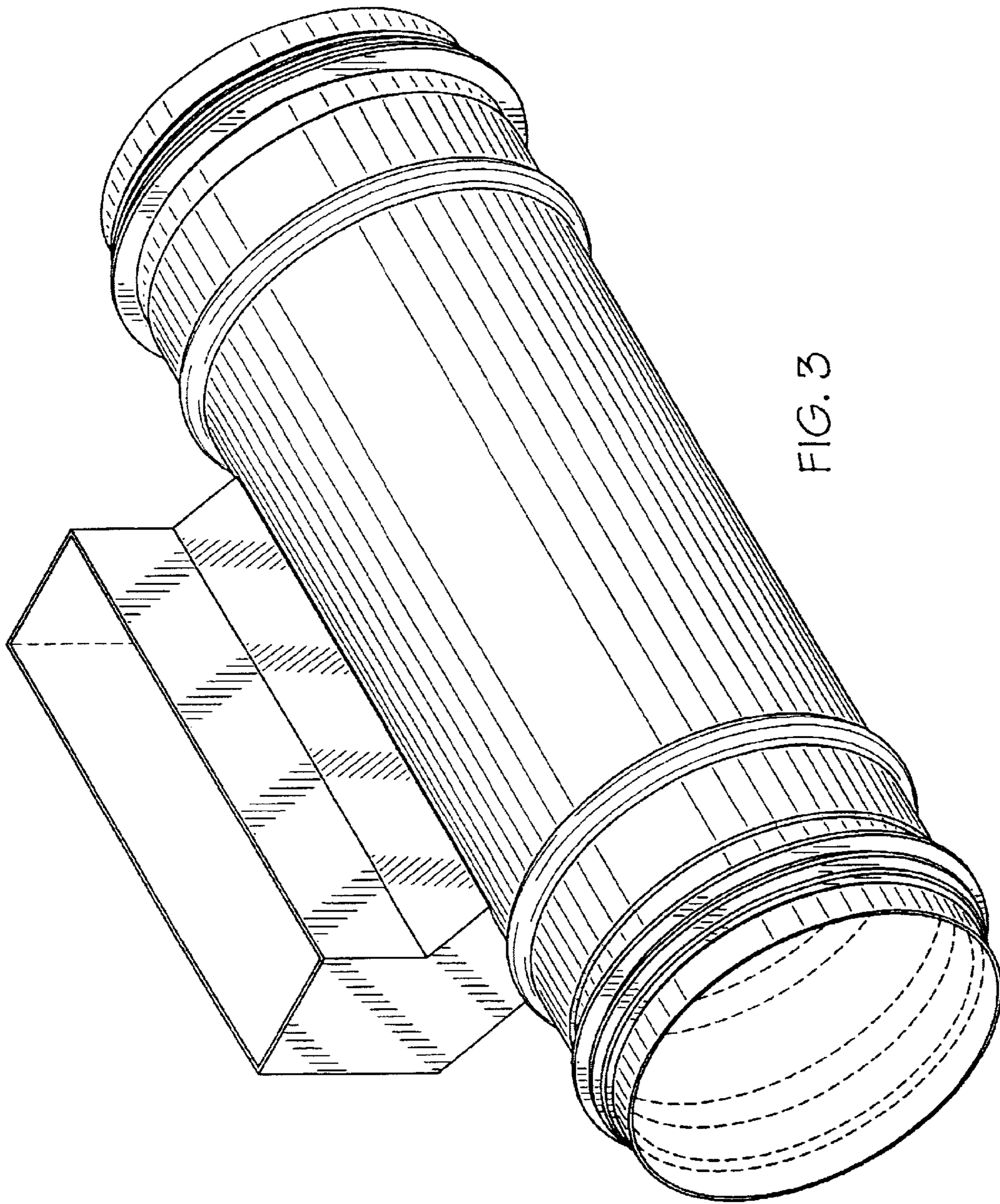


FIG. 3

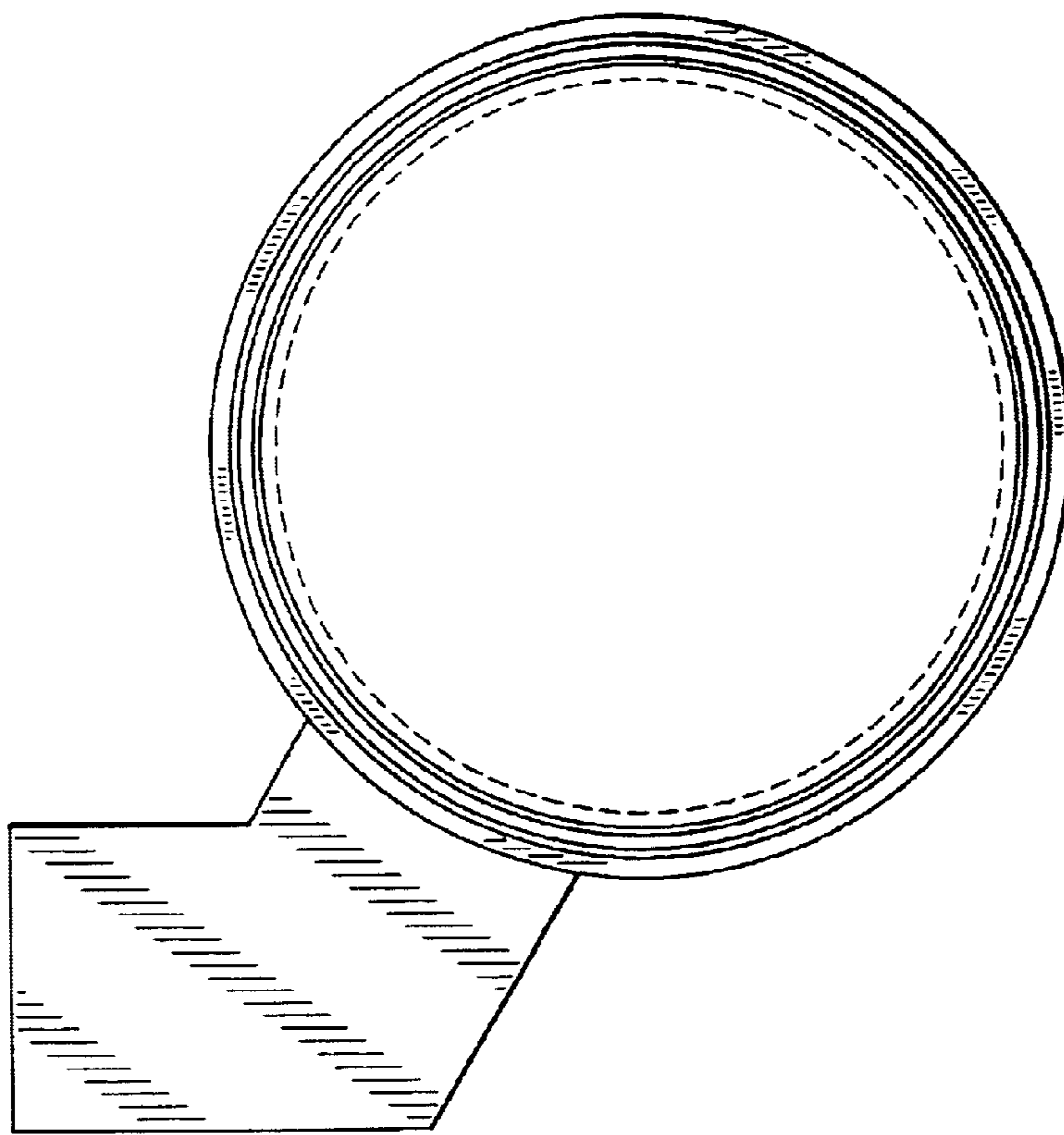


FIG. 4

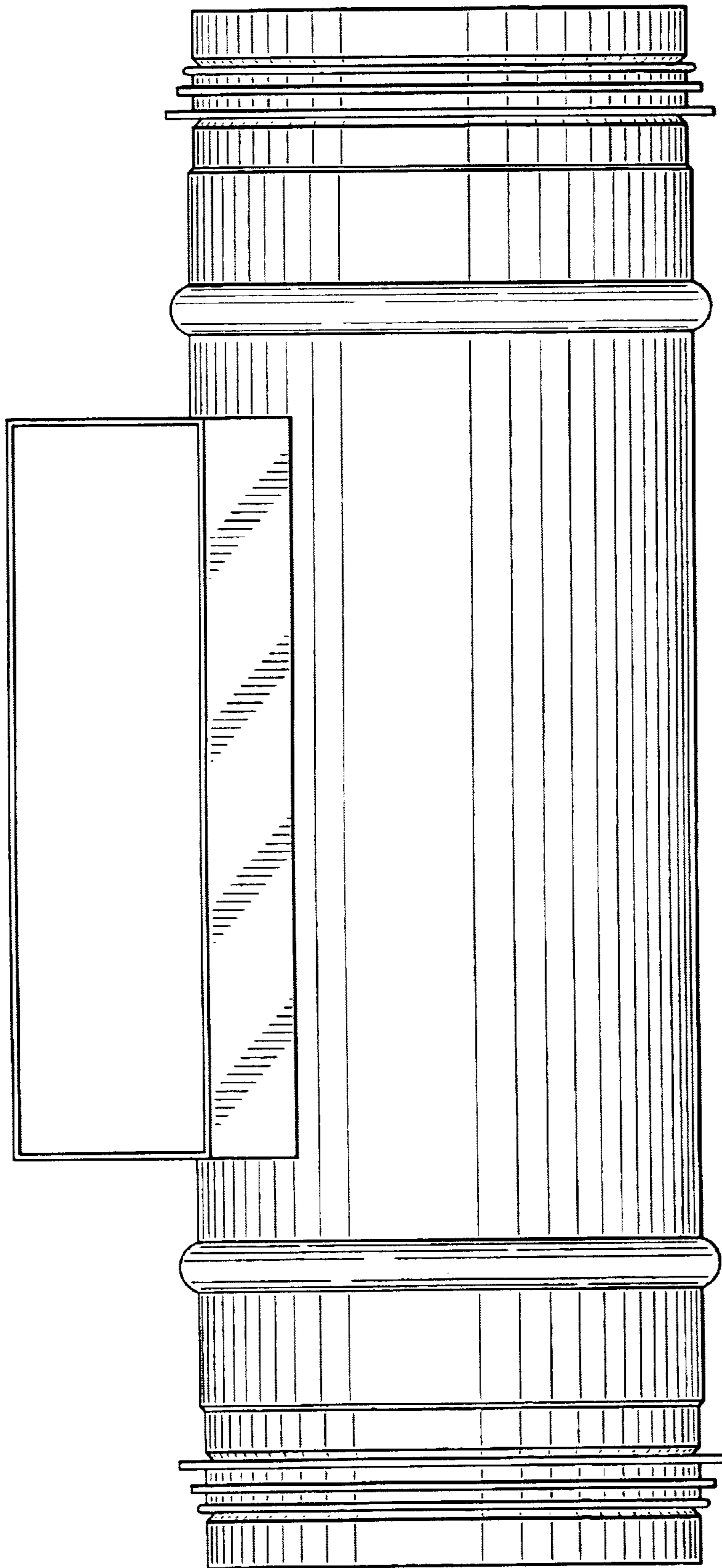


FIG. 5

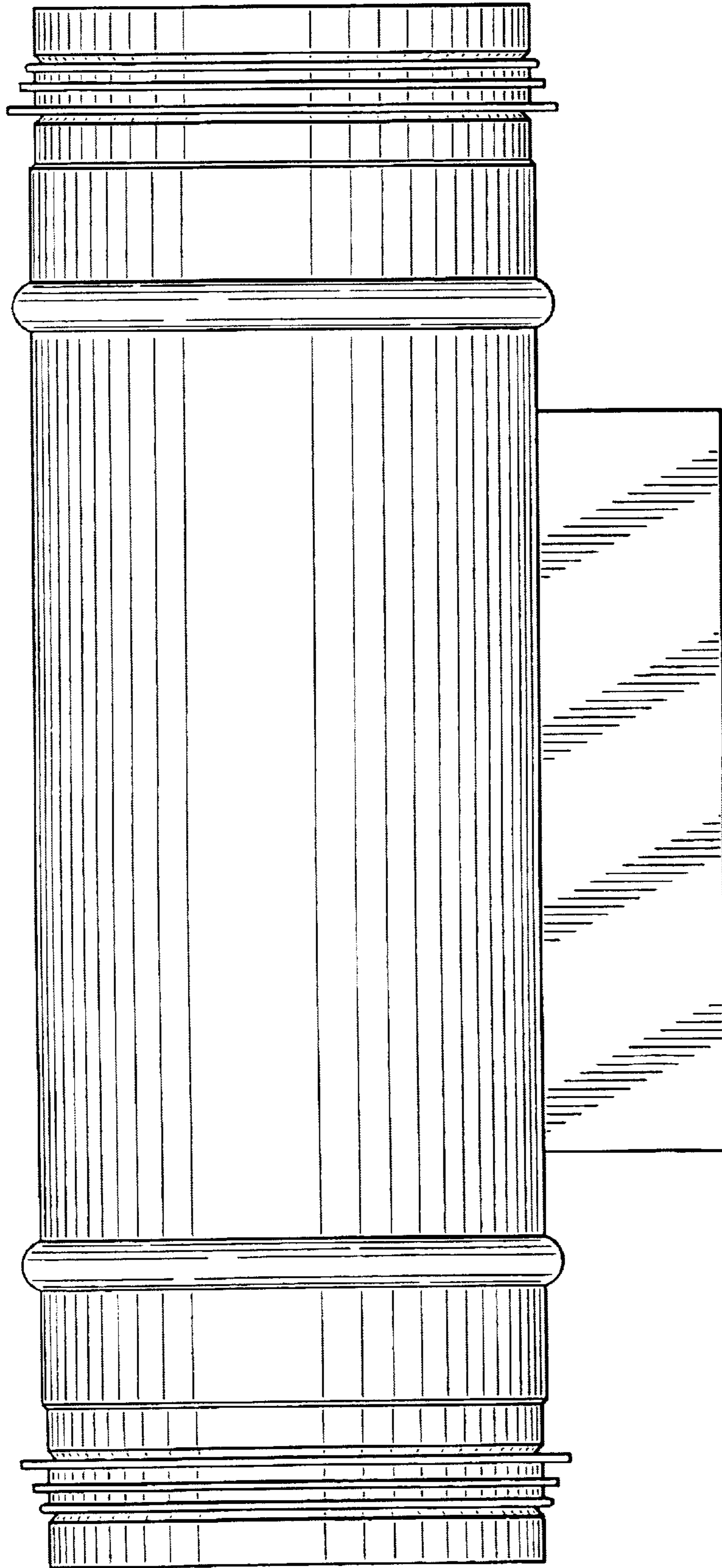


FIG. 6