



US00D488857S

(12) **United States Design Patent**
Wintersteen et al.

(10) **Patent No.:** **US D488,857 S**

(45) **Date of Patent:** **** Apr. 20, 2004**

(54) **AIR DISTRIBUTION UNIT**

6,519,149 B1 * 2/2003 Inoue 361/689

(75) Inventors: **Douglas Charles Wintersteen**, Burt,
NY (US); **David M. Chatt**, Lockport,
NY (US); **Chad S. Pinger**, Clarence
Ctr, NY (US); **Luke E. O'Dwyer**,
Getzville, NY (US)

* cited by examiner

Primary Examiner—Lisa Lichtenstein
(74) *Attorney, Agent, or Firm*—Patrick M. Griffin

(73) Assignee: **Delphi Technologies, Inc.**, Troy, MI
(US)

(57) **CLAIM**

The ornamental design for an air distribution unit, as shown
and described.

(**) Term: **14 Years**

DESCRIPTION

(21) Appl. No.: **29/176,943**

FIG. 1 is a top perspective view of the air distribution unit
showing our new design;

(22) Filed: **Feb. 28, 2003**

FIG. 2 is a bottom perspective view thereof;

(51) **LOC (7) Cl.** **23-04**

FIG. 3 is a top plan view thereof;

(52) **U.S. Cl.** **D23/370**

FIG. 4 is a bottom plan view thereof;

(58) **Field of Search** D23/370, 411;
361/687, 694, 695, 688-690; 454/184, 353

FIG. 5 is an end elevation view thereof;

FIG. 6 is an opposite end elevation view thereof;

FIG. 7 is a side elevation view thereof; and,

FIG. 8 is an opposite side elevation view thereof.

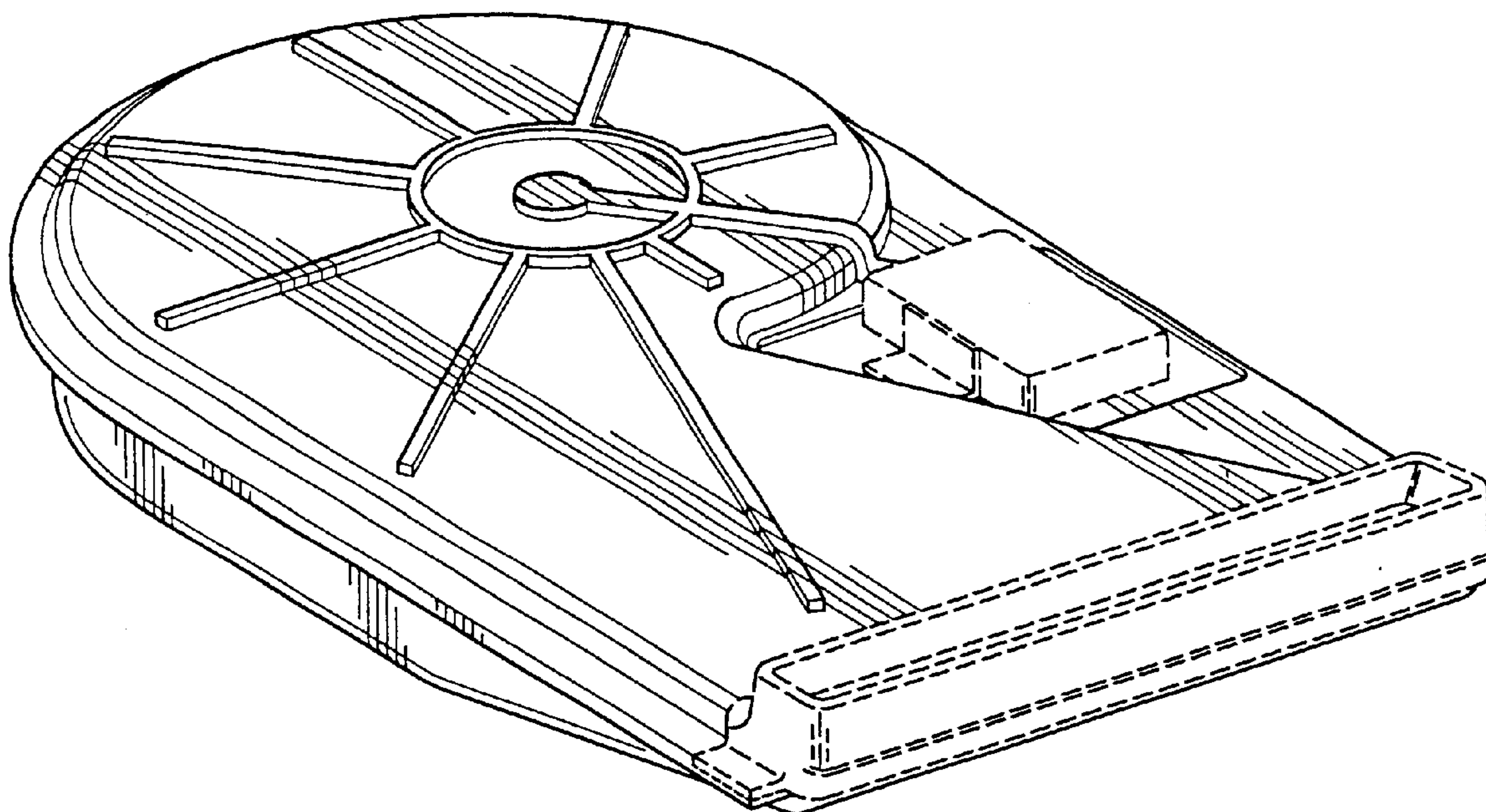
(56) **References Cited**

The broken line showing of environmental structure in
FIGS. 1-8 is for illustrative purposes only and forms no part
of the claimed design.

U.S. PATENT DOCUMENTS

6,328,097 B1 * 12/2001 Bookhardt et al. 165/104.33
6,504,715 B2 * 1/2003 Ota et al. 361/695

1 Claim, 3 Drawing Sheets



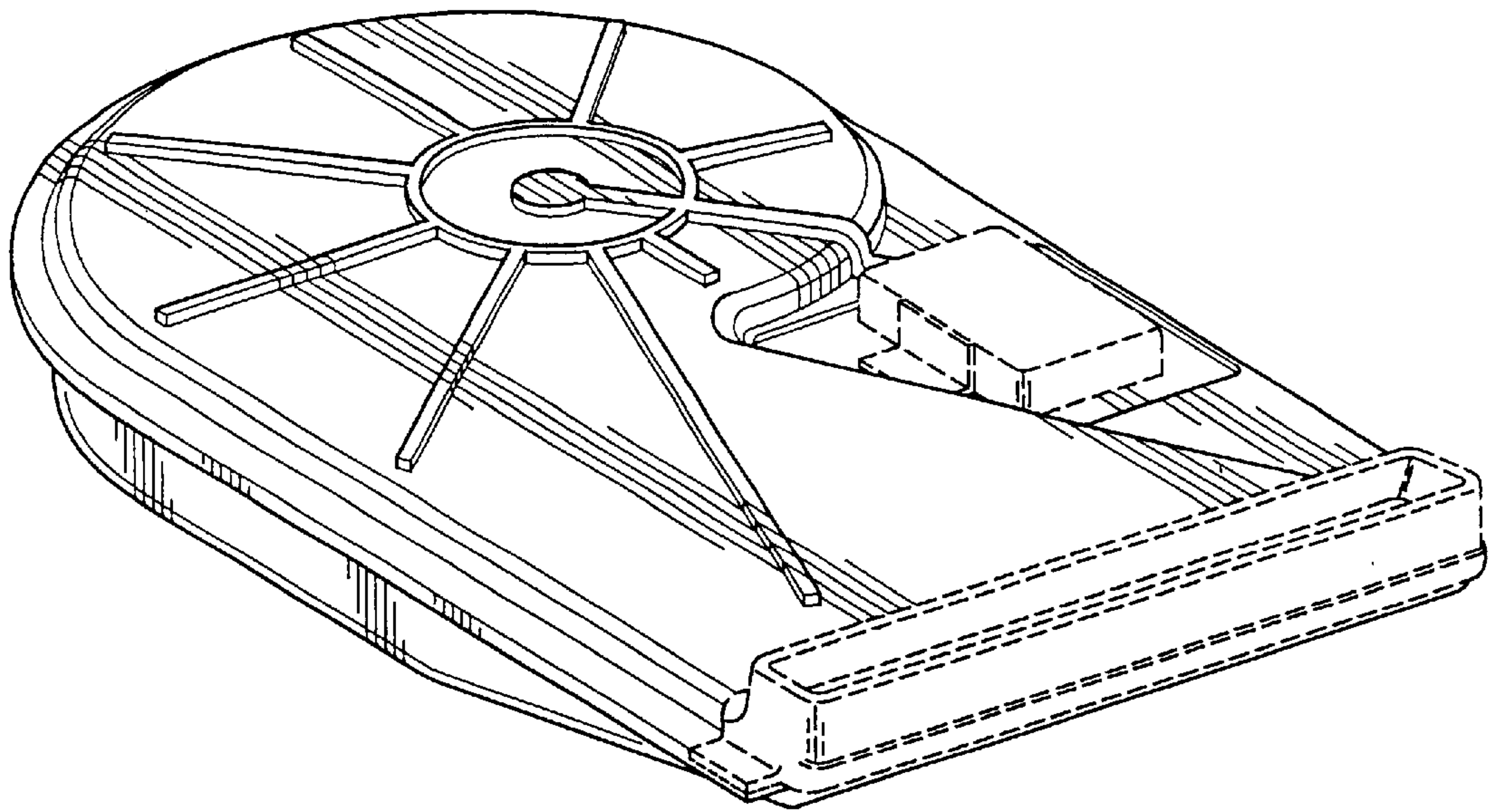


Figure 1

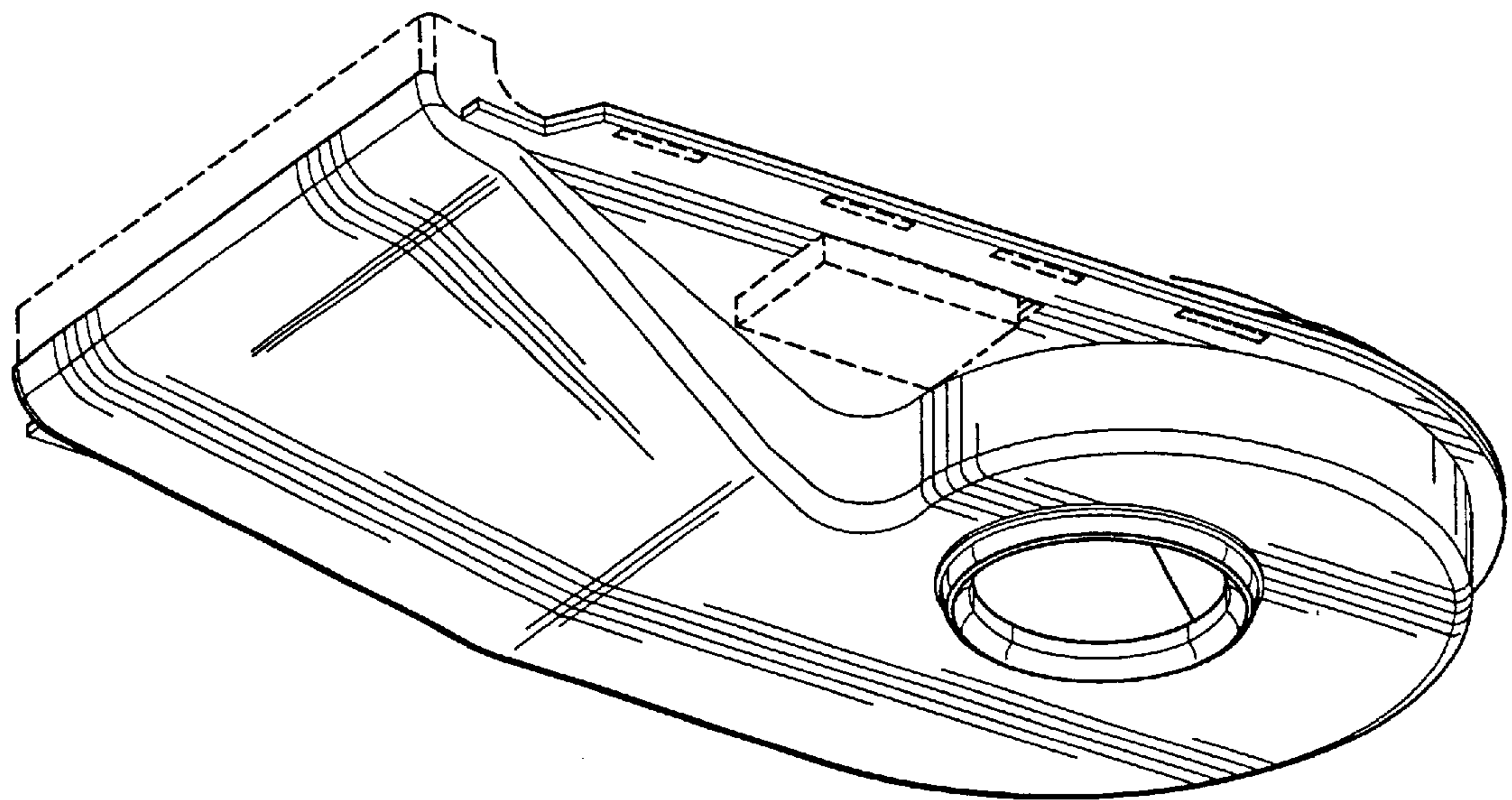


Figure 2

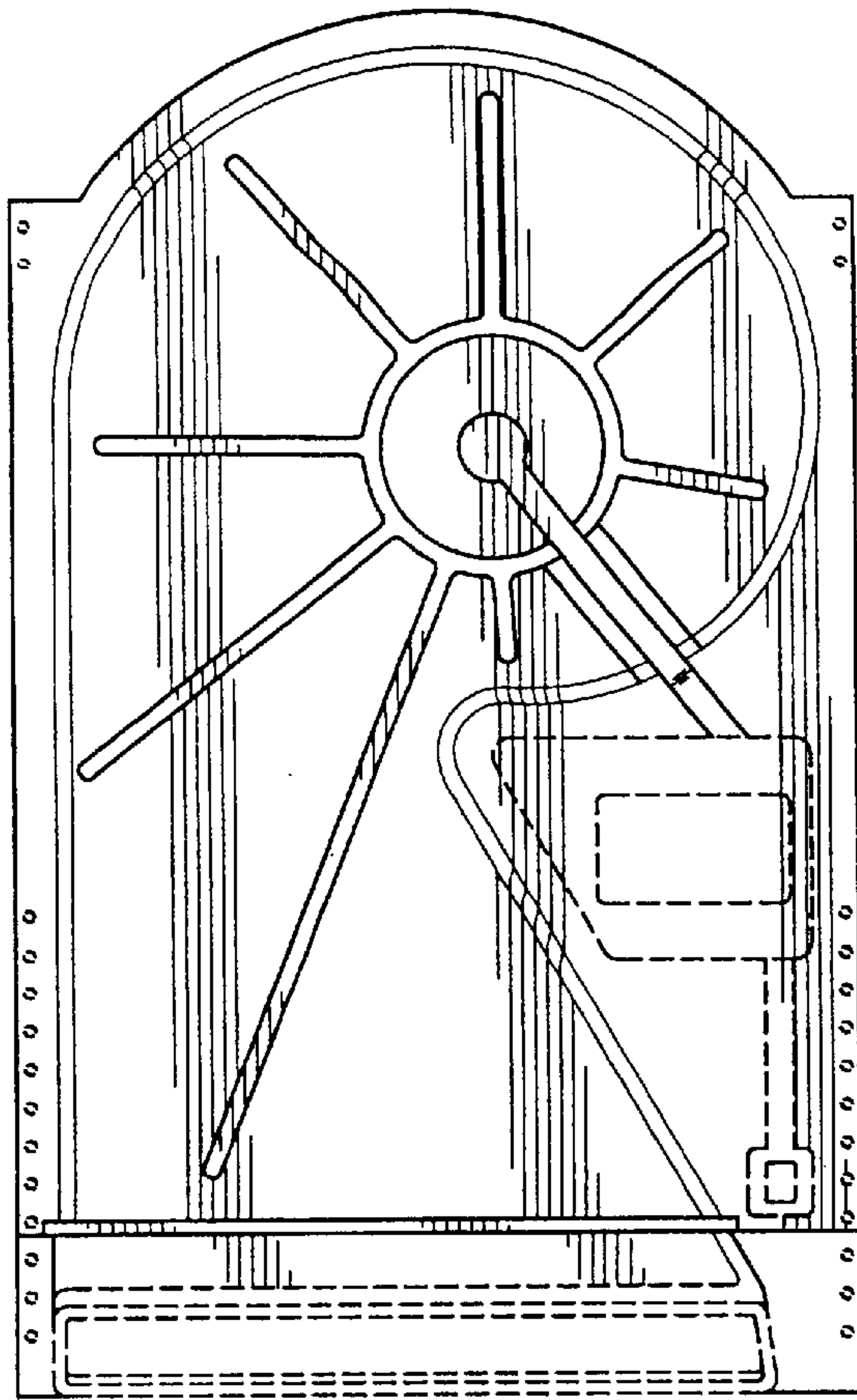


Figure 3

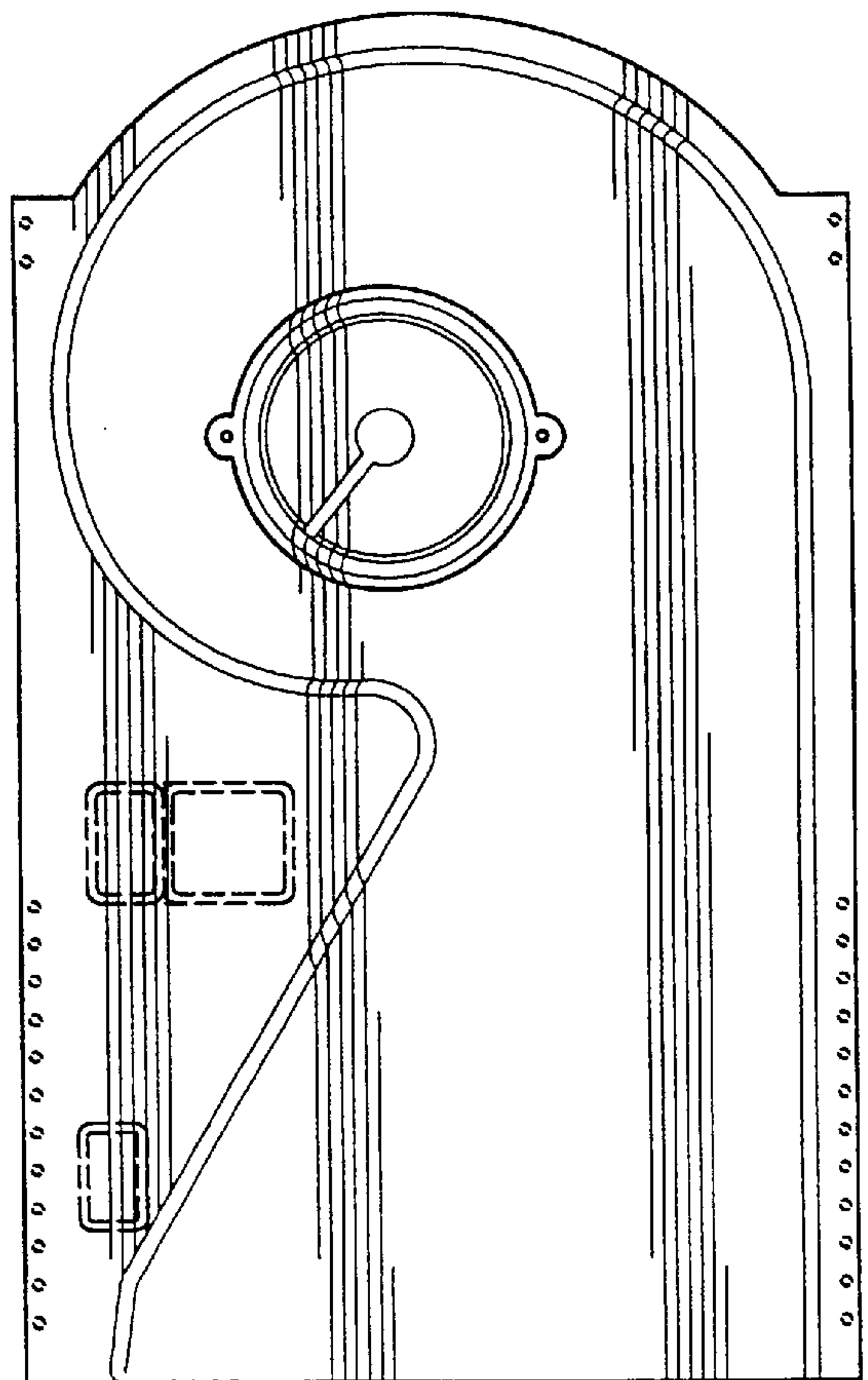


Figure 4

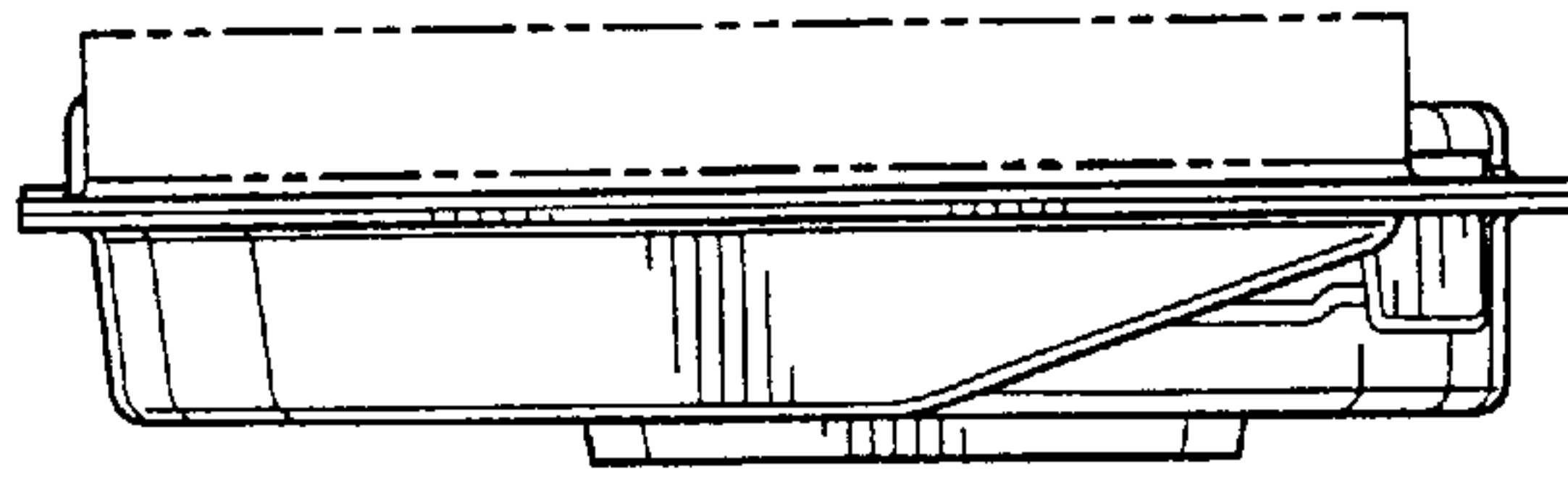


Figure 5

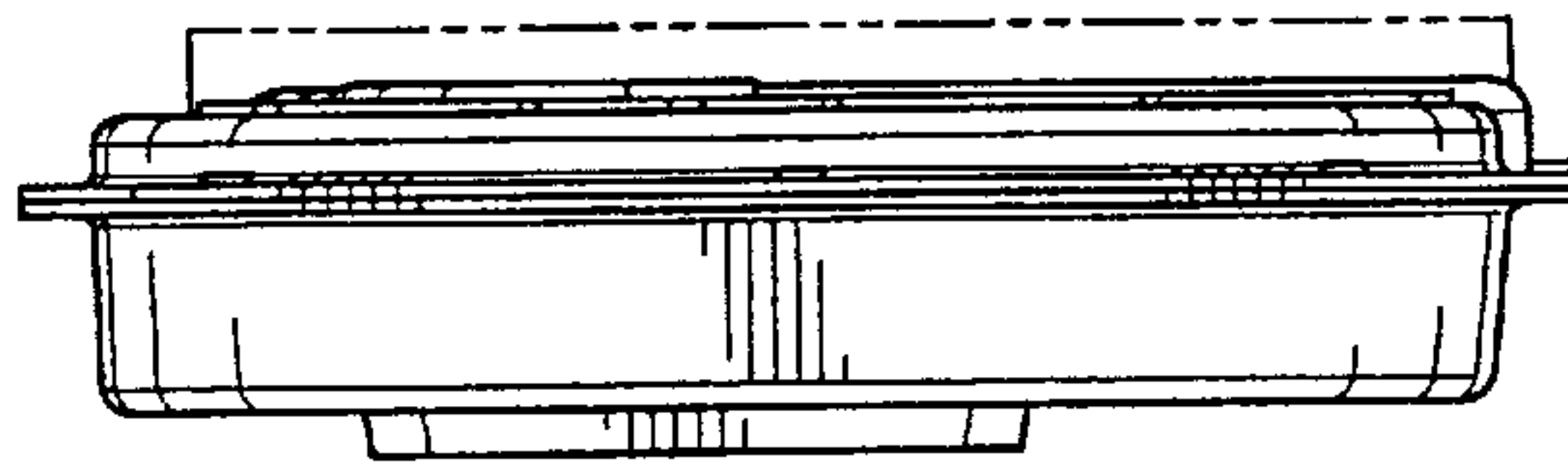


Figure 6

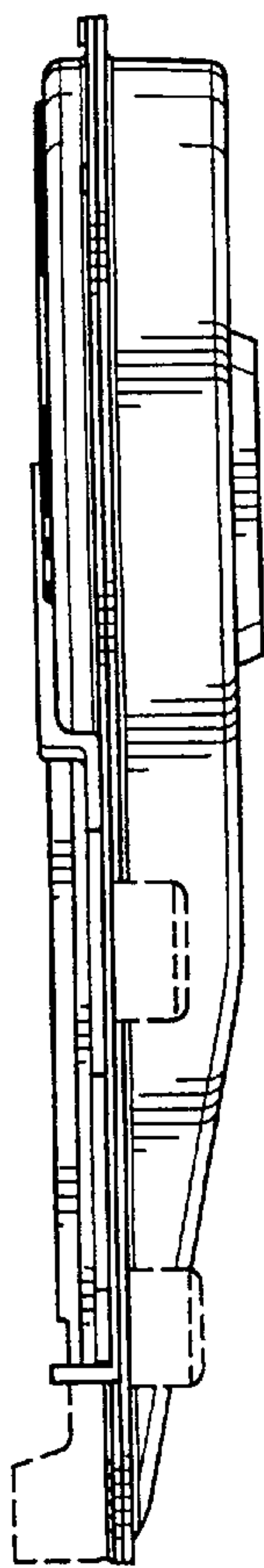


Figure 7

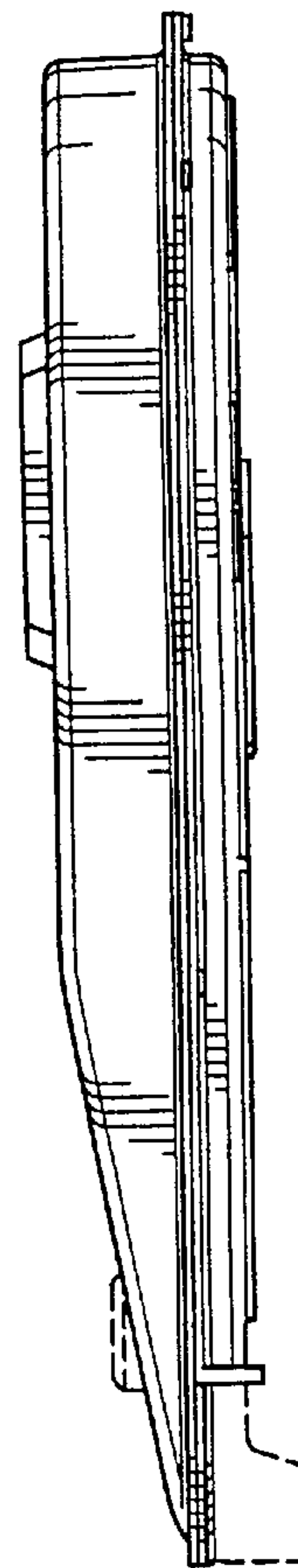


Figure 8