



US00D488856S

(12) **United States Design Patent**
Millán

(10) **Patent No.:** **US D488,856 S**

(45) **Date of Patent:** **** Apr. 20, 2004**

(54) **ELECTRICAL AIR FRESHENER**

(75) Inventor: **Jordi Basagañas Millán**, Barcelona (ES)

(73) Assignee: **DBK Espana, S.A.**, Barcelona (ES)

(**) Term: **14 Years**

(21) Appl. No.: **29/160,645**

(22) Filed: **May 14, 2002**

(30) **Foreign Application Priority Data**

Nov. 14, 2001 (ES) 152763

(51) **LOC (7) Cl.** **23-04**

(52) **U.S. Cl.** **D23/366**

(58) **Field of Search** D23/366-69; 422/120, 422/122-4; 239/211, 34-60

(56) **References Cited**

U.S. PATENT DOCUMENTS

- 5,725,152 A * 3/1998 Akyu
- D422,350 S * 4/2000 Wu
- D430,659 S * 9/2000 Zaragoza
- D461,005 S * 7/2002 Makino
- D461,885 S * 8/2002 Jordi
- D464,416 S * 10/2002 Von Dohlen et al.

* cited by examiner

Primary Examiner—M. H. Tung

(74) *Attorney, Agent, or Firm*—Katten Muchin Zavis Rosenman

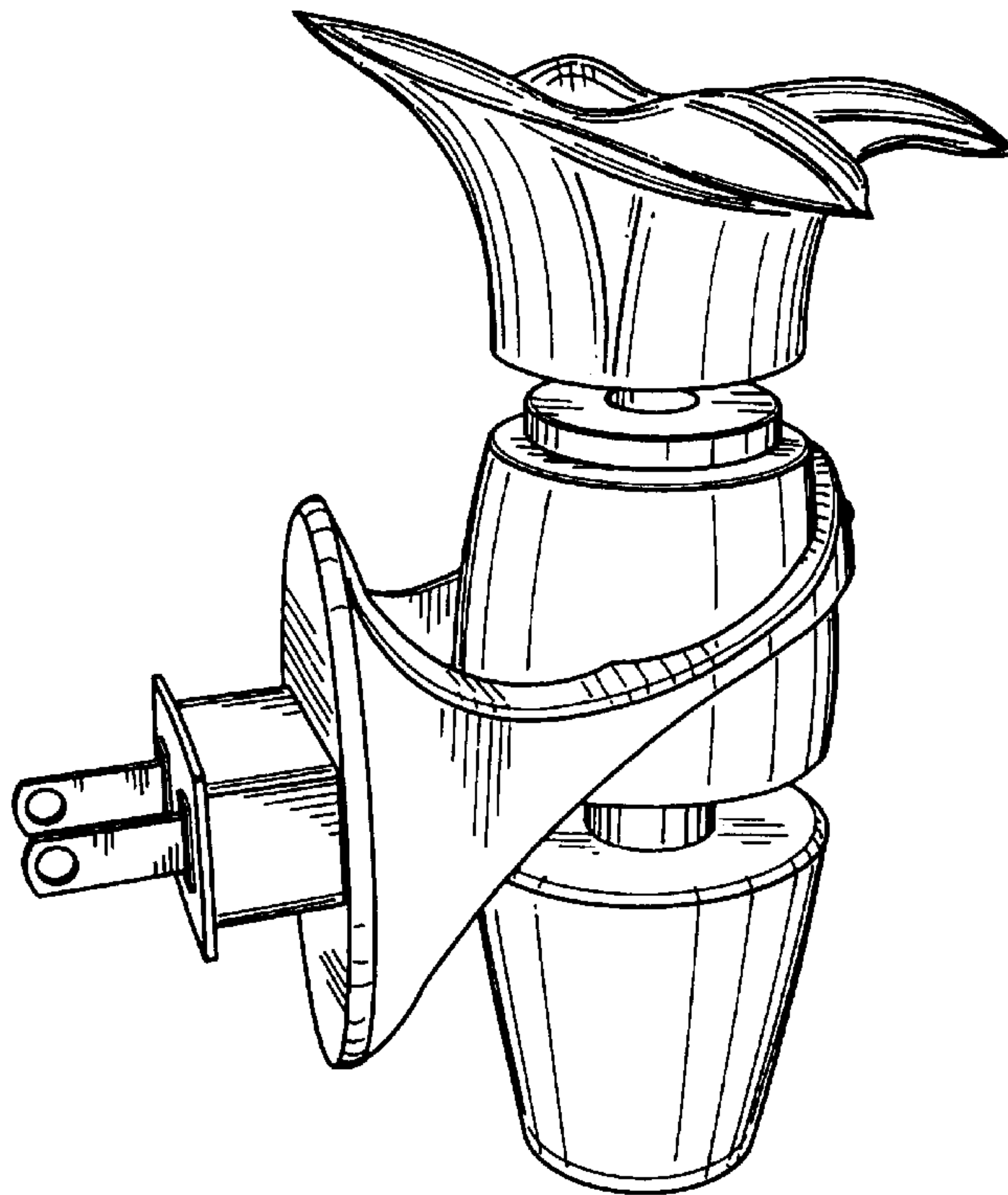
(57) **CLAIM**

The ornamental design for electrical air freshener, as shown and described.

DESCRIPTION

FIG. 1 is a right perspective, partially exploded view of an electrical air freshener showing my new design;
 FIG. 2 is a left perspective view of the assembled electrical air freshener;
 FIG. 3 is a top perspective view thereof;
 FIG. 4 is a left side elevation thereof;
 FIG. 5 is a front view thereof;
 FIG. 6 is a top view thereof with the cap rotated 180 degrees relative to the position of the cap in FIG. 4;
 FIG. 7 is a left side elevation view thereof, the electrical diffuser portion is shown separately for clarity of illustration;
 FIG. 8 is a front elevation view of FIG. 7;
 FIG. 9 is a top view of FIG. 7;
 FIG. 10 is a bottom view of FIG. 7;
 FIG. 11 is a right side elevation of FIG. 7;
 FIG. 12 is a rear elevation of FIG. 7; and,
 FIG. 13 is a left side perspective view of FIG. 7.

1 Claim, 13 Drawing Sheets



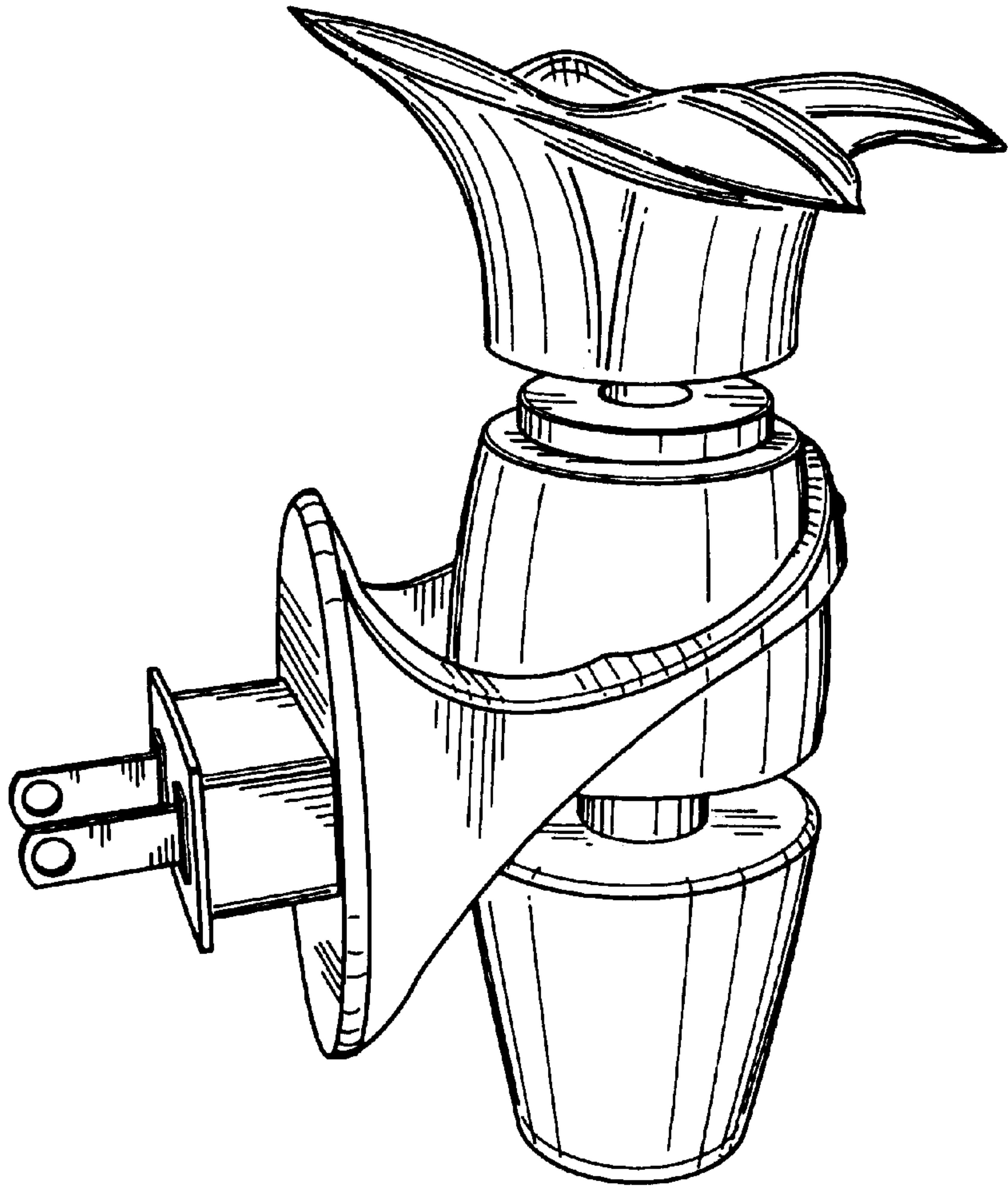


FIG. 1

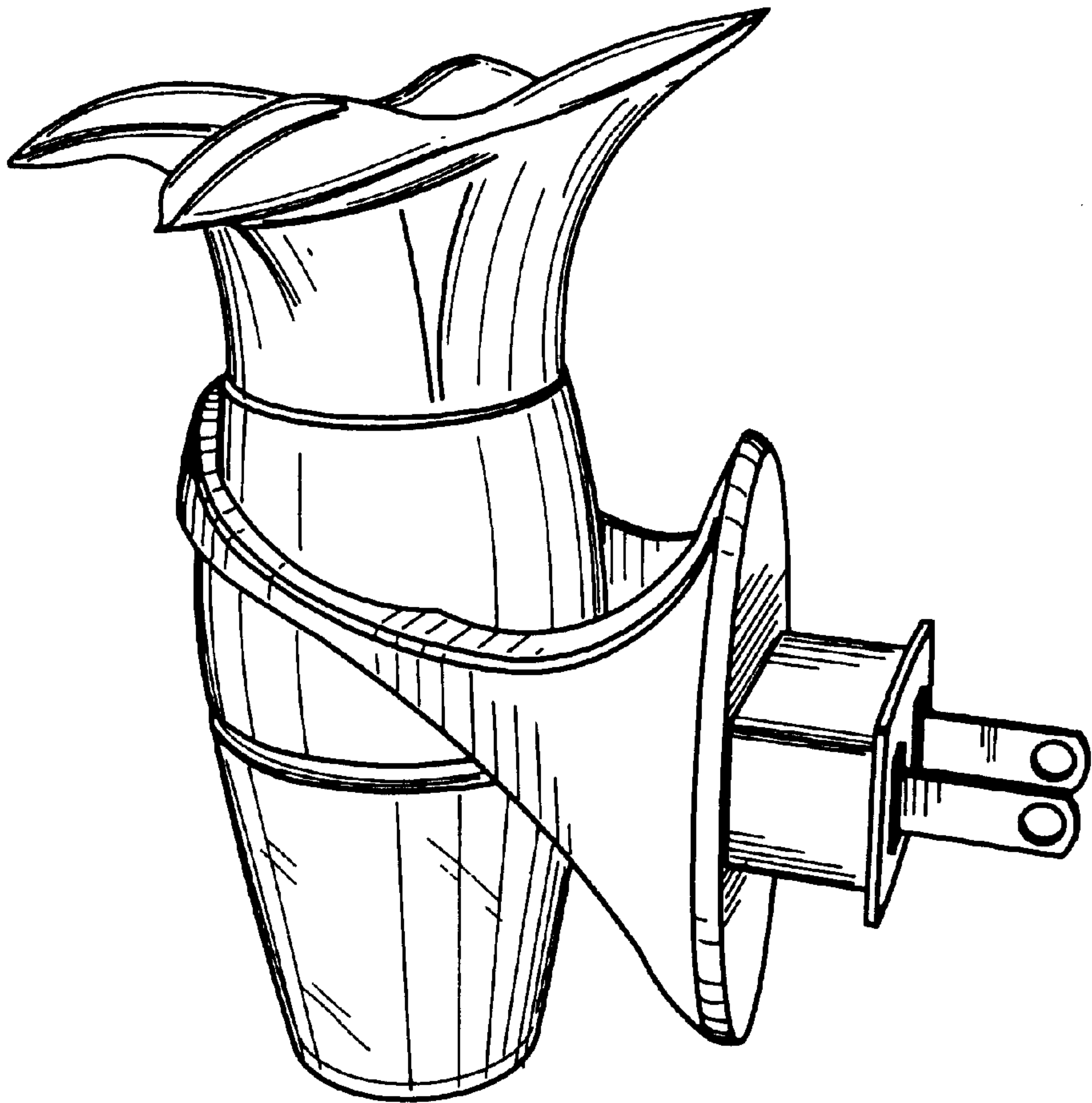


FIG. 2

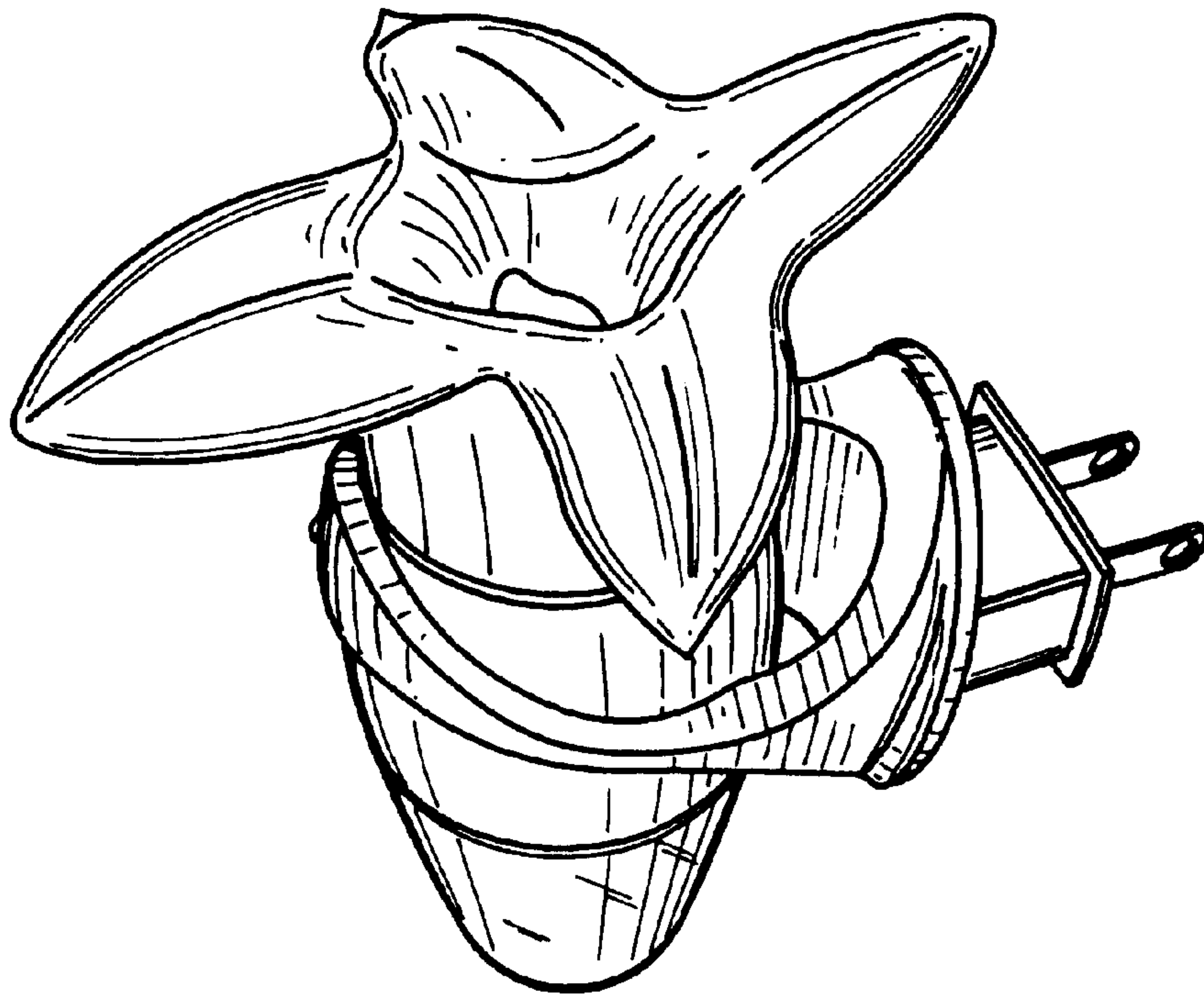


FIG. 3

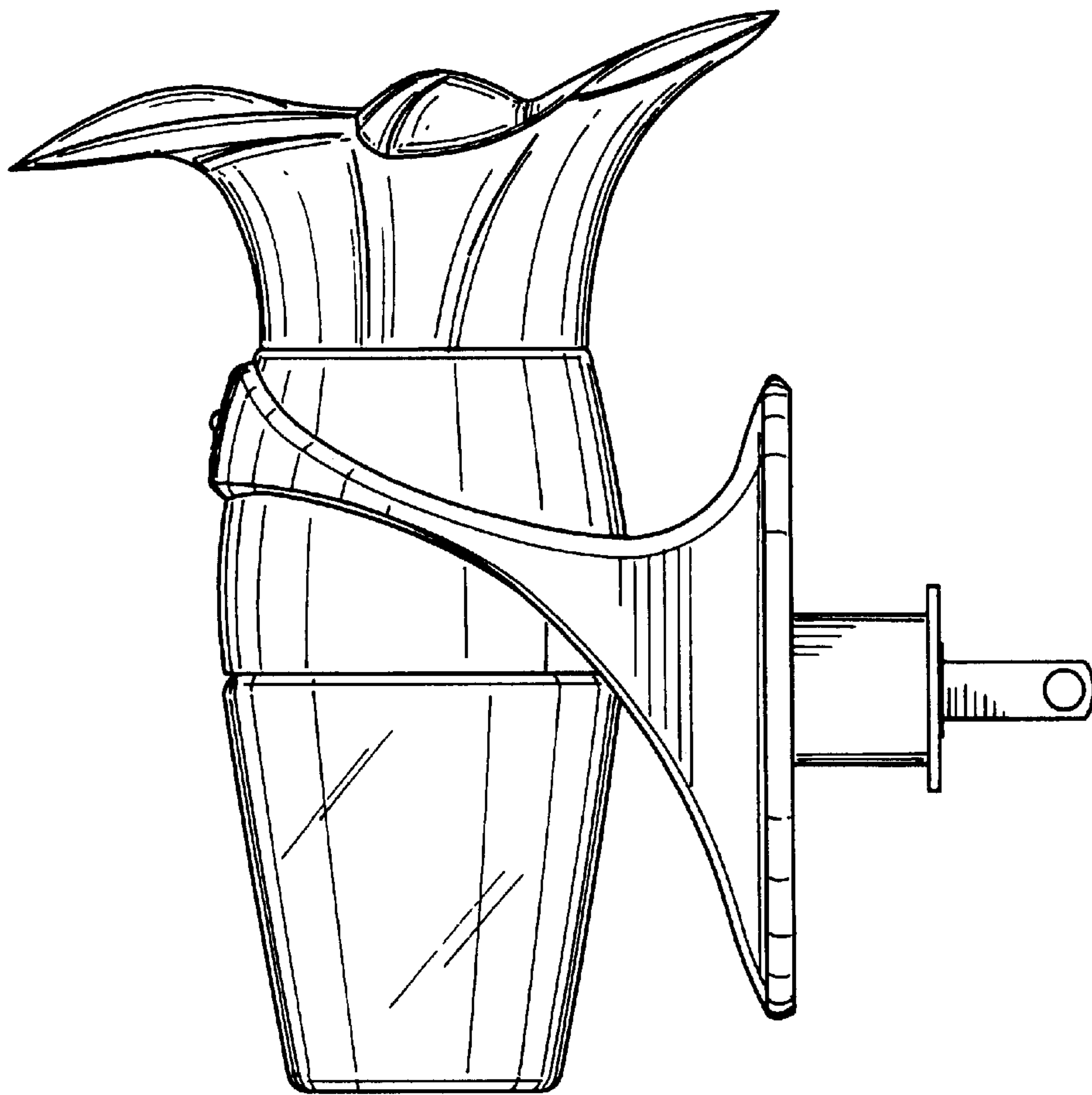


FIG. 4

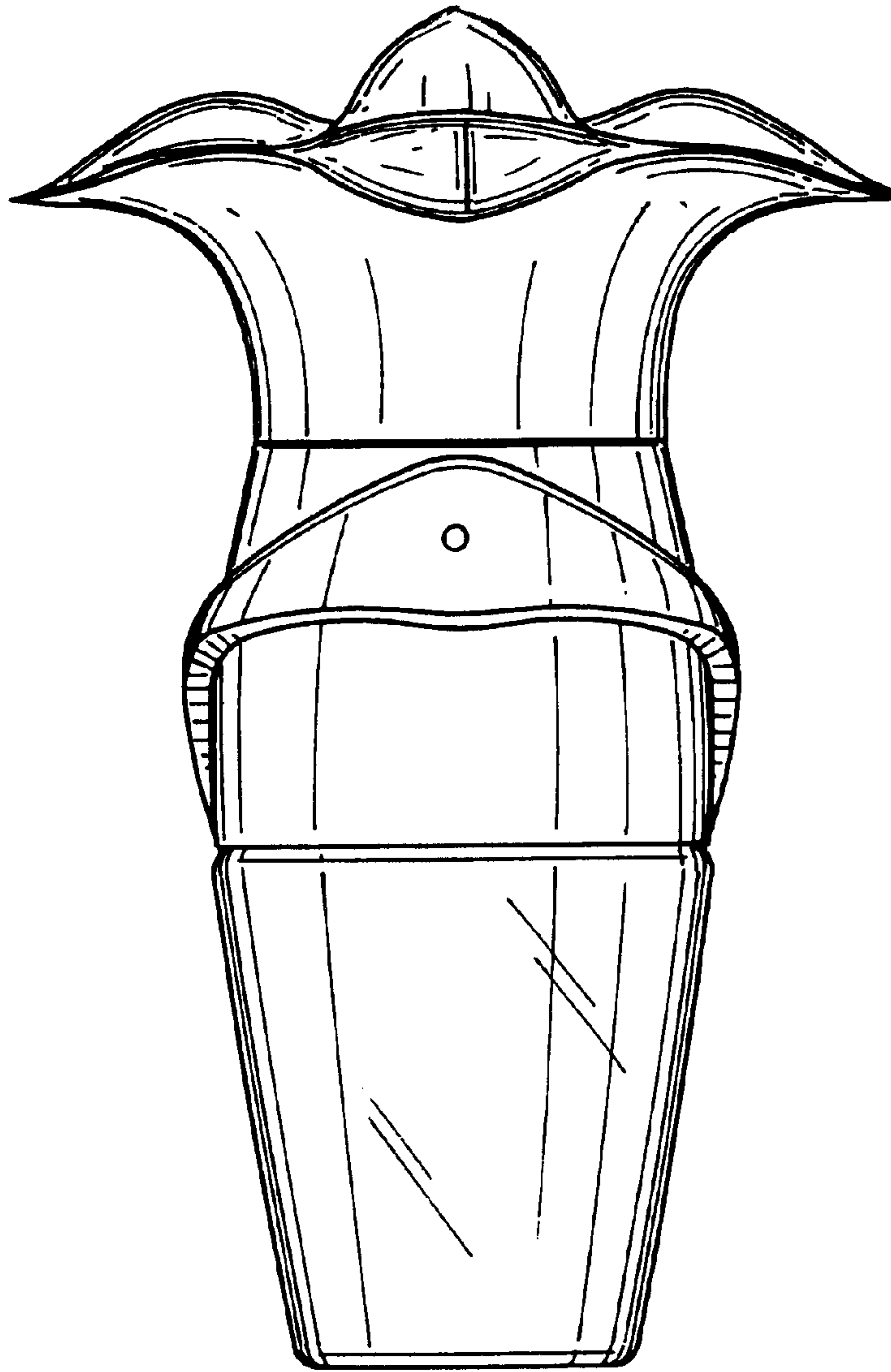


FIG. 5

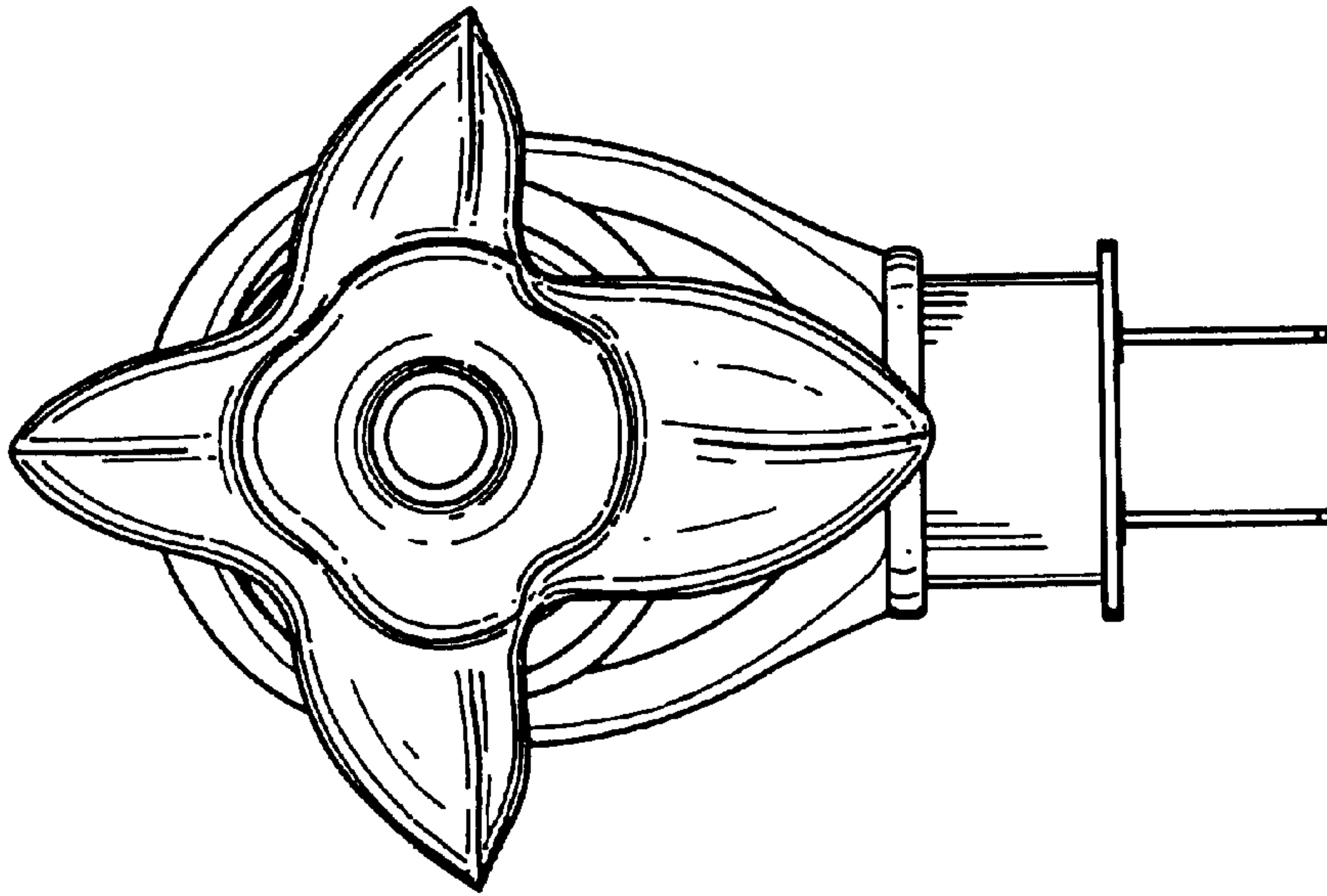


FIG. 6

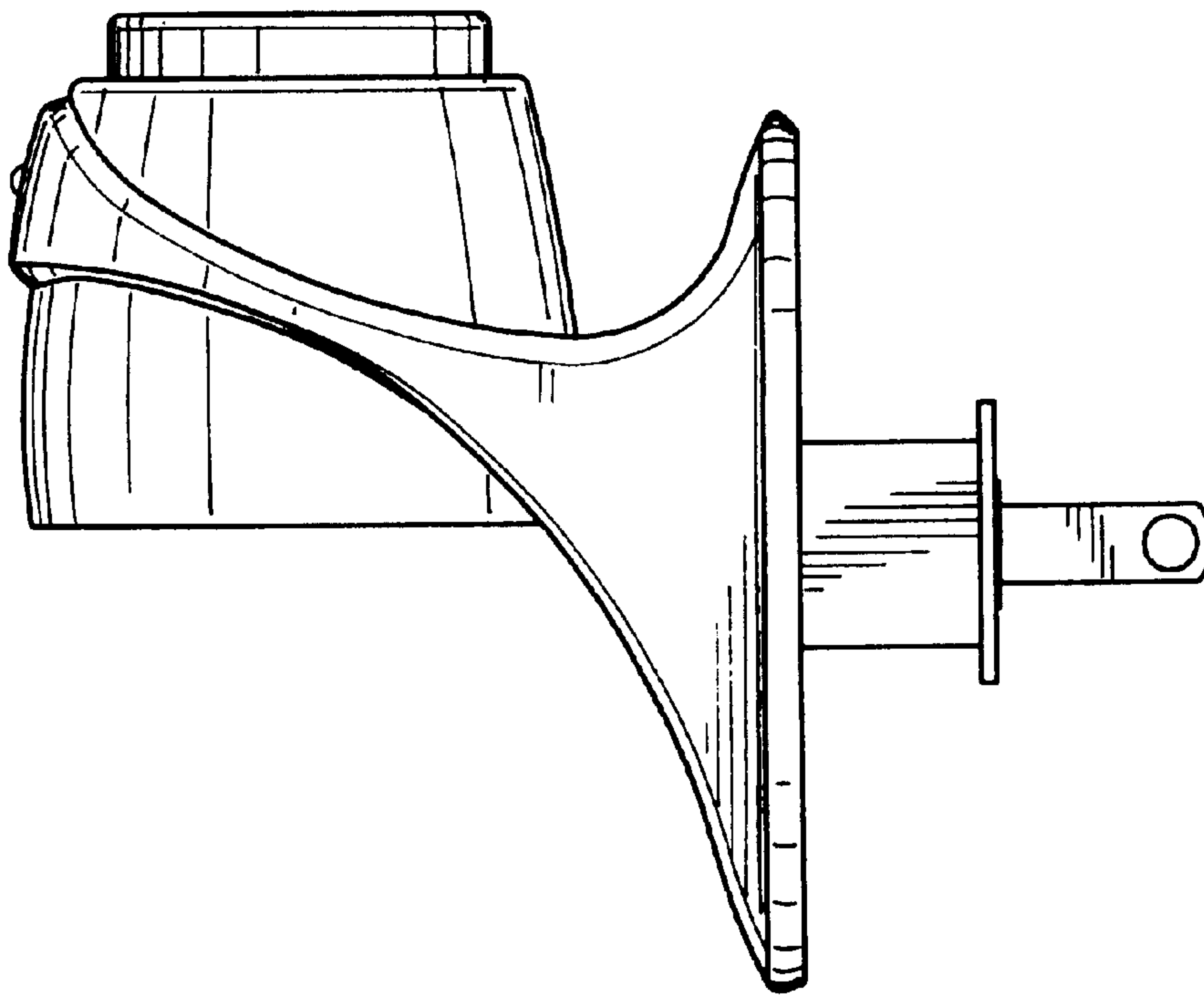


FIG. 7

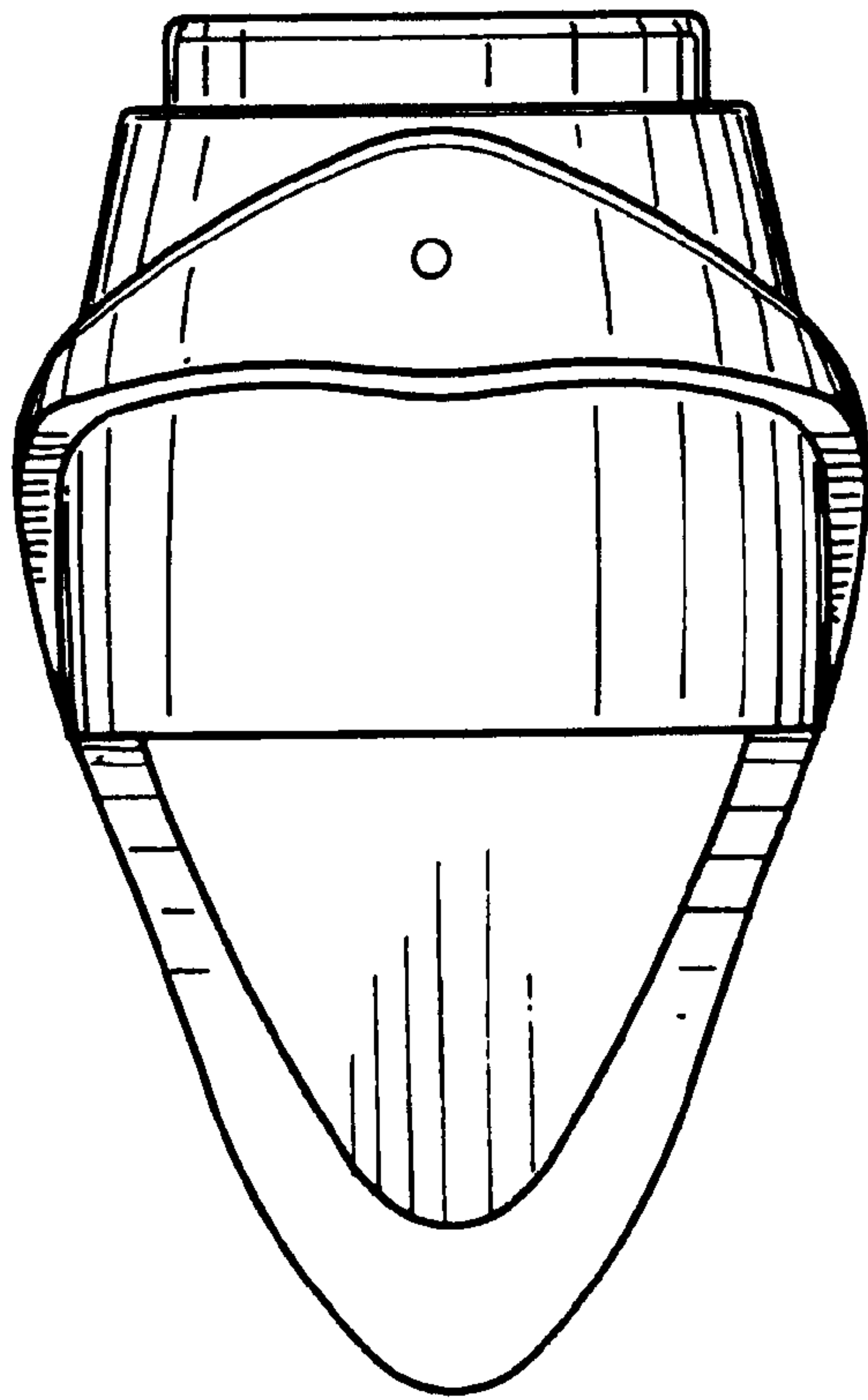


FIG. 8

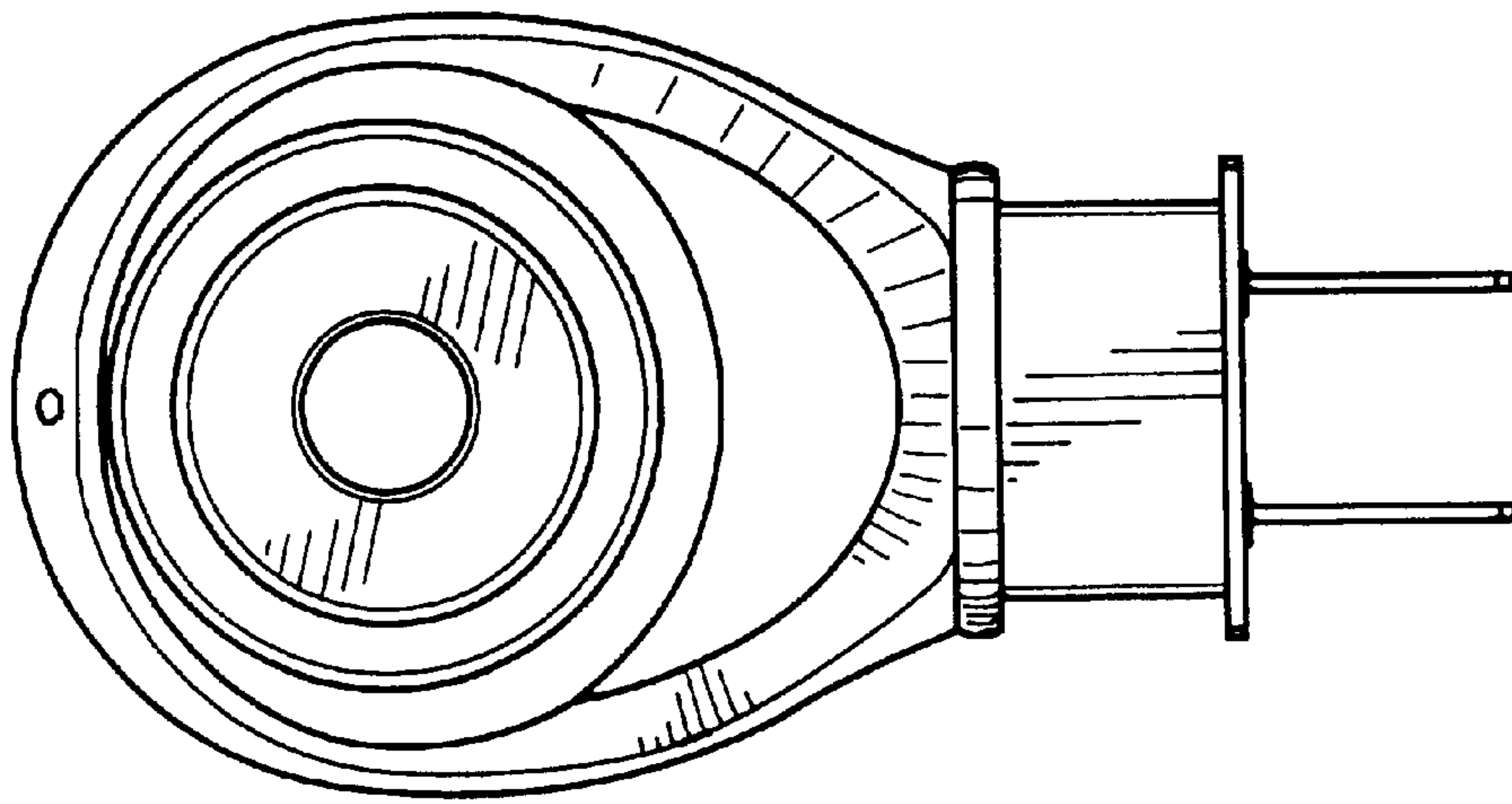


FIG. 9

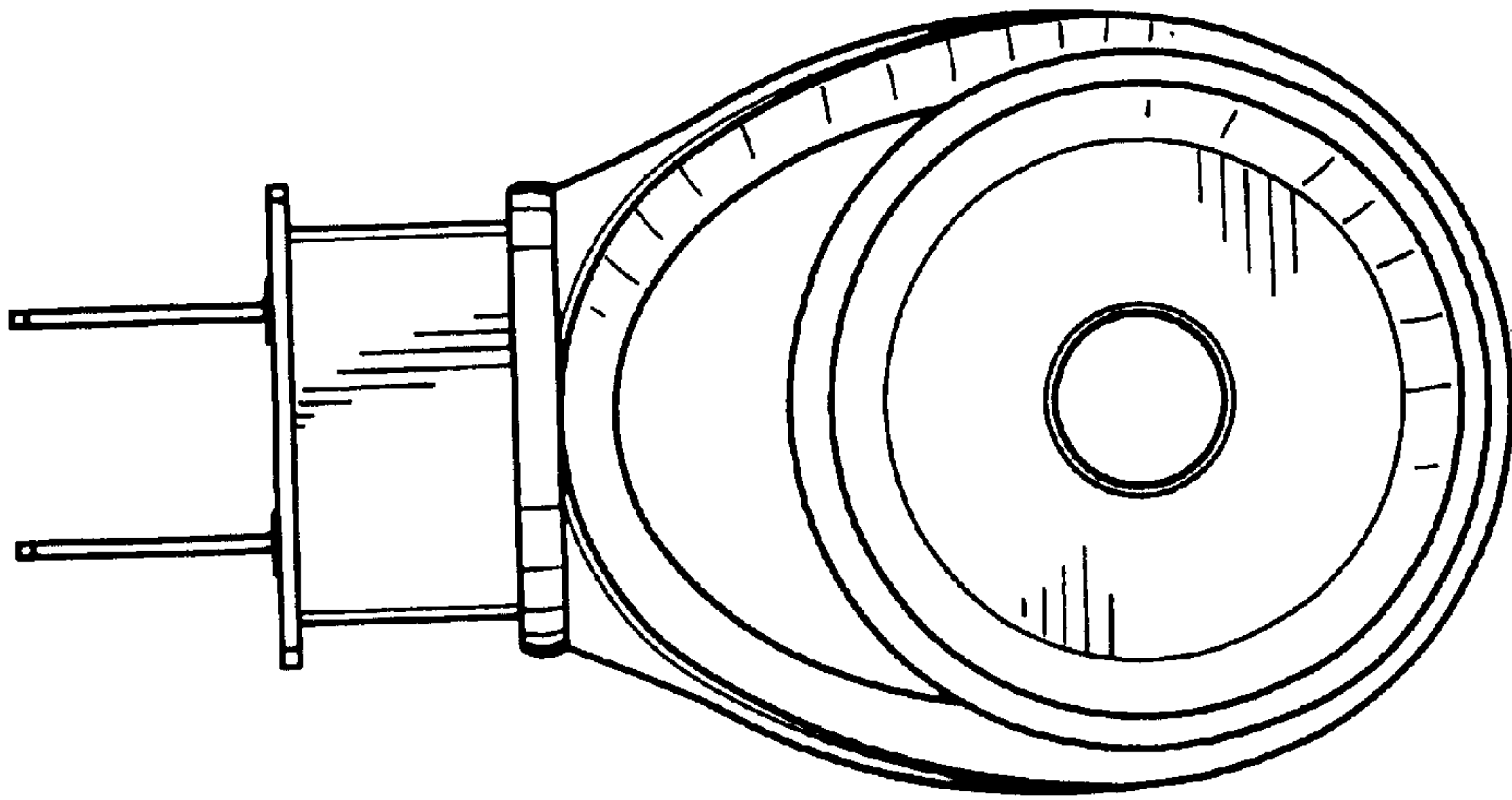


FIG. 10

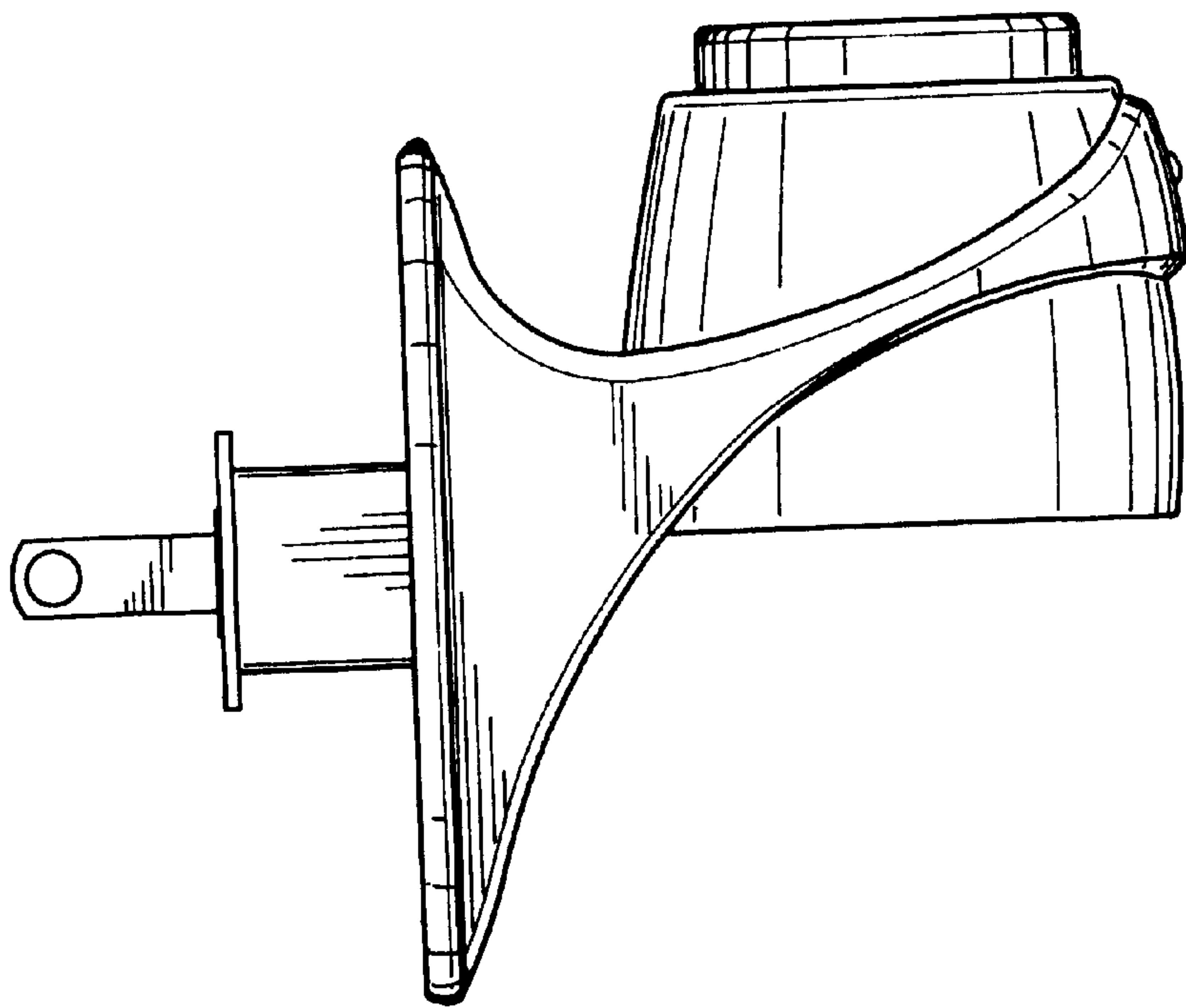


FIG. 11

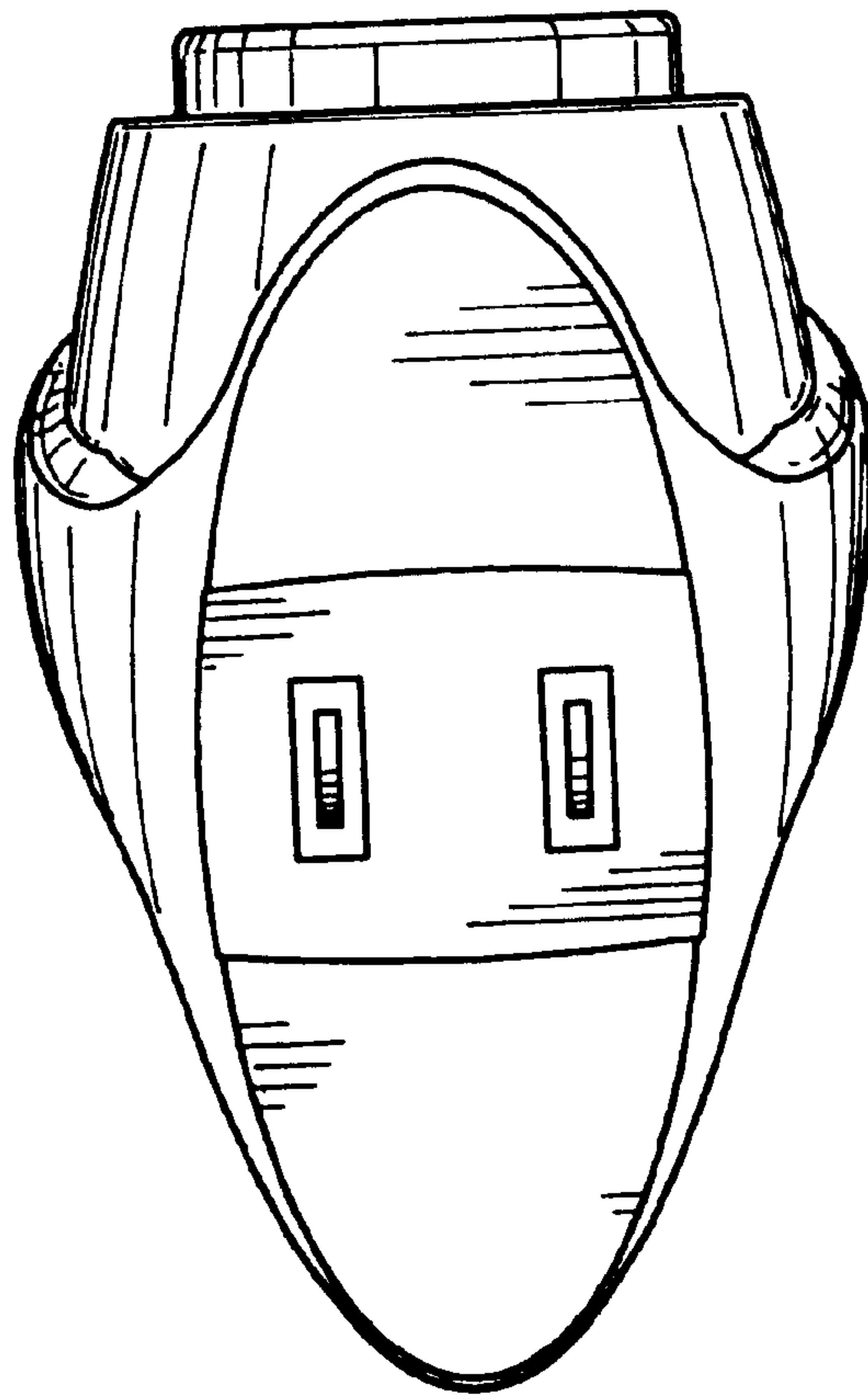


FIG. 12

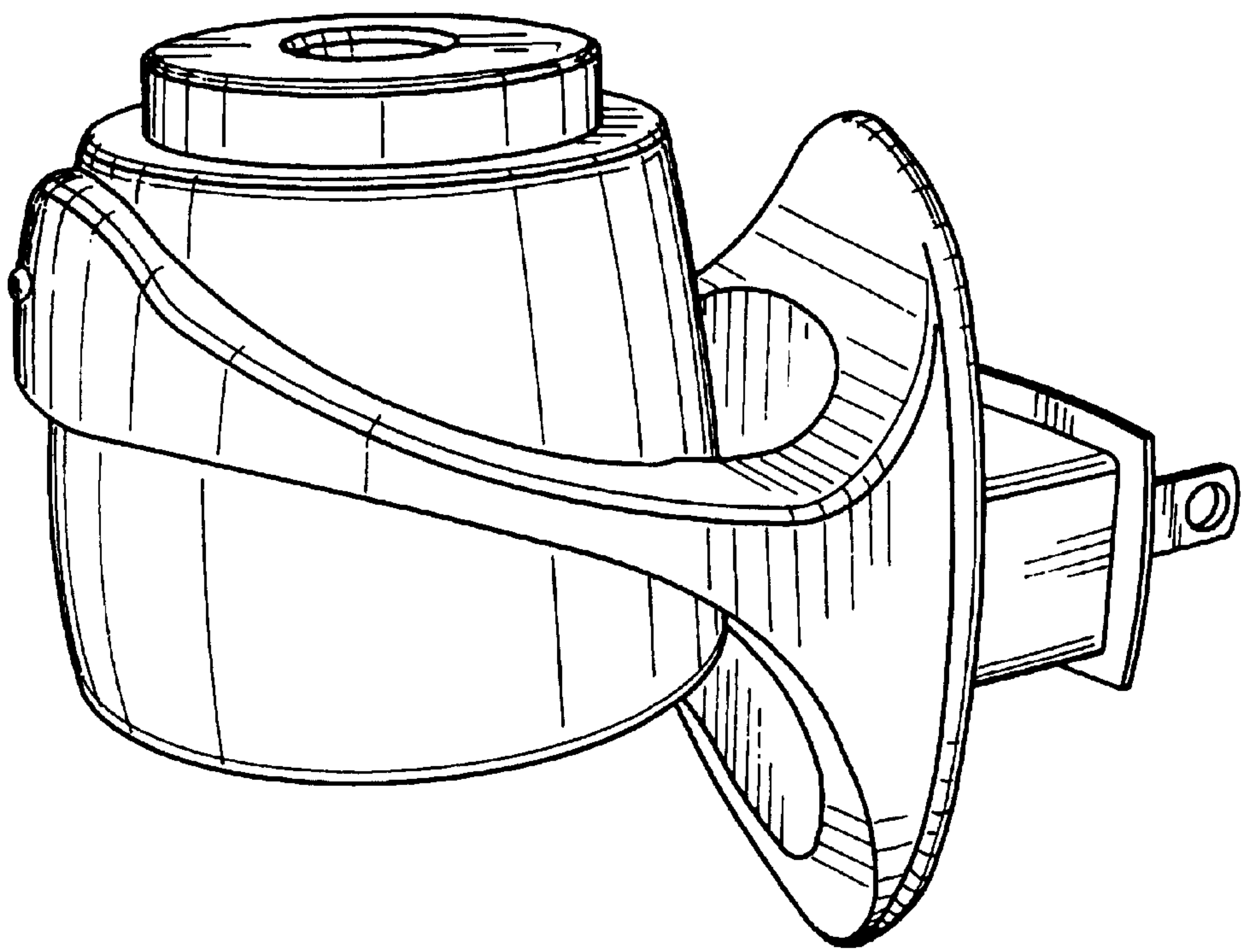


FIG. 13