



US00D488855S

(12) **United States Design Patent**
Guzzi

(10) **Patent No.:** **US D488,855 S**

(45) **Date of Patent:** **** Apr. 20, 2004**

(54) **DEODORIZING DRAIN INSERT**

(76) **Inventor:** **Donald G. Guzzi**, 4805 Monument St.,
Simi Valley, CA (US) 91351

(**) **Term:** **14 Years**

(21) **Appl. No.:** **29/124,749**

(22) **Filed:** **Jun. 10, 2000**

(51) **LOC (7) Cl.** **23-04**

(52) **U.S. Cl.** **D23/366**

(58) **Field of Search** D23/261, 366-369;
239/55-60, 53; 261/DIG. 65

(56) **References Cited**

U.S. PATENT DOCUMENTS

3,330,481	A	*	7/1967	Dearling	239/55
4,457,030	A		7/1984	Burry	4/286
5,529,243	A		6/1996	Hoyt	239/56
5,678,763	A		10/1997	Scheuer	239/54

* cited by examiner

Primary Examiner—Lisa Lichtenstein
(74) *Attorney, Agent, or Firm*—Goldstein Law Offices, P.C.

(57) **CLAIM**

The ornamental design for a deodorizing drain insert, as shown and described.

DESCRIPTION

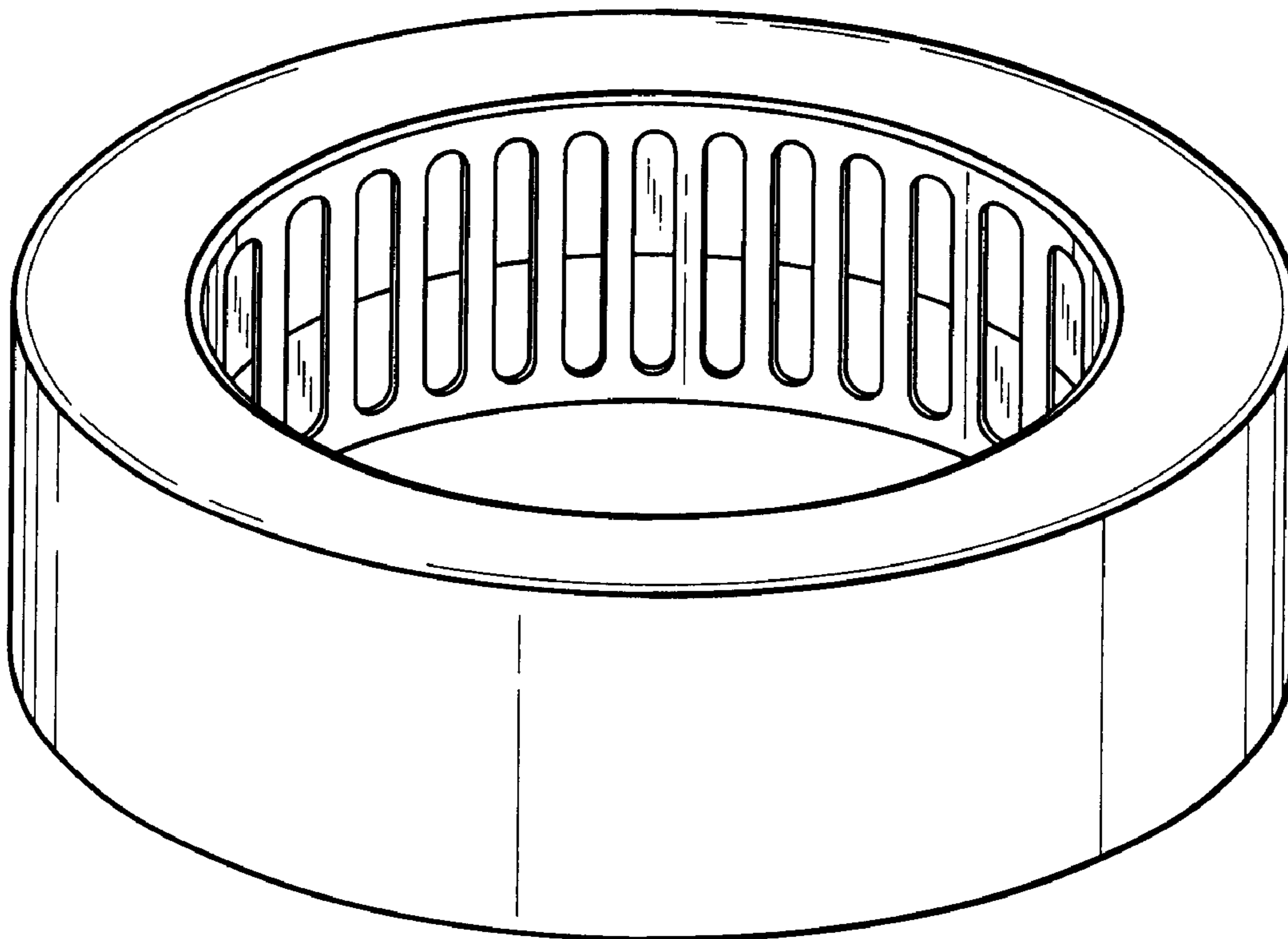
FIG. 1 is a top perspective view of a deodorizing drain insert.

FIG. 2 is a bottom perspective view of the deodorizing drain insert.

FIG. 3 is a top plan view thereof, the bottom plan view being a mirror image of the top plan view; and,

FIG. 4 is a left side elevational view thereof, the right side, front and rear elevational views being mirror images of the left side view.

1 Claim, 2 Drawing Sheets



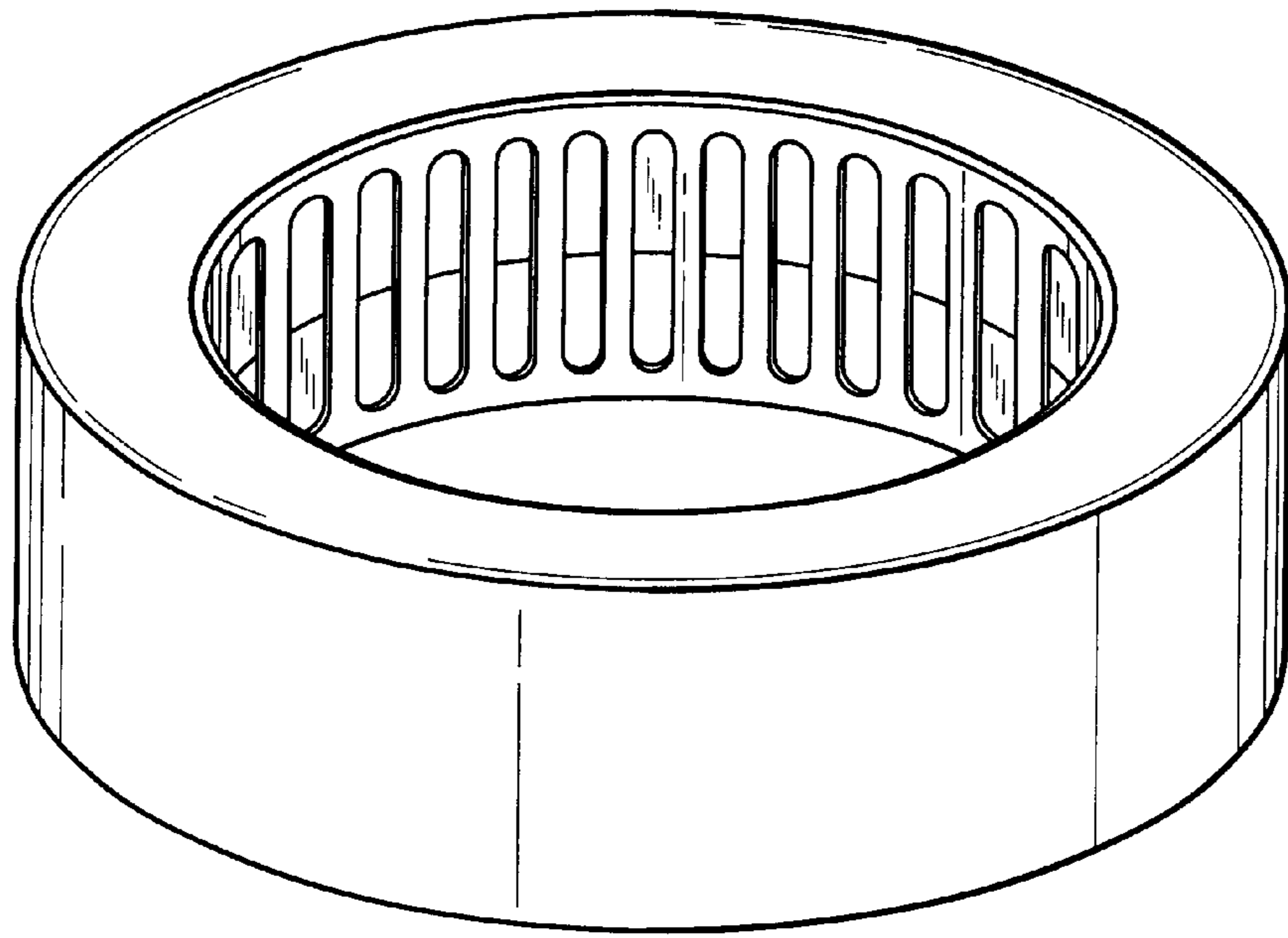


Fig. 1

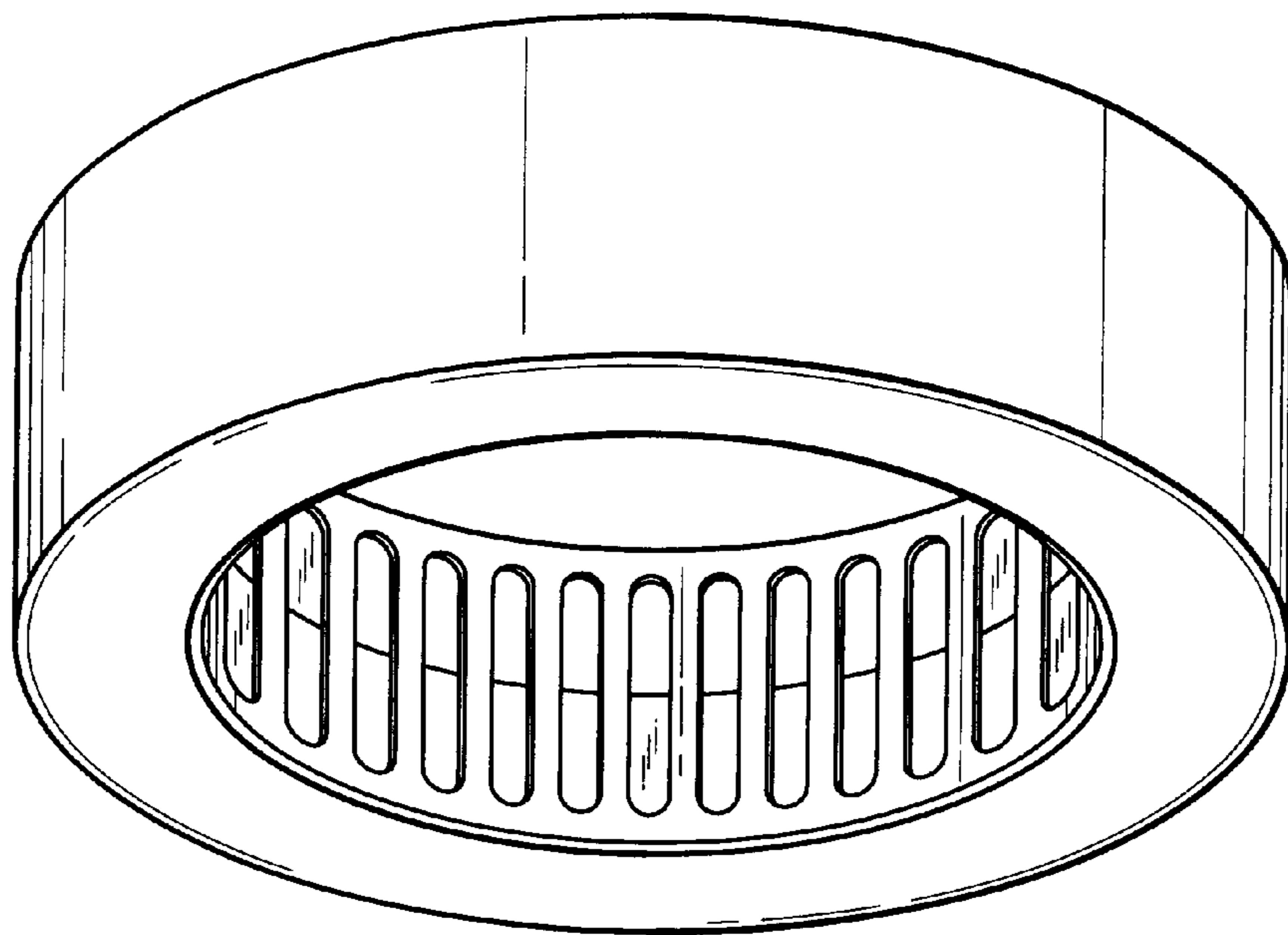


Fig. 2

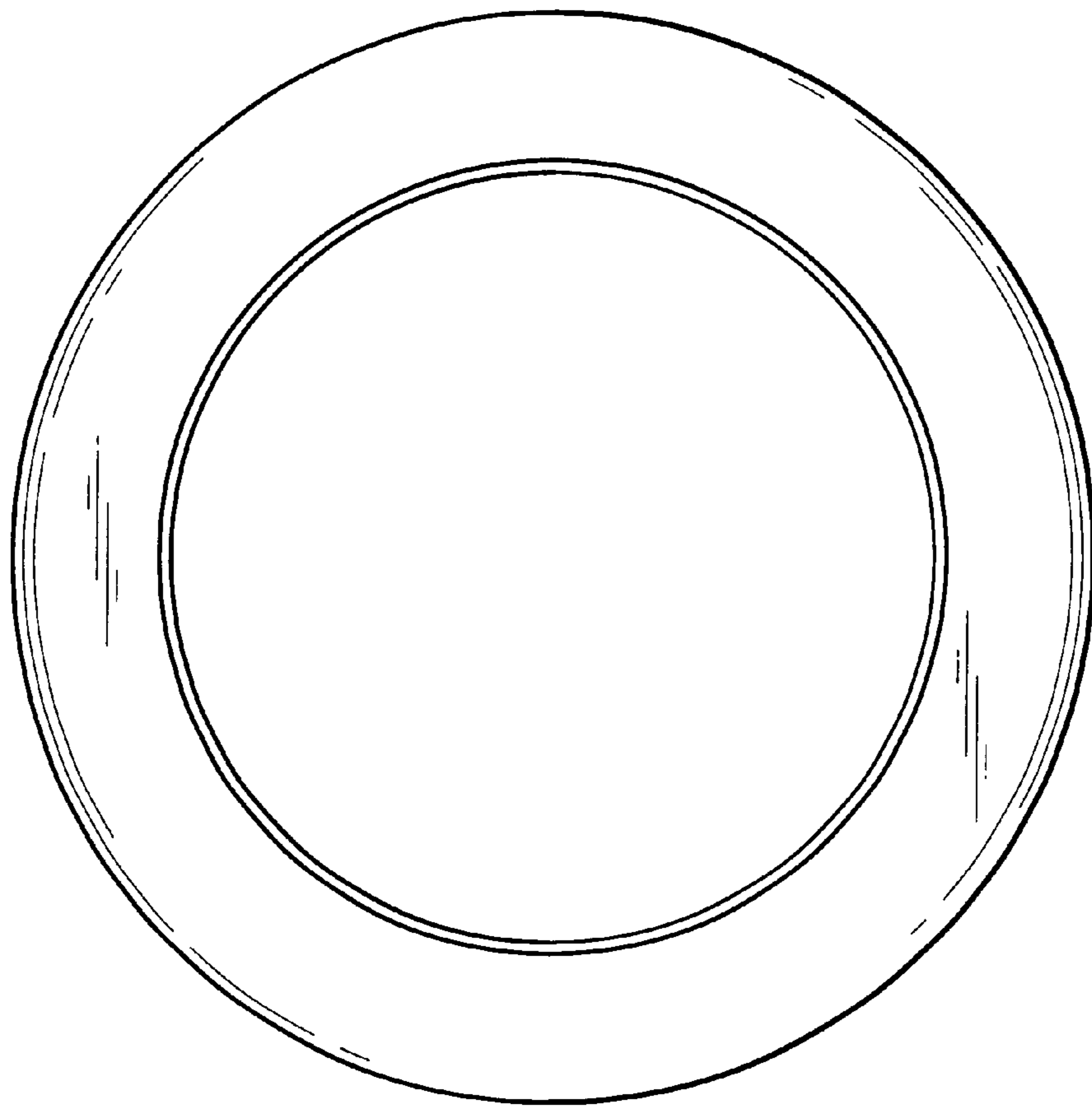


Fig. 3

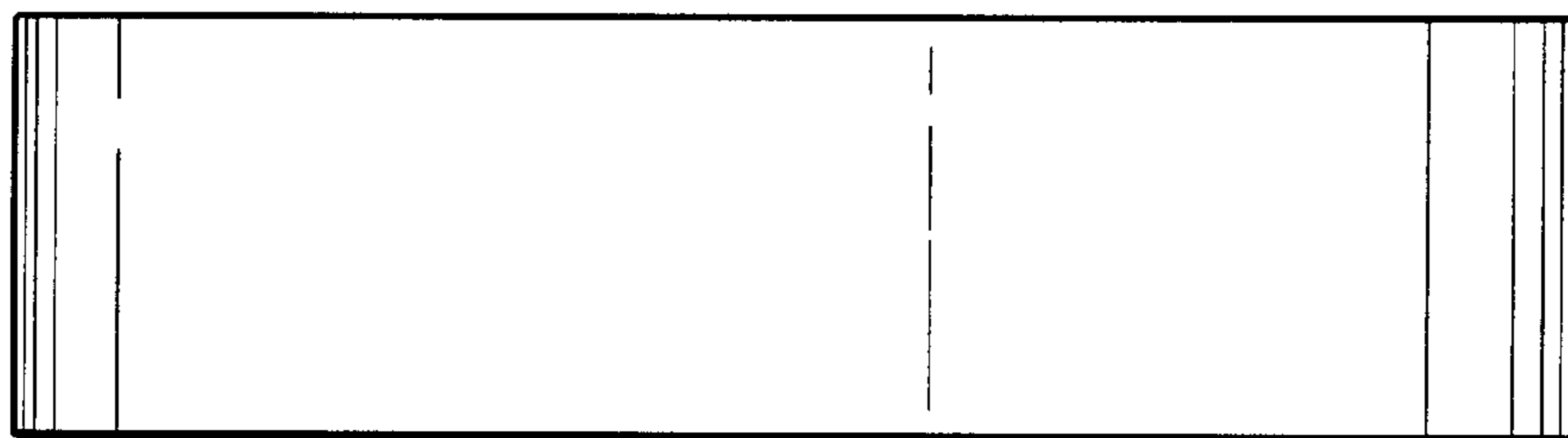


Fig. 4