



US00D488852S

(12) **United States Design Patent**
Pampinella

(10) **Patent No.:** **US D488,852 S**

(45) **Date of Patent:** **** Apr. 20, 2004**

(54) **CONDUIT COUPLING**

(75) **Inventor:** **Joseph A. Pampinella**, Great Falls, VA
(US)

(73) **Assignee:** **Inflow Products, Inc.**, Chantilly, VA
(US)

(**) **Term:** **14 Years**

5,287,730 A	2/1994	Condon	
5,385,373 A	1/1995	Love	
5,782,499 A	7/1998	Gfrerer et al.	
6,000,278 A	12/1999	Hystad	
D430,482 S	* 9/2000	Stout, Jr. D8/382
6,131,441 A	10/2000	Berube et al.	
6,234,007 B1	5/2001	Pampinella	
6,299,216 B1	10/2001	Thompson	
D451,984 S	* 12/2001	Tigerholm D23/262

* cited by examiner

(21) **Appl. No.:** **29/161,017**

(22) **Filed:** **May 22, 2002**

(51) **LOC (7) Cl.** **23-01**

(52) **U.S. Cl.** **D23/262**

(58) **Field of Search** D23/262; 285/104,
285/105, 404; 403/300, 291

Primary Examiner—Robin V. Taylor
(74) *Attorney, Agent, or Firm*—Dinesh Agarwal, P.C.

(57) **CLAIM**

The ornamental design for a conduit coupling, as shown and described.

DESCRIPTION

(56) **References Cited**

U.S. PATENT DOCUMENTS

1,133,714 A	3/1915	Elder	
1,928,316 A	9/1933	Muto	
2,823,887 A	2/1958	Osinski	
2,953,015 A	9/1960	Carrie	
3,232,577 A	2/1966	Sargent	
3,941,349 A	3/1976	Pierson	
3,945,604 A	3/1976	Clarkson	
4,019,371 A	4/1977	Chaplin et al.	
4,124,231 A	* 11/1978	Ahlstone 285/18
4,176,756 A	12/1979	Gellman	
4,194,721 A	3/1980	Nachtigahl	
D262,133 S	* 12/1981	Fain D23/262
4,407,171 A	10/1983	Hasha et al.	
4,429,568 A	2/1984	Ullivan	
4,602,504 A	7/1986	Barber	
4,763,510 A	8/1988	Palmer	
4,795,197 A	1/1989	Kaminski et al.	
4,819,974 A	* 4/1989	Zeidler 285/373
4,895,181 A	1/1990	McKavanagh	
5,018,768 A	5/1991	Palatchy	
5,076,095 A	12/1991	Erhardt	
5,269,568 A	2/1993	Courturier	
5,197,324 A	3/1993	Keys	

FIG. 1 is a left perspective view of a conduit coupling of the present invention;
 FIG. 2 is a top plan view of the conduit coupling of FIG. 1;
 FIG. 3 is a right side view of the conduit coupling of FIG. 1;
 FIG. 4 is a left side view of the conduit coupling of FIG. 1;
 FIG. 5 is a bottom plan view of the conduit coupling of FIG. 1;
 FIG. 6 is a rear elevational view of the conduit coupling of FIG. 1;
 FIG. 7 is a front elevational view of the conduit coupling of FIG. 1; and,
 FIG. 8 is a left perspective view of a second embodiment of the conduit coupling of FIG. 1.
 The top, right, left, bottom, rear and front views of the second embodiment being similar to FIGS. 2–7, respectively.
 The matter shown in phantom lines in FIGS. 1–2 and 5 is for illustrative purposes only and forms no part of the claimed design.

1 Claim, 4 Drawing Sheets

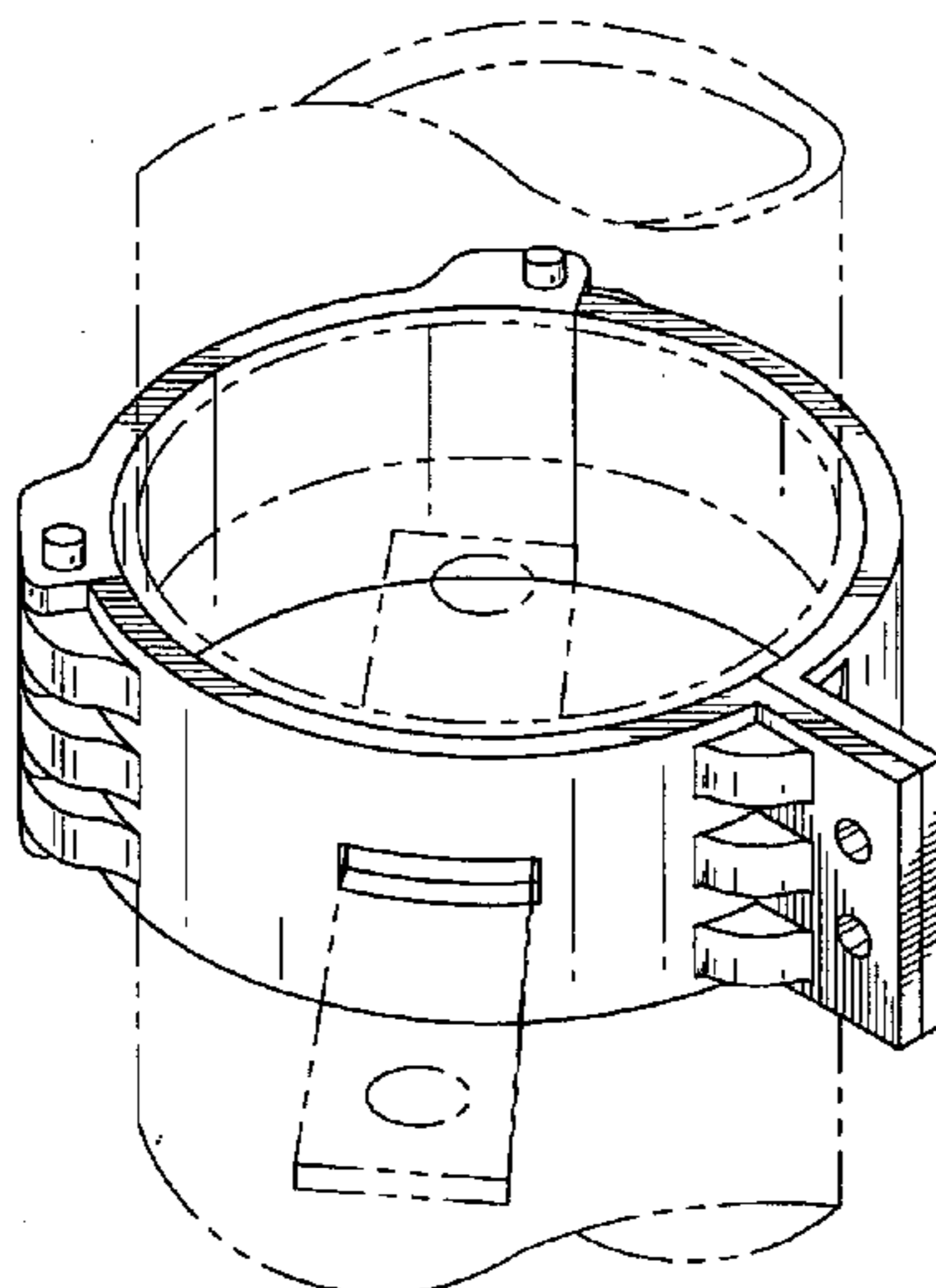


FIG.1

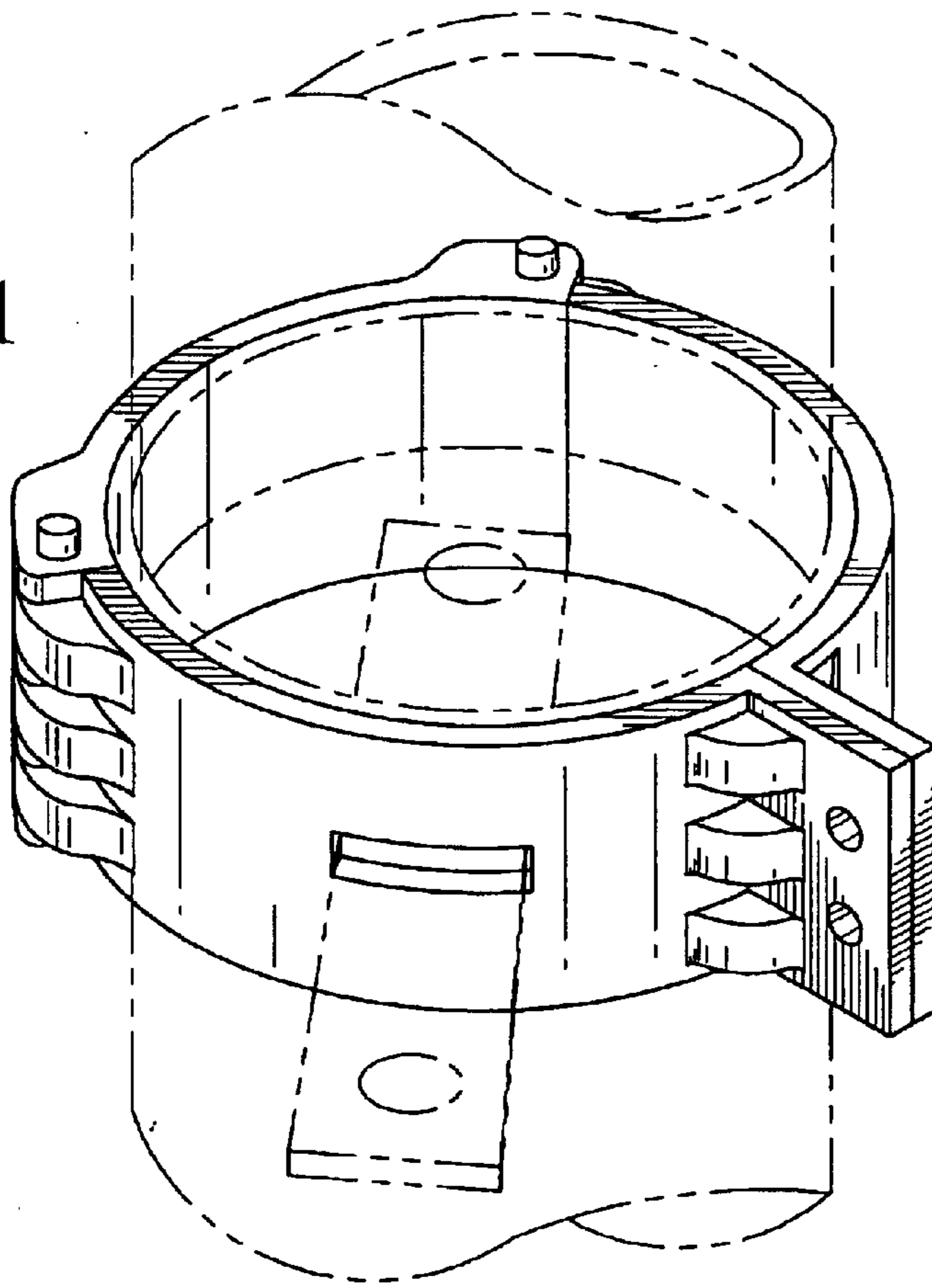
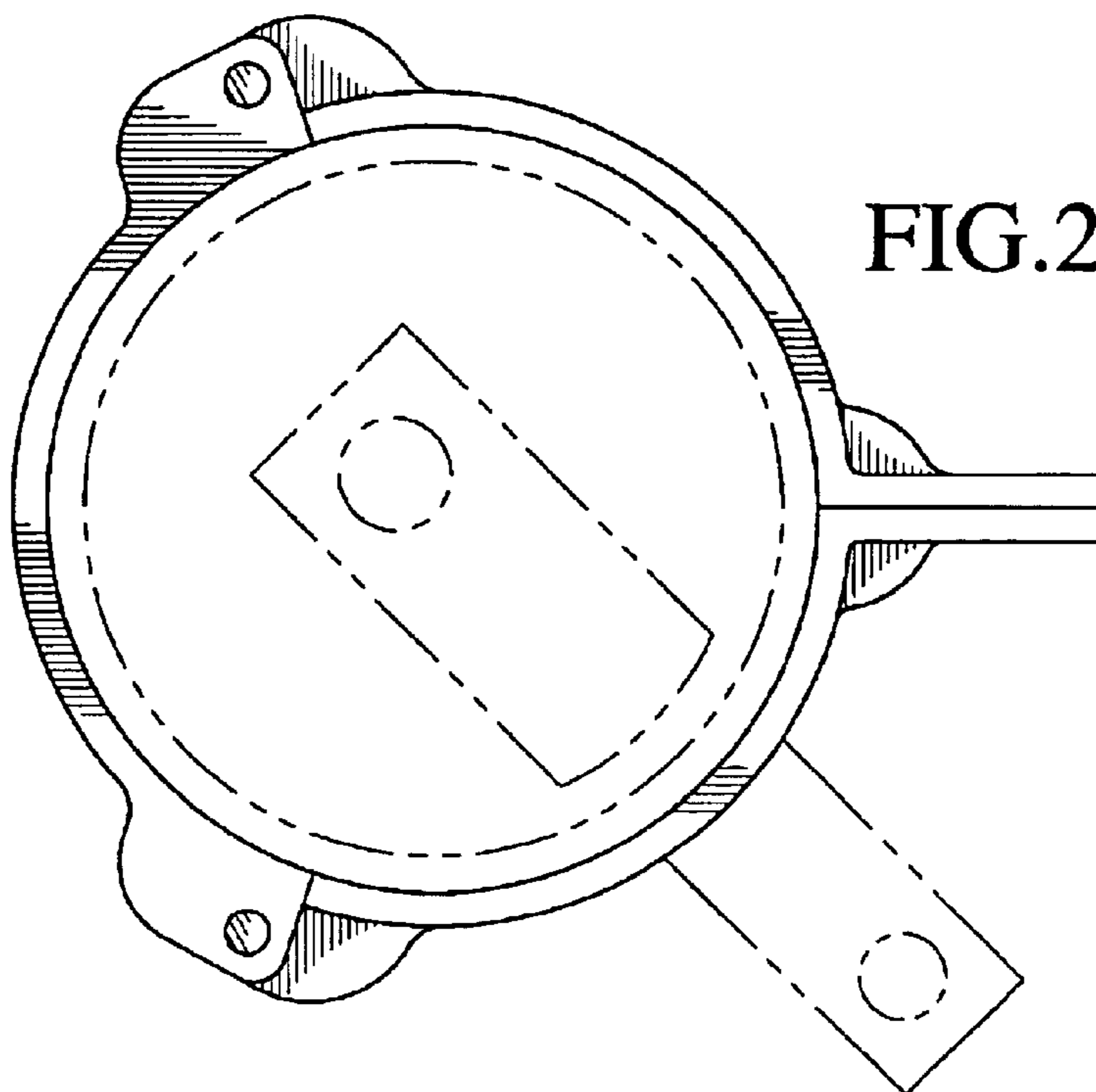


FIG.2



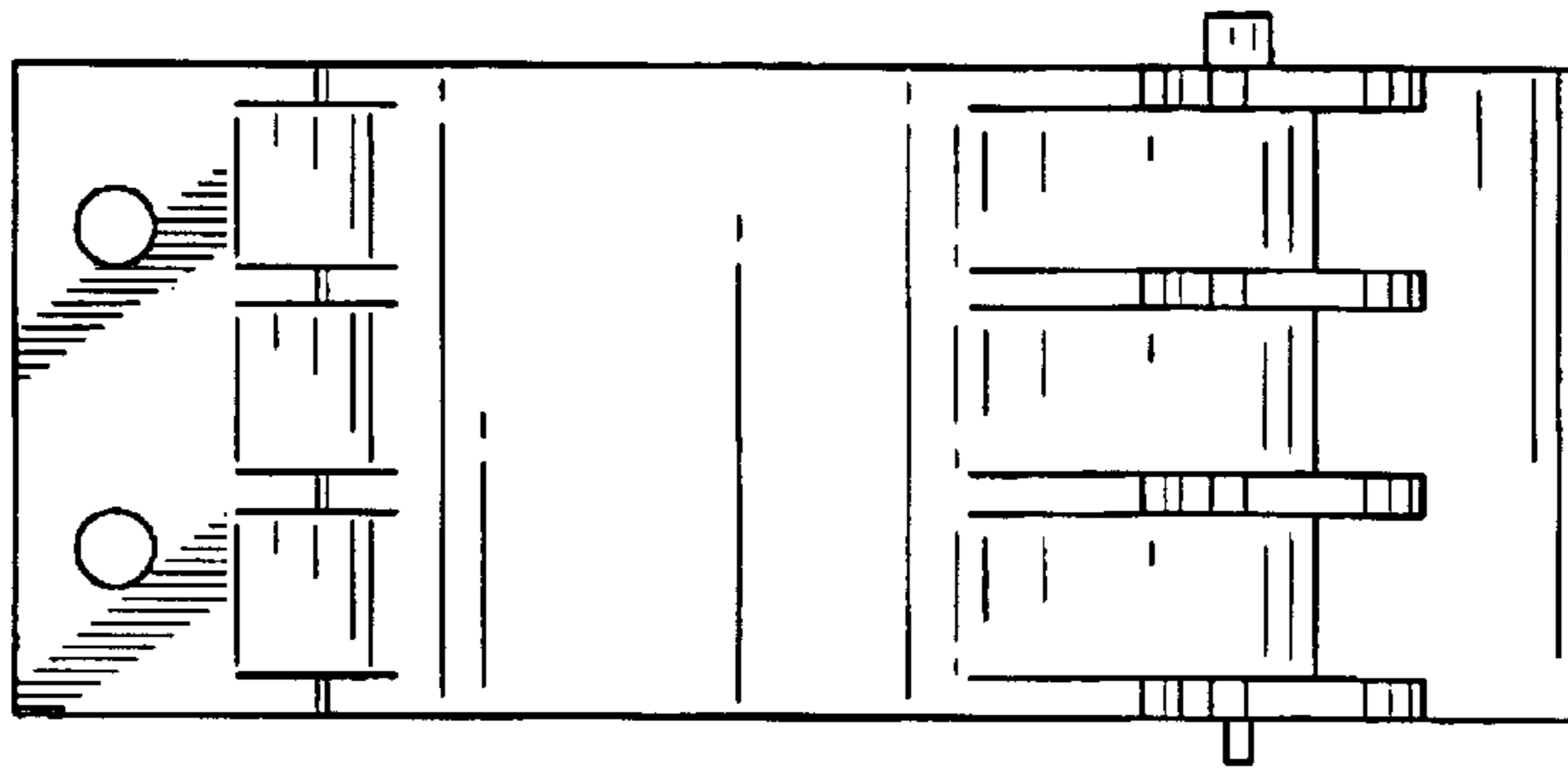


FIG. 3

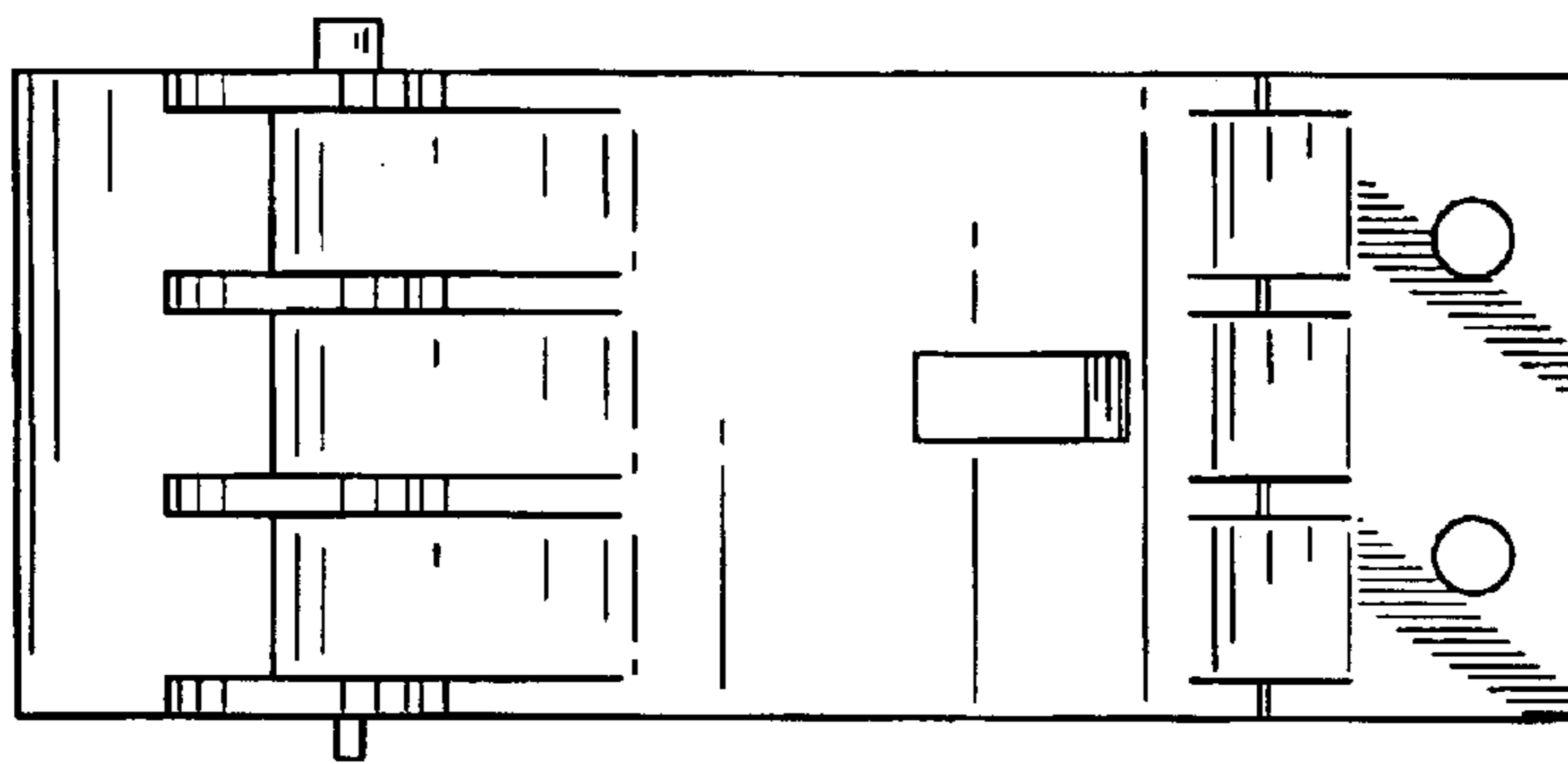


FIG. 4

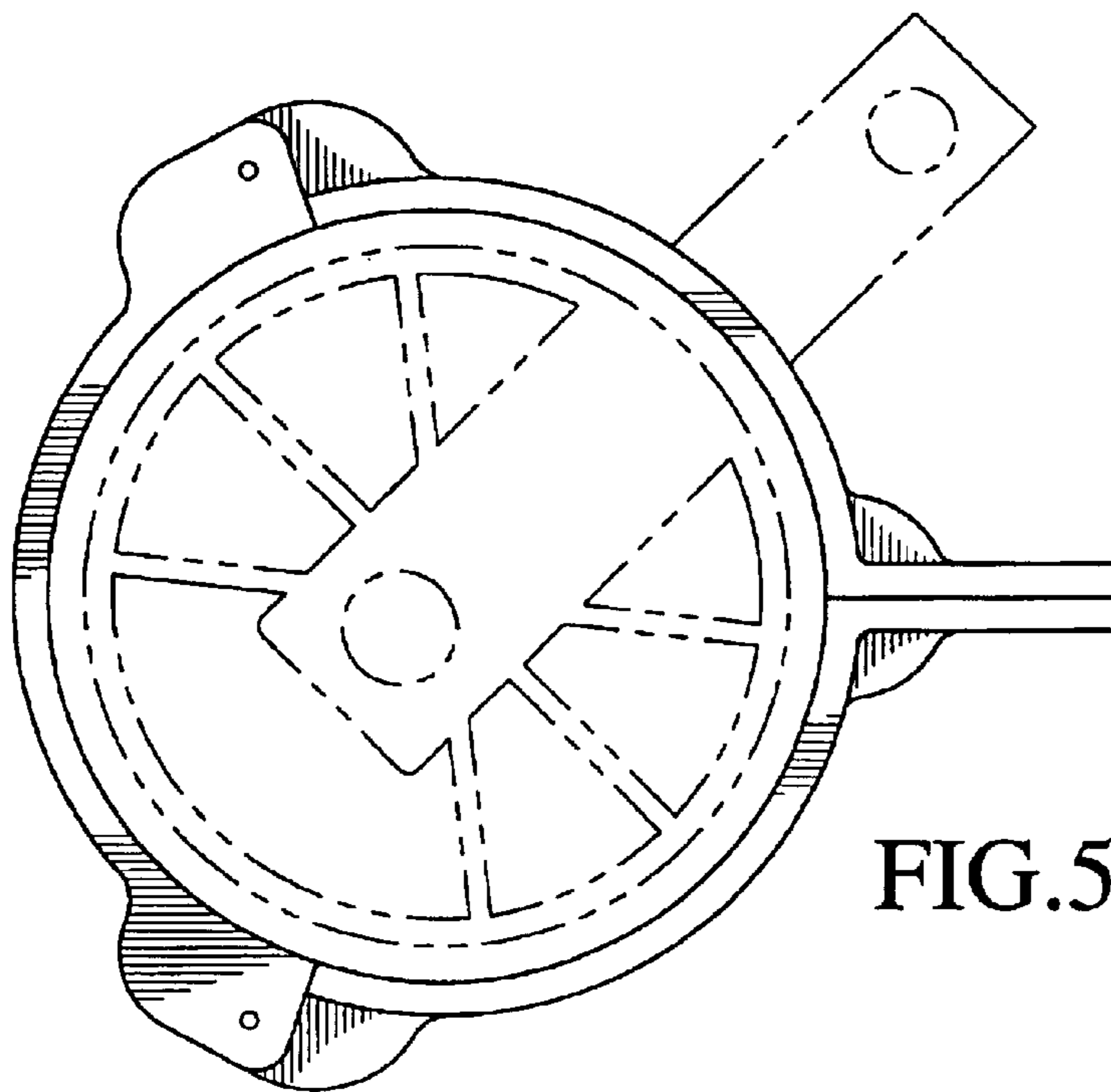


FIG. 5

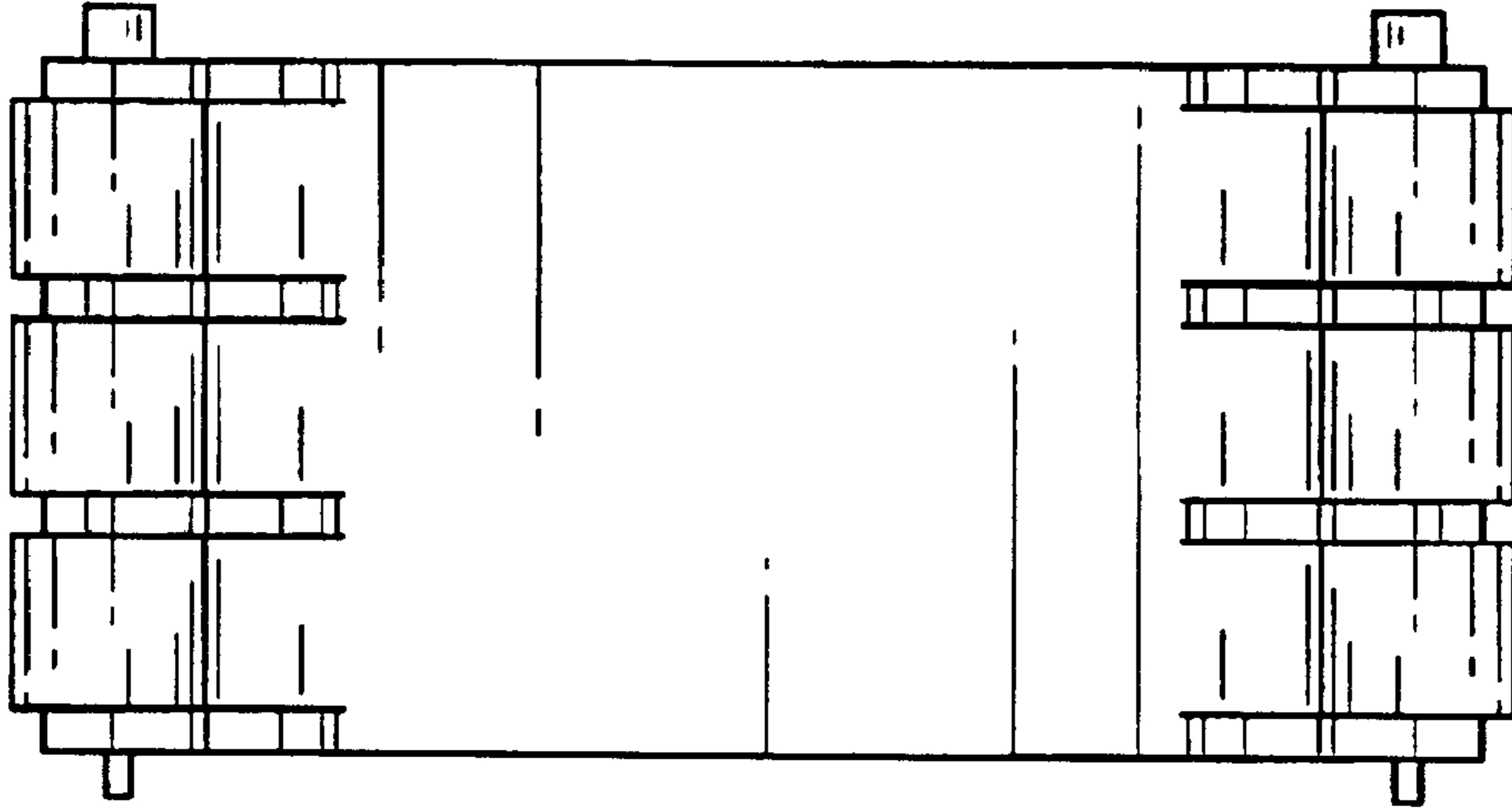


FIG. 6

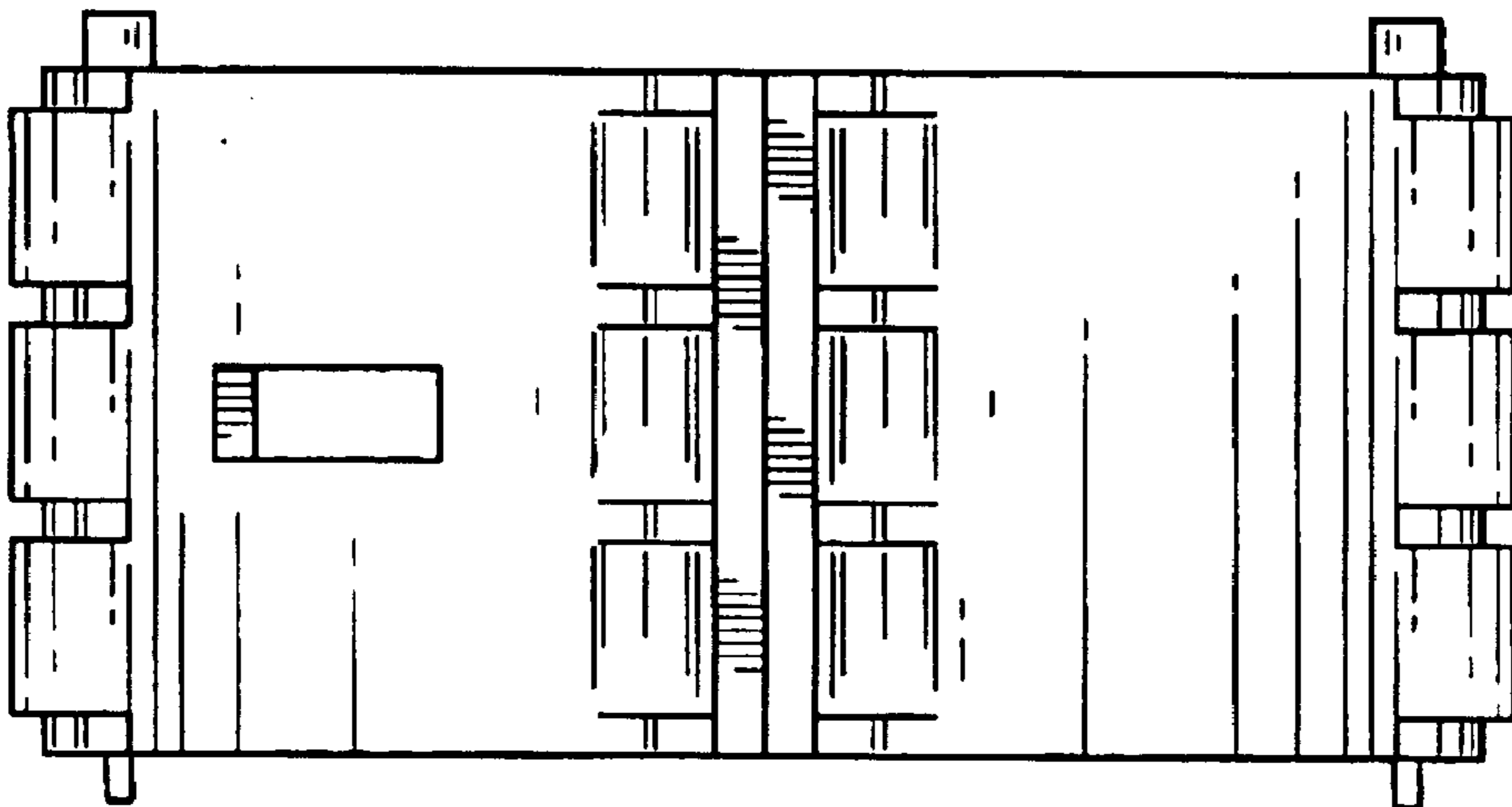


FIG. 7

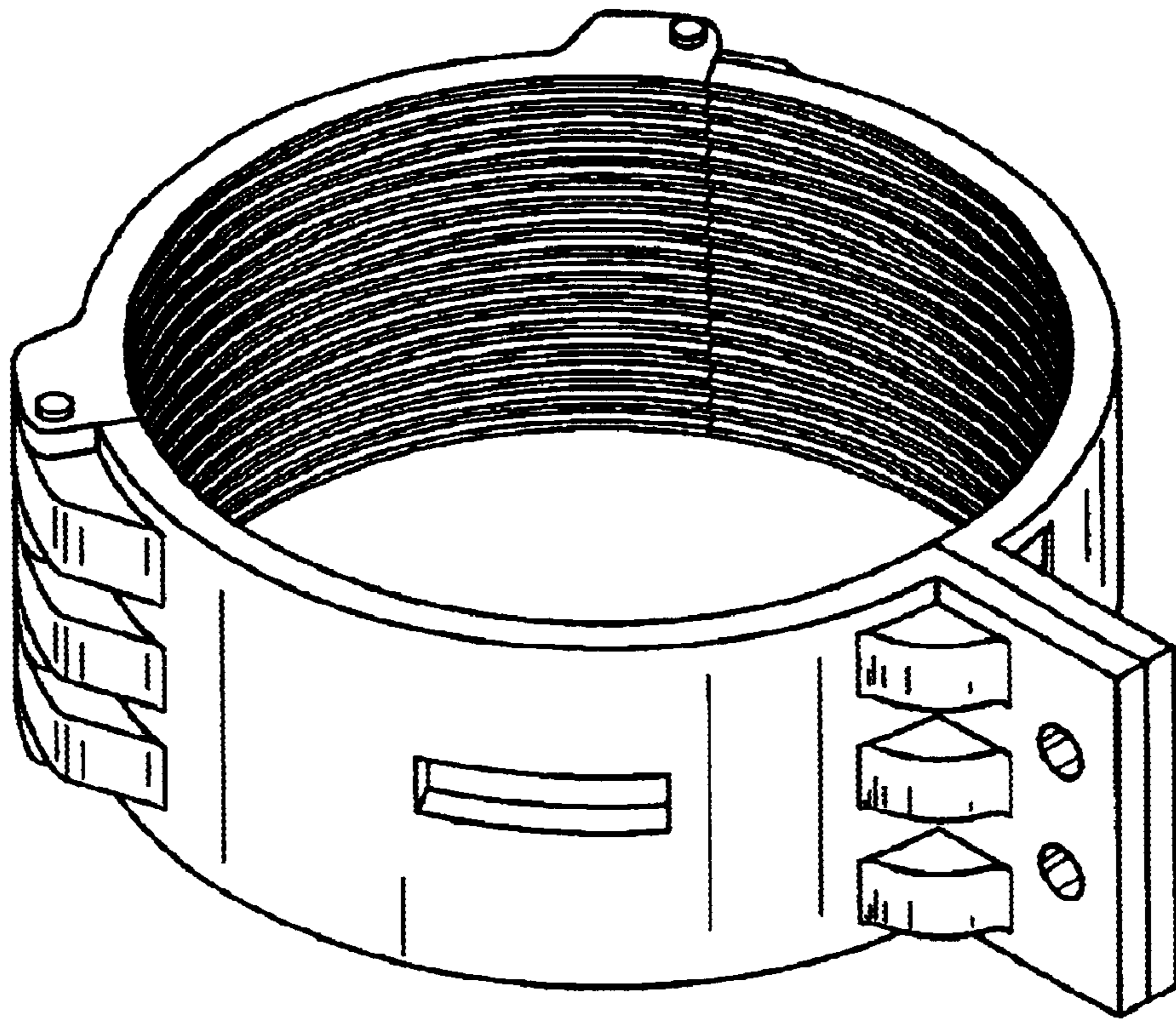


FIG. 8