



US00D488848S

(12) **United States Design Patent**
Kysilka

(10) **Patent No.:** **US D488,848 S**

(45) **Date of Patent:** **** Apr. 20, 2004**

(54) **SLING BOW WITH COMPACT UNIVERSAL FRAME AND ADJUSTABLE PULL LENGTH**

(76) **Inventor:** **James O. Kysilka**, 15413 E. Highway 94, Rogers, AR (US) 72758

(**) **Term:** **14 Years**

(21) **Appl. No.:** **29/178,372**

(22) **Filed:** **Mar. 24, 2003**

(51) **LOC (7) Cl.** **22-01**

(52) **U.S. Cl.** **D22/107**

(58) **Field of Search** D22/100, 102, D22/107, 199; 273/DIG. 4; 124/20.1, 20.2, 20.3, 22, 41.1, 80

(56) **References Cited**

U.S. PATENT DOCUMENTS

3,018,770	A	*	1/1962	Saunders	D22/106
3,306,278	A	*	2/1967	Spatari	124/22
3,511,221	A	*	5/1970	Saunders	124/20.1
3,749,075	A		7/1973	Saunders		
4,437,449	A	*	3/1984	Attanasio	124/22
4,458,658	A		7/1984	Blair		
4,873,963	A	*	10/1989	Lemmen	124/20.3

4,877,007	A	*	10/1989	Olson	124/22
D378,228	S		2/1997	Kysilka		
5,752,495	A		5/1998	Tuller et al.		
5,762,056	A		6/1998	Kysilka		
D471,615	S		3/2003	Kysilka		

* cited by examiner

Primary Examiner—Louis S. Zarfes
Assistant Examiner—Monica A. Weingart
(74) *Attorney, Agent, or Firm*—IPLM Group, P.A.

(57) **CLAIM**

The ornamental design for sling bow with compact universal frame and adjustable pull length, as shown and described.

DESCRIPTION

FIG. 1 is a perspective view as seen from the right side and above the sling bow with compact universal frame and adjustable pull length, showing my new design; FIG. 2 is a right side elevational view of FIG. 1; FIG. 3 is a left side elevational view of FIG. 1; FIG. 4 is a front elevational view of FIG. 1; FIG. 5 is a rear elevational view of FIG. 1; FIG. 6 is a top view of FIG. 1; and, FIG. 7 is a bottom view of FIG. 1.

1 Claim, 6 Drawing Sheets

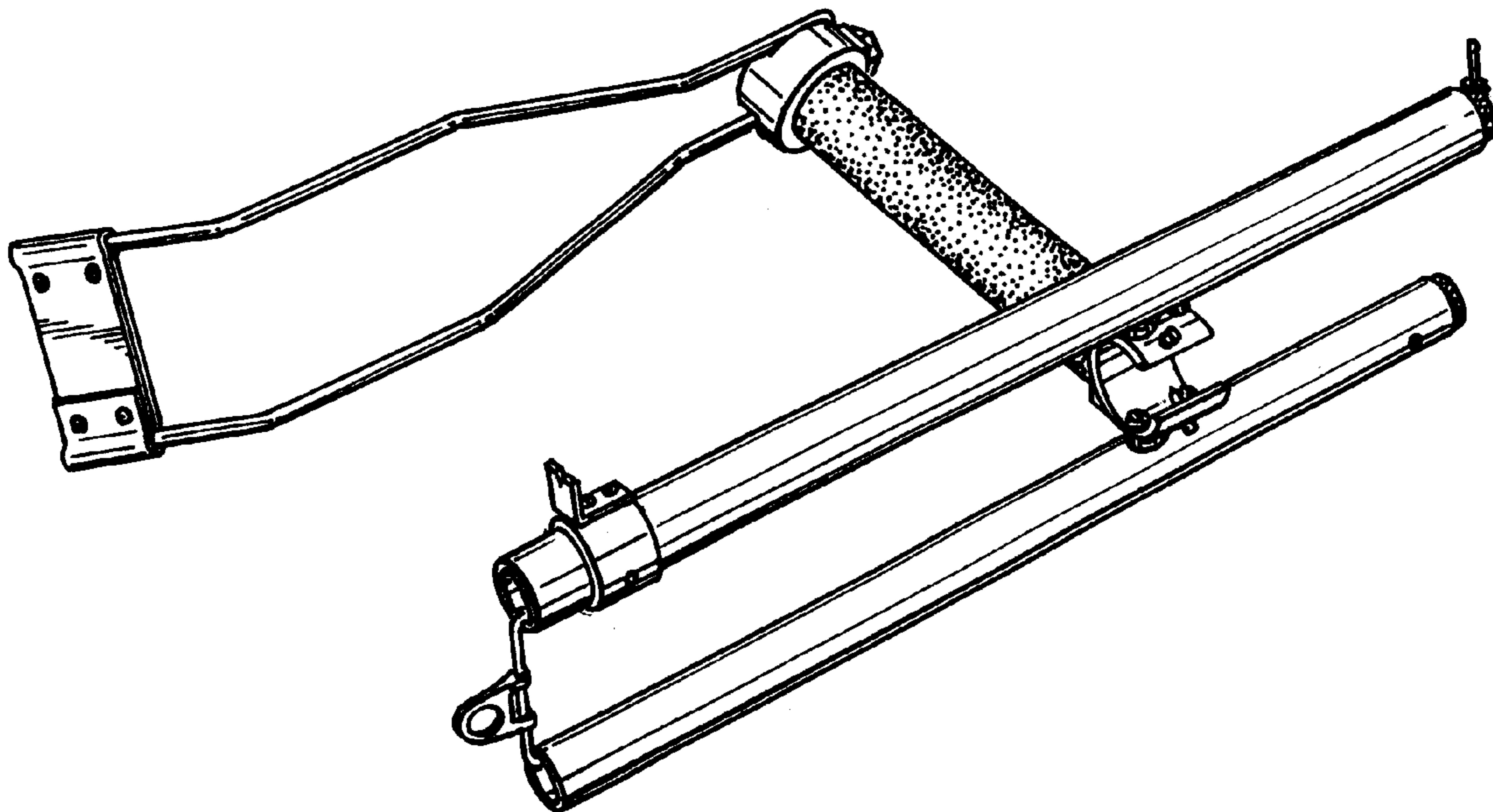


FIG. 1

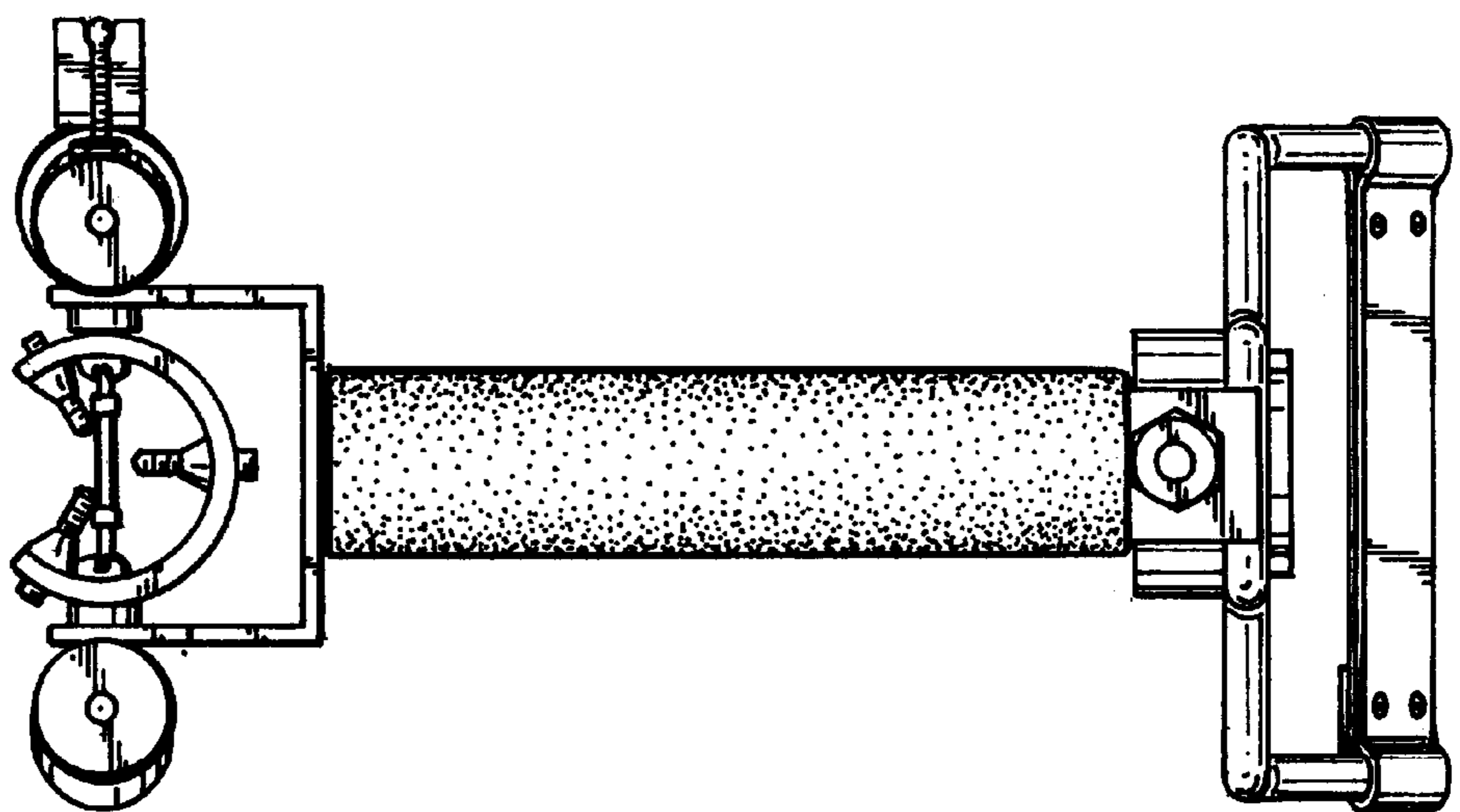
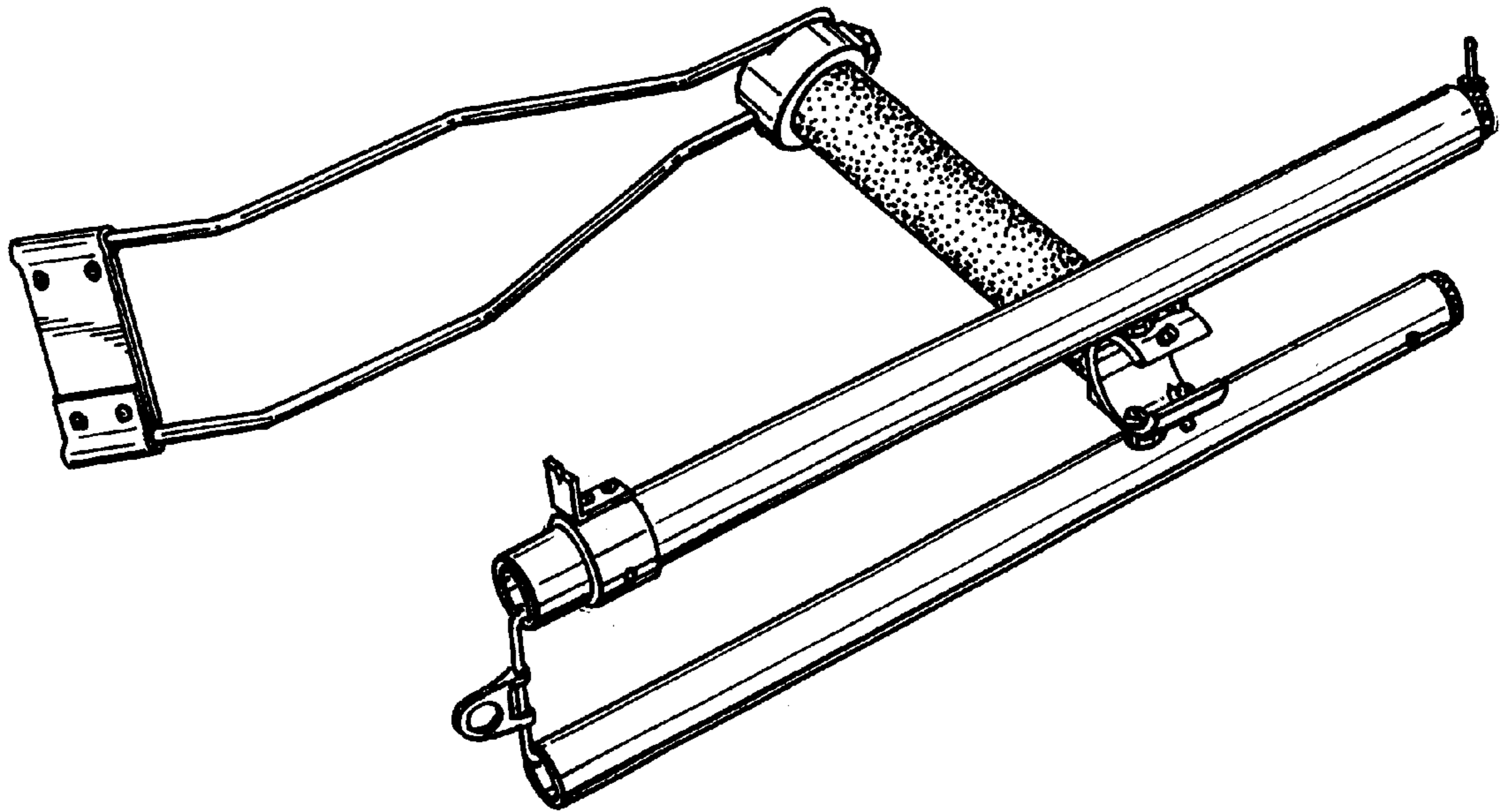
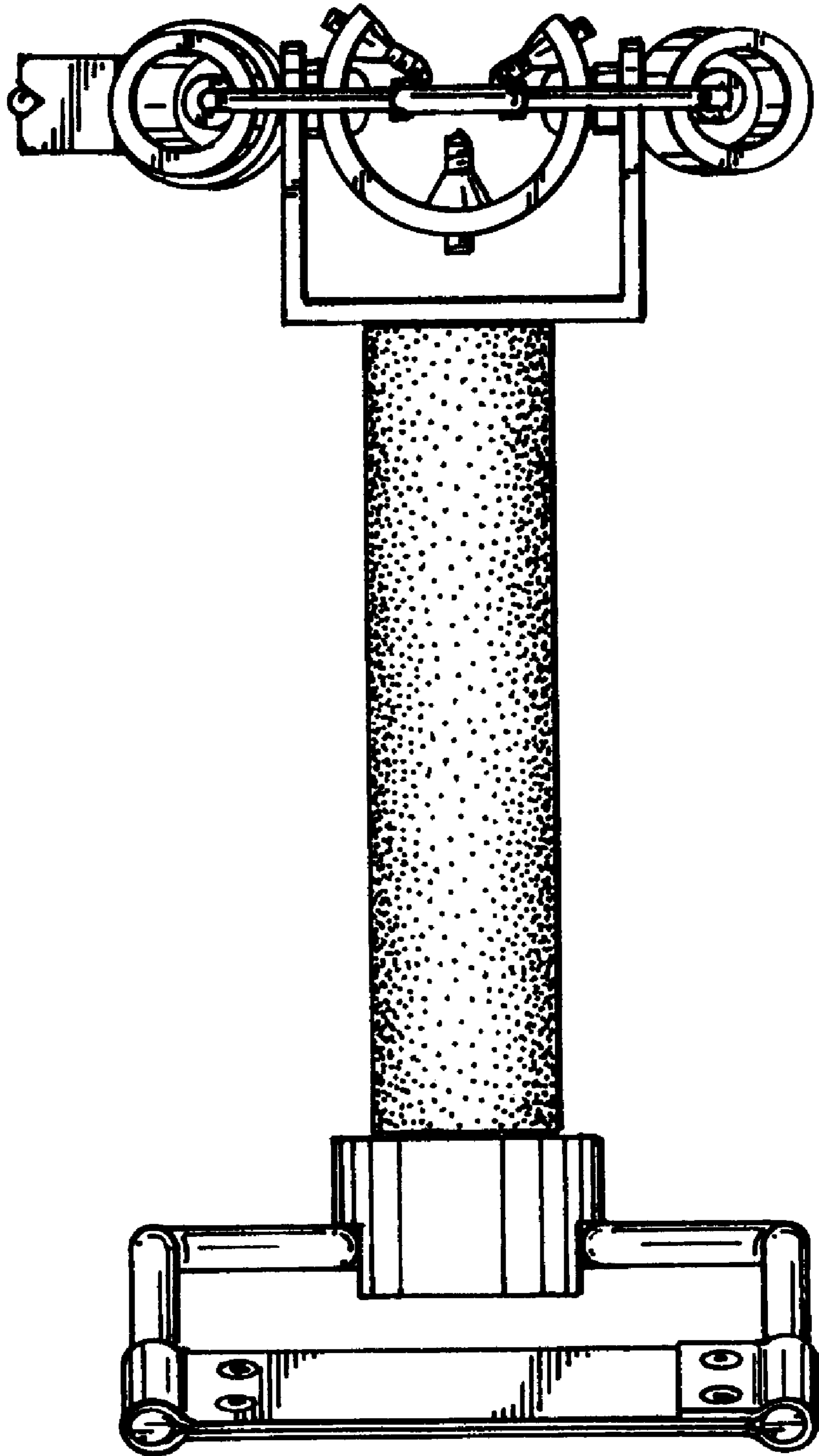


FIG. 2

FIG. 3



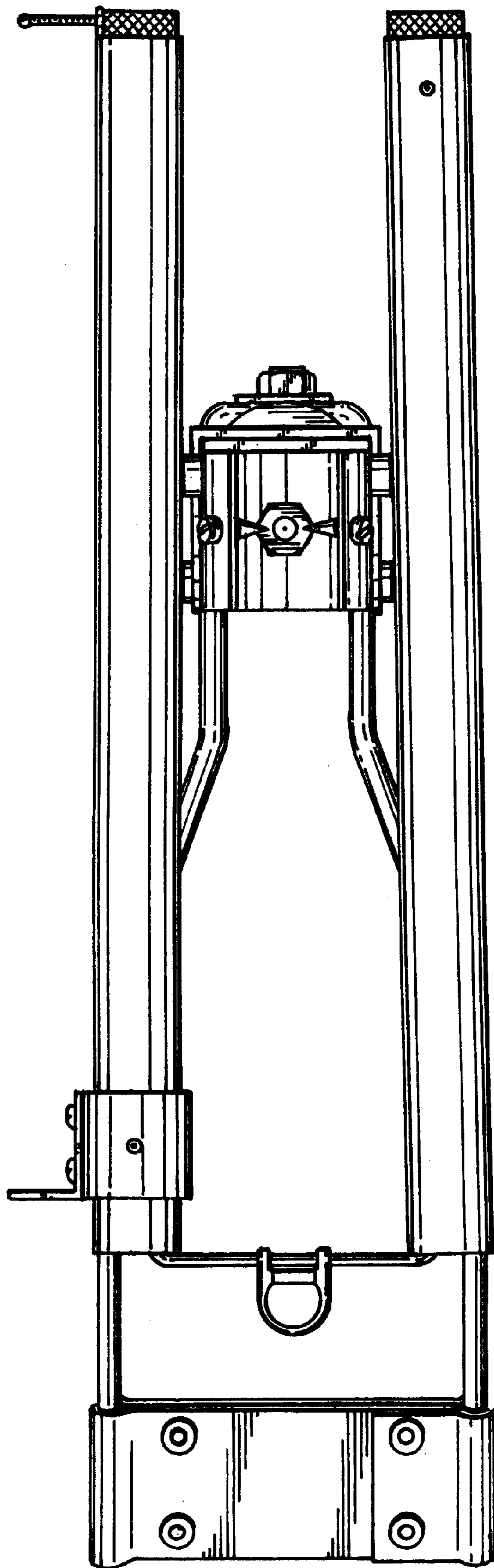


FIG. 4

FIG. 5

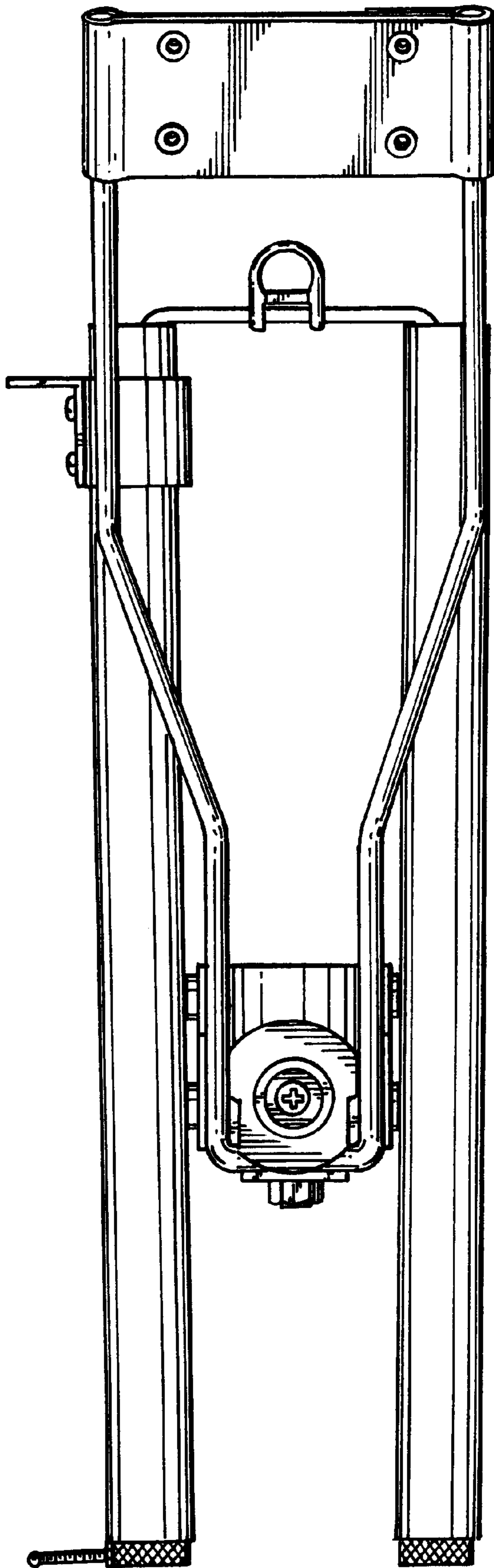
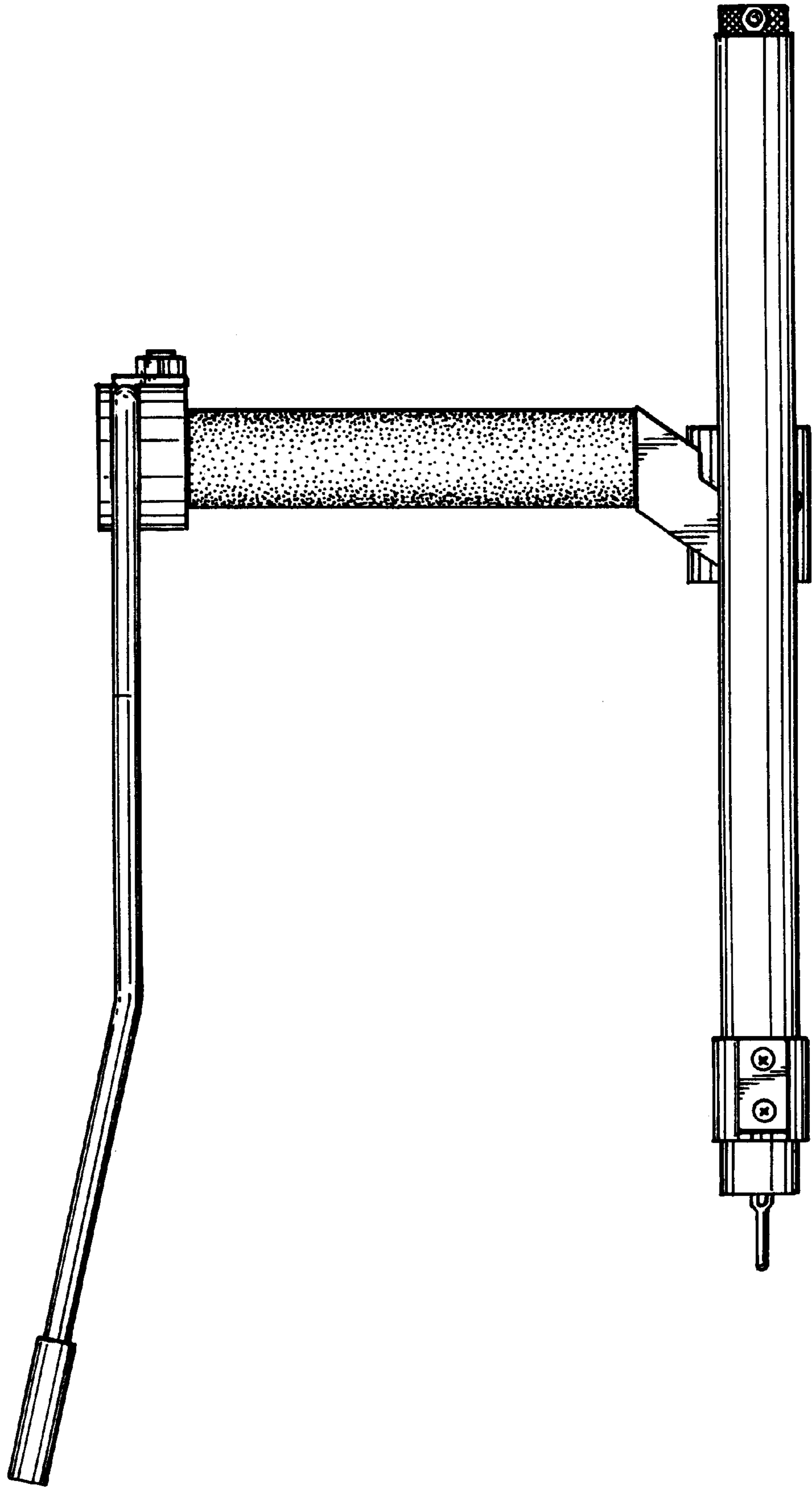


FIG. 6



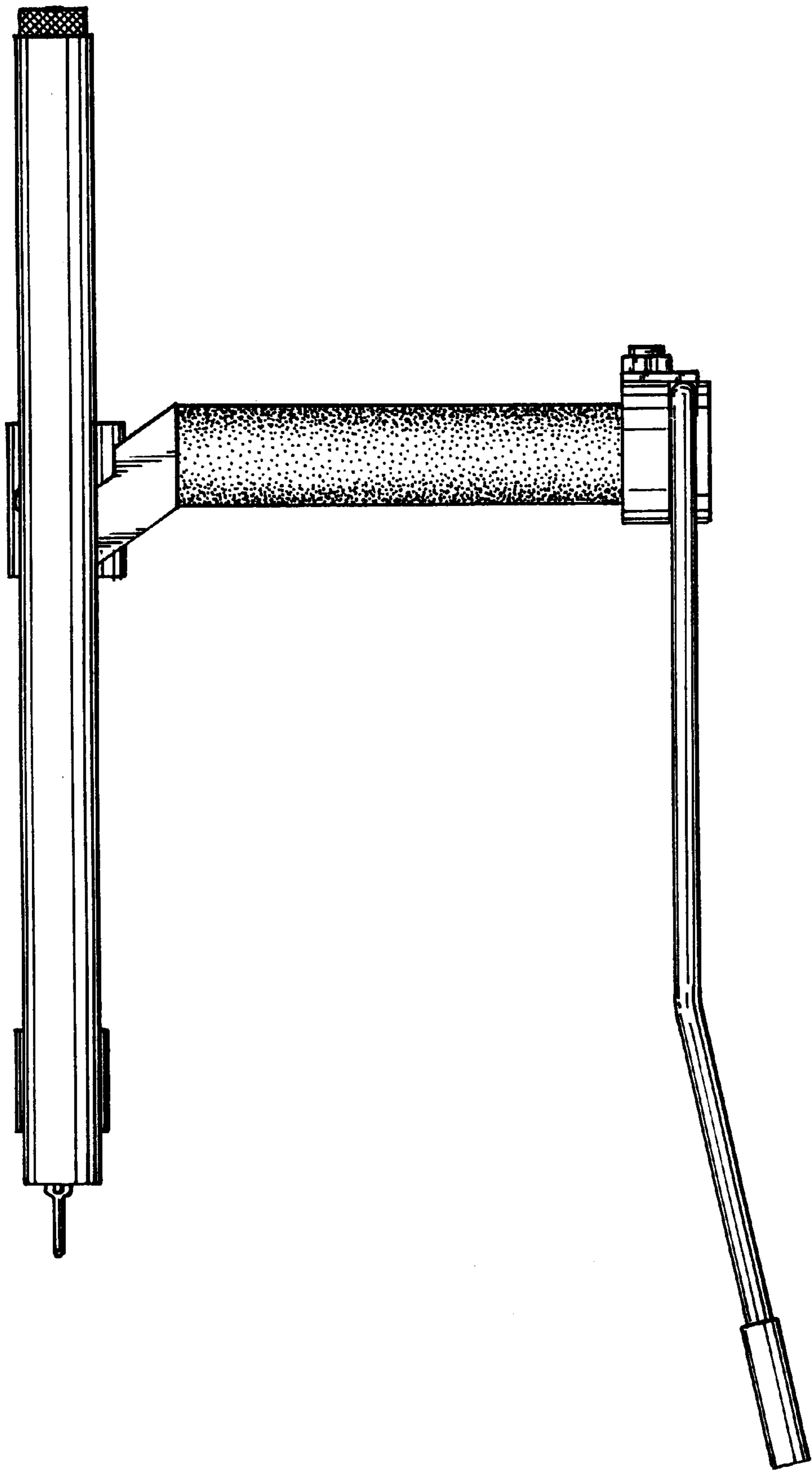


FIG. 7