



US00D488847S

(12) **United States Design Patent**  
**Miller**

(10) **Patent No.:** **US D488,847 S**

(45) **Date of Patent:** **\*\* Apr. 20, 2004**

(54) **GOLF BALL WITH INTEGRATED TRANSMITTER AND LOCATOR DEVICE THEREFOR**

(76) **Inventor:** **William David Miller**, 100 Chestnut P.O. Box 205, Varna, IL (US) 61375

(\*\*) **Term:** **14 Years**

(21) **Appl. No.:** **29/179,803**

(22) **Filed:** **Apr. 15, 2003**

(51) **LOC (7) Cl.** ..... **21-02**

(52) **U.S. Cl.** ..... **D21/789**

(58) **Field of Search** ..... D21/789; 473/353, 473/570; 340/539.32, 384.7, 571

(56) **References Cited**

**U.S. PATENT DOCUMENTS**

5,423,549	A	*	6/1995	Englmeier	.....	473/353
5,820,484	A	*	10/1998	Terry	.....	473/356
D412,860	S	*	8/1999	Maher	.....	D10/104
6,011,466	A	*	1/2000	Goldman	.....	340/539.32
6,620,057	B1	*	9/2003	Pirritano et al.	.....	473/353

\* cited by examiner

*Primary Examiner*—Mitchell Siegel

(57) **CLAIM**

The ornamental design for a golf ball with integrated transmitter and locator device therefor, as shown and described.

**DESCRIPTION**

FIG. 1 is a front elevational view of a golf ball with integrated transmitter and locator device therefor showing my new design;

FIG. 2 is a rear elevational view thereof;

FIG. 3 is a side view, taken from the left side of FIG. 1;

FIG. 4 is a side view, taken from the right side of FIG. 1;

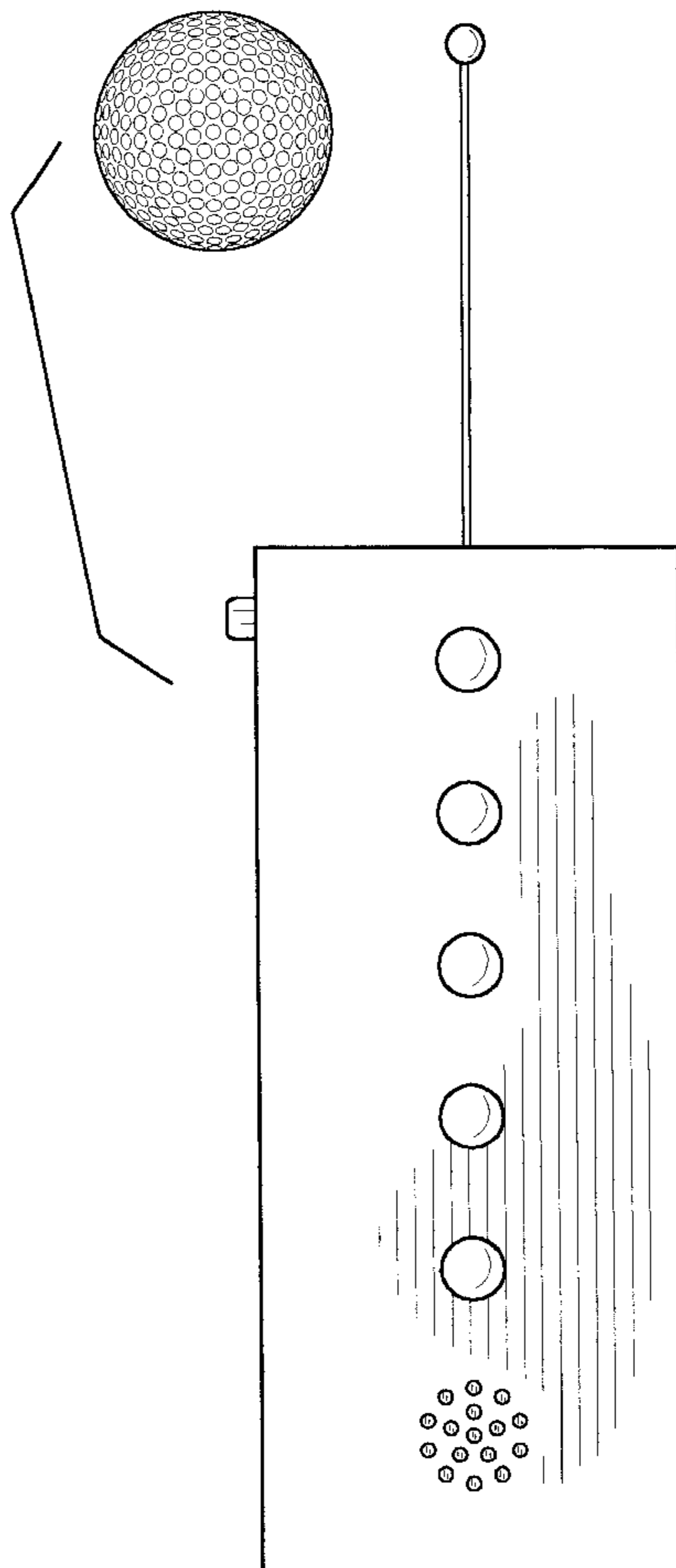
FIG. 5 is a top plan view thereof;

FIG. 6 is a bottom plan view thereof; and,

FIG. 7 is a perspective view thereof.

The dotted lines showing the golf ball core and radiowaves in FIG. 7 are for illustrative purposes only and form no part of my design.

**1 Claim, 4 Drawing Sheets**



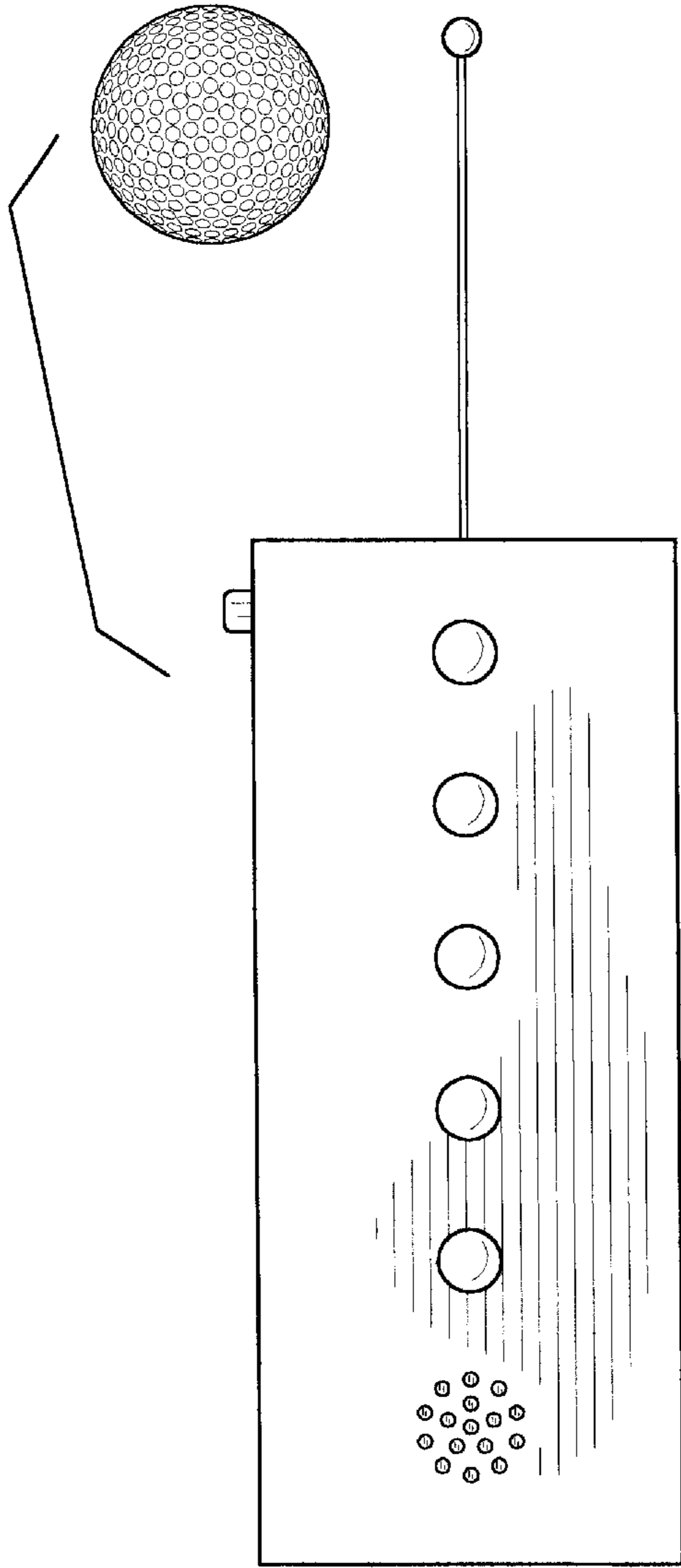


FIG. 1

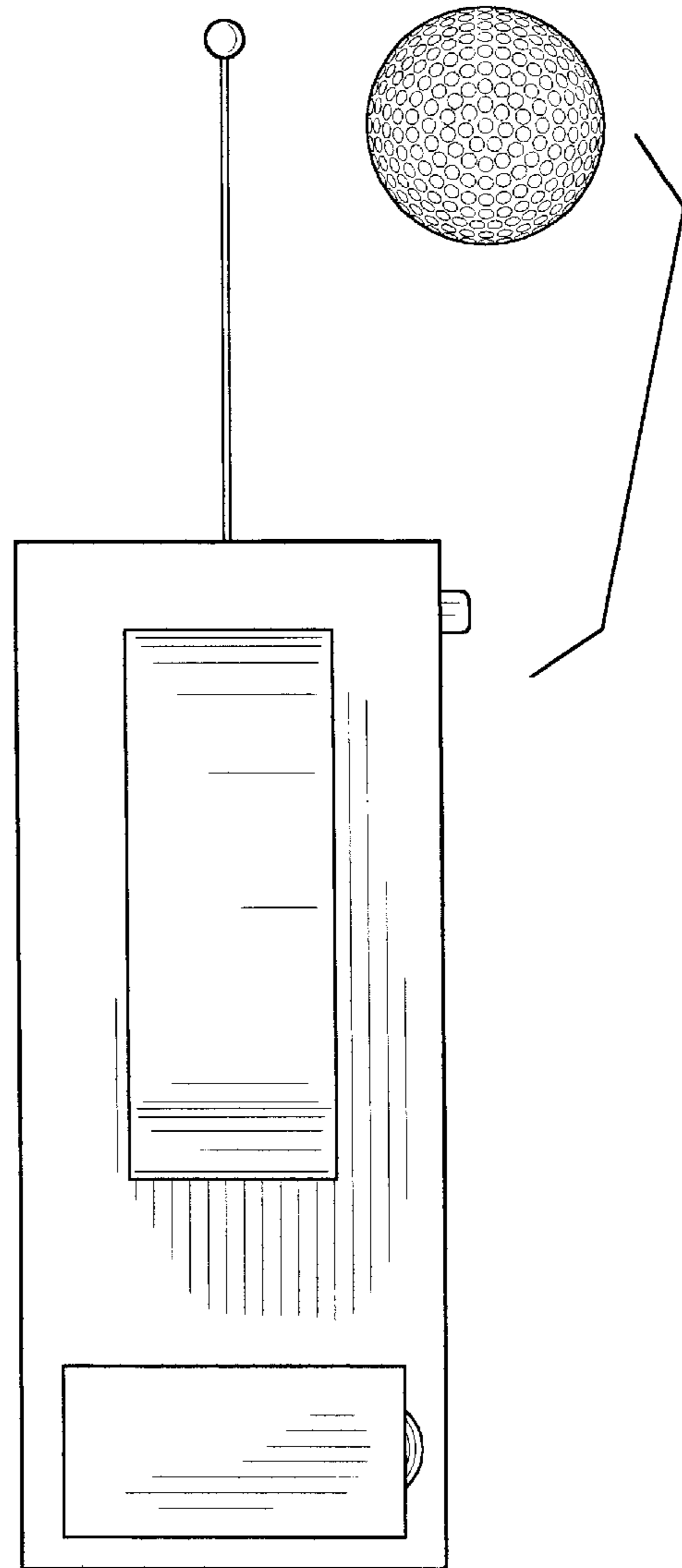


FIG. 2

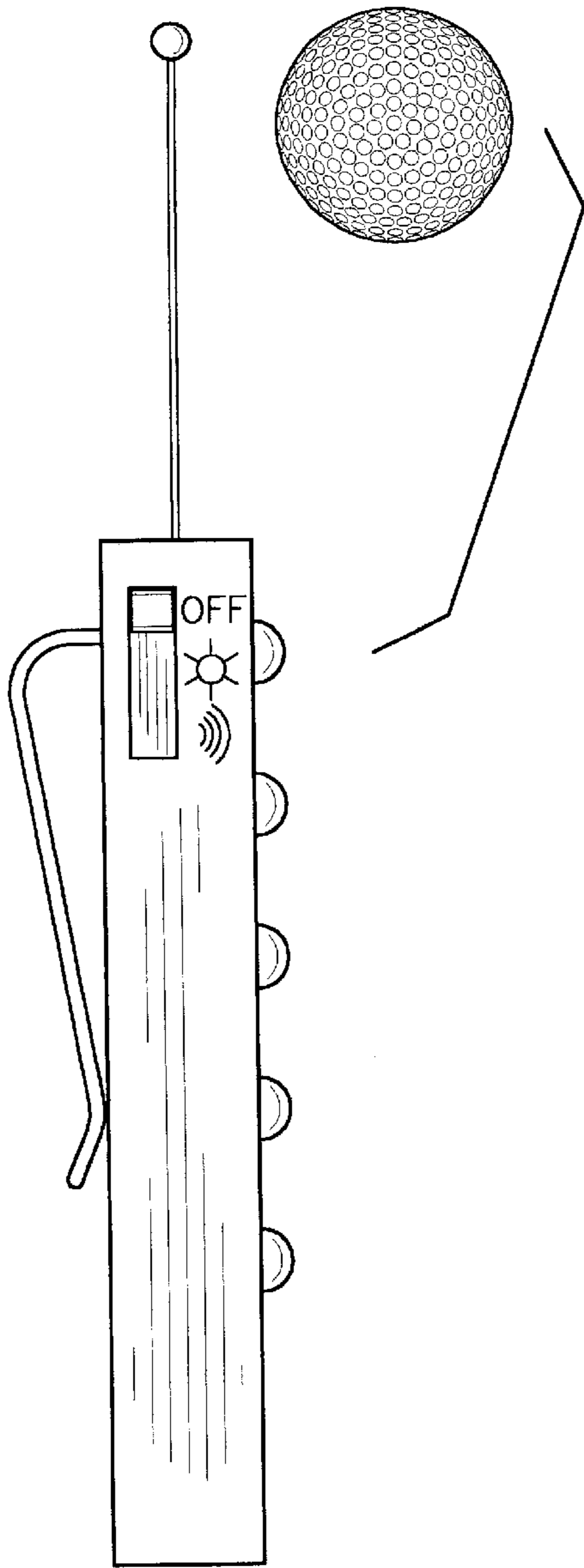


FIG. 3

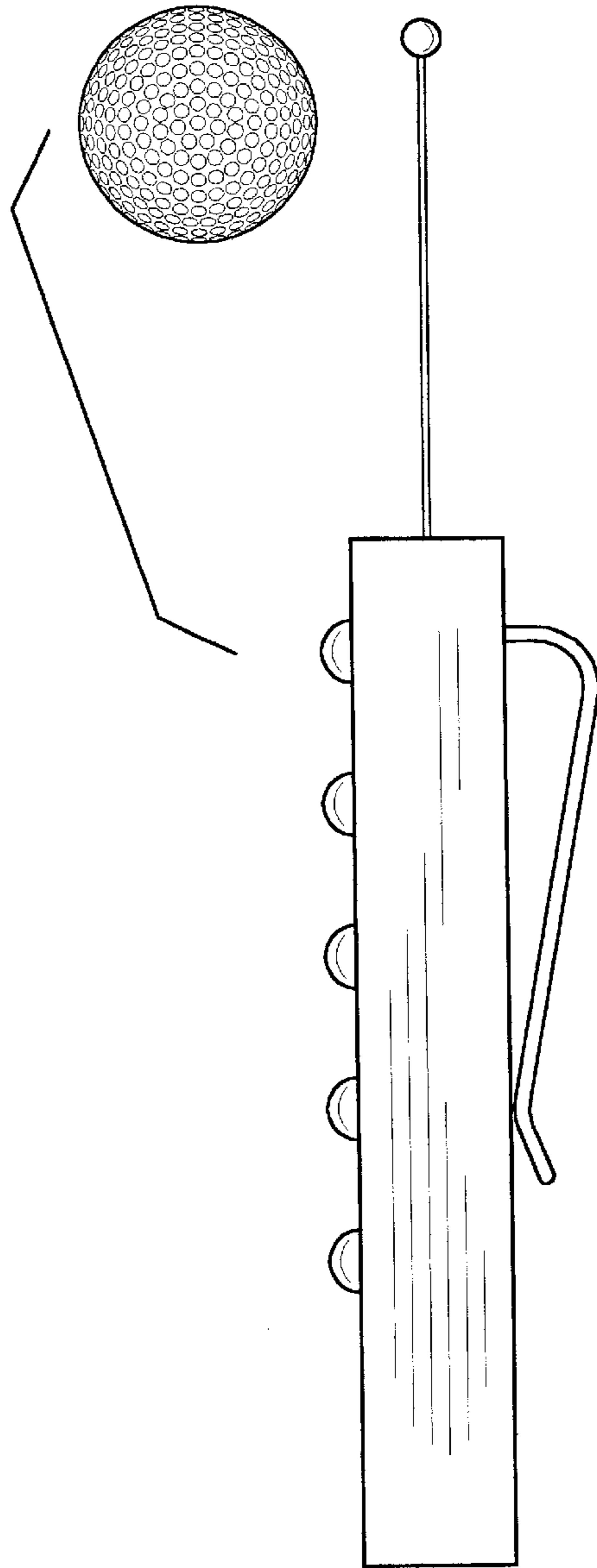


FIG. 4

FIG. 5

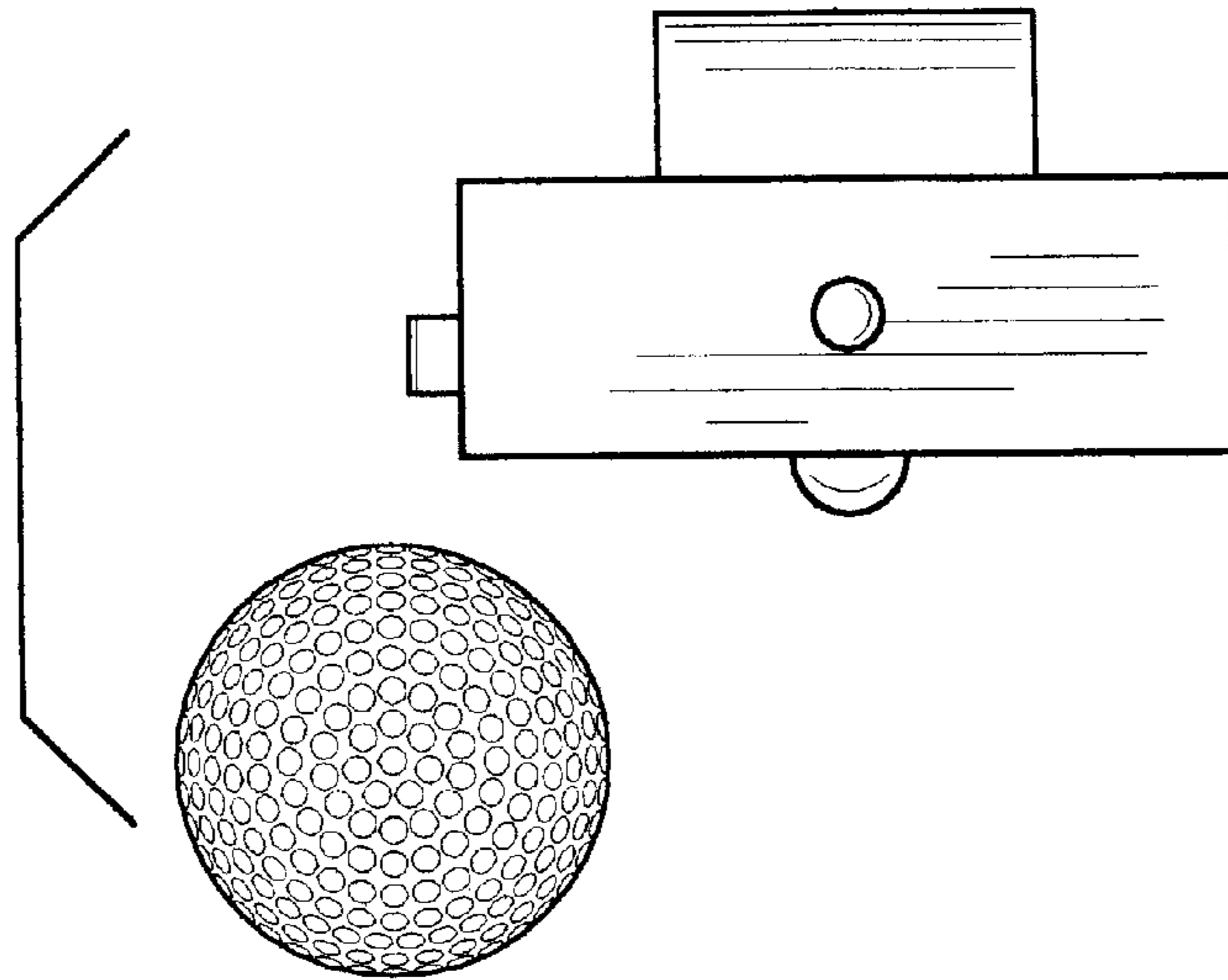
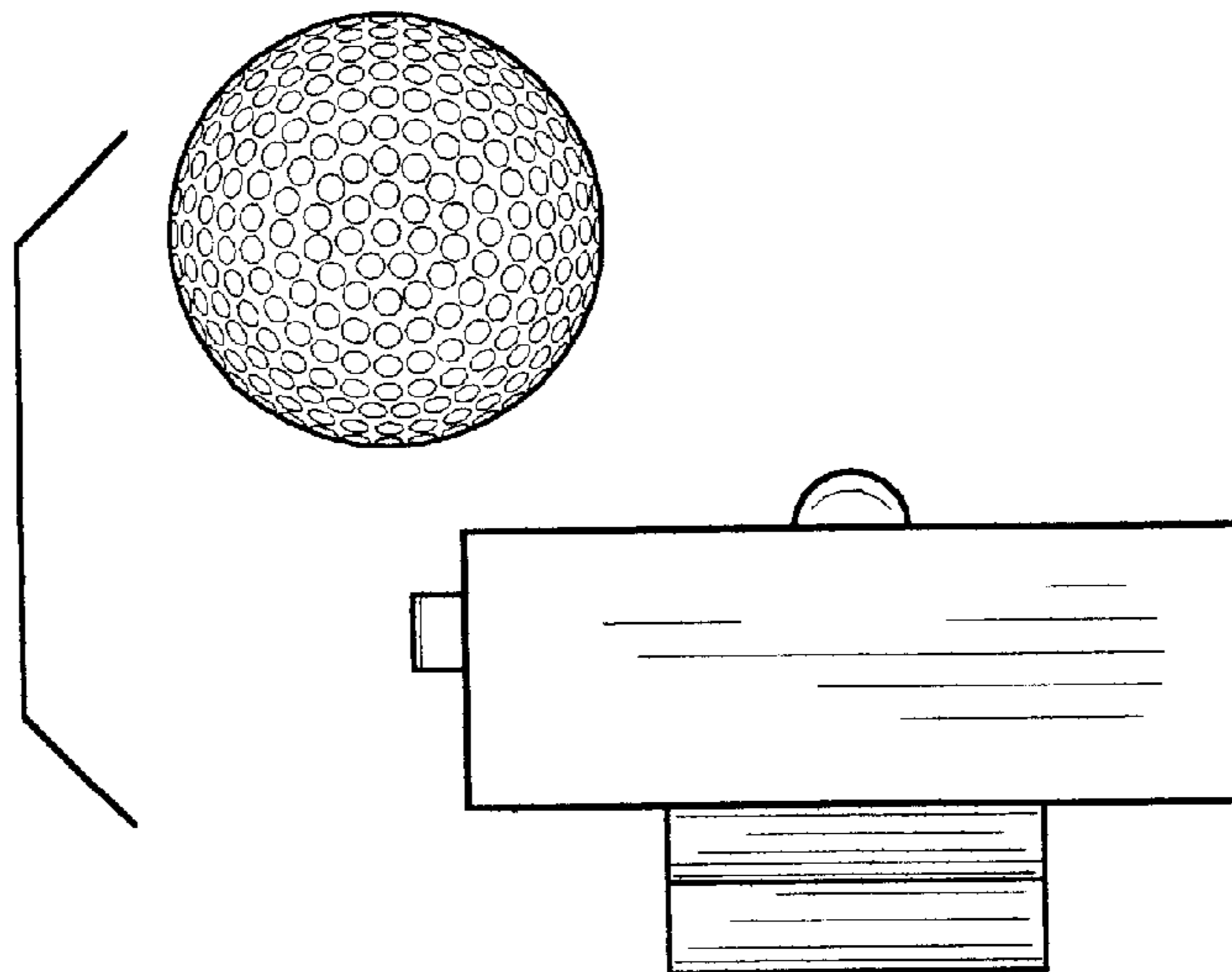


FIG. 6



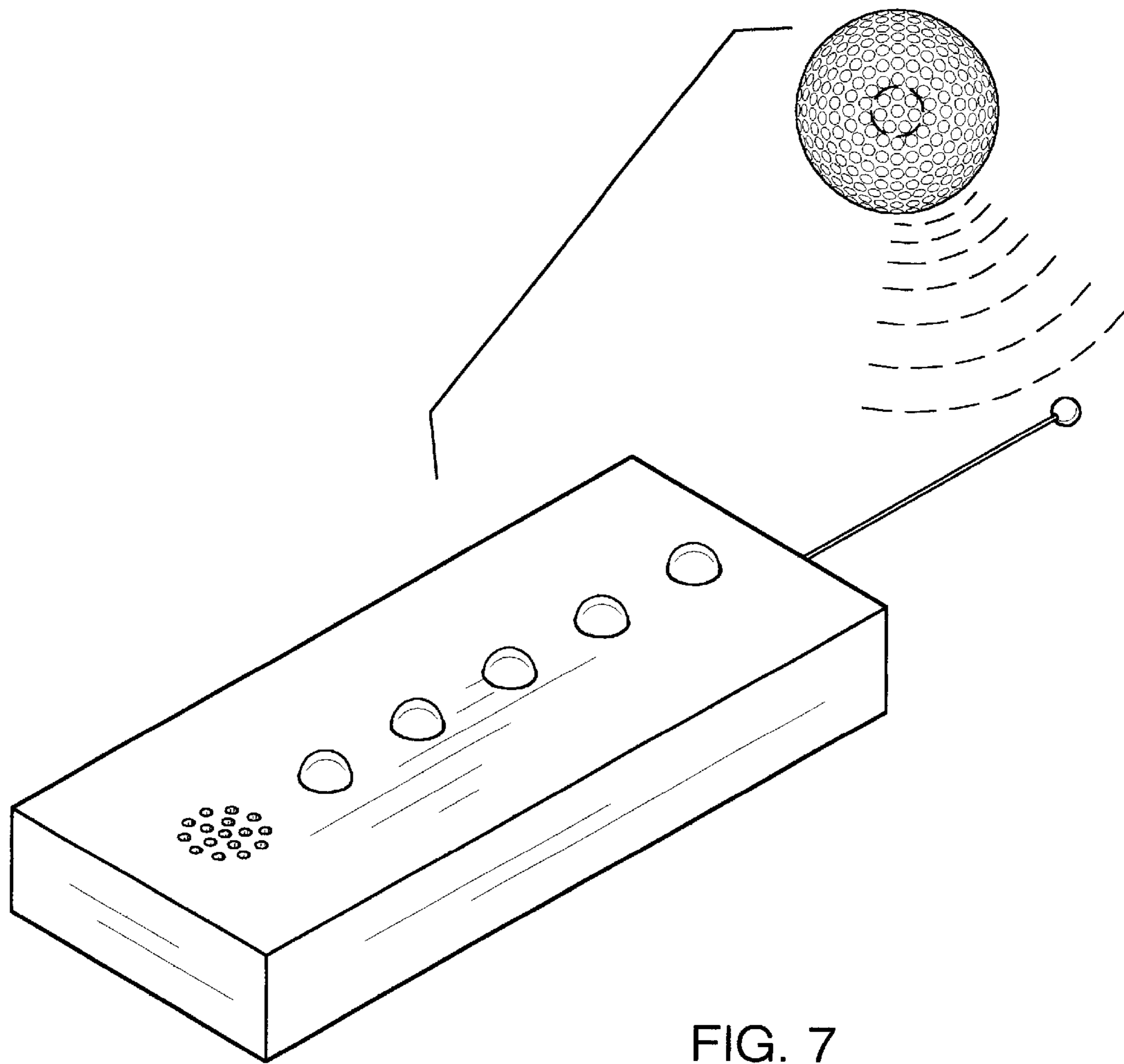


FIG. 7