



US00D488834S

(12) **United States Design Patent**  
**Mandel et al.**

(10) **Patent No.:** **US D488,834 S**

(45) **Date of Patent:** **\*\* Apr. 20, 2004**

(54) **DIMENSION CLIP**

(75) Inventors: **Logan Flash Mandel**, Los Angeles, CA (US); **Won Jung**, Los Angeles, CA (US)

(73) Assignee: **GMPC**, Santa Monica, CA (US)

(\*\*) Term: **14 Years**

(21) Appl. No.: **29/183,461**

(22) Filed: **Jun. 12, 2003**

(51) **LOC (7) Cl.** ..... **19-02**

(52) **U.S. Cl.** ..... **D19/65; D19/90; D8/395**

(58) **Field of Search** ..... **D8/394, 395; D19/65, D19/34, 75, 21, 78, 86, 88, 99, 100, 90; 24/67 R, 67.1-67.11, 489, 501, 507, 510, 545-549, 562, 563; 248/441.1, 442.2, 451, 452**

(56) **References Cited**

**U.S. PATENT DOCUMENTS**

- D186,370 S \* 10/1959 Russell ..... D19/65 X
- D201,230 S \* 5/1965 McFadyen ..... D19/88
- D204,337 S \* 4/1966 Smith ..... D19/21

- 5,774,946 A \* 7/1998 Morgan ..... 24/67.5
- D412,343 S \* 7/1999 Offenauer ..... D19/65
- D477,213 S \* 7/2003 Jones et al. .... D8/395

\* cited by examiner

*Primary Examiner*—Martie K. Holtje

(74) *Attorney, Agent, or Firm*—Christie, Parker & Hale, LLP

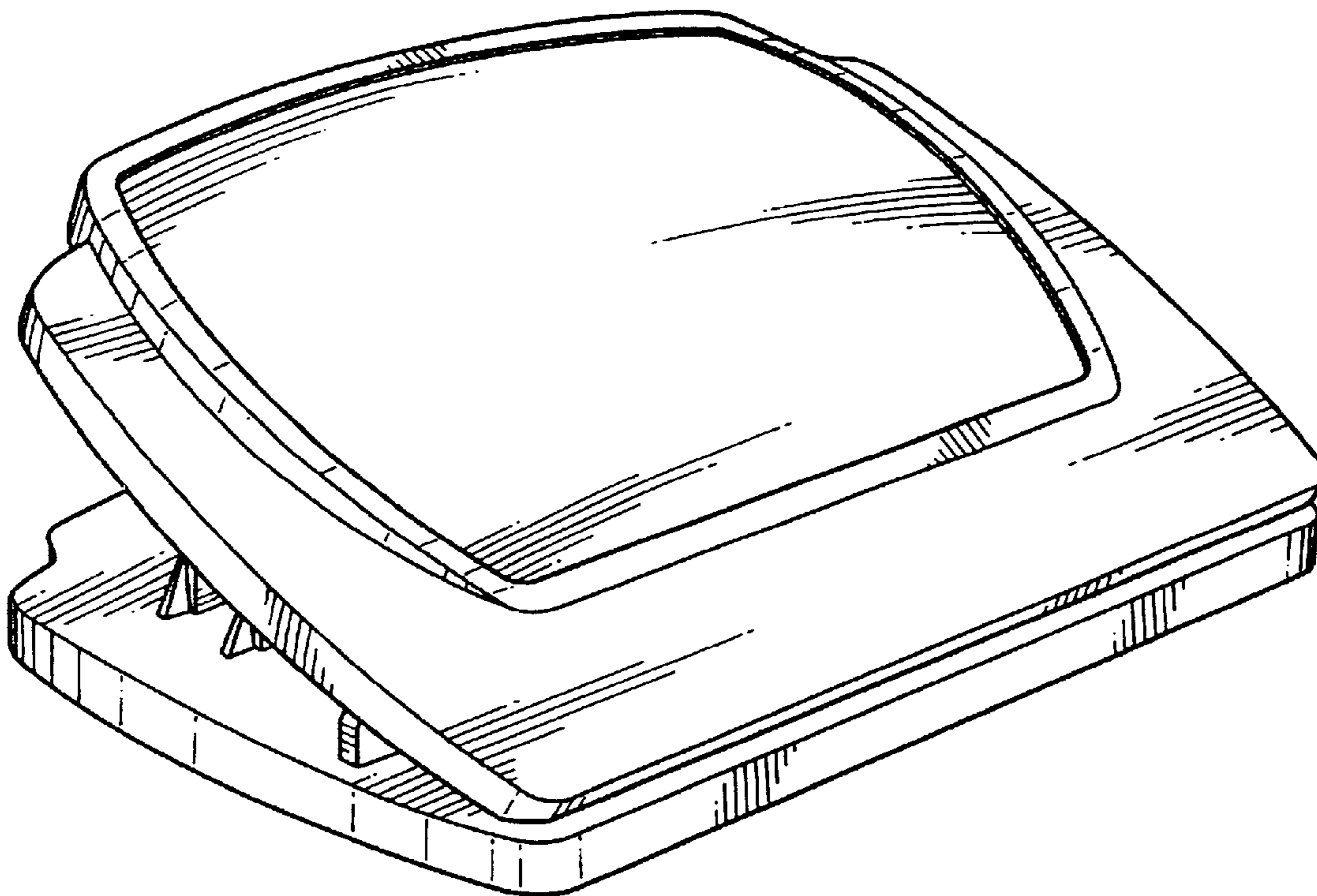
(57) **CLAIM**

The ornamental design for dimension clip, as shown and described.

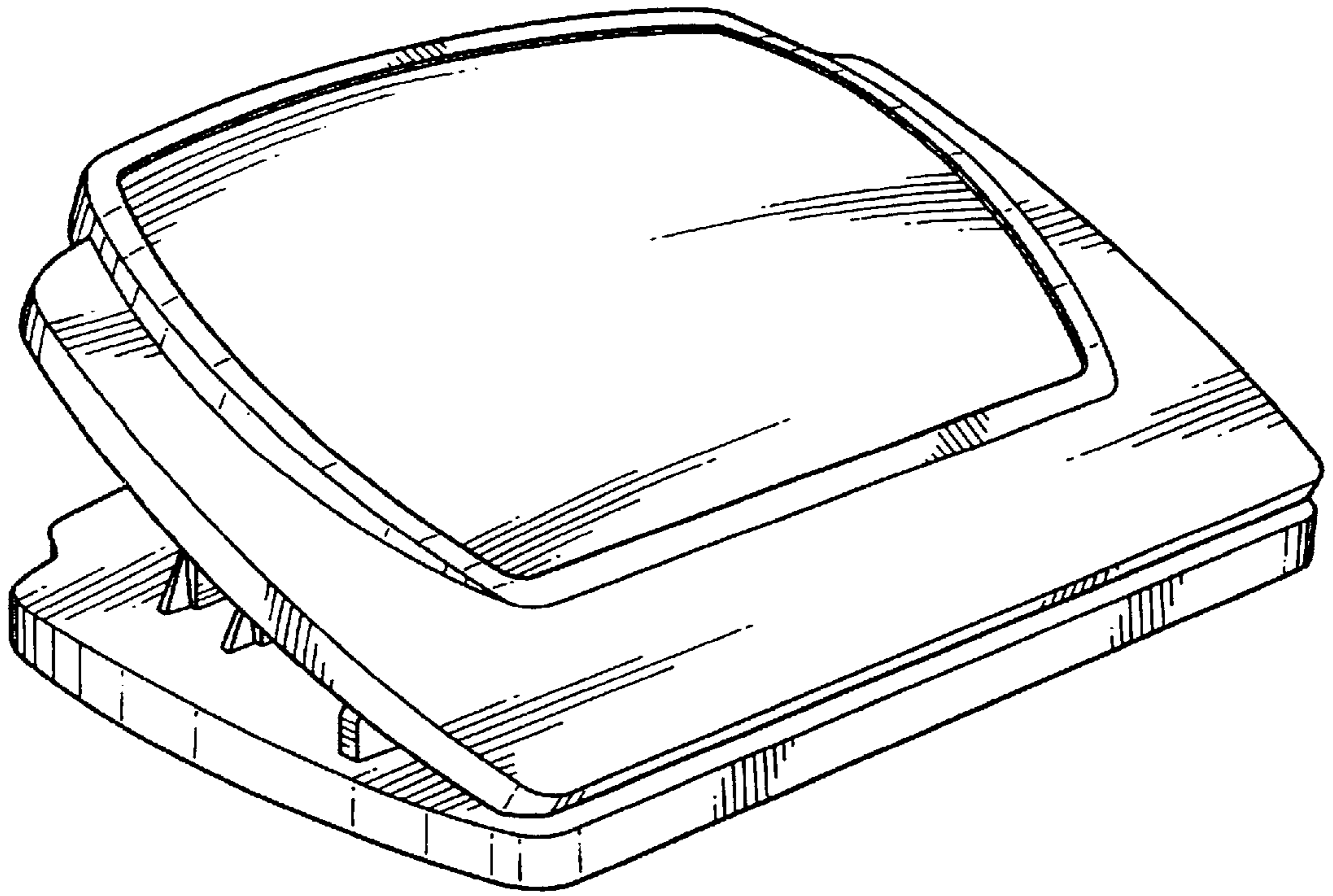
**DESCRIPTION**

FIG. 1 is a front top left perspective view of the dimension clip of the invention.  
 FIG. 2 is a rear view of the dimension clip of FIG. 1.  
 FIG. 3 is a top plan view of the dimension clip of FIG. 1.  
 FIG. 4 is a front view of the dimension clip of FIG. 1.  
 FIG. 5 is a right side view of the dimension clip of FIG. 1.  
 FIG. 6 is a left side view of the dimension clip of FIG. 1; and,  
 FIG. 7 is a bottom plan view of the dimension clip of FIG. 1.

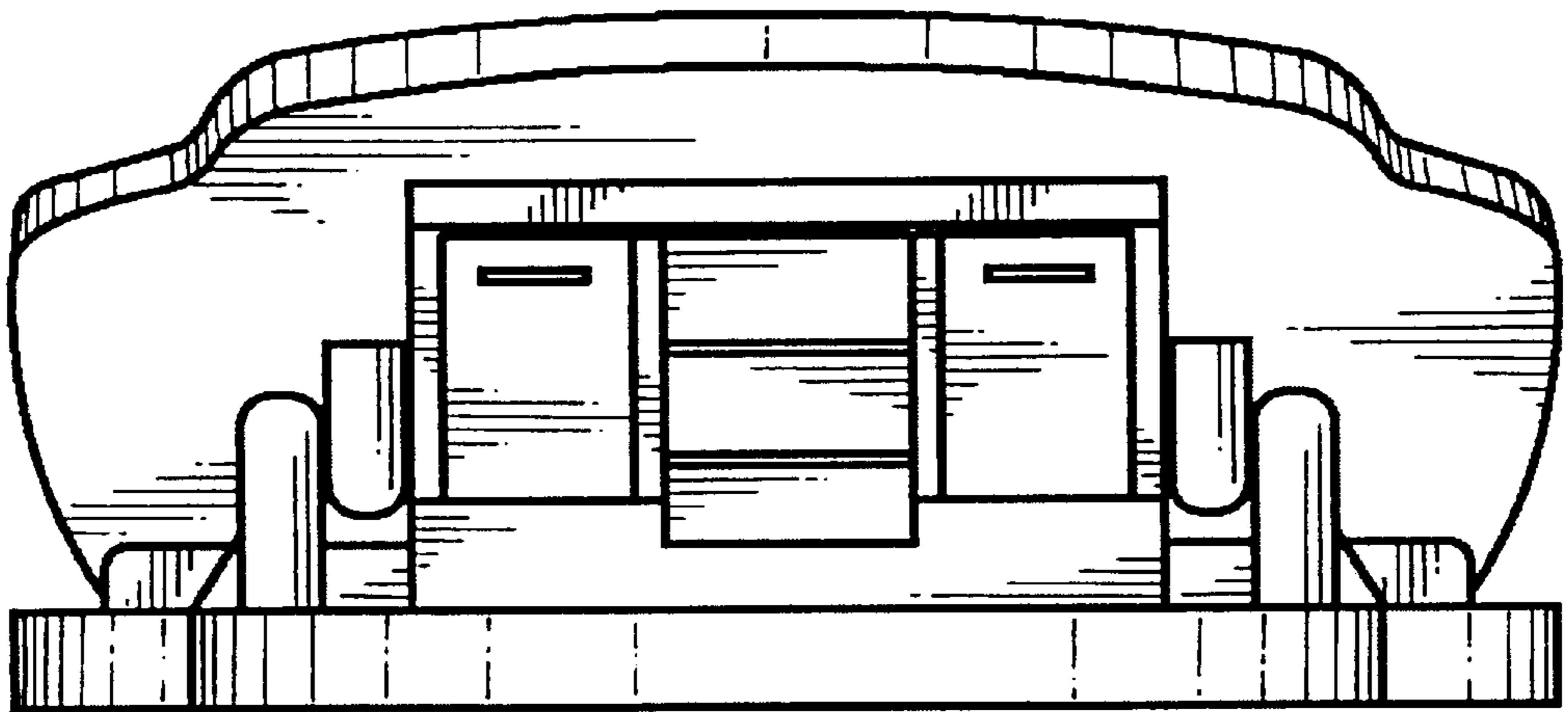
**1 Claim, 4 Drawing Sheets**



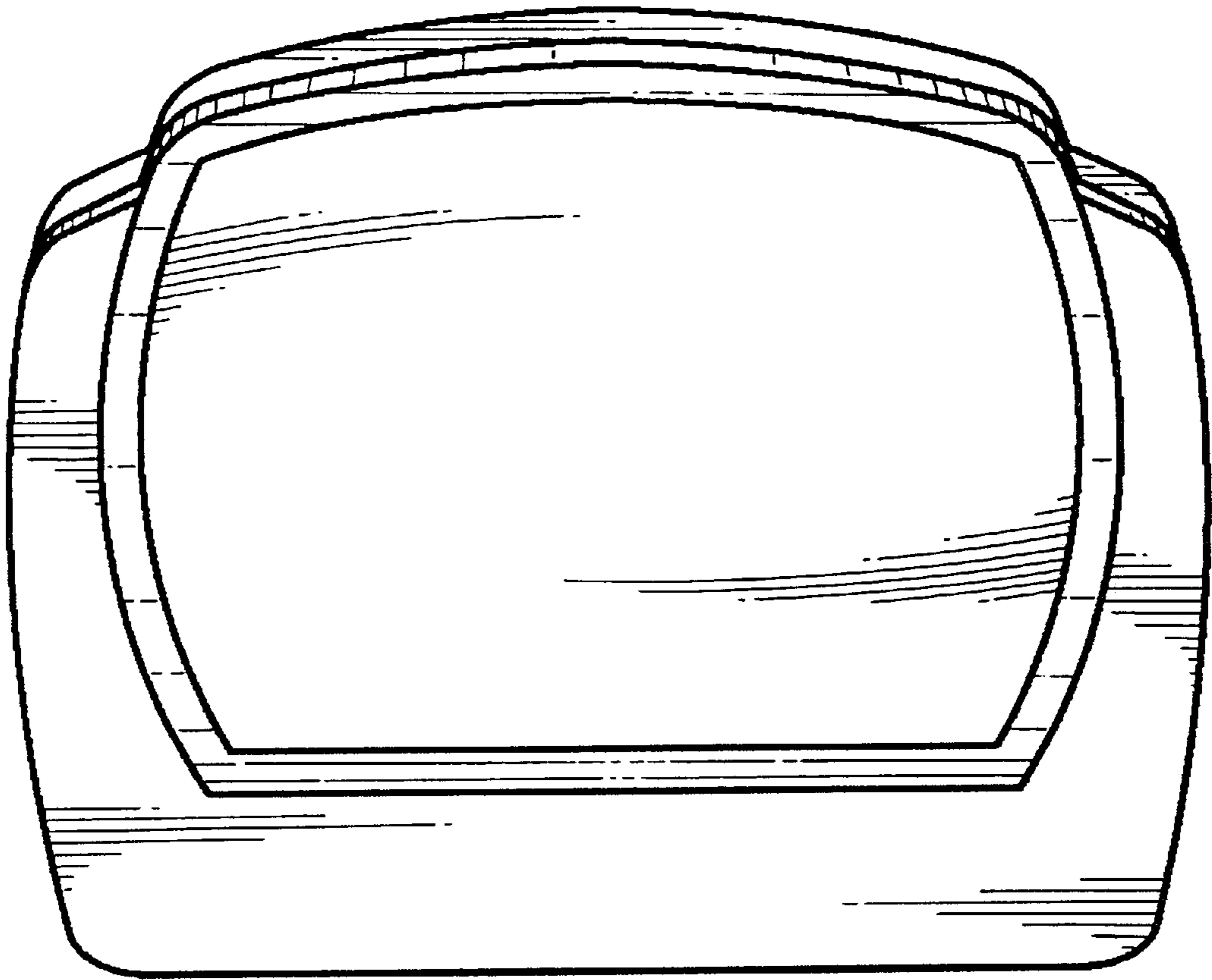
*FIG. 1*



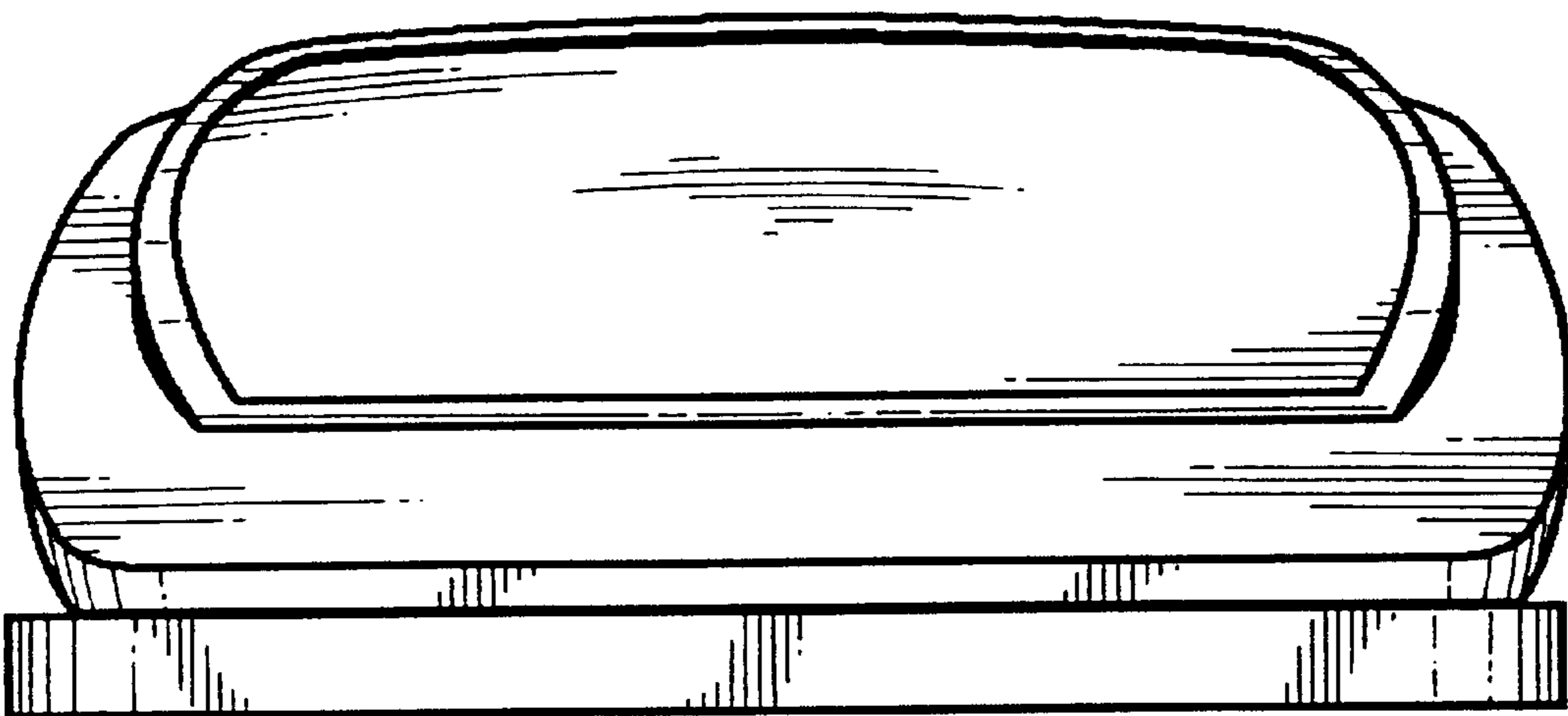
*FIG. 2*

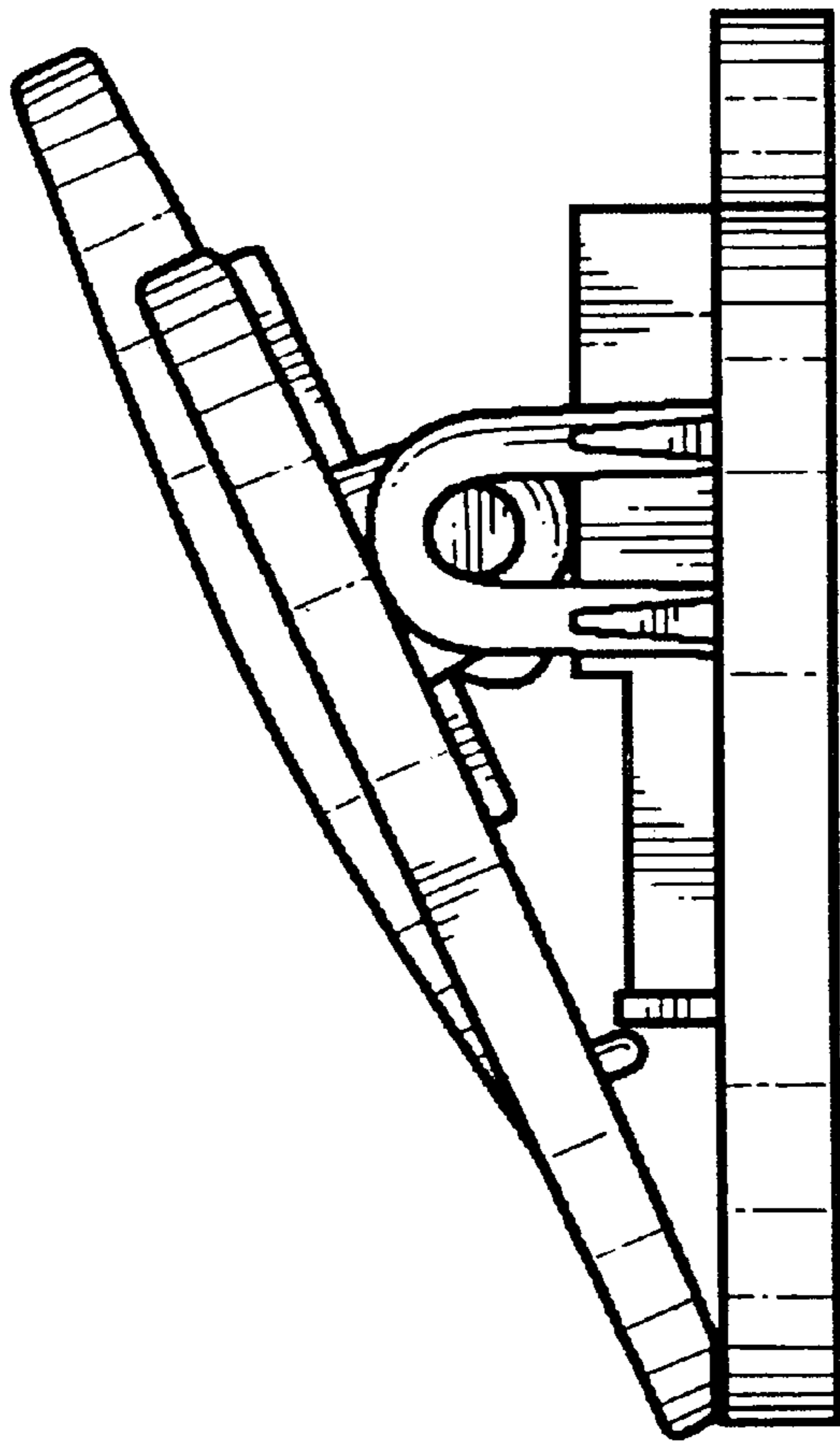


*FIG. 3*

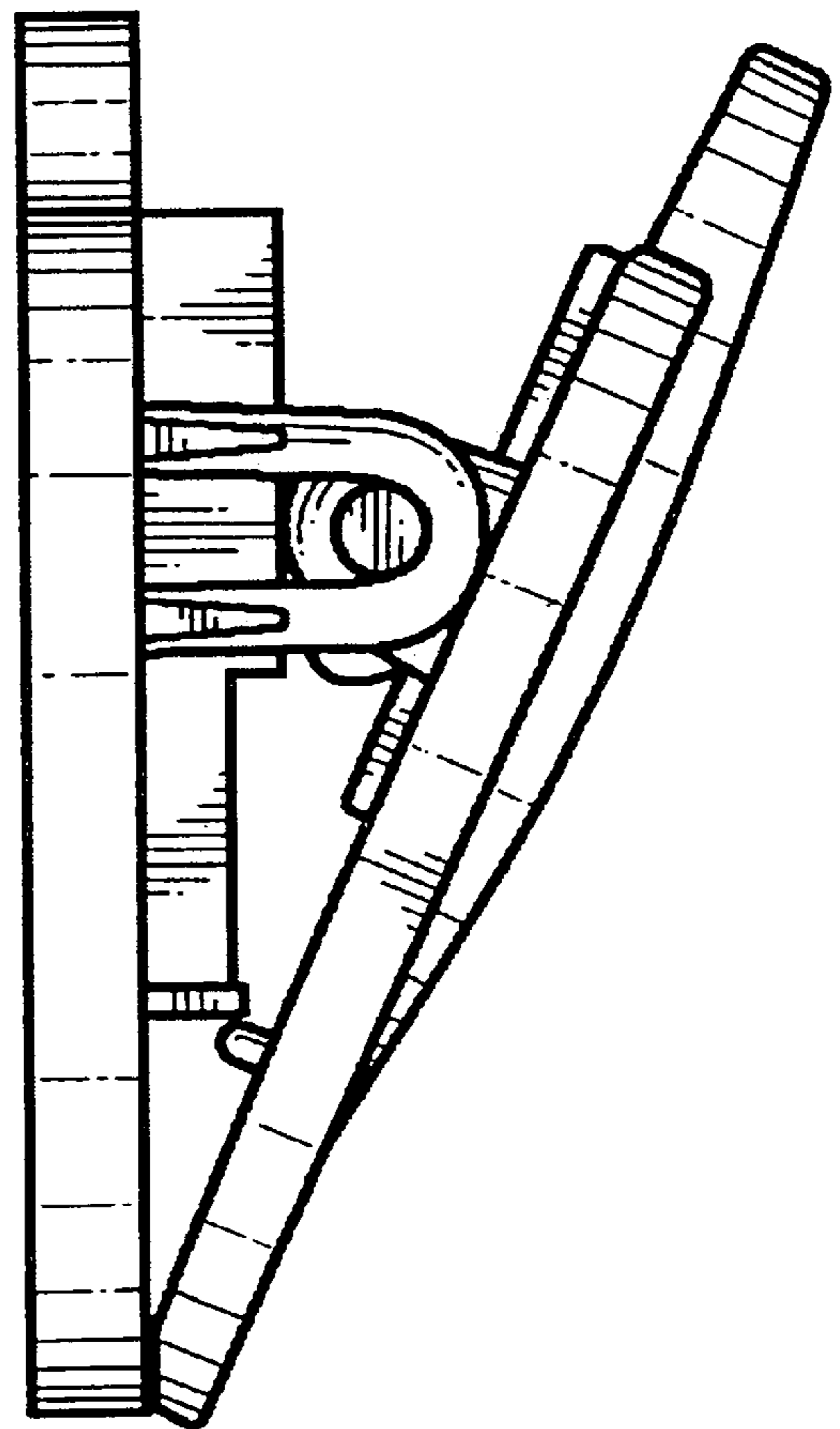


*FIG. 4*





*FIG. 5*



*FIG. 6*

FIG. 7

