



US00D488828S

(12) **United States Design Patent**
Adachi et al.

(10) **Patent No.:** **US D488,828 S**

(45) **Date of Patent:** **** Apr. 20, 2004**

(54) **IMAGE PICKUP APPARATUS**

(75) Inventors: **Tomoyuki Adachi**, Konan (JP); **Tetsuro Kato**, Nagoya (JP)

(73) Assignee: **Elmo Co., Ltd.**, Nagoya (JP)

(**) Term: **14 Years**

(21) Appl. No.: **29/157,493**

(22) Filed: **Mar. 19, 2002**

(30) **Foreign Application Priority Data**

Sep. 21, 2001 (JP) 2001-031754

(51) **LOC (7) Cl.** **16-02**

(52) **U.S. Cl.** **D16/232; D14/423**

(58) **Field of Search** D14/423; D16/221,
D16/225, 229, 232; 348/373-376; 353/119,
122, DIG. 3, DIG. 4

(56) **References Cited**

U.S. PATENT DOCUMENTS

- D323,819 S * 2/1992 Imura D14/423
- D387,038 S * 12/1997 Sakuta et al. D14/423
- D422,571 S * 4/2000 Sakata et al. D14/423

- D423,472 S * 4/2000 Adachi D14/423
- D424,091 S * 5/2000 Oh D16/232
- 6,317,155 B1 * 11/2001 Ohyama 348/373

OTHER PUBLICATIONS

Elmo Catalog, Feb. 2000 (EV-701AF projector).*

* cited by examiner

Primary Examiner—Adir Aronovich

(74) *Attorney, Agent, or Firm*—Koda & Androlia

(57) **CLAIM**

The ornamental design for an image pickup apparatus, as shown and described.

DESCRIPTION

FIG. 1 is a front elevational view of an image pickup apparatus showing our new design;
 FIG. 2 is a rear elevational view thereof;
 FIG. 3 is a top plan view thereof;
 FIG. 4 is a bottom plan view thereof;
 FIG. 5 is a right side elevational view thereof;
 FIG. 6 is a left side elevational view thereof; and,
 FIG. 7 is a perspective view taken from the front, top and left sides of the image pickup apparatus.

1 Claim, 7 Drawing Sheets

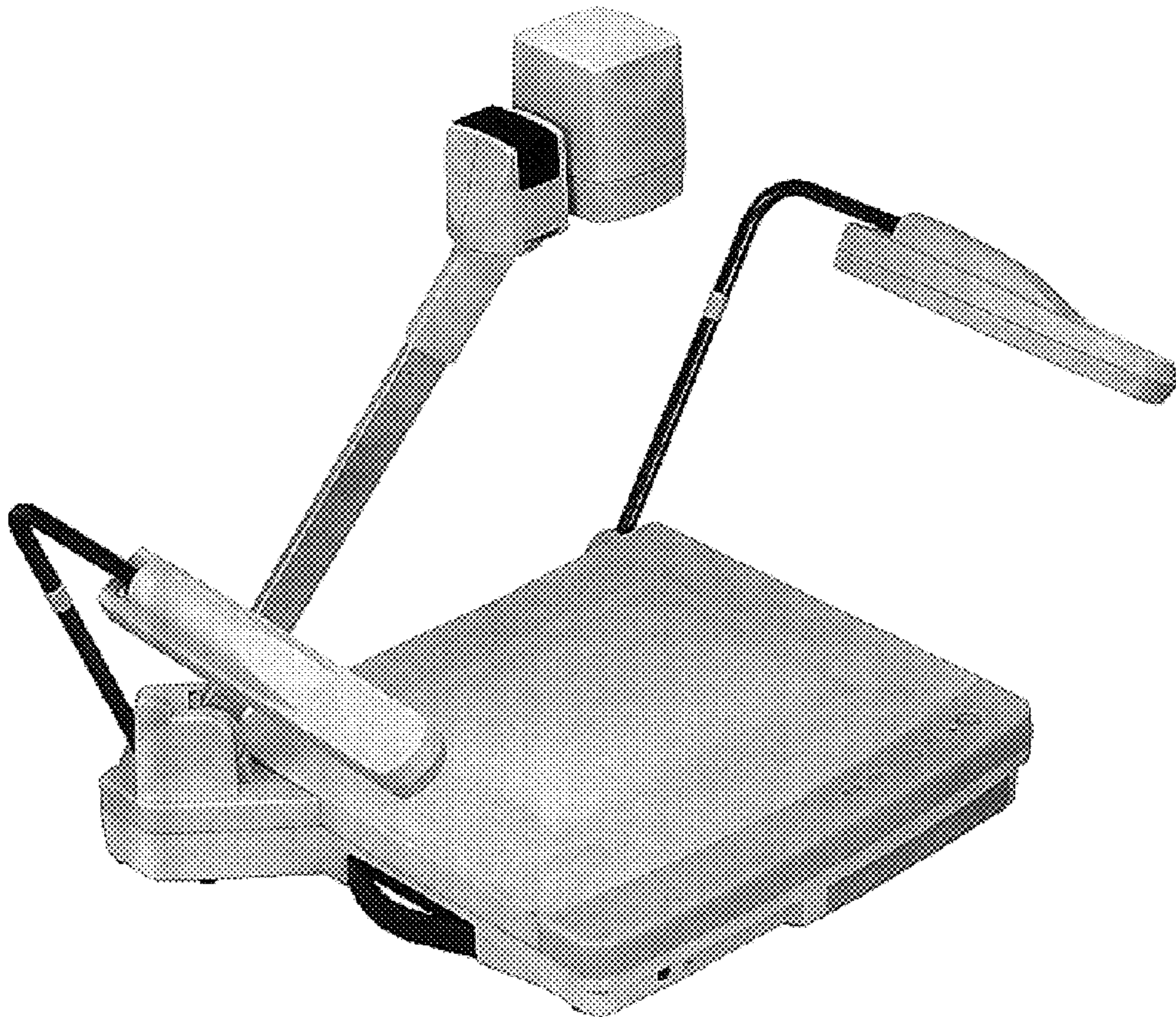


Fig. 1

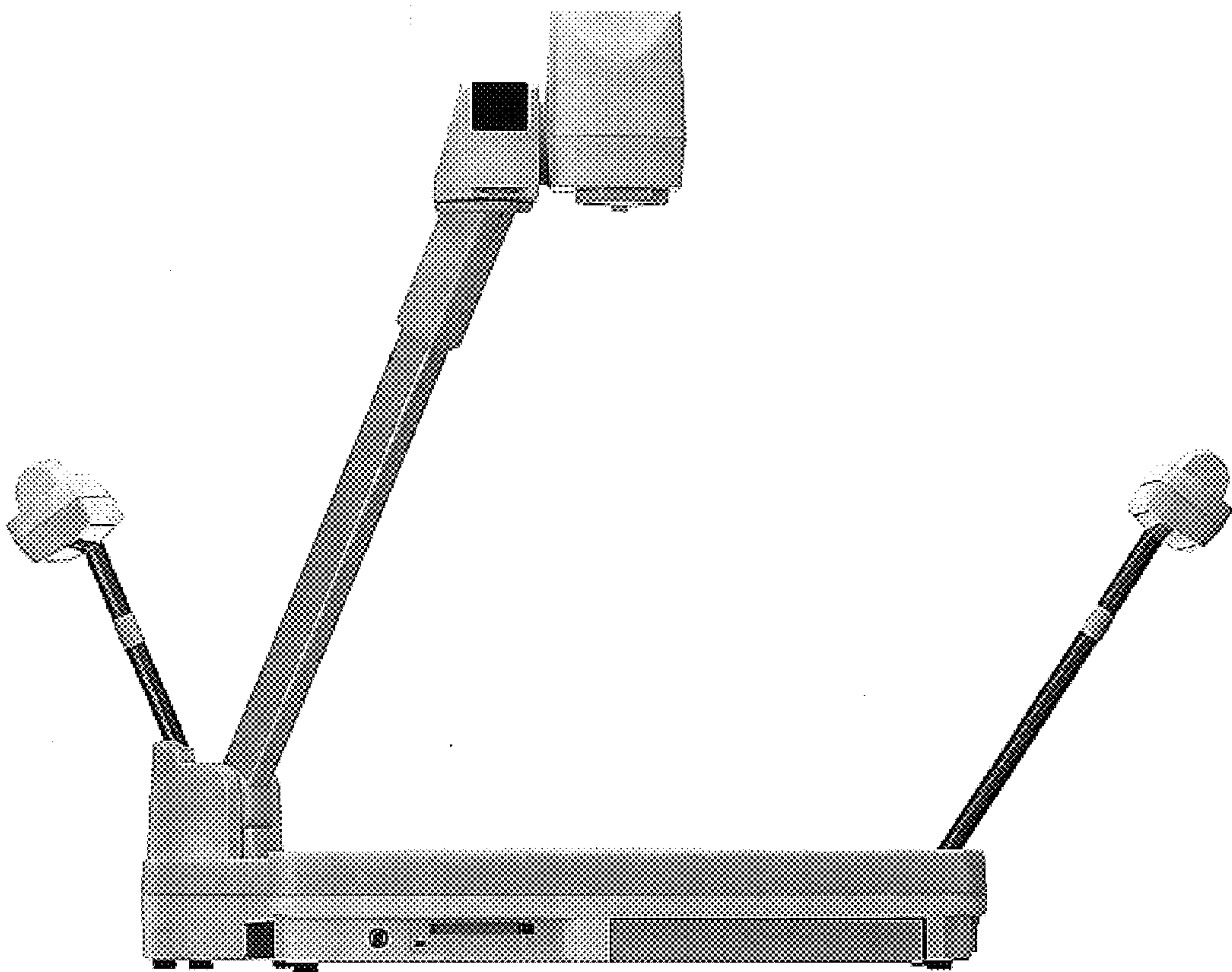


Fig. 2

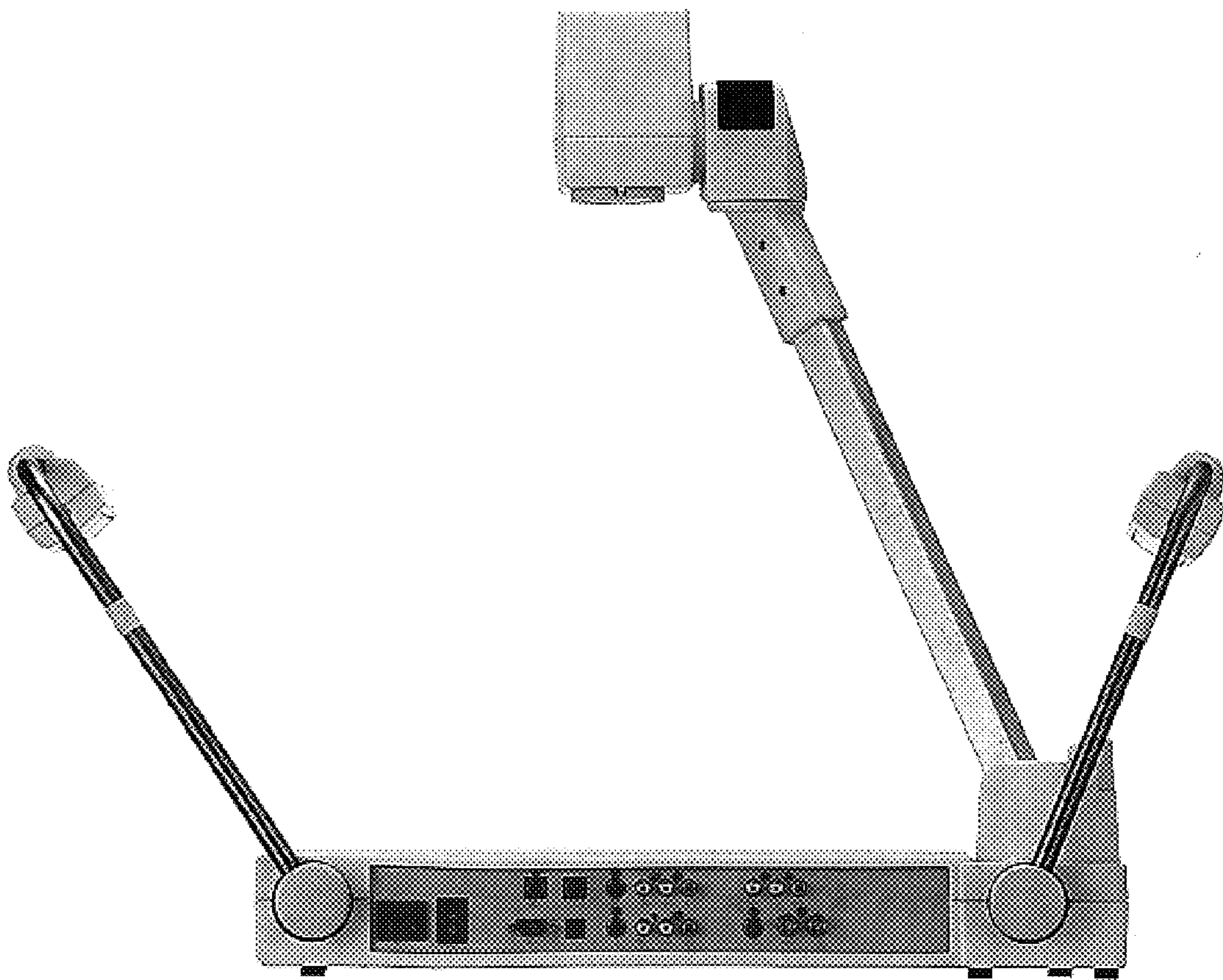


Fig. 3

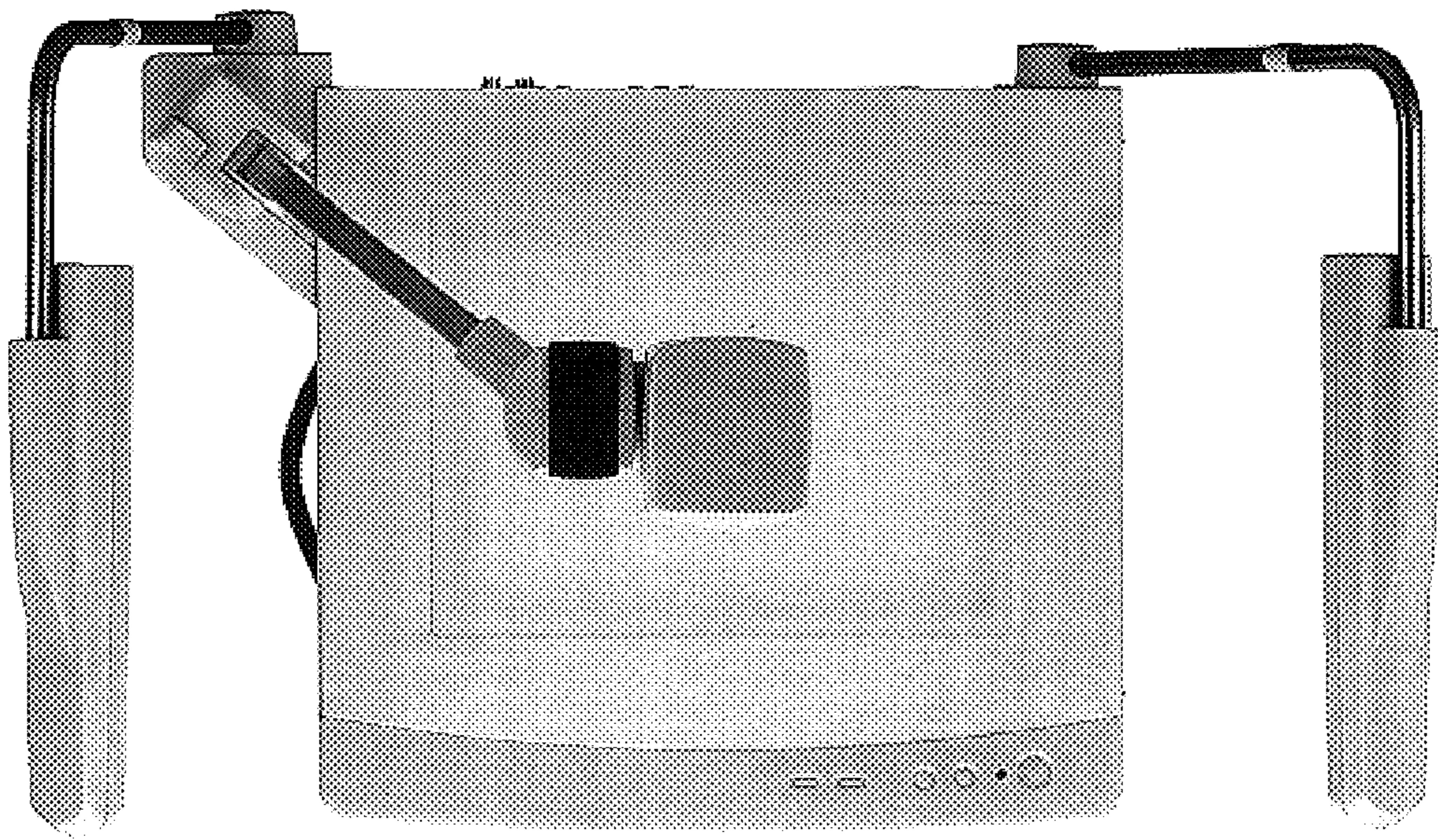


Fig. 4

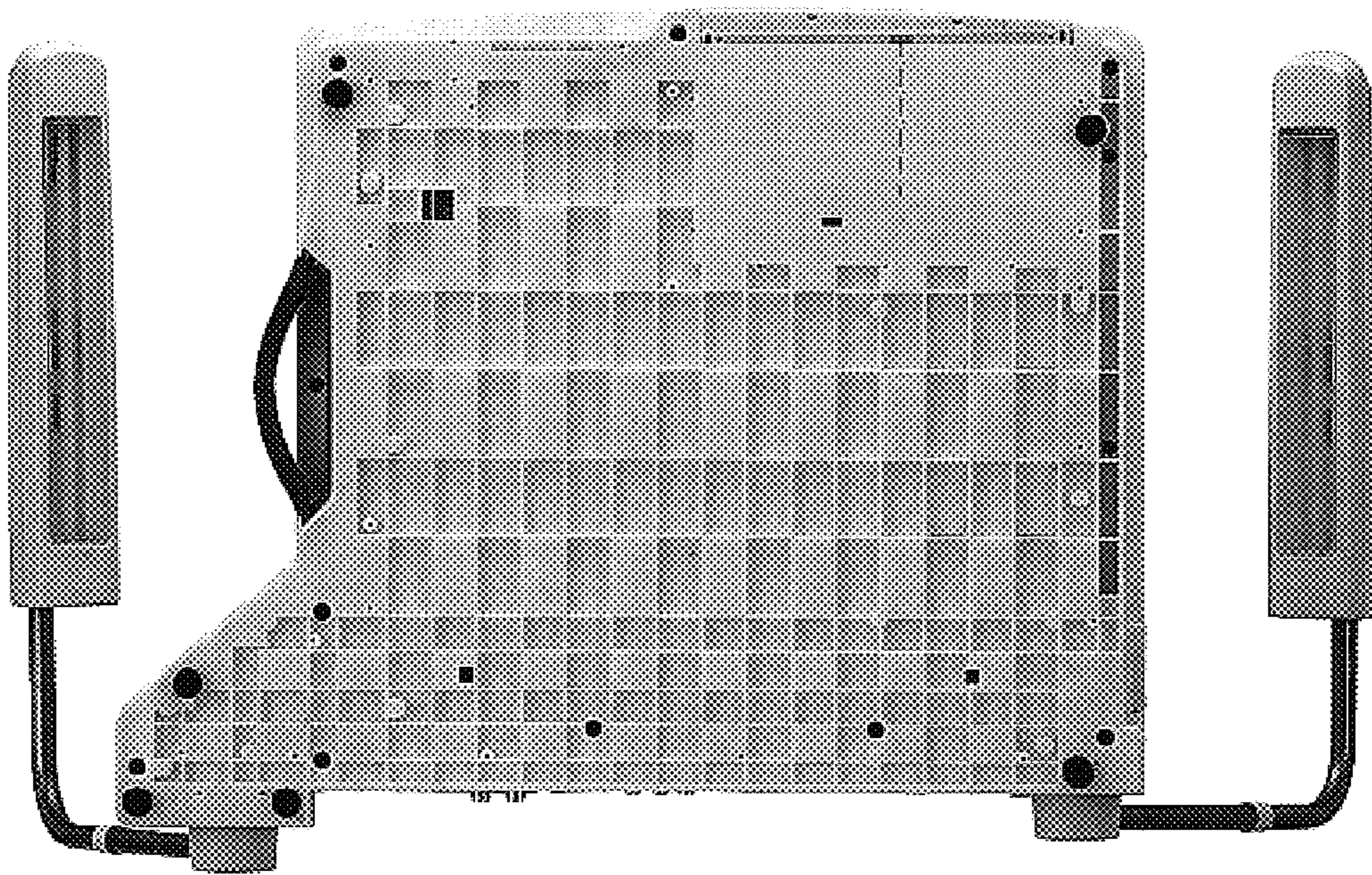


Fig. 5

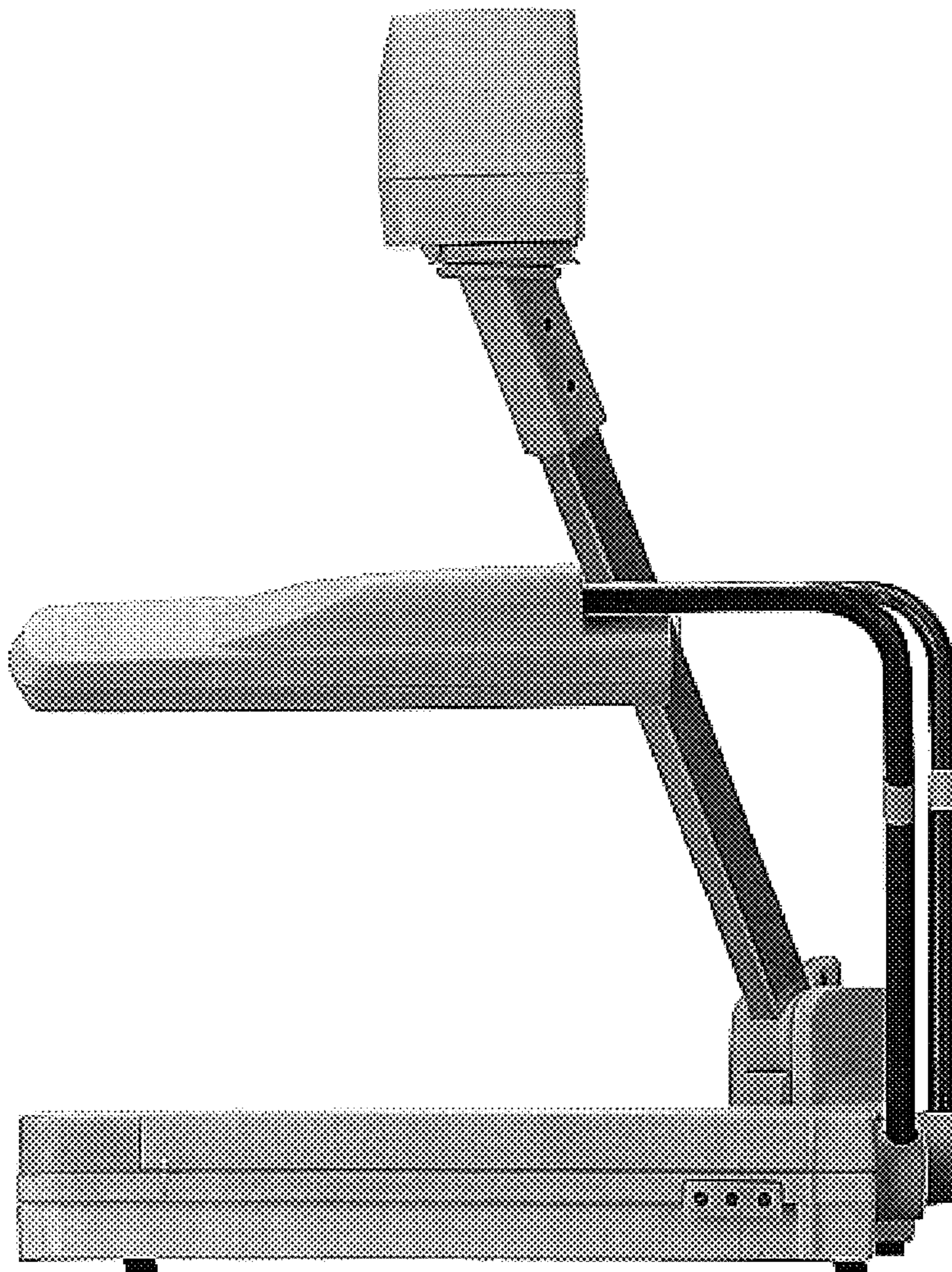


Fig. 6

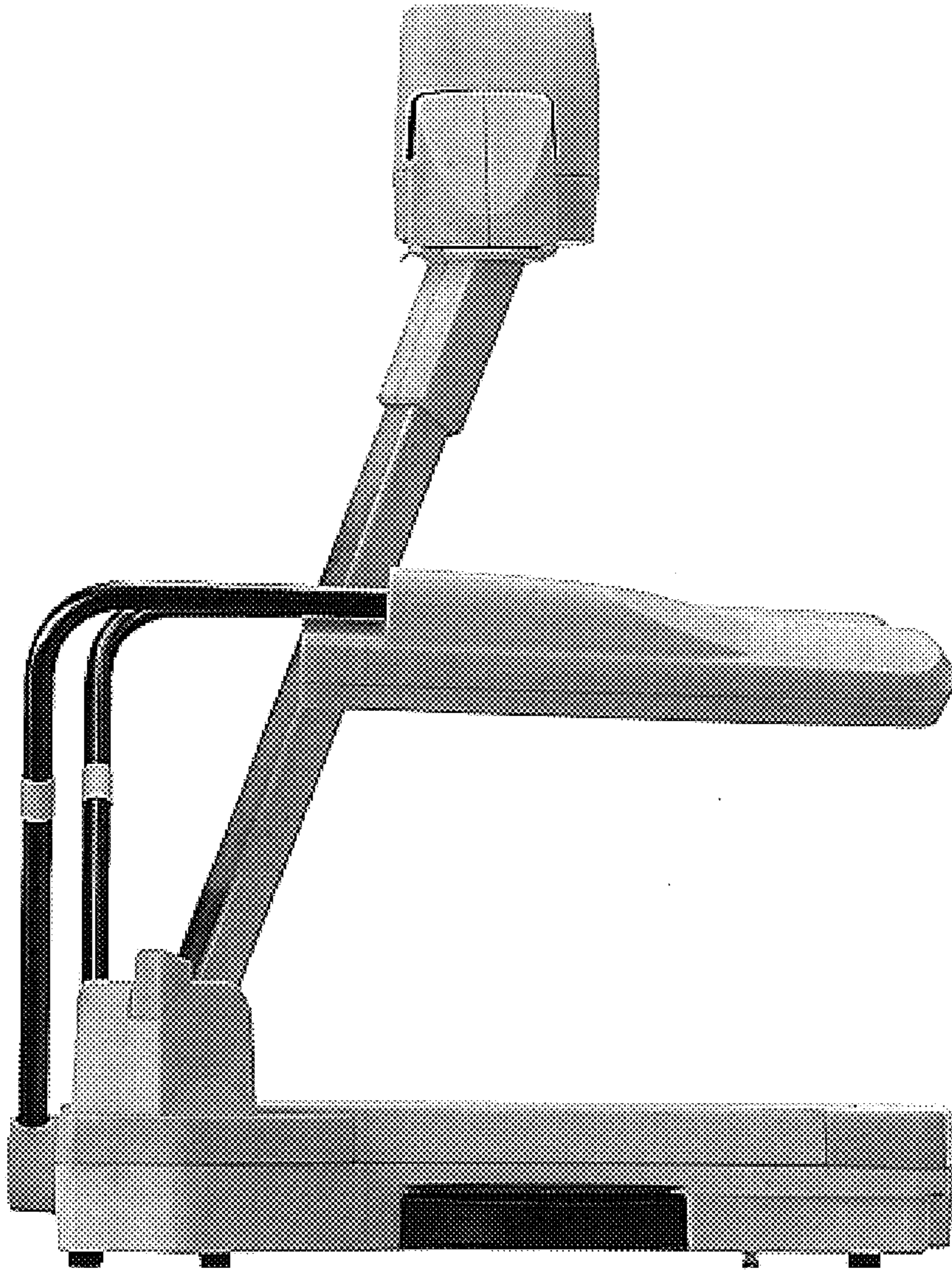


Fig. 7

