



US00D48826S

(12) **United States Design Patent**  
**Zernov**

(10) **Patent No.:** **US D488,826 S**

(45) **Date of Patent:** **\*\* Apr. 20, 2004**

(54) **VIEWING MONITOR**

(75) Inventor: **Jeffrey P. Zernov**, Baxter, MN (US)

(73) Assignee: **Nature Vision, Inc.**, Brainerd, MN (US)

(\*\*) Term: **14 Years**

(21) Appl. No.: **29/165,881**

(22) Filed: **Aug. 19, 2002**

(51) **LOC (7) Cl.** ..... **16-01**

(52) **U.S. Cl.** ..... **D16/204**

(58) **Field of Search** ..... **D16/200-205,**  
**D16/208; 348/143, 373, 374-376; 396/25-29,**  
**535-541**

(56) **References Cited**

**U.S. PATENT DOCUMENTS**

D187,248 S	*	2/1960	Sampson	.....	D16/204
4,485,398 A	*	11/1984	Chapin, Jr. et al.	.....	348/81
D307,915 S	*	5/1990	Kuester, III	.....	D16/203
D411,217 S	*	6/1999	McBride	.....	D16/204

6,097,424 A	*	8/2000	Zernov et al.	.....	348/81
D438,227 S	*	2/2001	Grotto	.....	D16/203
2001/0015766 A1	*	8/2001	Marchesini	.....	348/373

\* cited by examiner

*Primary Examiner*—Adir Aronovich

(74) *Attorney, Agent, or Firm*—D L Tschida

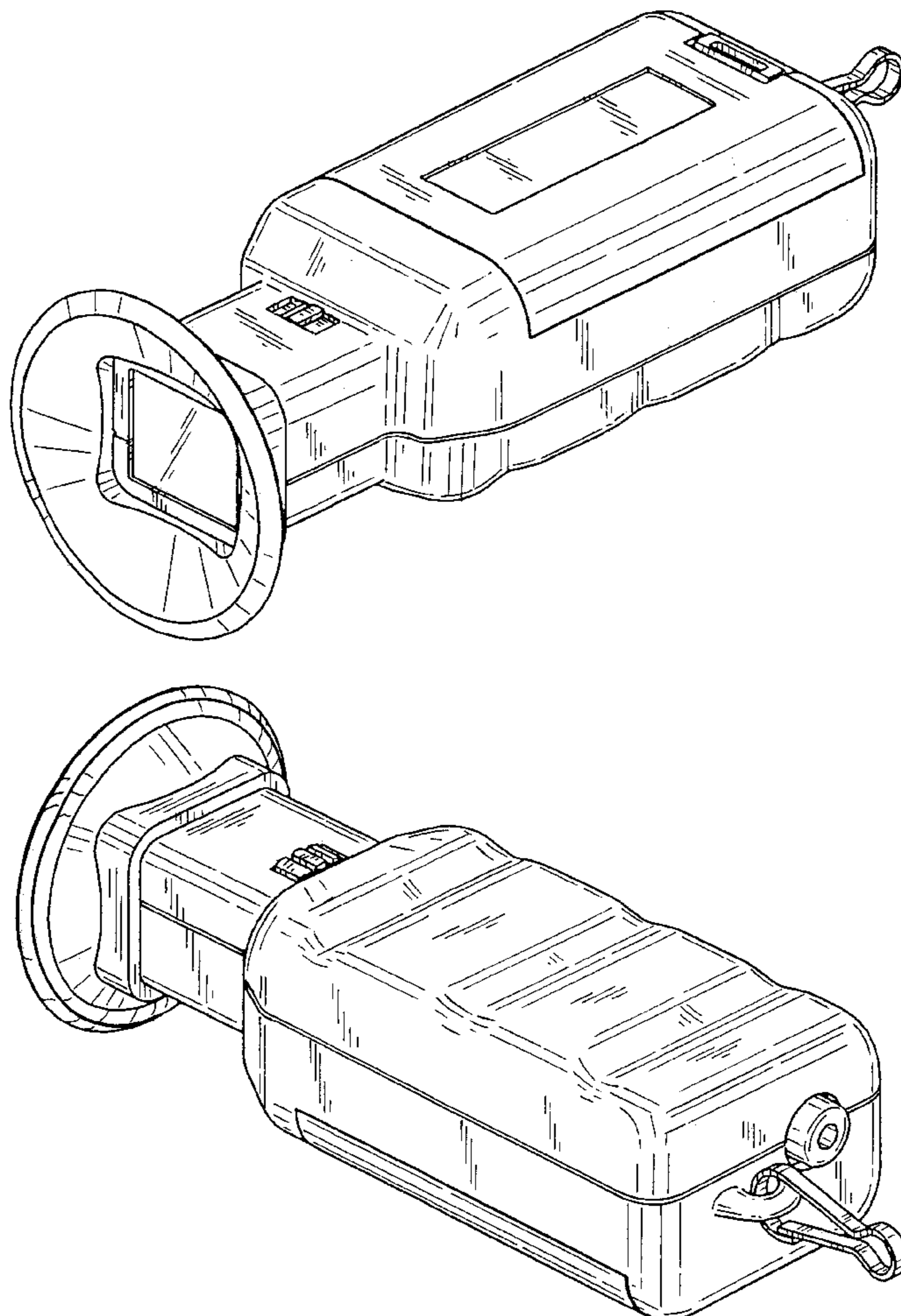
(57) **CLAIM**

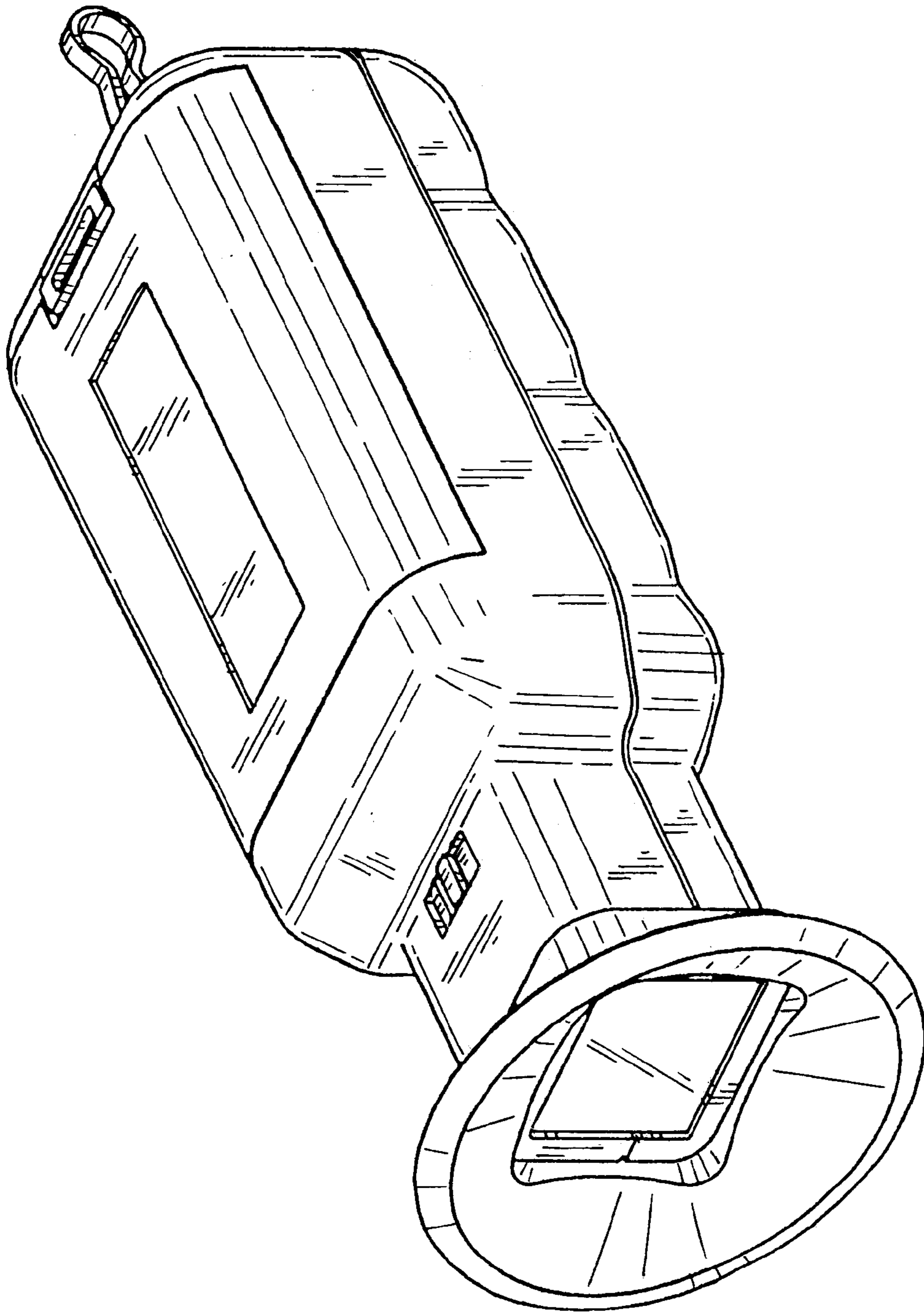
The ornamental design for a viewing monitor, as shown and described.

**DESCRIPTION**

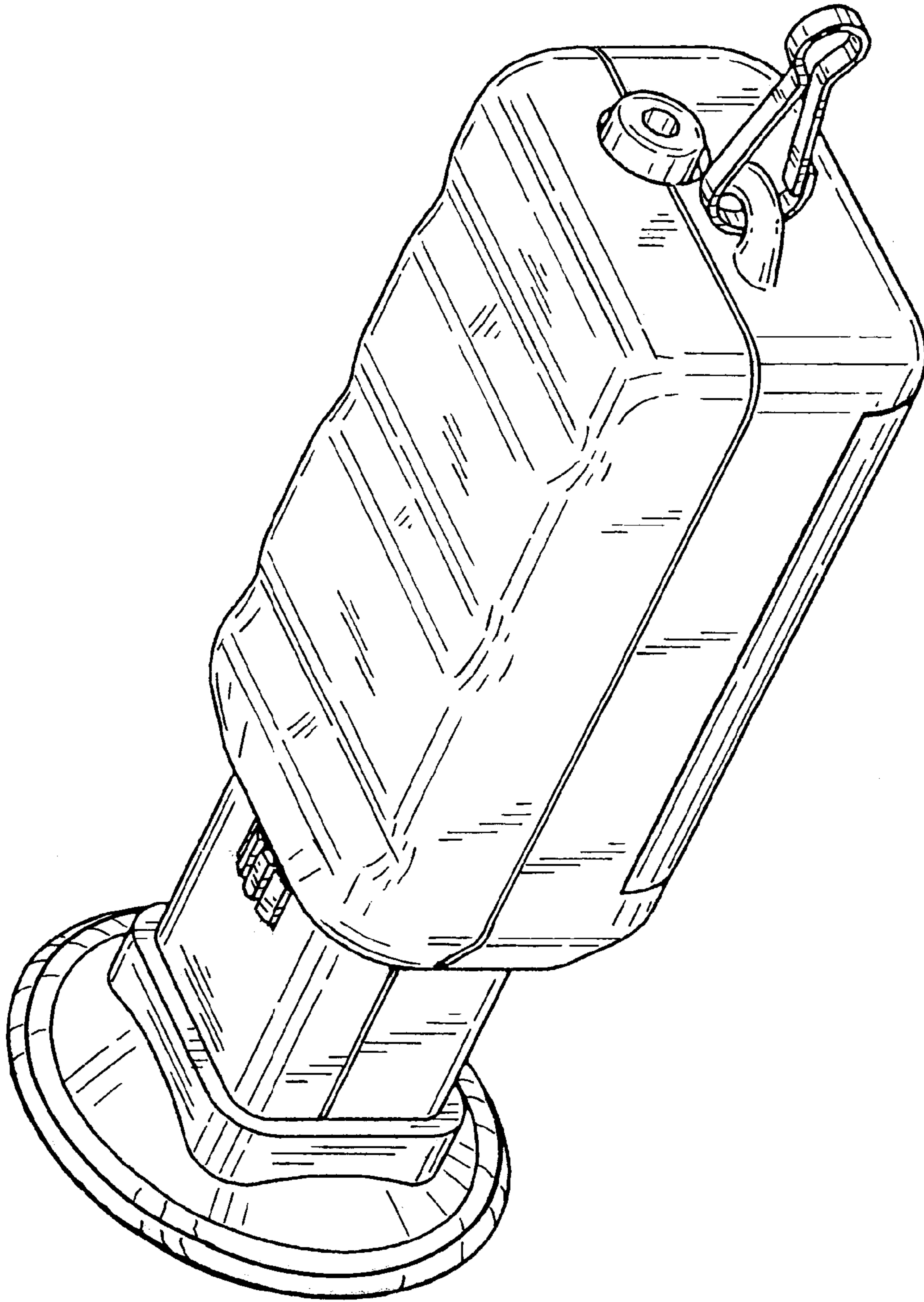
FIG. 1 is a top, front and left side perspective view of a viewing monitor showing my new design;  
FIG. 2 is a bottom, rear and right side perspective view thereof;  
FIG. 3 is a front elevational view thereof, the undisclosed rear view being a mirror image;  
FIG. 4 is a bottom plan view thereof;  
FIG. 5 is a left side elevational view thereof; and,  
FIG. 6 is a right side elevational view thereof.

**1 Claim, 5 Drawing Sheets**

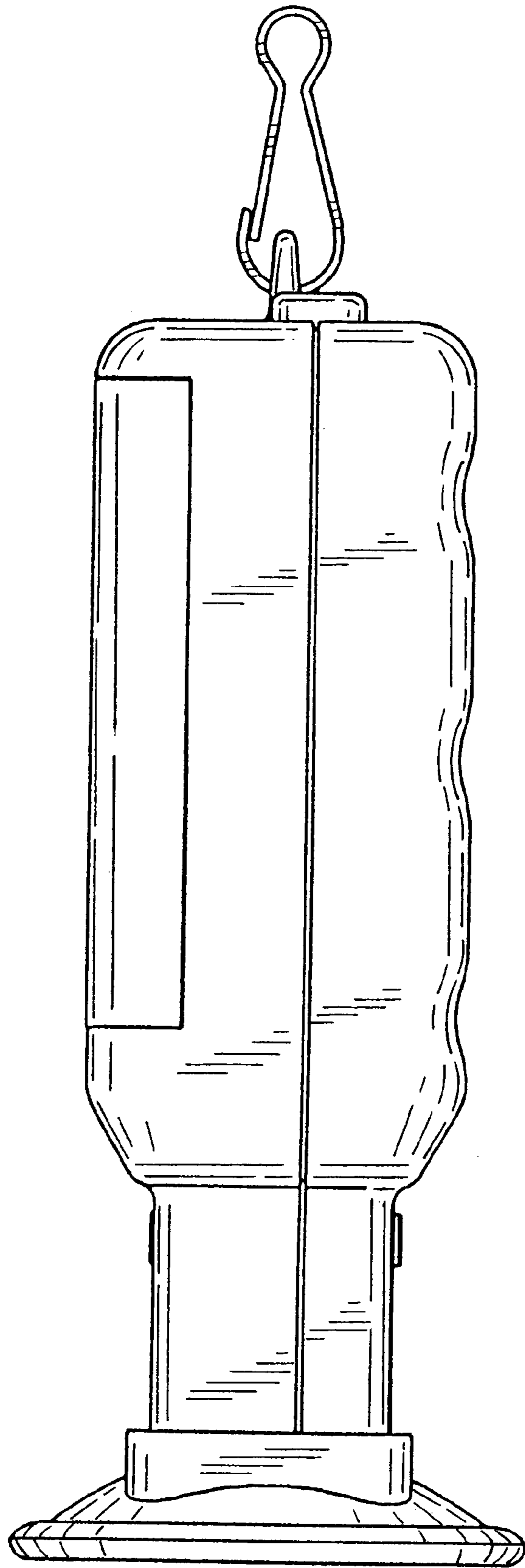




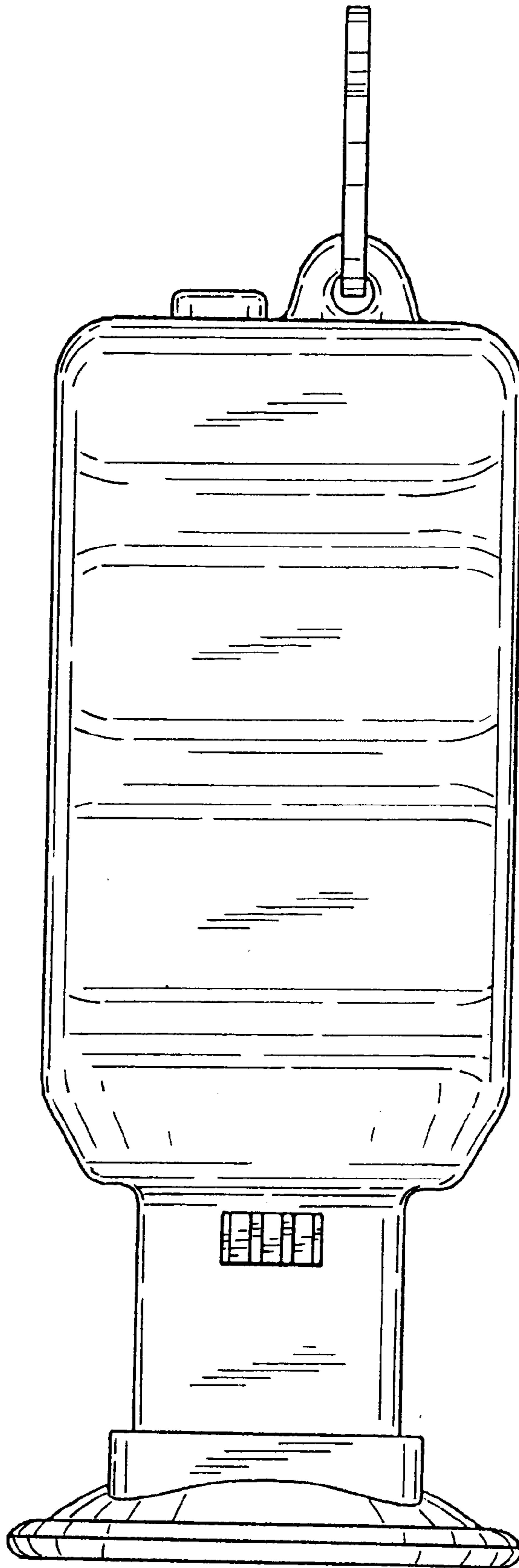
*FIG. 1*



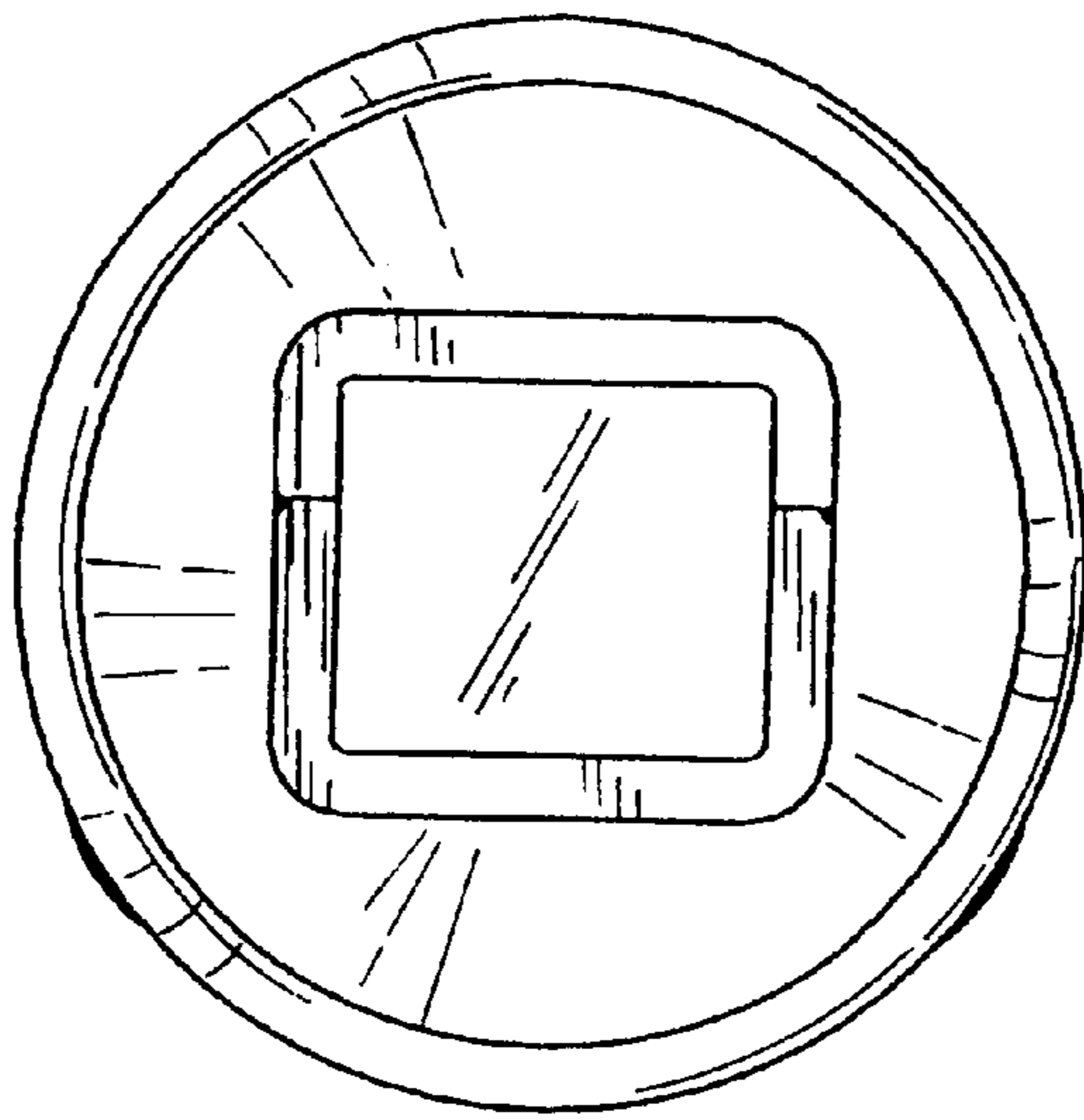
*FIG. 2*



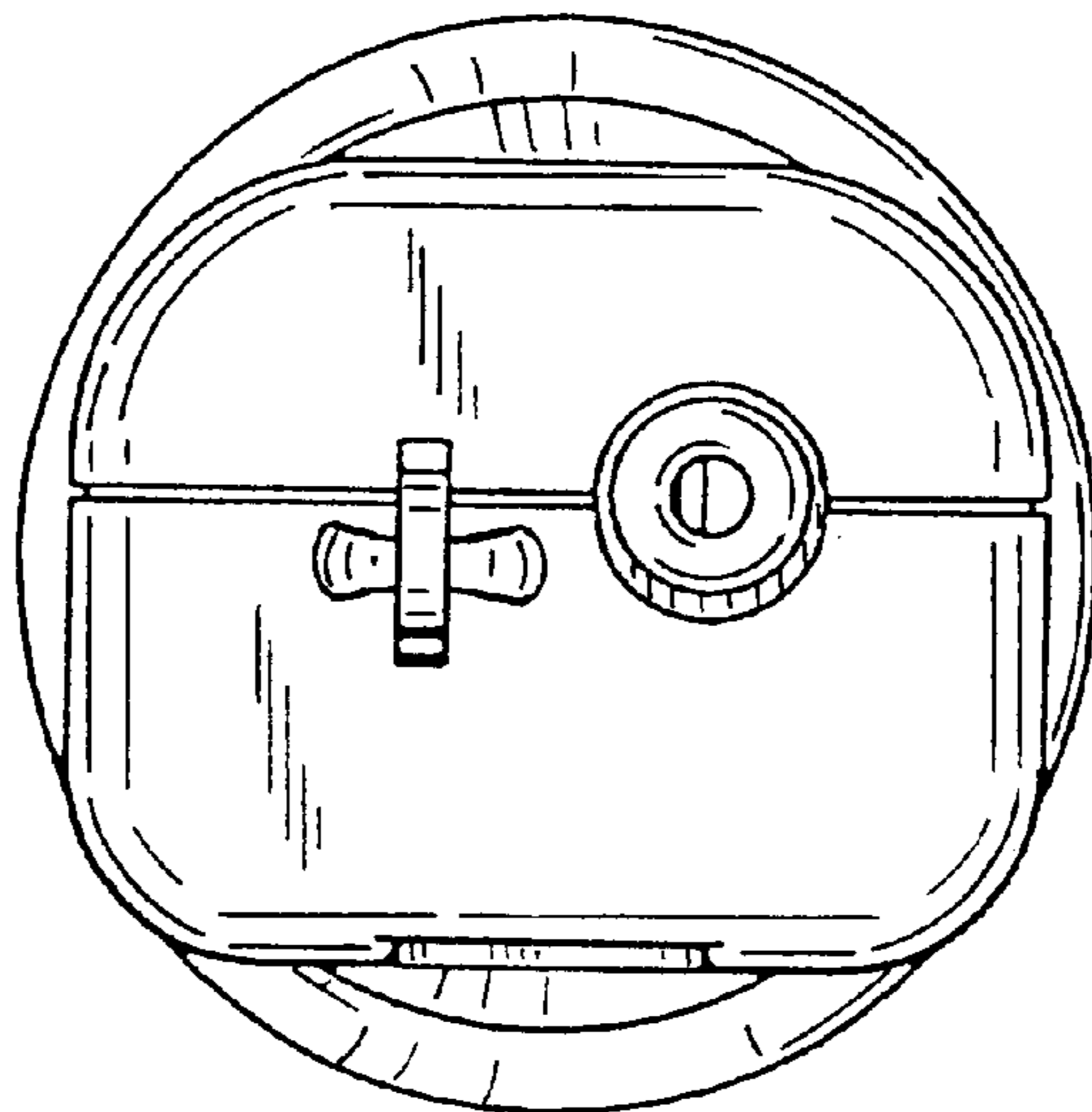
*FIG. 3*



**FIG. 4**



*FIG. 5*



*FIG. 6*