



US00D48825S

(12) **United States Design Patent**
Hussaini et al.

(10) **Patent No.:** **US D488,825 S**

(45) **Date of Patent:** **** Apr. 20, 2004**

(54) **MAGNIFIER DEVICE**

6,116,562 A * 9/2000 Griffin 248/444.1

(75) Inventors: **Saied Hussaini**, Miami, FL (US); **Marc Iacovelli**, Miami, FL (US)

* cited by examiner

Primary Examiner—Paula A. Mortimer

(73) Assignee: **Intec, Inc.**, Miami, FL (US)

(74) *Attorney, Agent, or Firm*—Liniak, Berenato & White

(**) Term: **14 Years**

(57) **CLAIM**

(21) Appl. No.: **29/187,874**

The ornamental design for a magnifier device, as shown and described.

(22) Filed: **Aug. 11, 2003**

DESCRIPTION

(51) **LOC (7) Cl.** **16-06**

FIG. 1 is a front view of the magnifier device according to the present invention.

(52) **U.S. Cl.** **D16/135**

FIG. 2 is a rear view of the magnifier device of FIG. 1.

(58) **Field of Search** D16/130, 135;
359/802, 803, 804, 805, 808, 809, 810,
811; D21/330, 333; 248/444.1; 362/109,
157, 253

FIG. 3 is a left side view of the magnifier device of FIG. 1.
FIG. 4 is a right side view of the magnifier device of FIG. 1.

(56) **References Cited**

U.S. PATENT DOCUMENTS

D256,589 S	*	8/1980	Iwashita	D16/135
4,944,574 A	*	7/1990	Roote et al.	359/802
5,113,327 A	*	5/1992	Levy	362/157
5,130,853 A	*	7/1992	Sakurai	359/803
5,307,209 A	*	4/1994	Iaquinto et al.	359/811
6,023,377 A	*	2/2000	Slager	359/802

FIG. 5 is a top view of the magnifier device of FIG. 1.

FIG. 6 is a bottom view of the magnifier device of FIG. 1.

FIG. 7 is a perspective view of the magnifier device according to the present invention.

FIG. 8 is a left side view of the magnifier device of FIG. 1 in an alternate configuration; and,

FIG. 9 is a rear view of the magnifier device of FIG. 1 in an alternate configuration.

1 Claim, 9 Drawing Sheets

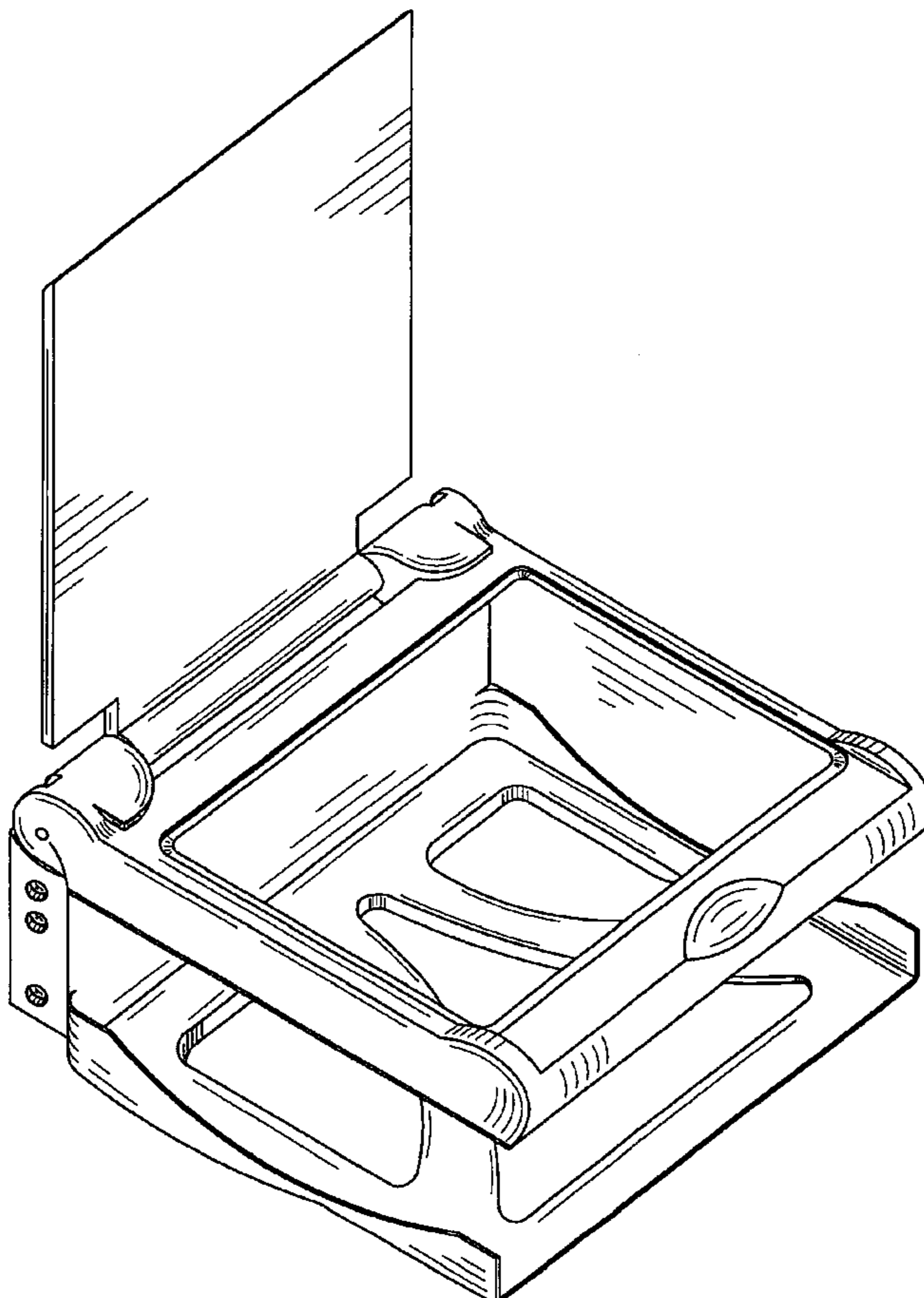


Fig. 1

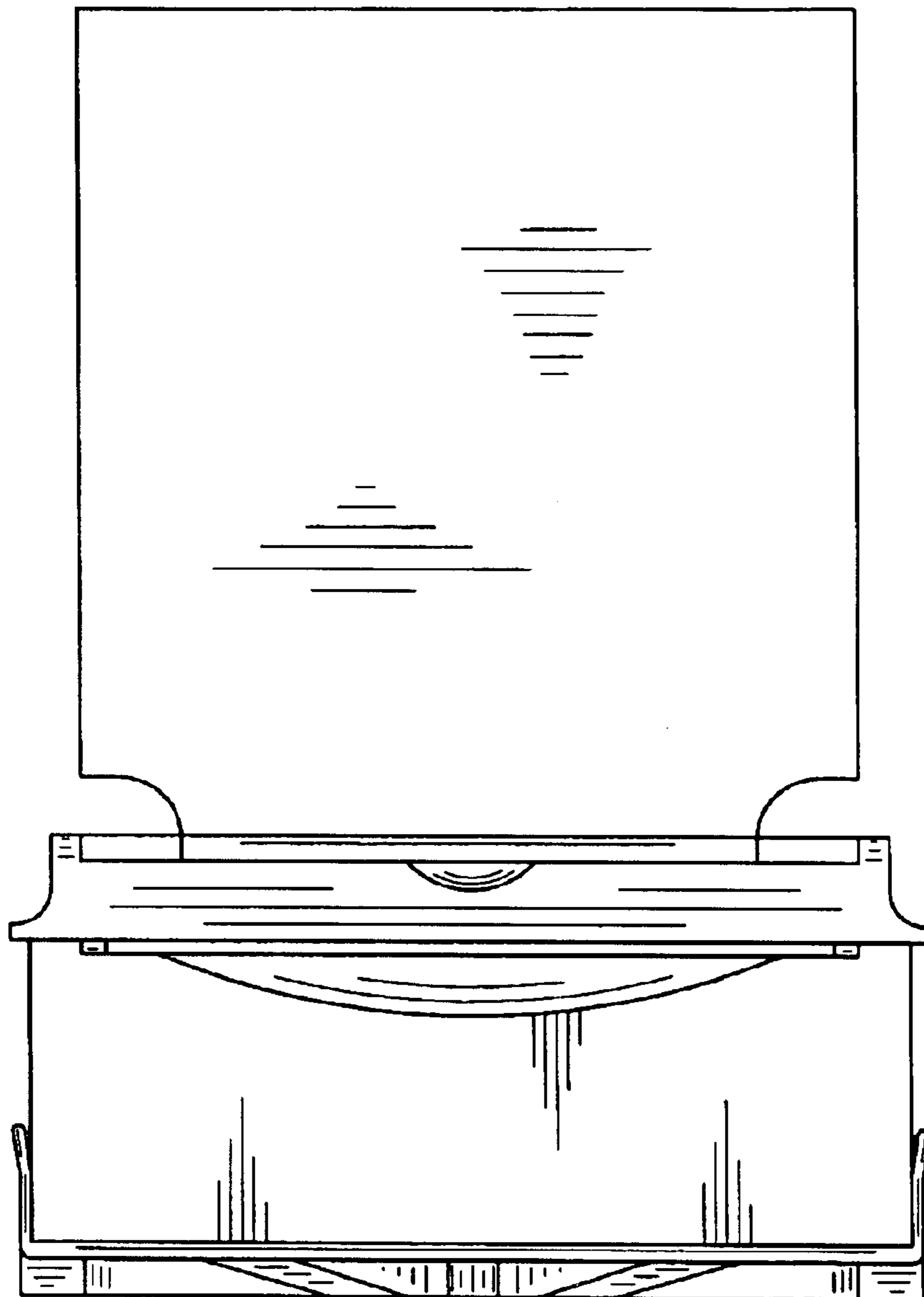


Fig. 2

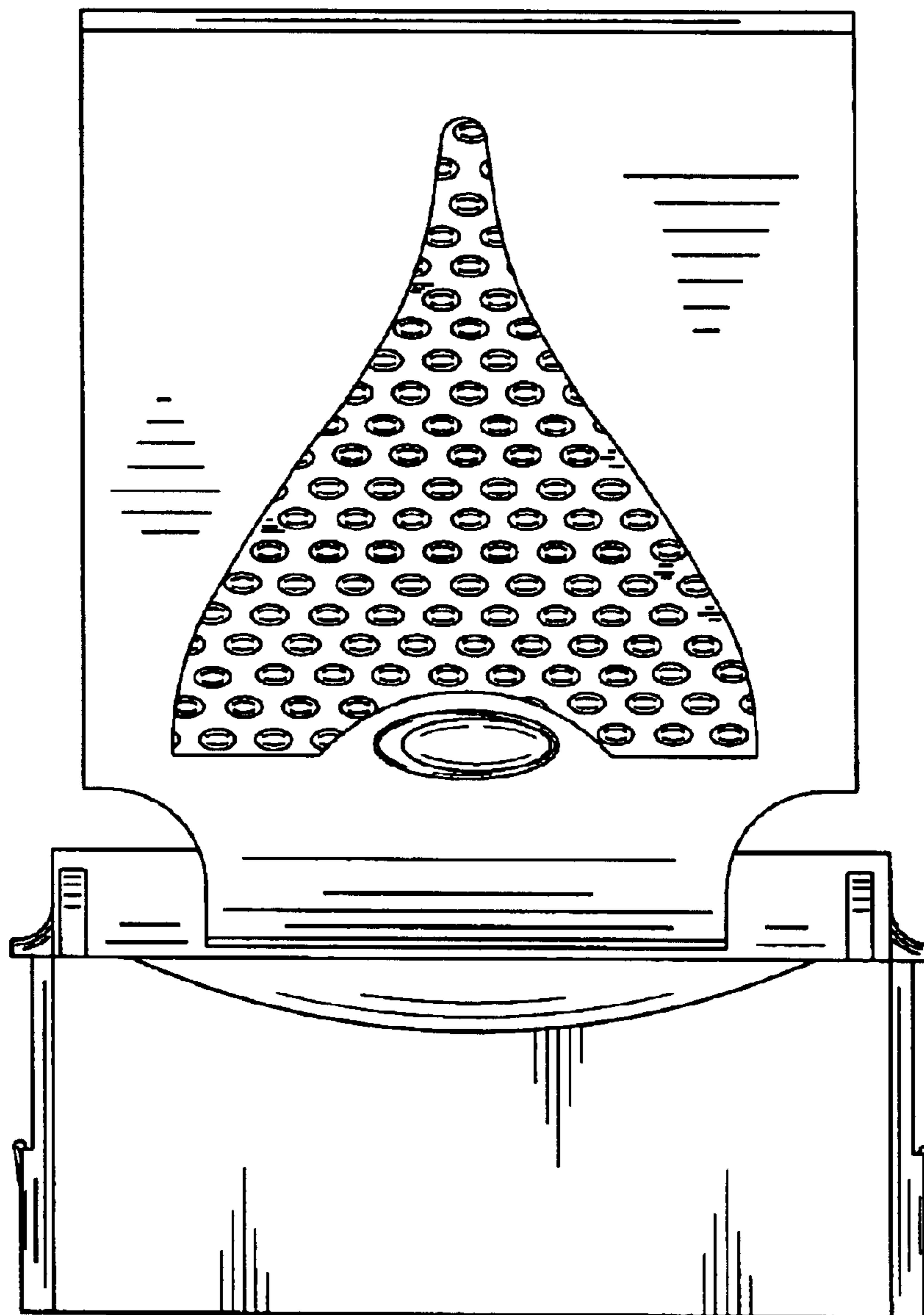


Fig. 3

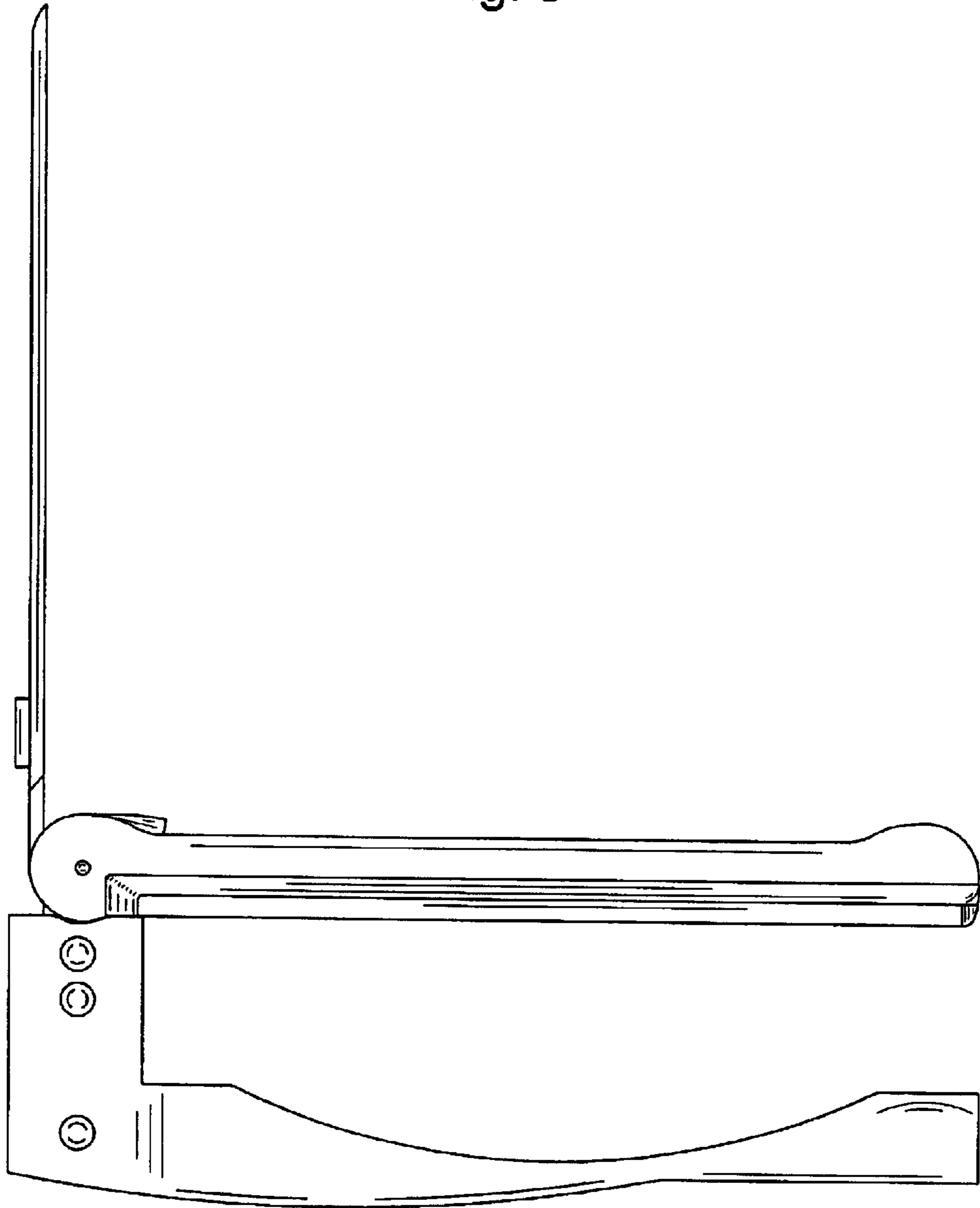


Fig. 4

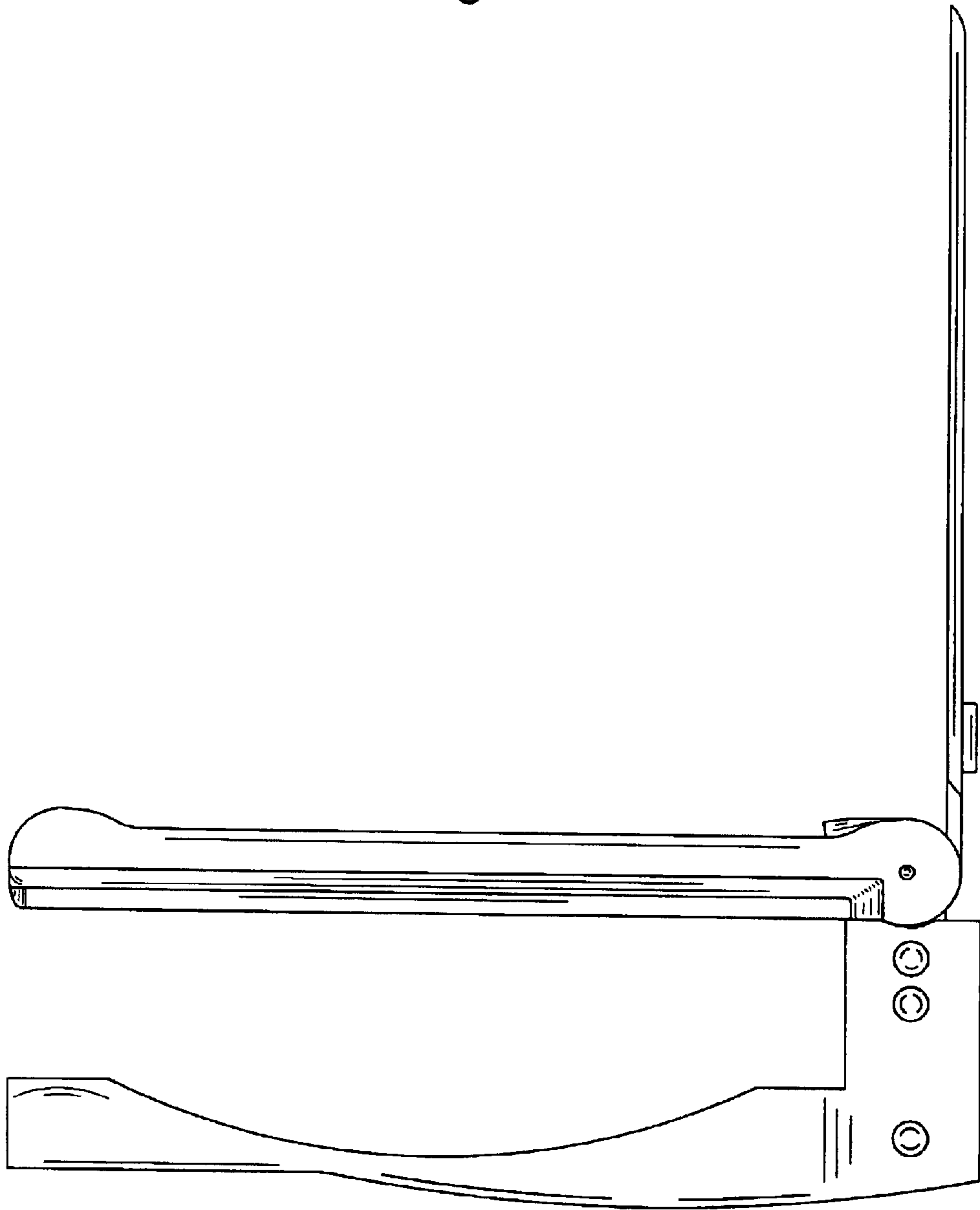


Fig. 5

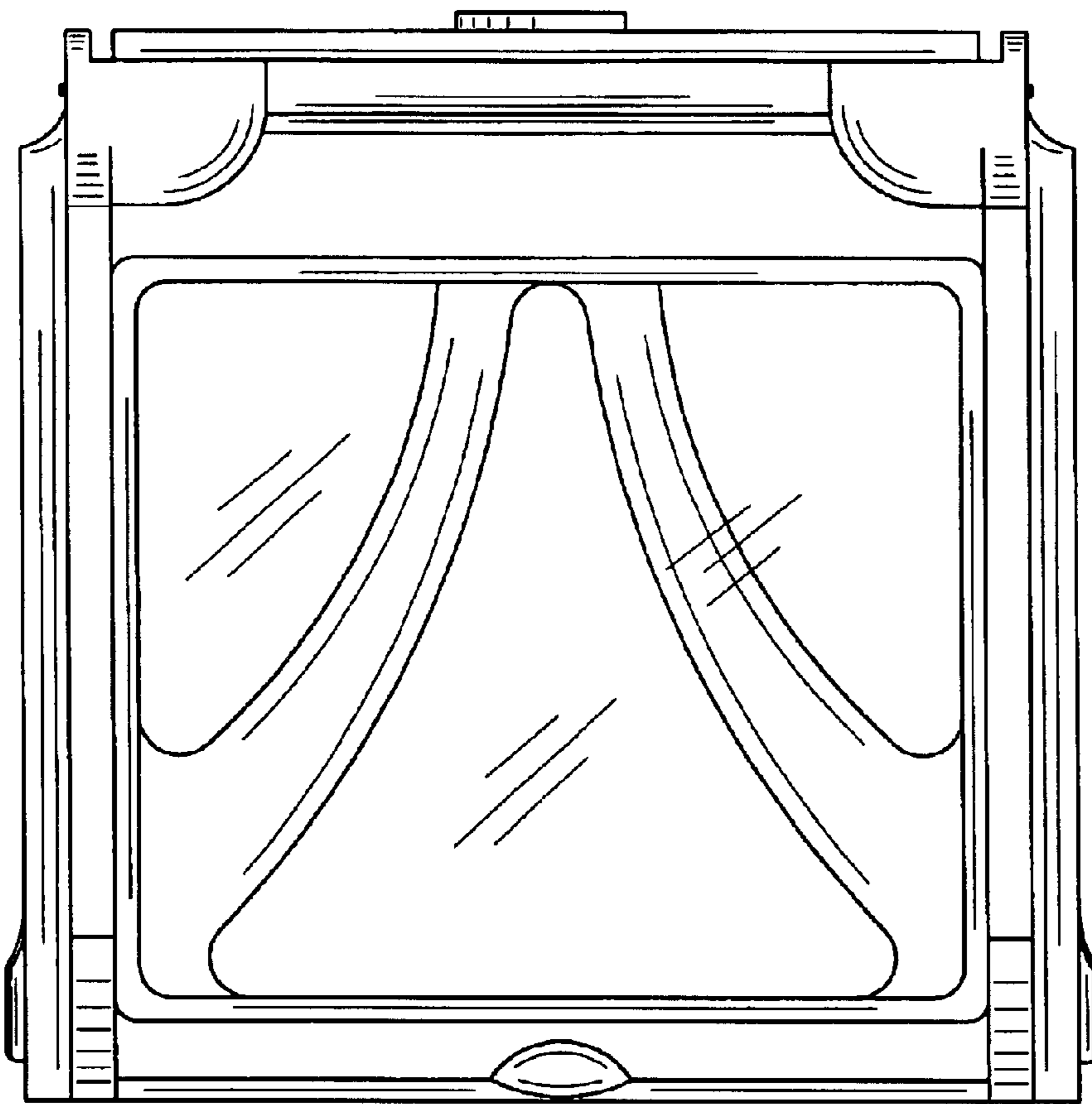


Fig. 6

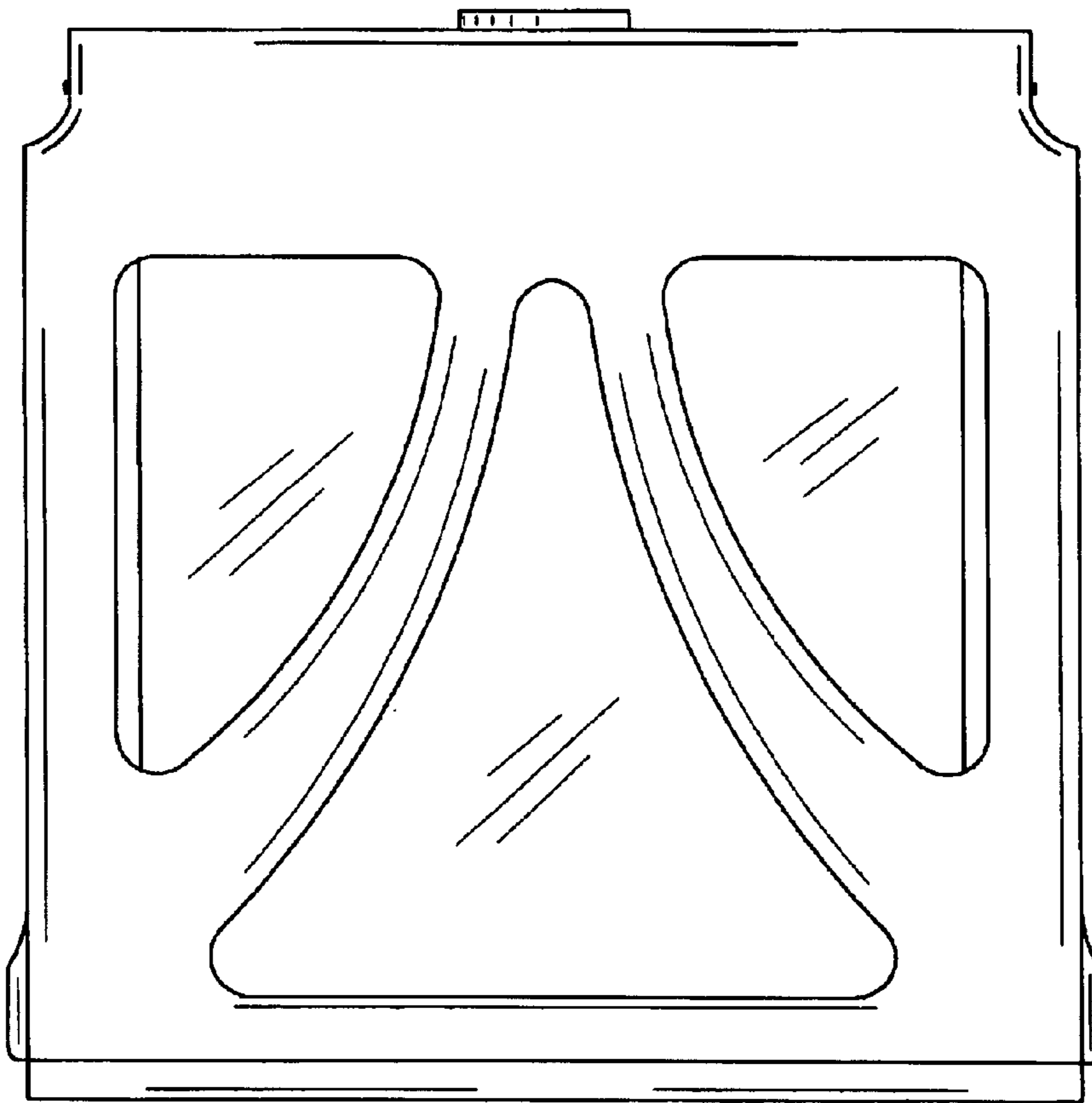


Fig. 7

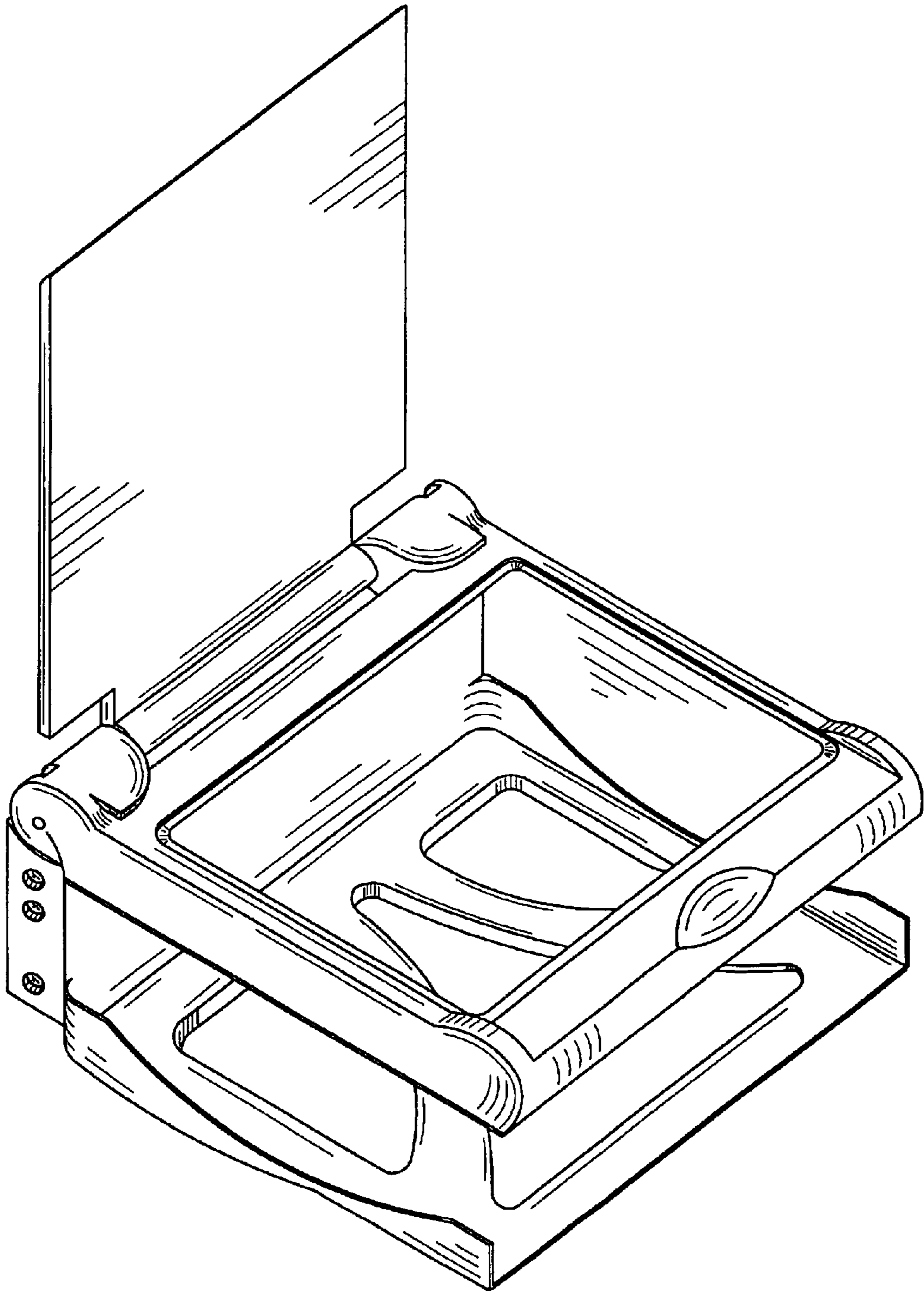


Fig. 8

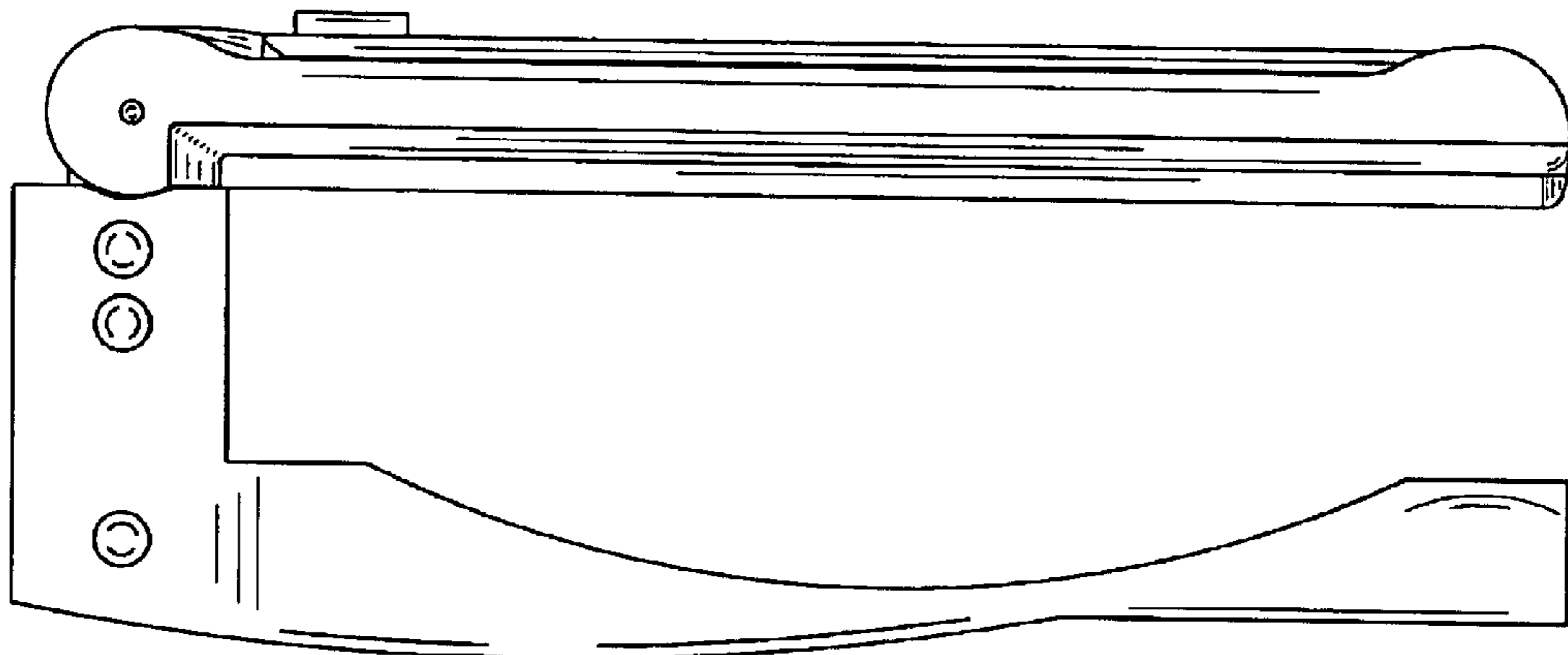


Fig. 9

