



US00D48824S

(12) **United States Design Patent**  
**Hussaini et al.**

(10) **Patent No.:** **US D488,824 S**

(45) **Date of Patent:** **\*\* Apr. 20, 2004**

(54) **MAGNIFIER DEVICE**

6,116,562 A \* 9/2000 Griffin ..... 248/444.1

(75) Inventors: **Saied Hussaini**, Miami, FL (US); **Marc Iacovelli**, Miami, FL (US)

\* cited by examiner

(73) Assignee: **Intec, Inc.**, Miami, FL (US)

*Primary Examiner*—Paula A. Mortimer

(\*\*) Term: **14 Years**

(74) *Attorney, Agent, or Firm*—Liniak, Berenato & White

(21) Appl. No.: **29/187,873**

(57) **CLAIM**

(22) Filed: **Aug. 11, 2003**

The ornamental design for a magnifier device, as shown and described.

(51) **LOC (7) Cl.** ..... **16-06**

**DESCRIPTION**

(52) **U.S. Cl.** ..... **D16/135**

FIG. 1 is a front view of the magnifier device according to the present invention.

(58) **Field of Search** ..... D16/130, 135;  
359/802, 803, 804, 805, 808, 809, 810,  
811; D21/330, 333; 248/444.1; 362/109,  
157, 253

FIG. 2 is a rear view of the magnifier device of FIG. 1.  
FIG. 3 is a right side view of the magnifier device of FIG. 1.

(56) **References Cited**

**U.S. PATENT DOCUMENTS**

|             |   |        |                 |       |         |
|-------------|---|--------|-----------------|-------|---------|
| D256,589 S  | * | 8/1980 | Iwashita        | ..... | D16/135 |
| 4,944,574 A | * | 7/1990 | Roote et al.    | ..... | 359/802 |
| 5,113,327 A | * | 5/1992 | Levy            | ..... | 362/157 |
| 5,130,853 A | * | 7/1992 | Sakurai         | ..... | 359/803 |
| 5,307,209 A | * | 4/1994 | Iaquinto et al. | ..... | 359/811 |
| 6,023,377 A | * | 2/2000 | Slager          | ..... | 359/802 |

FIG. 4 is a left side view of the magnifier device of FIG. 1.  
FIG. 5 is a left side view of the magnifier device of FIG. 1 in an alternate orientation.

FIG. 6 is a top view of the magnifier device of FIG. 1.

FIG. 7 is a bottom view of the magnifier device of FIG. 1; and,

FIG. 8 is a perspective view of the magnifier device according to the present invention.

**1 Claim, 5 Drawing Sheets**

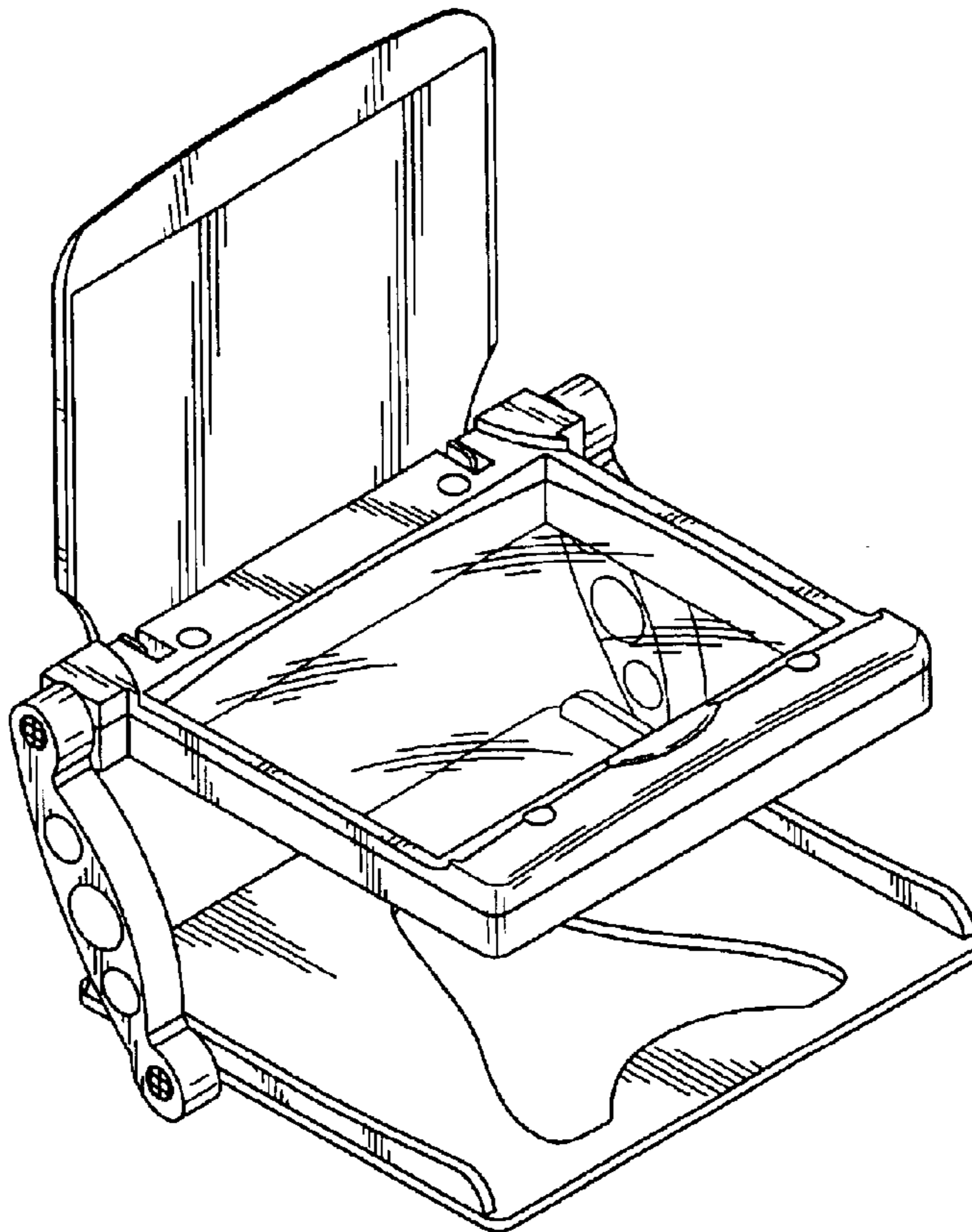


Fig. 1

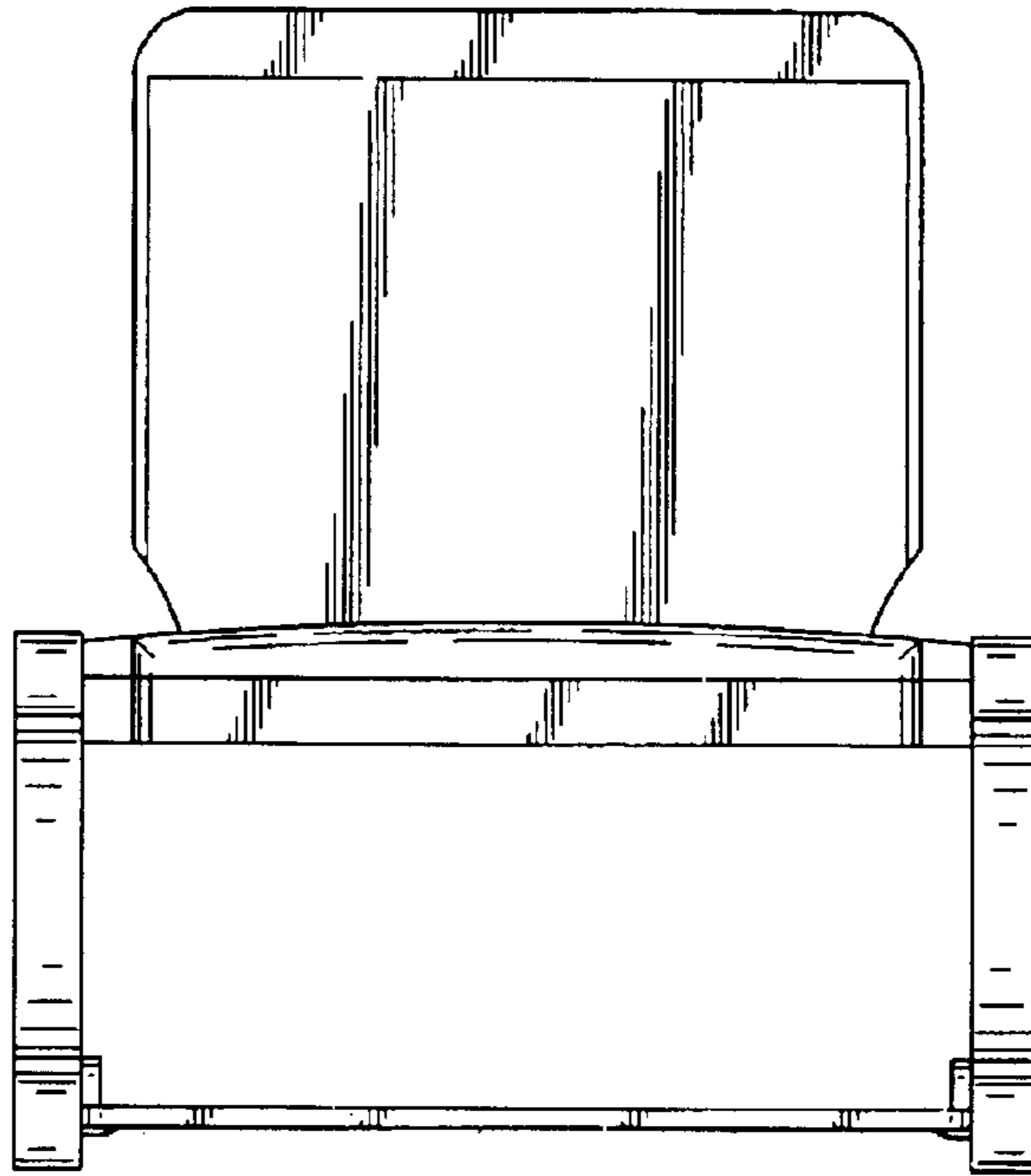


Fig. 2

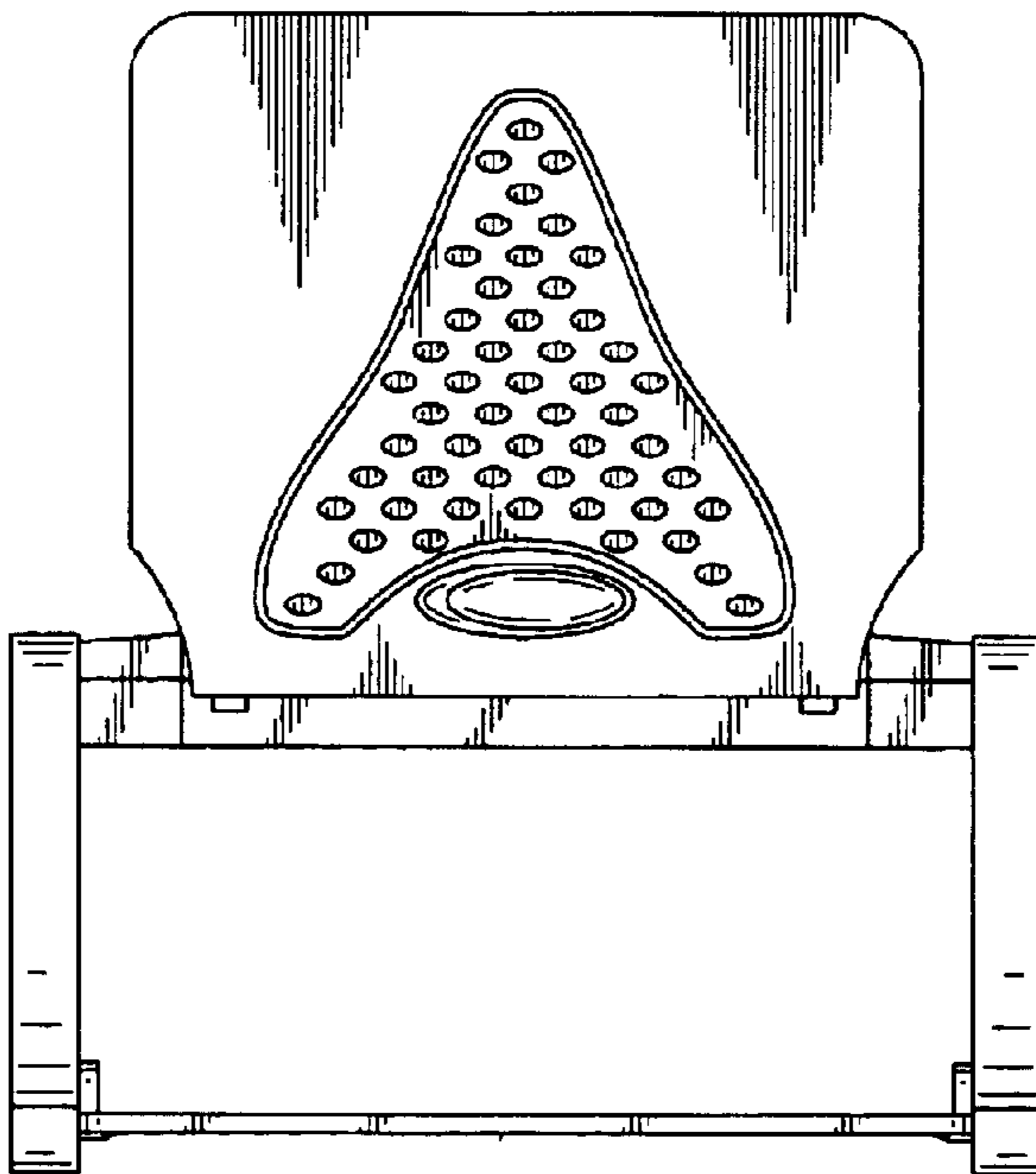


Fig. 3

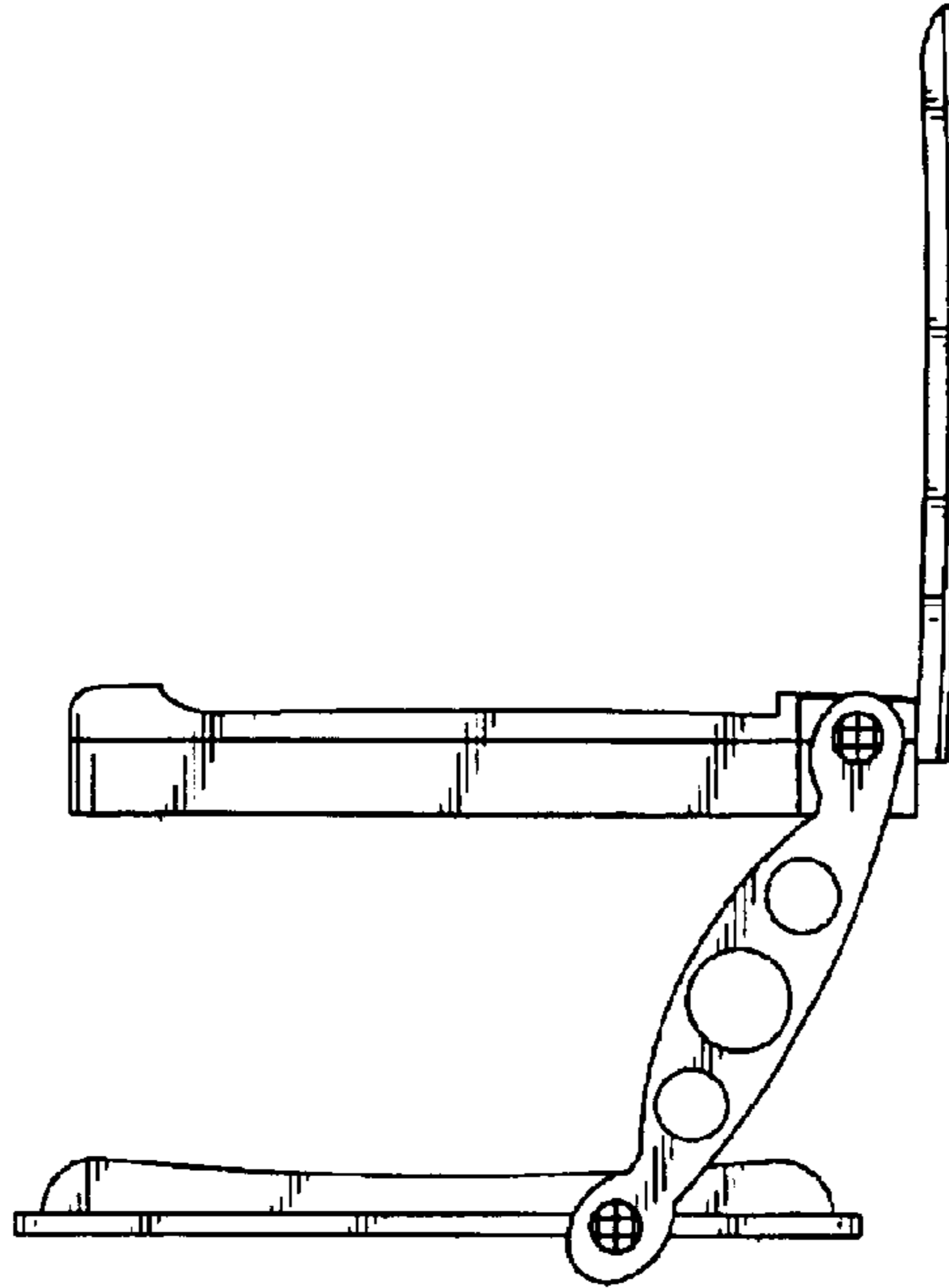


Fig. 4

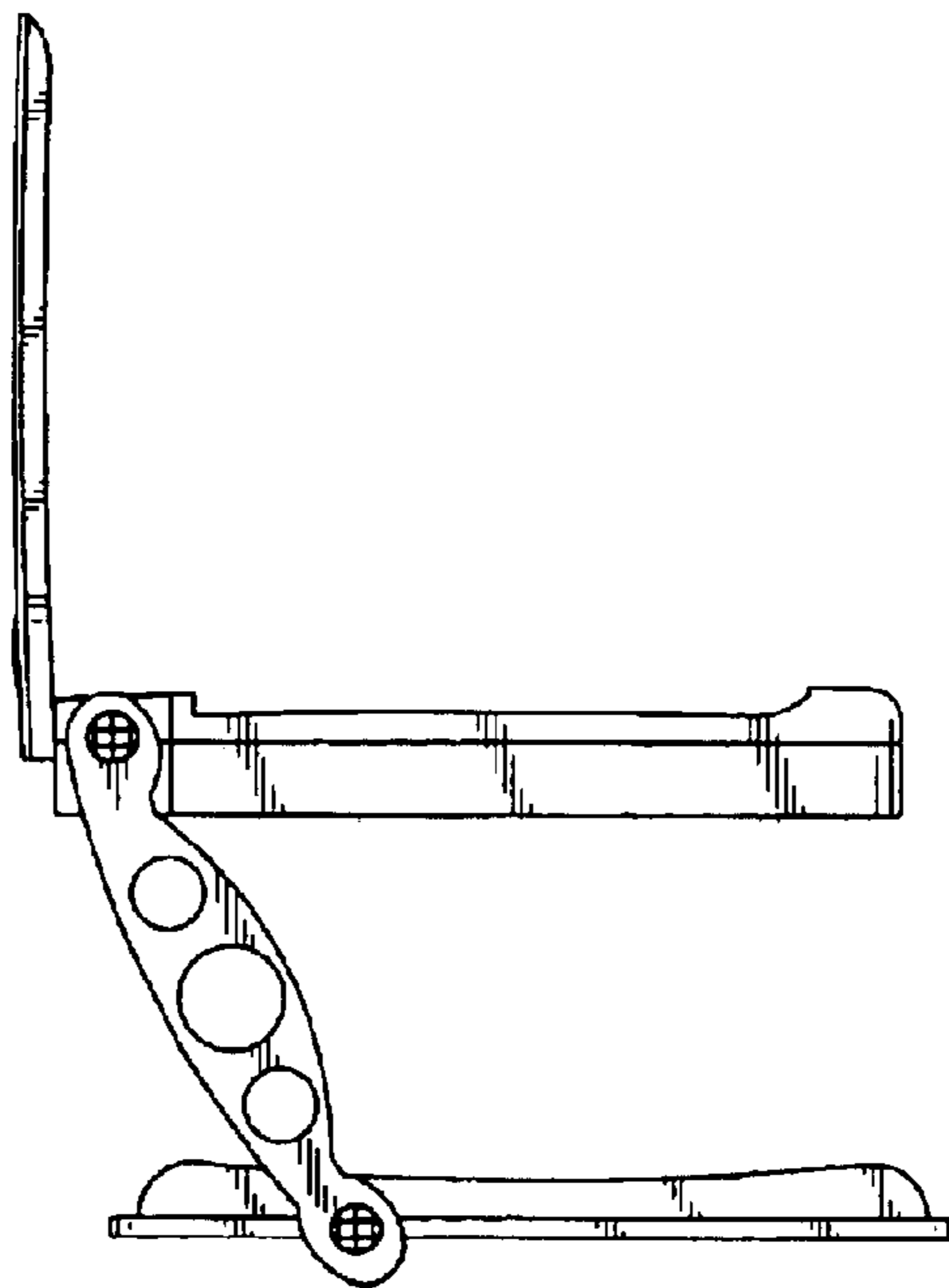


Fig. 5

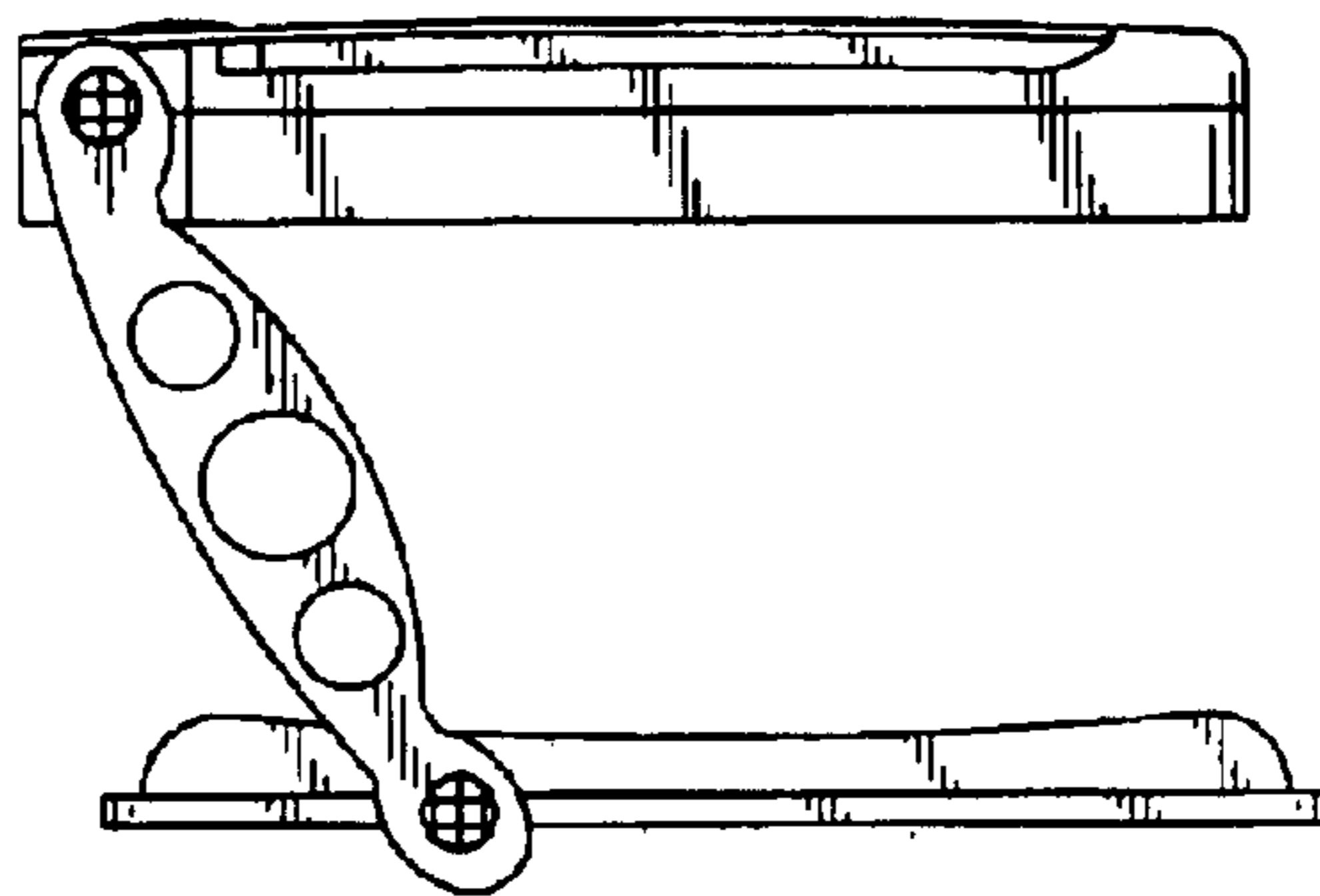


Fig. 6

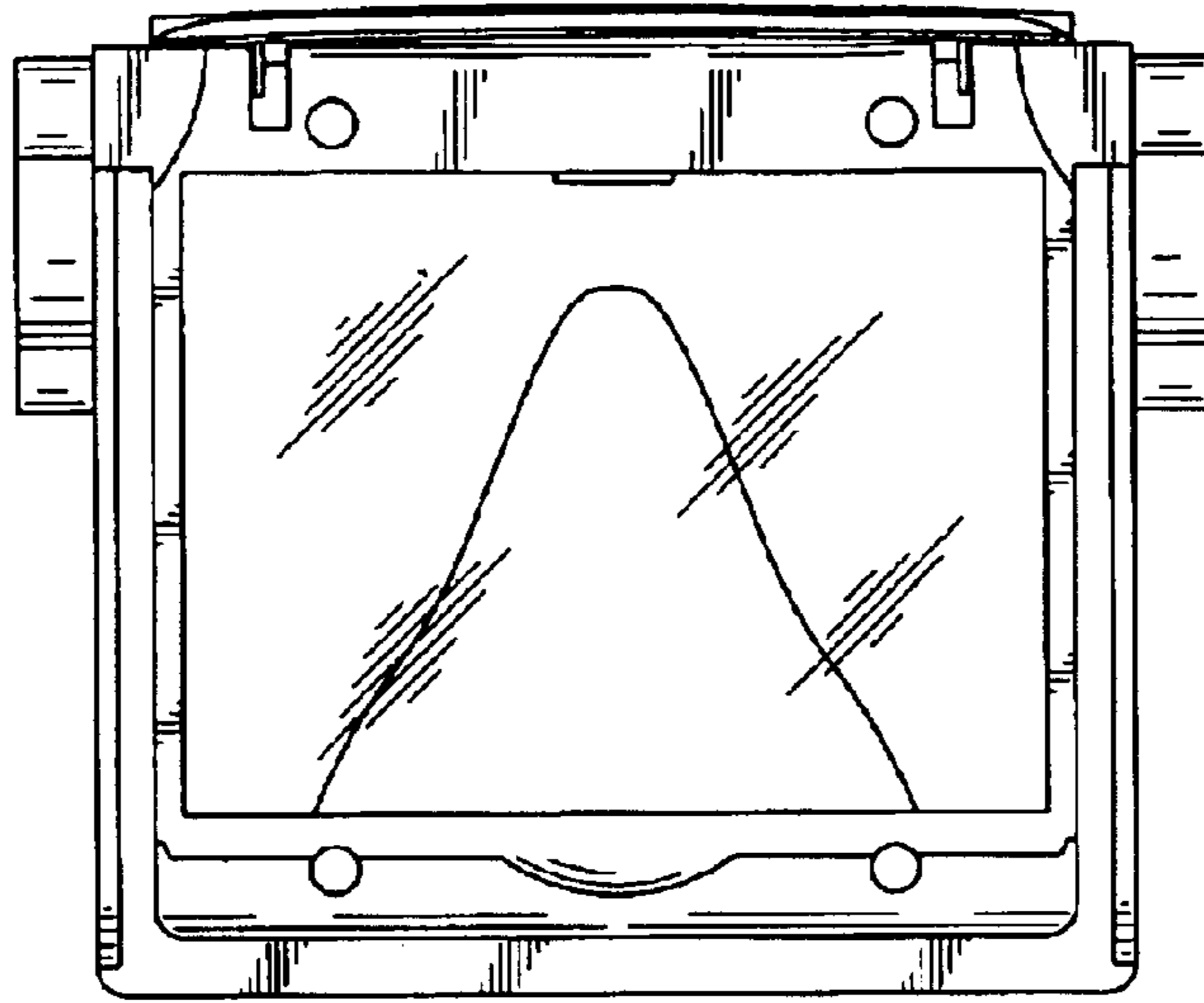


Fig. 7

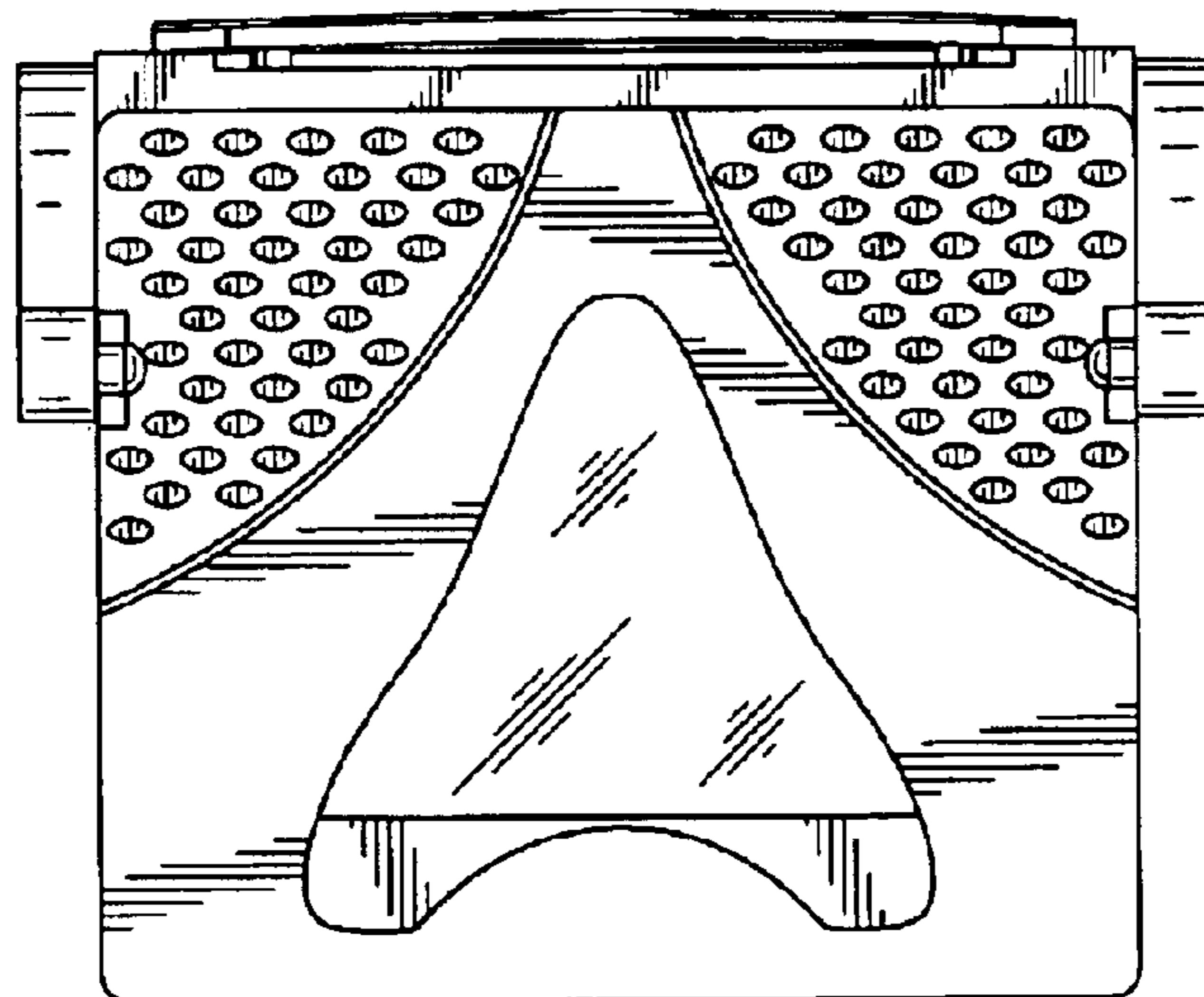


Fig. 8

