



US00D48823S

(12) **United States Design Patent**
Asaka et al.

(10) **Patent No.:** **US D488,823 S**
(45) **Date of Patent:** **** Apr. 20, 2004**

(54) **OPERATION MICROSCOPE**

(75) Inventors: **Takeshi Asaka**, Tokyo (JP); **Shunichiro Takahashi**, Hachioji (JP); **Tomonori Ishikawa**, Hachioji (JP)

(73) Assignee: **Olympus Corporation**, Tokyo (JP)

(**) Term: **14 Years**

(21) Appl. No.: **29/181,845**

(22) Filed: **May 16, 2003**

(30) **Foreign Application Priority Data**

Feb. 27, 2003 (JP) 2003-004963

(51) **LOC (7) Cl.** **16-06**

(52) **U.S. Cl.** **D16/131**

(58) **Field of Search** D16/130, 131;
359/382, 383, 384, 385, 387, 375, 376,
377, 378, 368; D13/101

(56) **References Cited**

U.S. PATENT DOCUMENTS

3,062,099	A	*	11/1962	French, Jr.	359/378
D233,610	S	*	11/1974	Fossella	D13/101
D234,626	S	*	3/1975	Maier	D16/131
D265,206	S	*	6/1982	Weber et al.	D16/131
6,646,798	B2	*	11/2003	Schmidt et al.	359/382

* cited by examiner

Primary Examiner—Paula A. Mortimer

(74) *Attorney, Agent, or Firm*—Hogan & Hartson LLP

(57) **CLAIM**

The ornamental design for an operation microscope, as shown and described.

DESCRIPTION

FIG. 1 is a perspective view showing an operation microscope as our novel design, which is seen from the front side obliquely from upper left side and in which the portion shown by solid lines is the one for which design patent is

sought and the portion shown by dotted lines is the one for which design patent is not sought;

FIG. 2 is a perspective view thereof, which is seen from the rear side obliquely from upper left side and in which the portion shown by solid lines is the one for which design patent is sought and the portion shown by dotted lines is the one for which design patent is not sought;

FIG. 3 is a front view thereof, in which the portion shown by solid lines is the one for which design patent is sought and the portion shown by dotted lines is the one for which design patent is not sought;

FIG. 4 is a rear view thereof, in which the portion shown by solid lines is the one for which design patent is sought and the portion shown by dotted lines is the one for which design patent is not sought;

FIG. 5 is a plan view thereof, in which the portion shown by solid lines is the one for which design patent is sought and the portion shown by dotted lines is the one for which design patent is not sought;

FIG. 6 is a bottom plan view thereof, in which the portion shown by solid lines is the one for which design patent is sought and the portion shown by dotted lines is the one for which design patent is not sought;

FIG. 7 is a right side view thereof, in which the portion shown by solid lines is the one for which design patent is sought and the portion shown by dotted lines is the one for which design patent is not sought;

FIG. 8 is a left side view thereof, in which the portion shown by solid lines is the one for which design patent is sought and the portion shown by dotted lines is the one for which design patent is not sought;

FIG. 9 is a perspective view thereof, which is seen from the front side obliquely from upper left side, with the portion shown by solid lines for which design patent is sought in enlarged scale;

FIG. 10 is a perspective view thereof, which is seen from the rear side obliquely from upper left side, with the portion shown by solid lines for which design patent is sought in enlarged scale;

FIG. 11 is a front view thereof, with the portion shown by solid lines for which design patent is sought in enlarged scale;

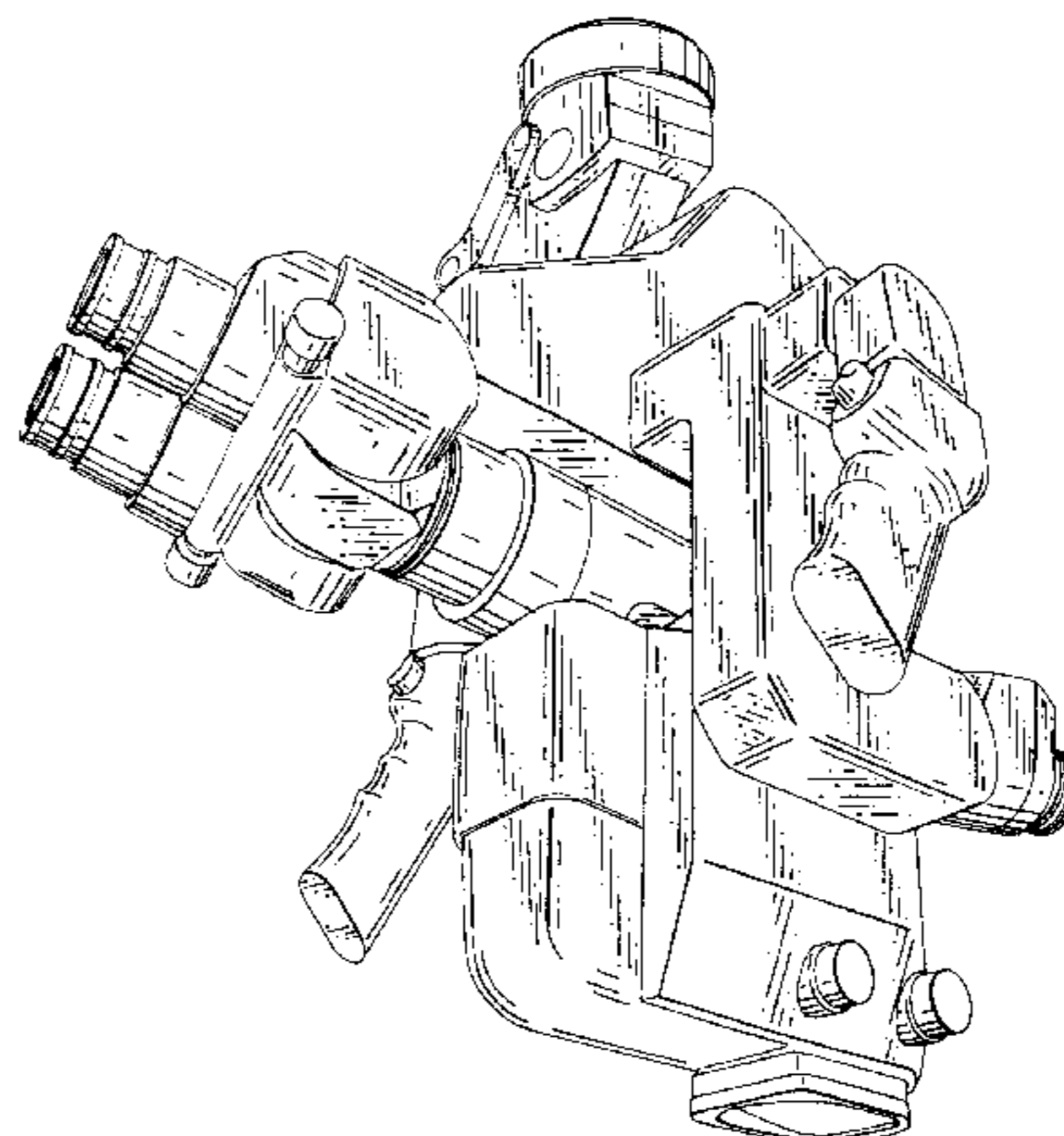
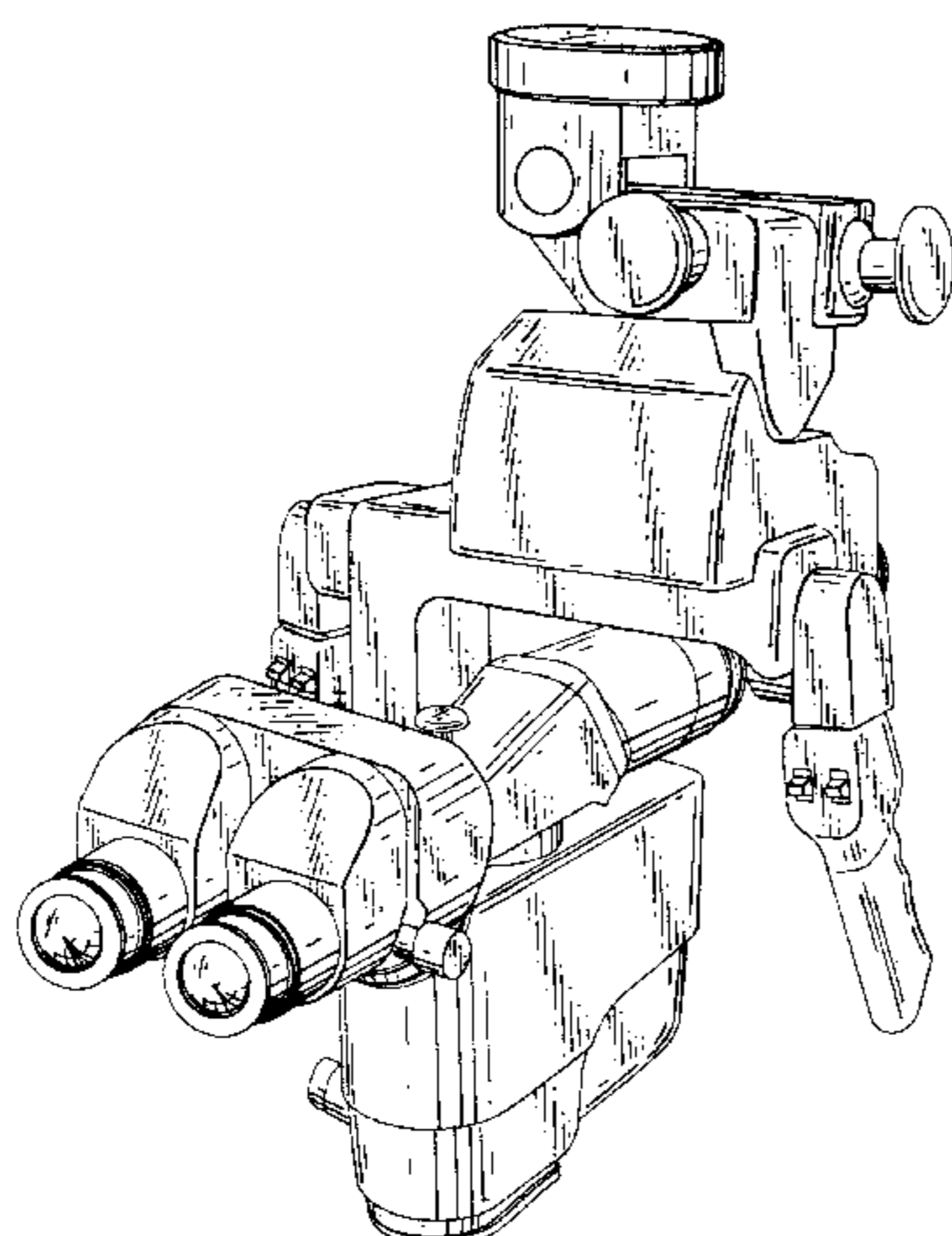


FIG. **12** is a rear view thereof, with the portion shown by solid lines for which design patent is sought in enlarged scale;

FIG. **13** is a plan view thereof, with the portion shown by solid lines for which design patent is sought in enlarged scale;

FIG. **14** is a bottom plan view thereof, with the portion shown by solid lines for which design patent is sought in enlarged scale;

FIG. **15** is a right side view thereof, with the portion shown by solid lines for which design patent is sought in enlarged scale;

FIG. **16** is a left side view thereof, with the portion shown by solid lines for which design patent is sought in enlarged scale;

FIG. **17** is a perspective view thereof for reference, with the portion shown by solid lines for which design patent is sought in enlarged scale, showing the state in which eye-piece unit is rotated; and,

FIG. **18** is a perspective view thereof for reference, with the portion shown by solid lines for which design patent is sought in enlarged scale, showing the state in which eye-piece unit is rotated.

1 Claim, 13 Drawing Sheets

FIG. 1

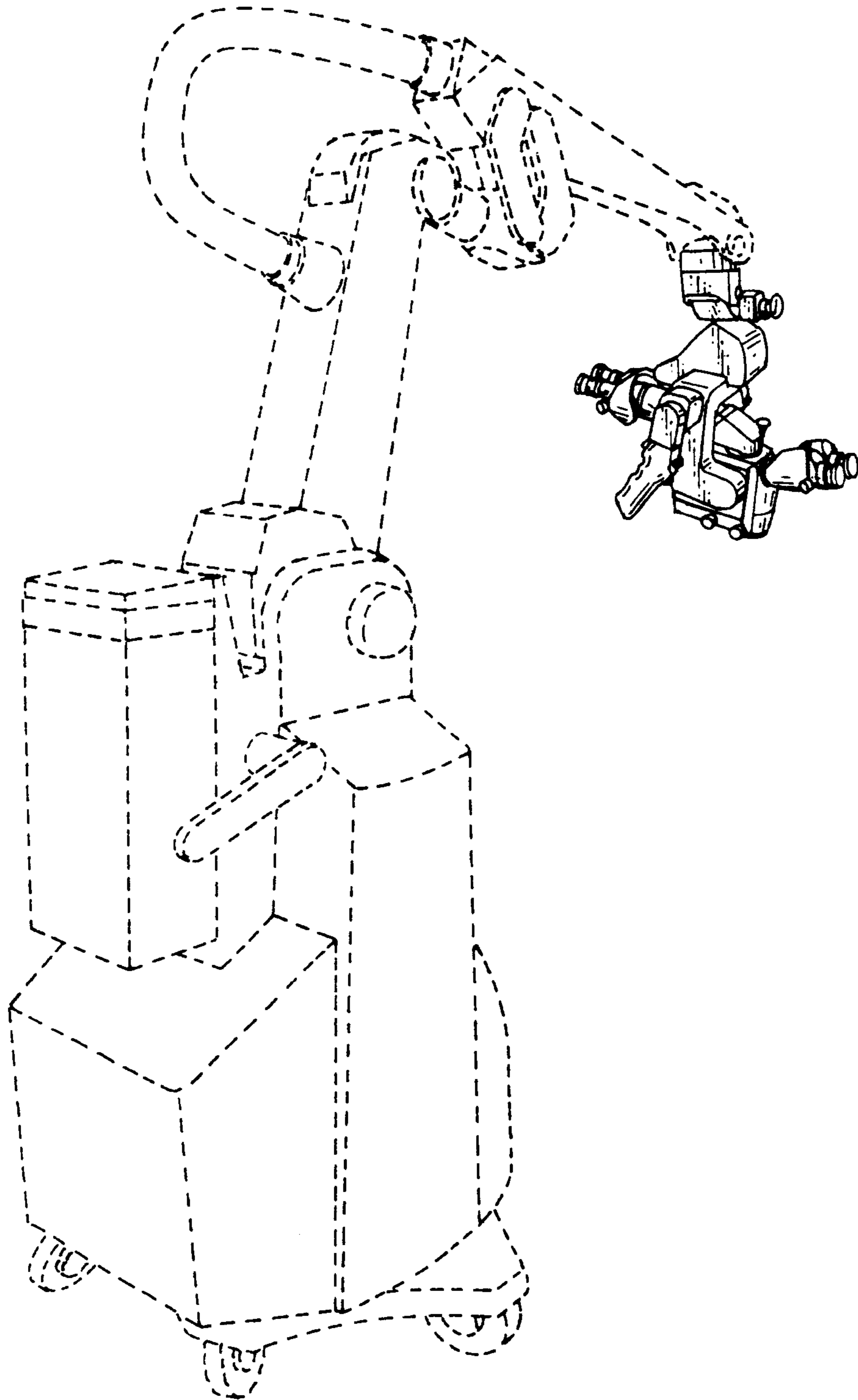


FIG. 2

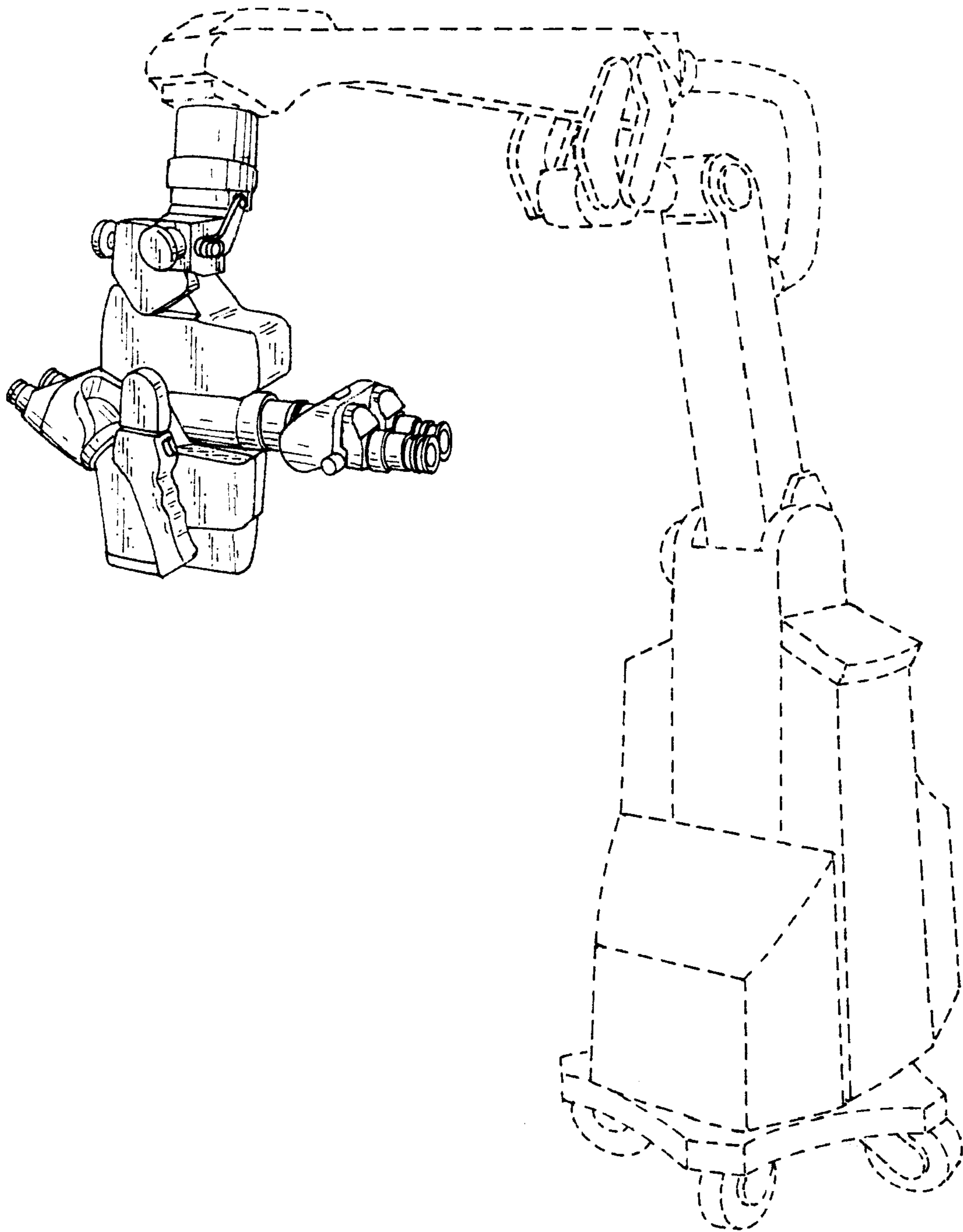


FIG. 3

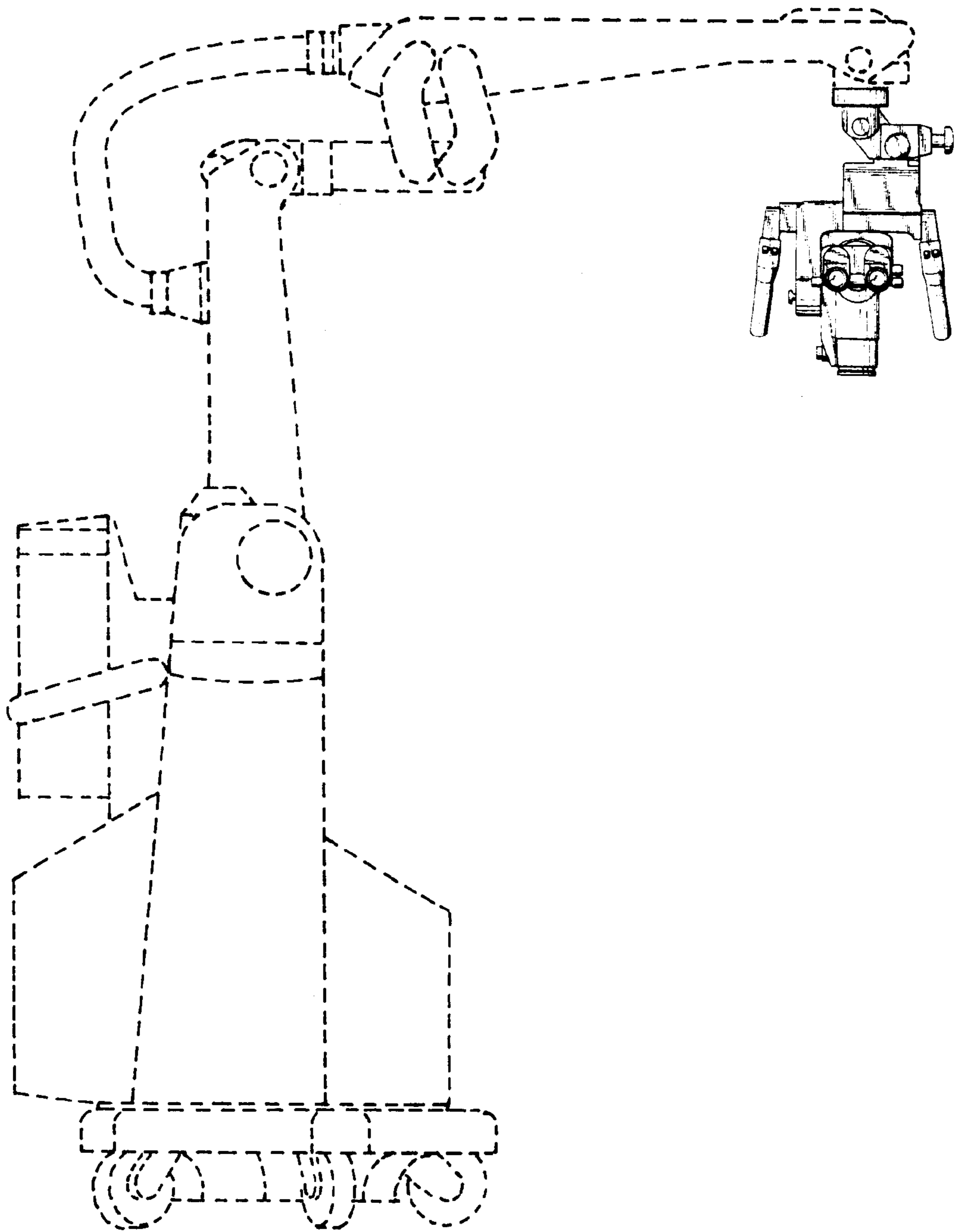


FIG. 4

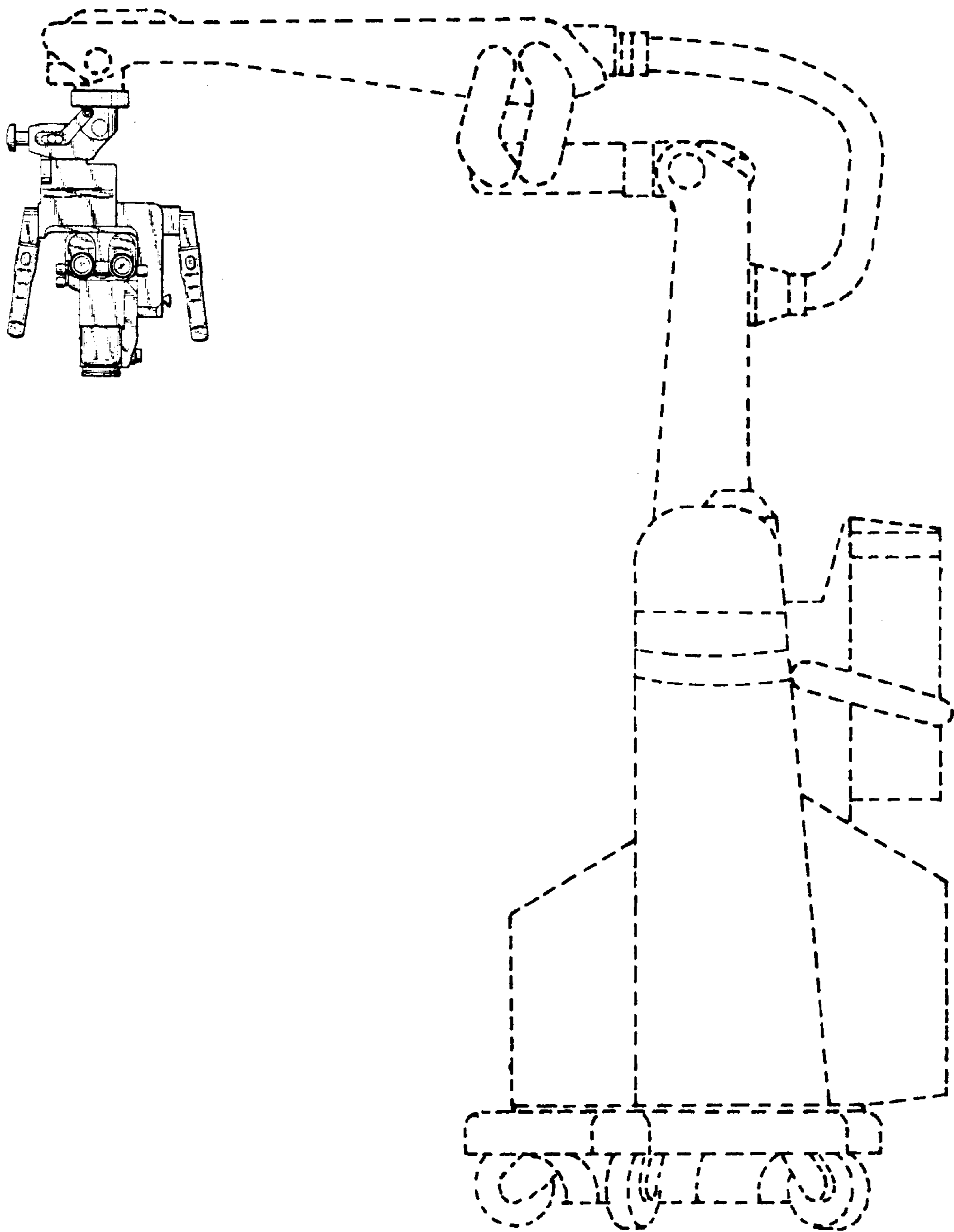


FIG. 5

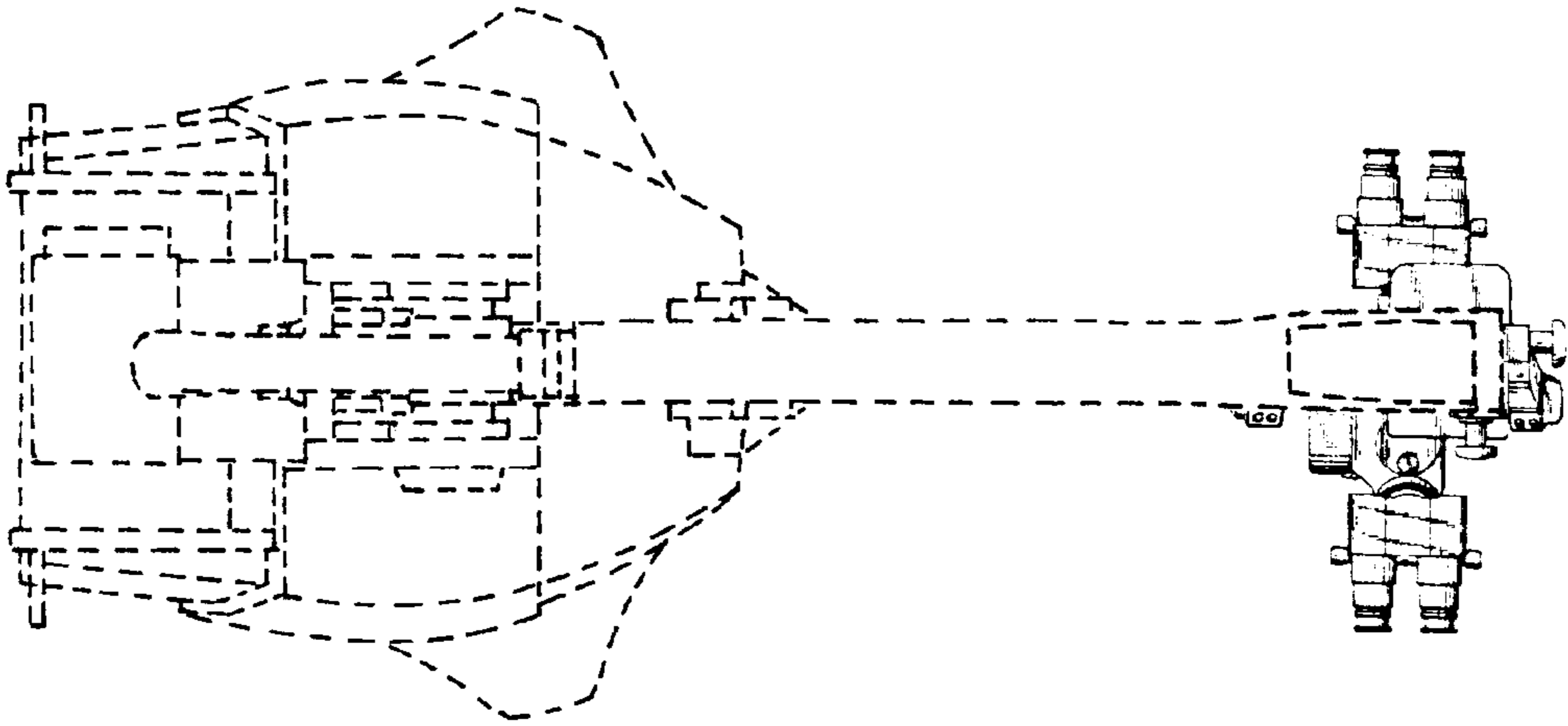


FIG. 6

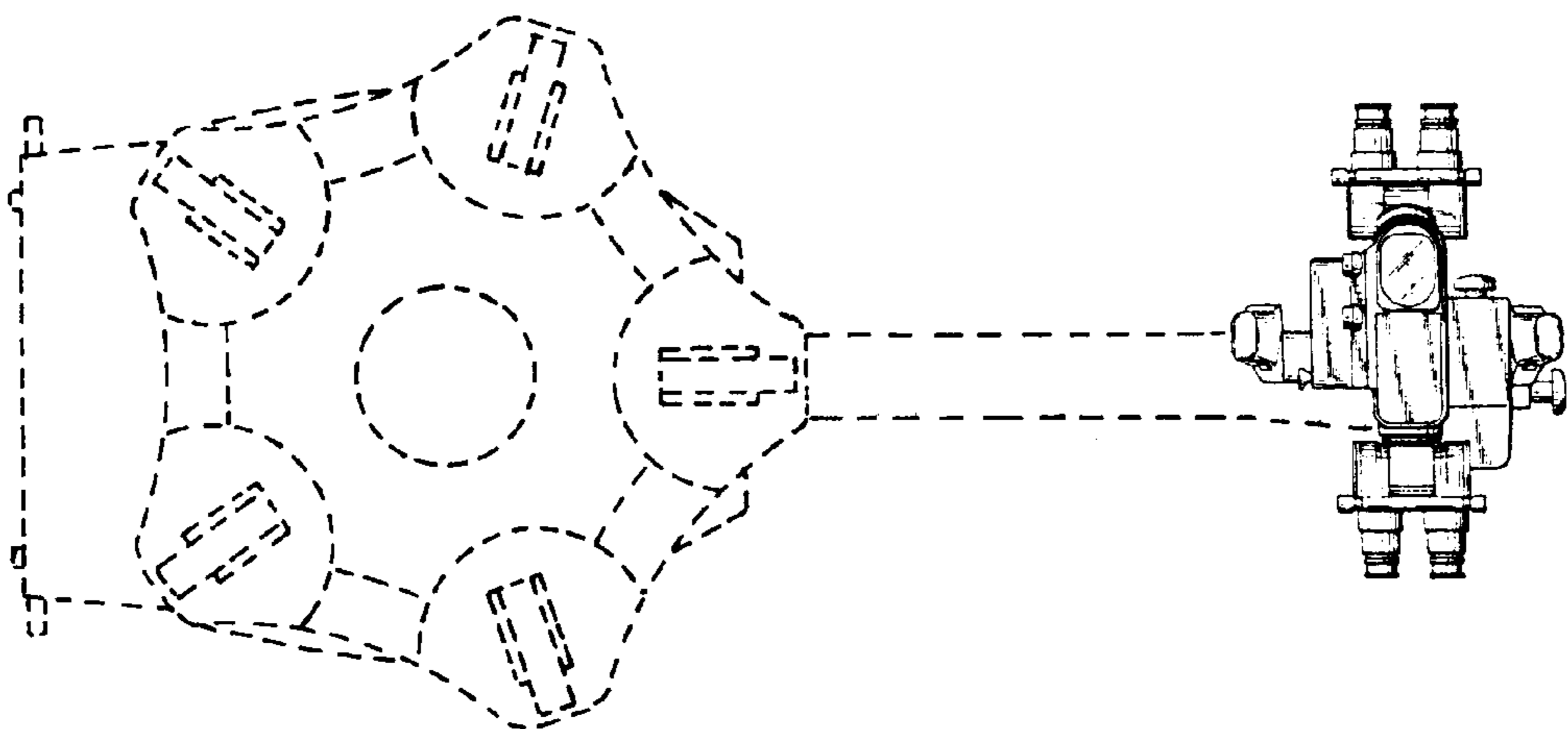


FIG. 7

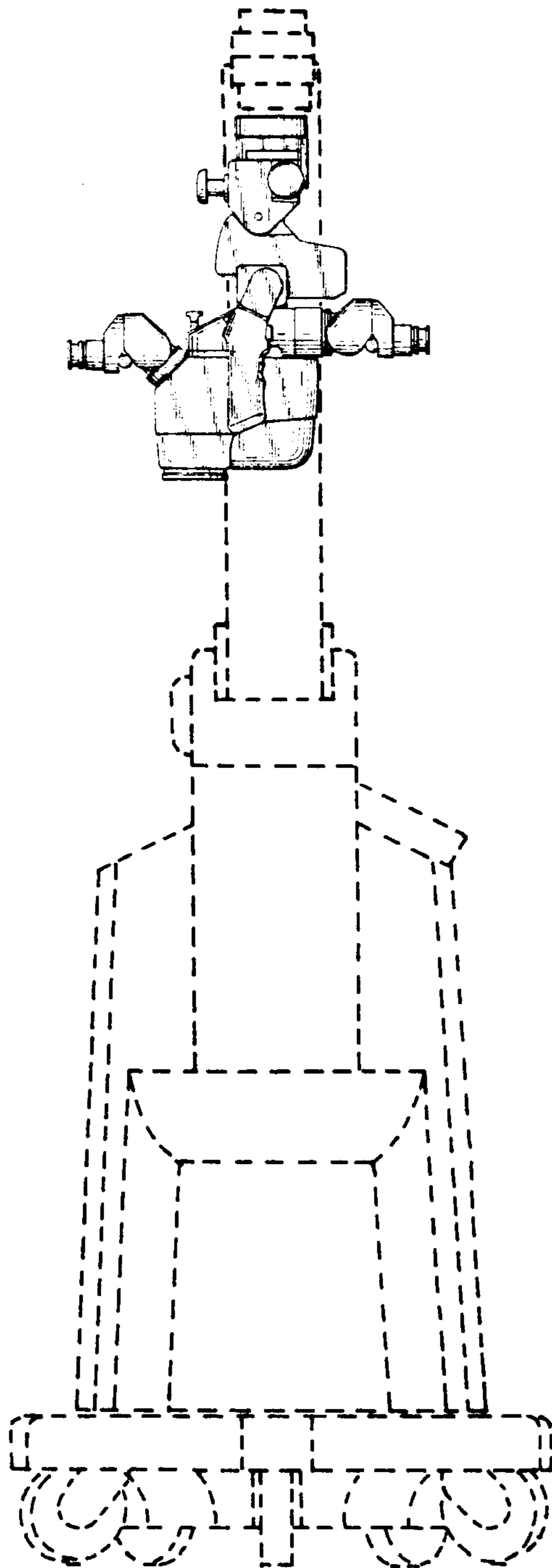


FIG. 8

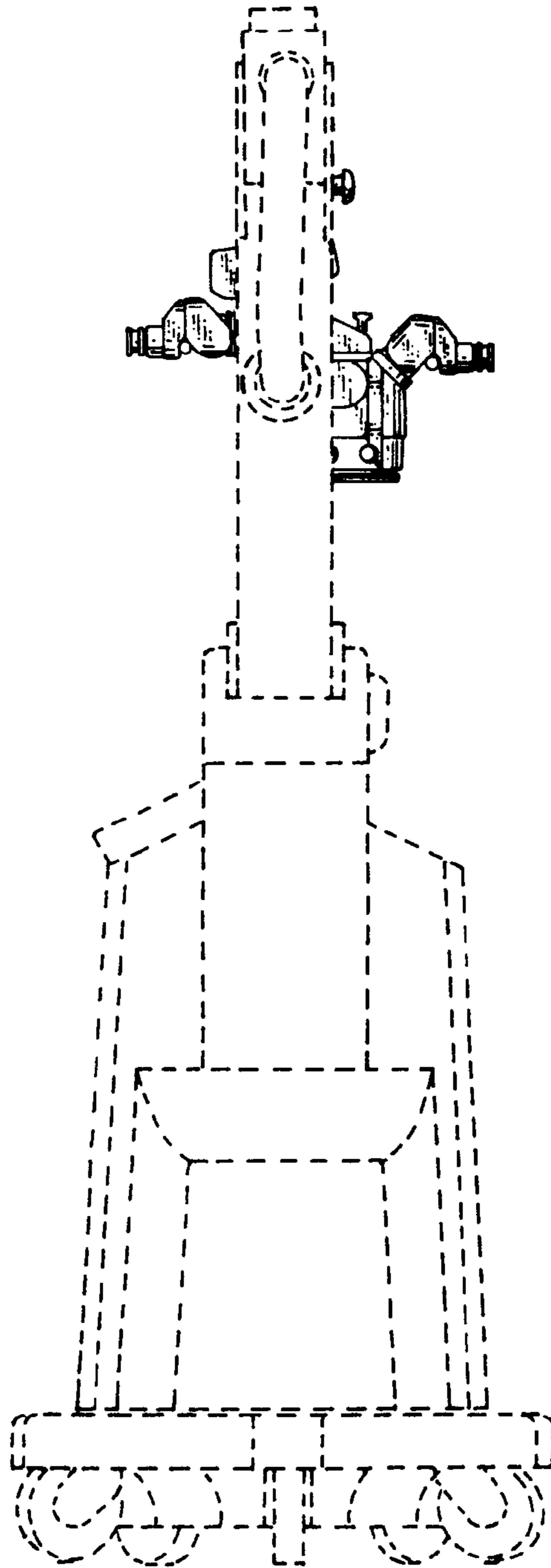


FIG. 9

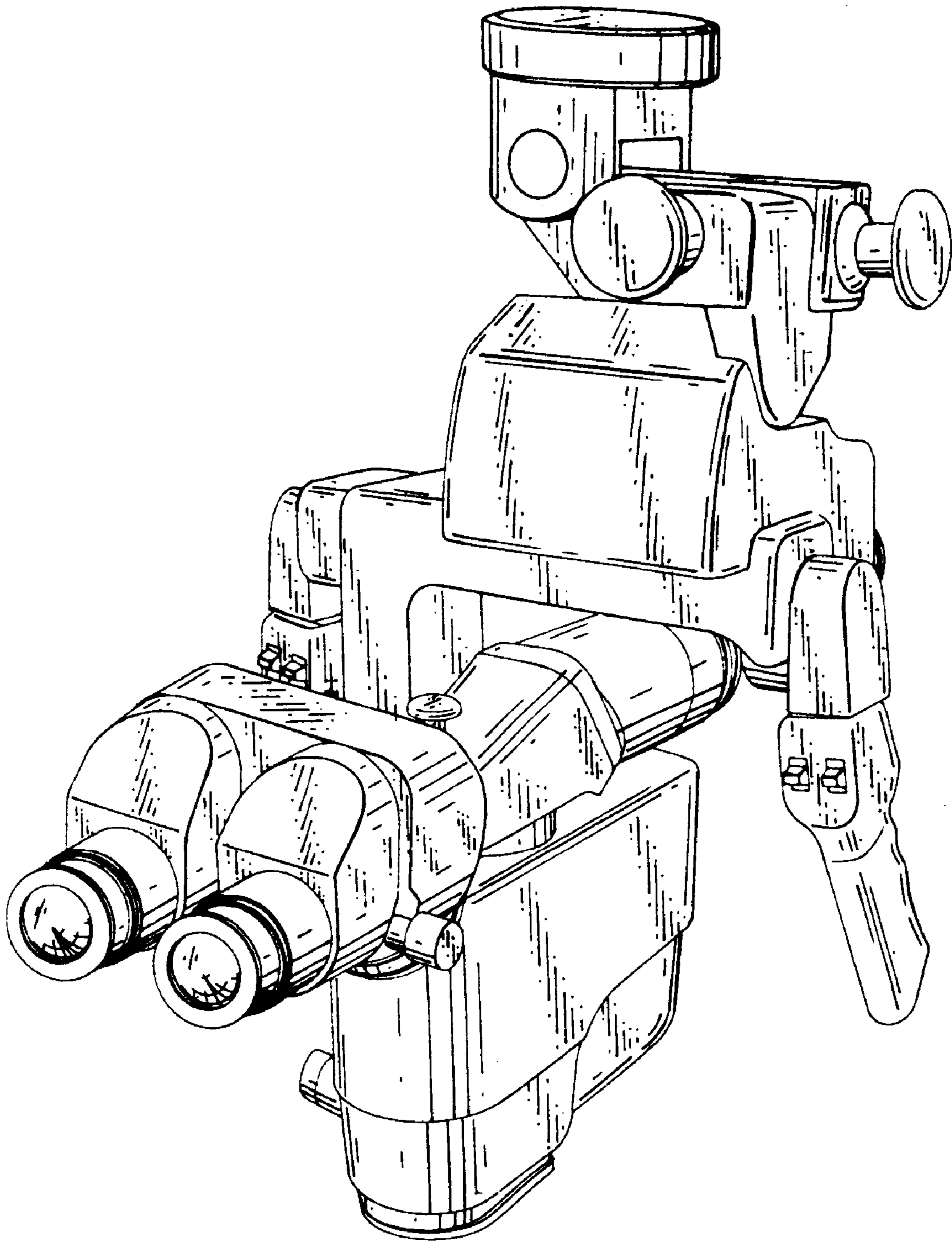


FIG. 10

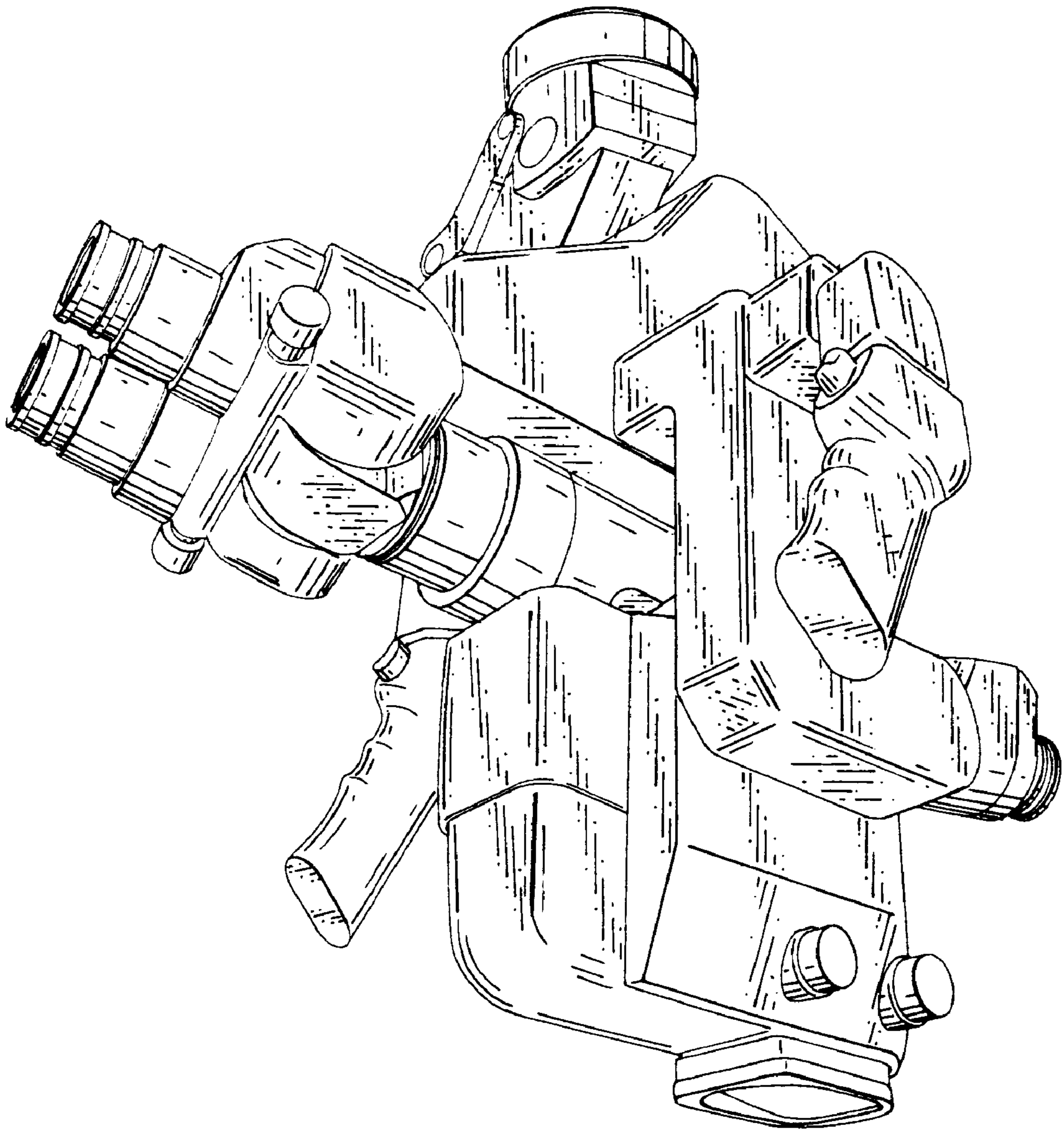


FIG. 11

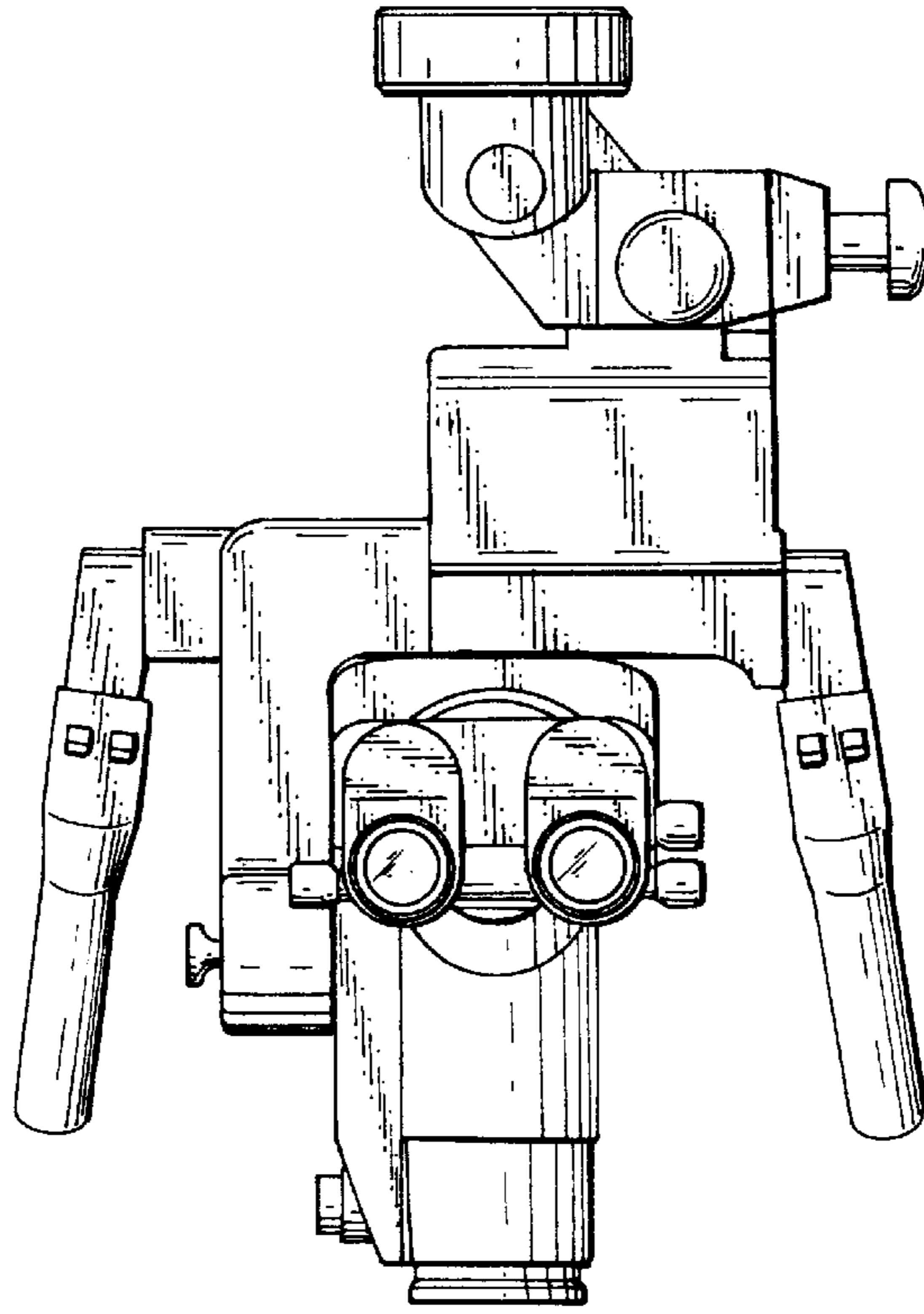


FIG. 12

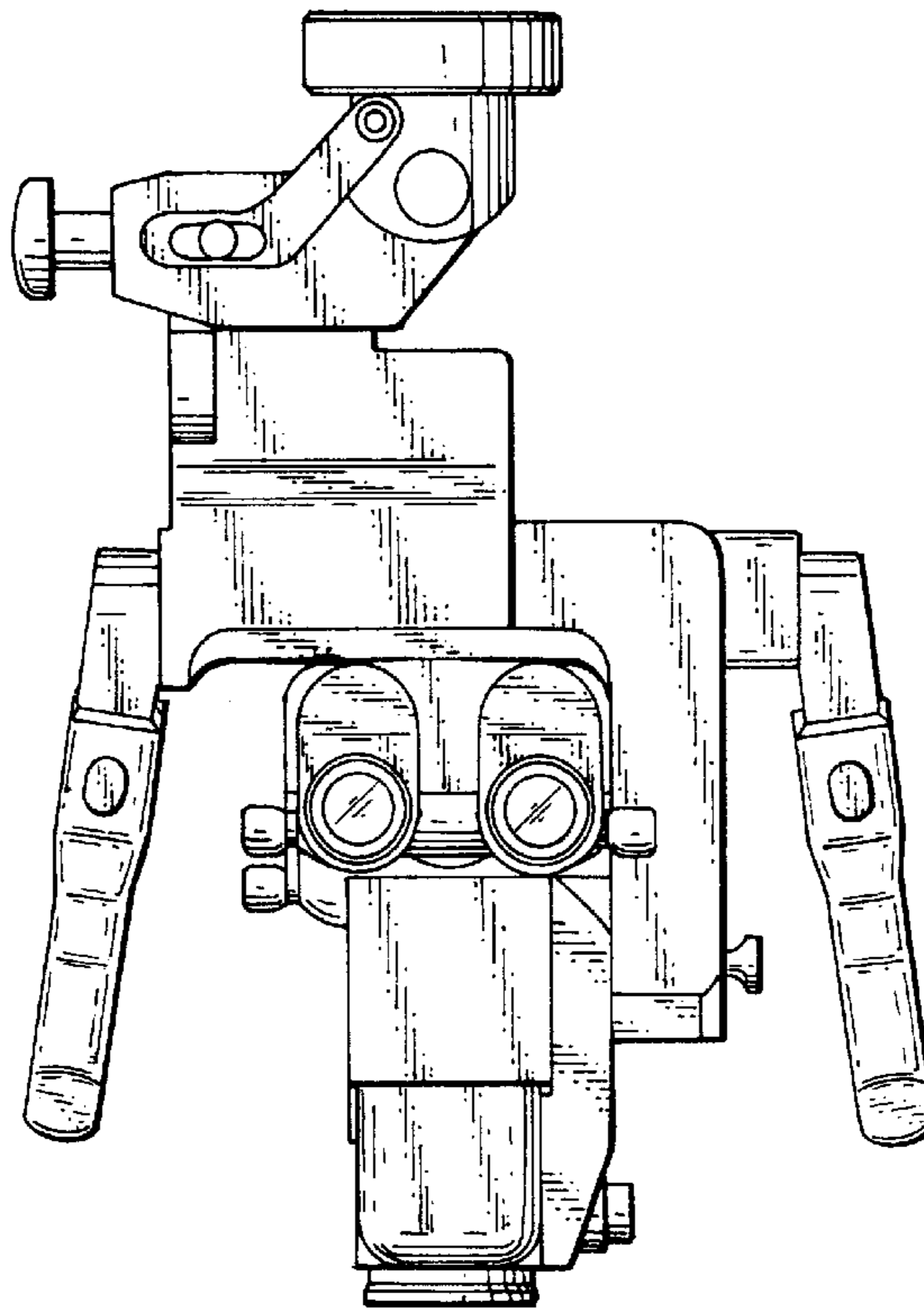


FIG. 13

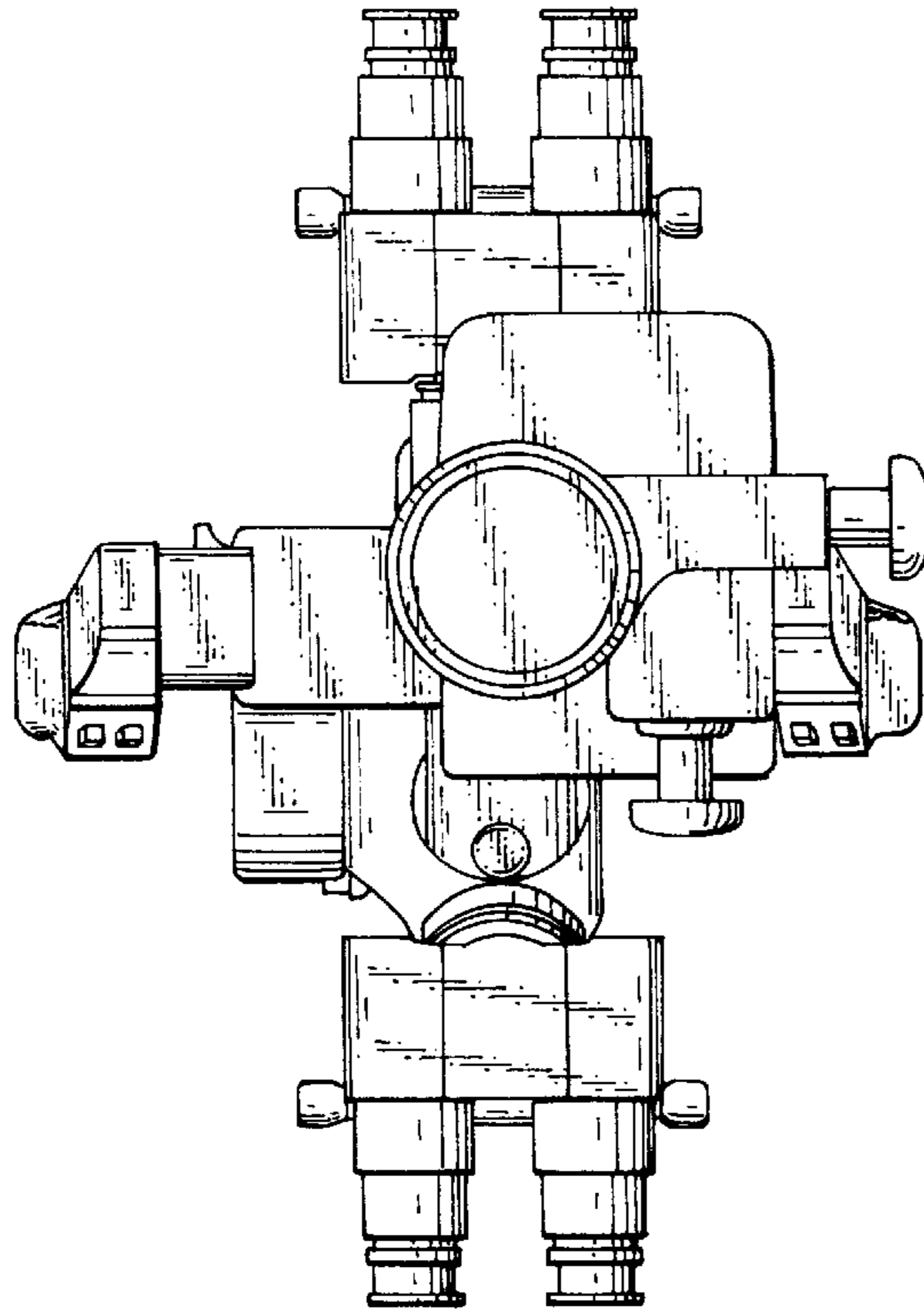


FIG. 14

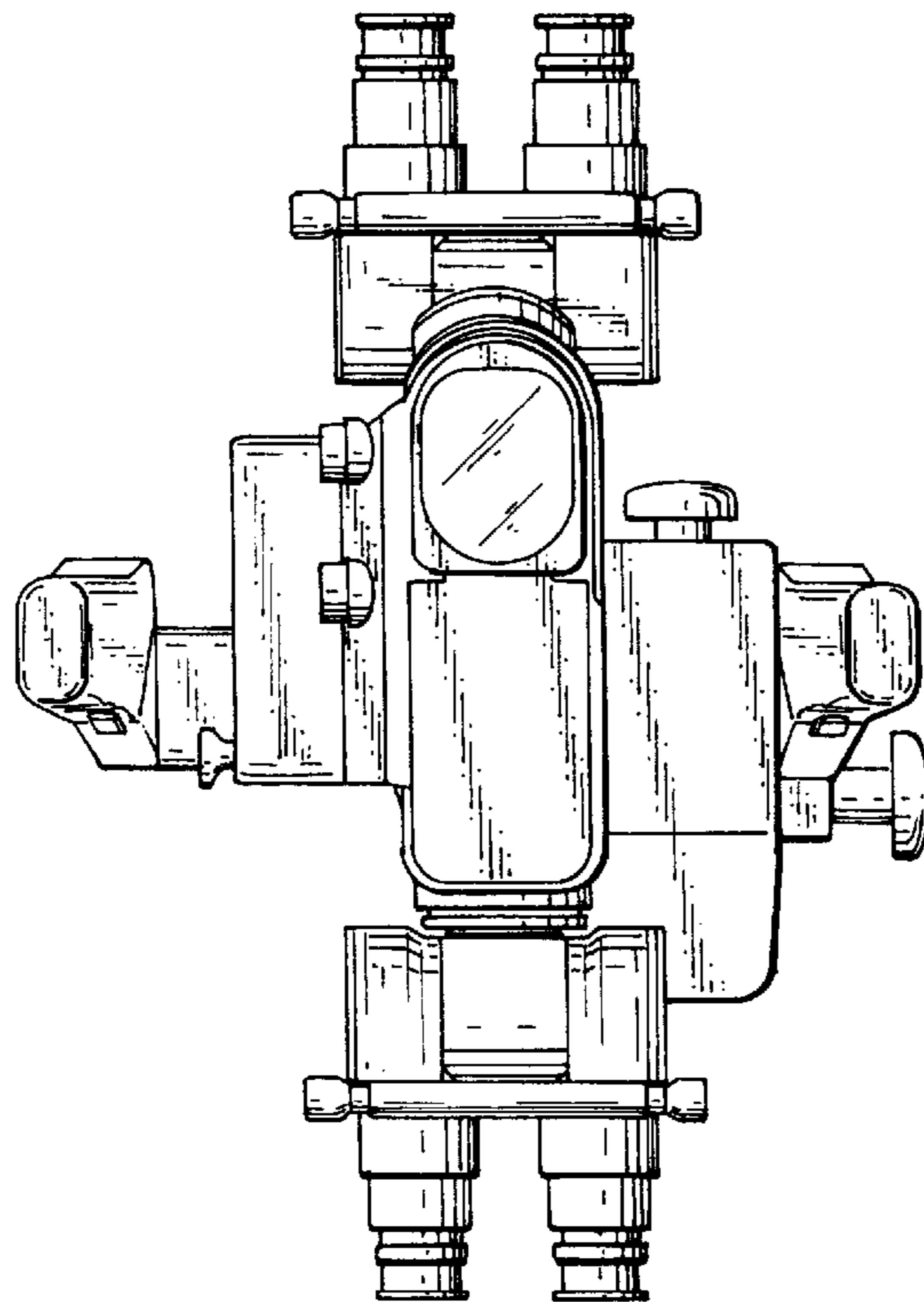


FIG. 15

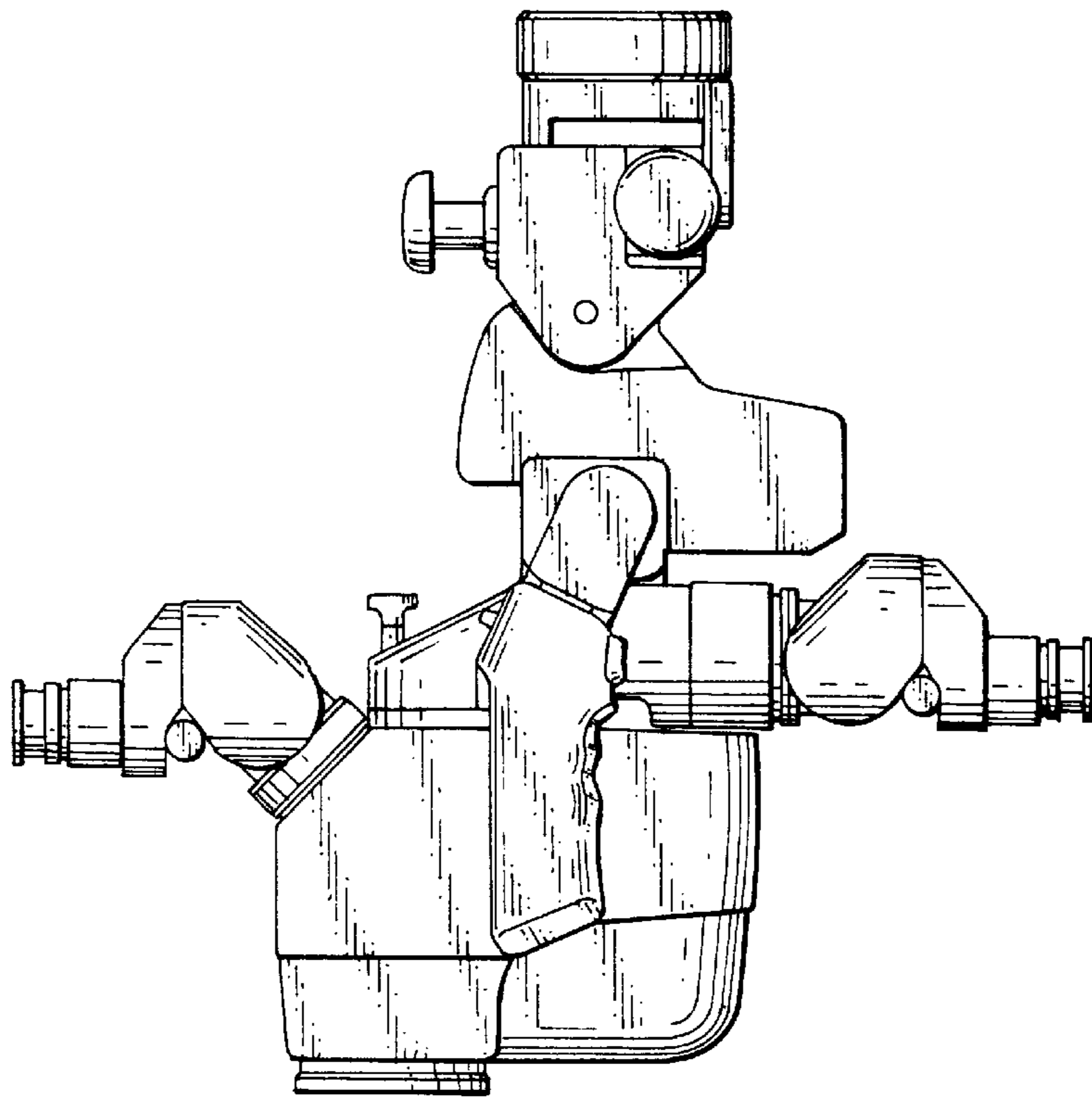


FIG. 16

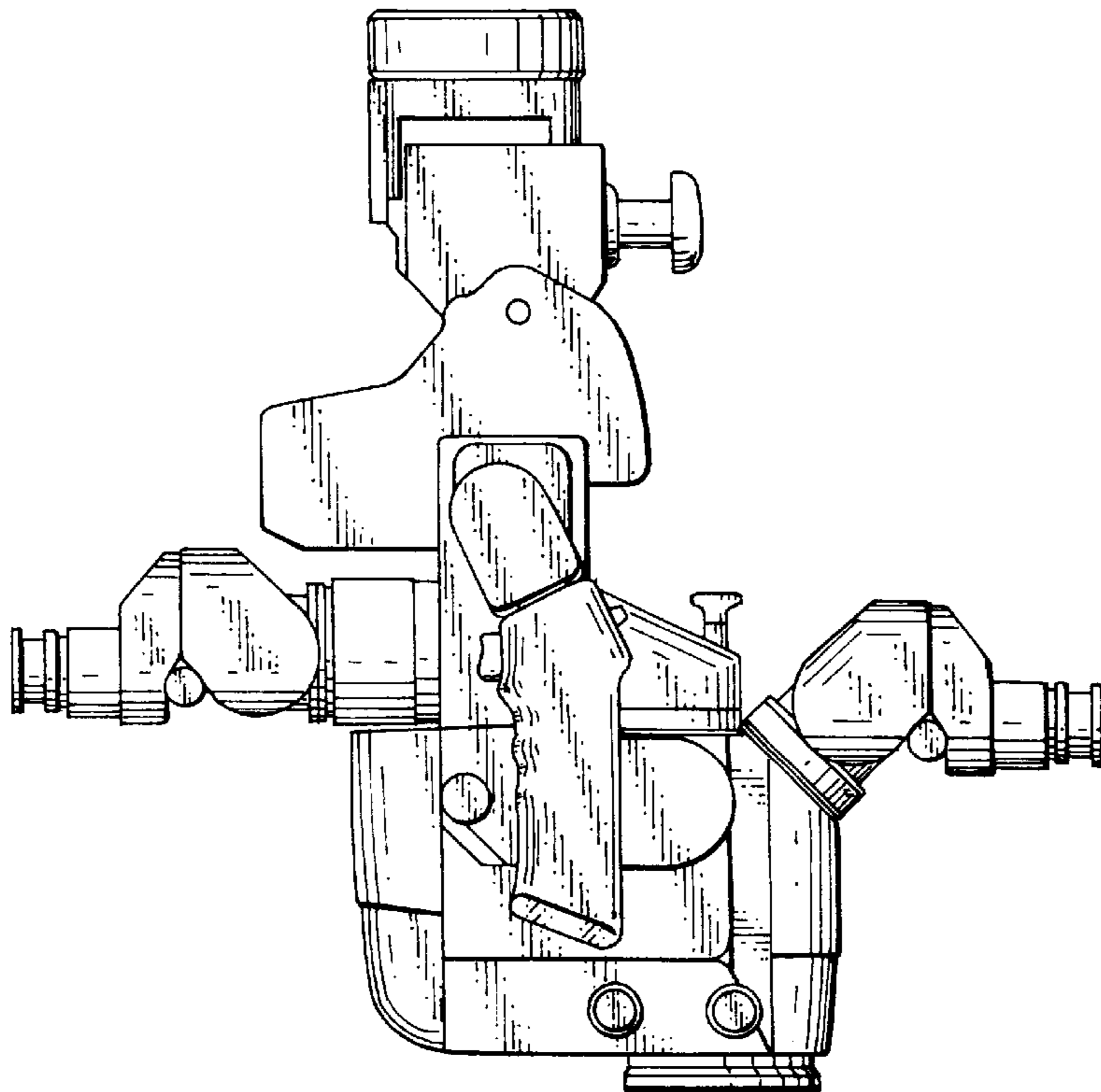


FIG. 17

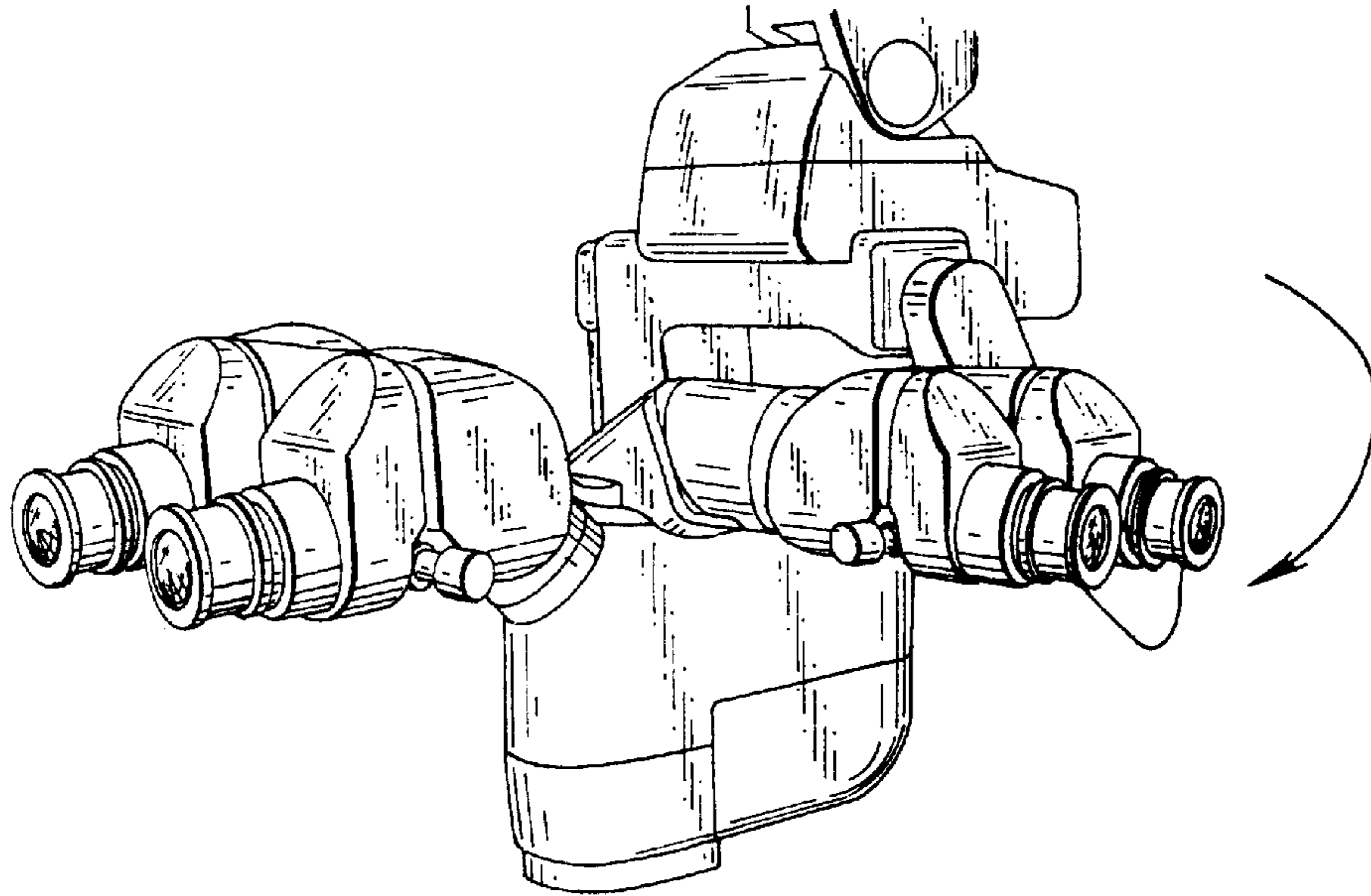


FIG. 18

