



US00D48821S

(12) **United States Design Patent**  
**Wang**

(10) **Patent No.:** **US D488,821 S**

(45) **Date of Patent:** **\*\* Apr. 20, 2004**

(54) **SANDING CENTER**

(76) Inventor: **Chin Feng Wang**, 11F-2, No.43, Chai-I Street, Taichung City (TW)

(\*\*) Term: **14 Years**

(21) Appl. No.: **29/179,678**

(22) Filed: **Apr. 14, 2003**

(51) **LOC (7) Cl.** ..... **15-09**

(52) **U.S. Cl.** ..... **D15/125**

(58) **Field of Search** ..... D15/122, 124, D15/125; 451/64, 65, 114, 124, 158, 178, 231, 259, 296, 364, 391, 461

(56) **References Cited**

**U.S. PATENT DOCUMENTS**

- D282,078 S \* 1/1986 House, II ..... D15/125
- 5,168,656 A \* 12/1992 Jolly et al. .... D15/124 X
- D341,844 S \* 11/1993 Arehart ..... D15/124

- D349,121 S \* 7/1994 Holley et al. .... D15/125
- D355,201 S \* 2/1995 Brickner, Jr. .... D15/125

\* cited by examiner

*Primary Examiner*—Brian N. Vinson

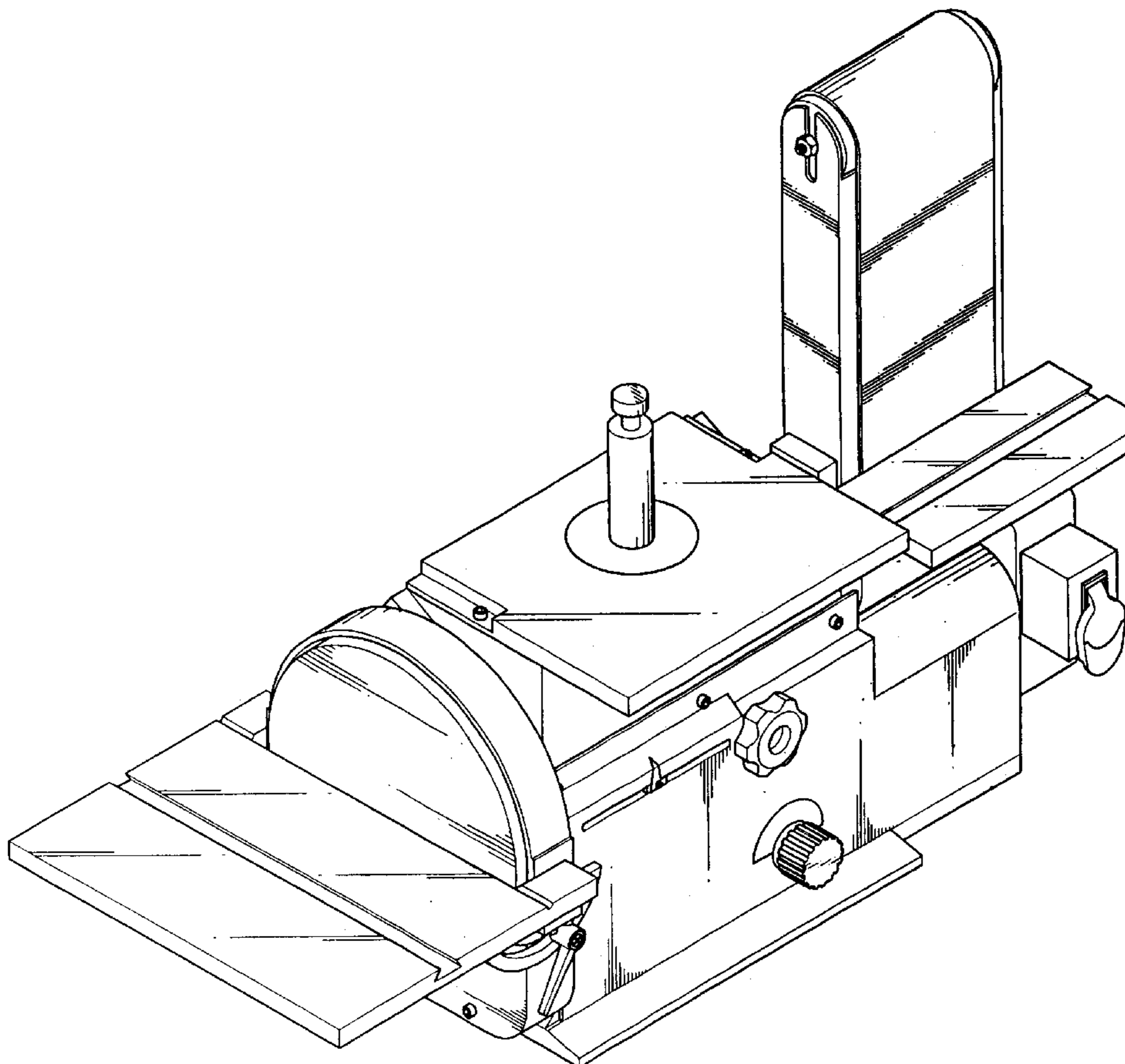
(57) **CLAIM**

The ornamental design for a sanding center, as shown and described.

**DESCRIPTION**

FIG. 1 is a front-right-top perspective view of a sanding center, showing my new design;  
 FIG. 2 is a front elevational view thereof;  
 FIG. 3 is a rear elevational view thereof;  
 FIG. 4 is a left elevational view thereof;  
 FIG. 5 is a right elevational view thereof;  
 FIG. 6 is a top plan view thereof; and,  
 FIG. 7 is a bottom plan view thereof.

**1 Claim, 4 Drawing Sheets**



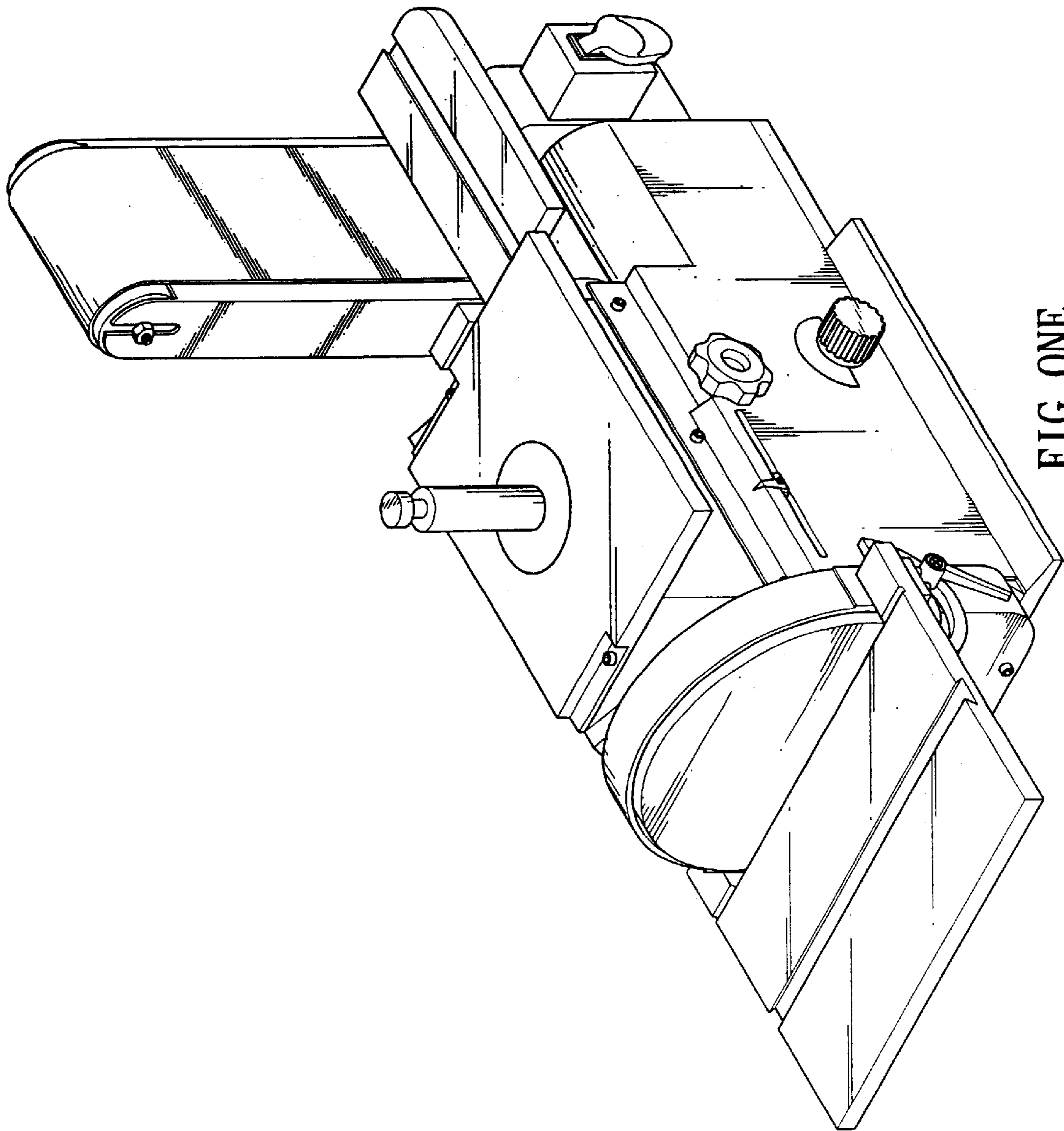


FIG. ONE

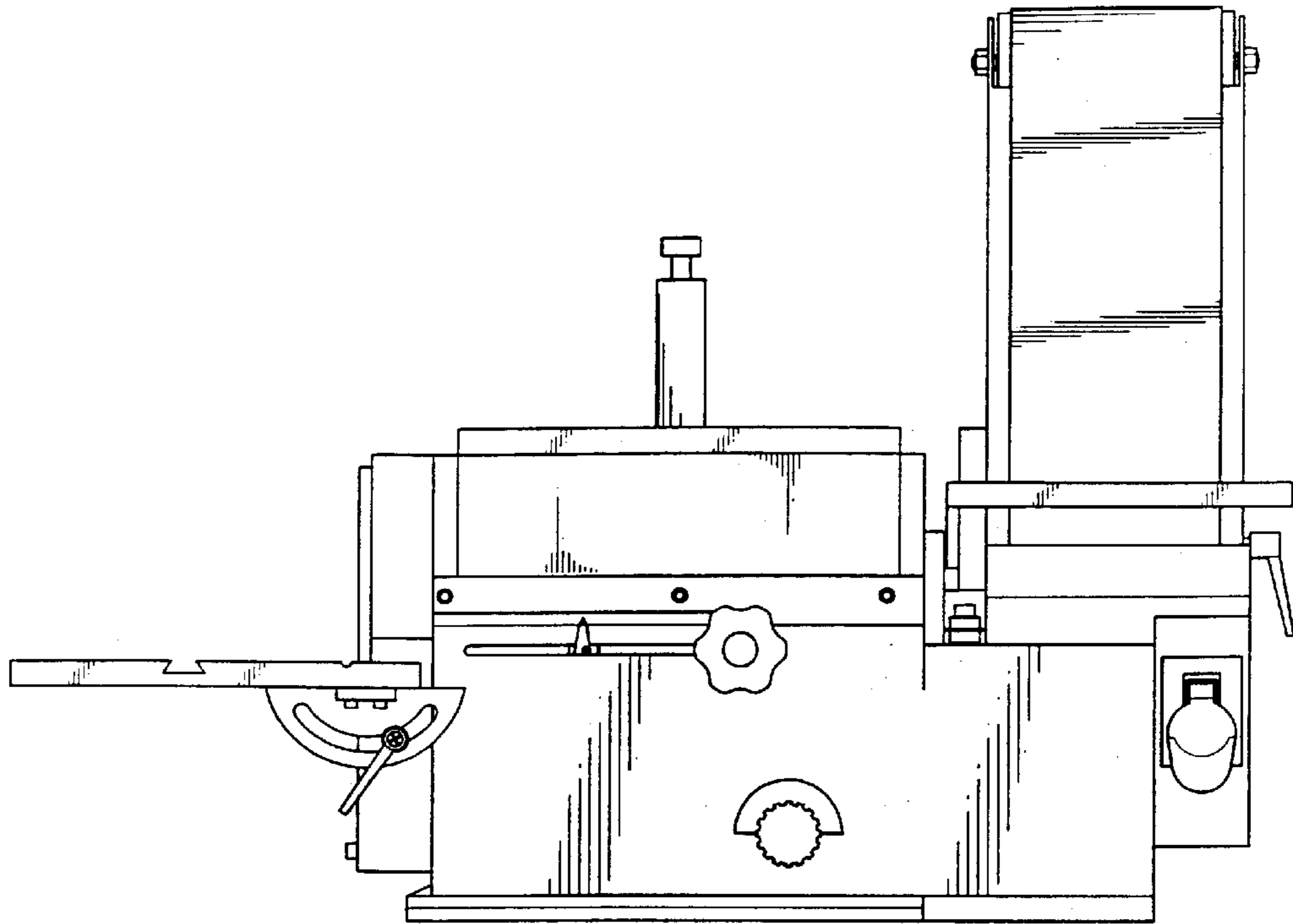


FIG. TWO

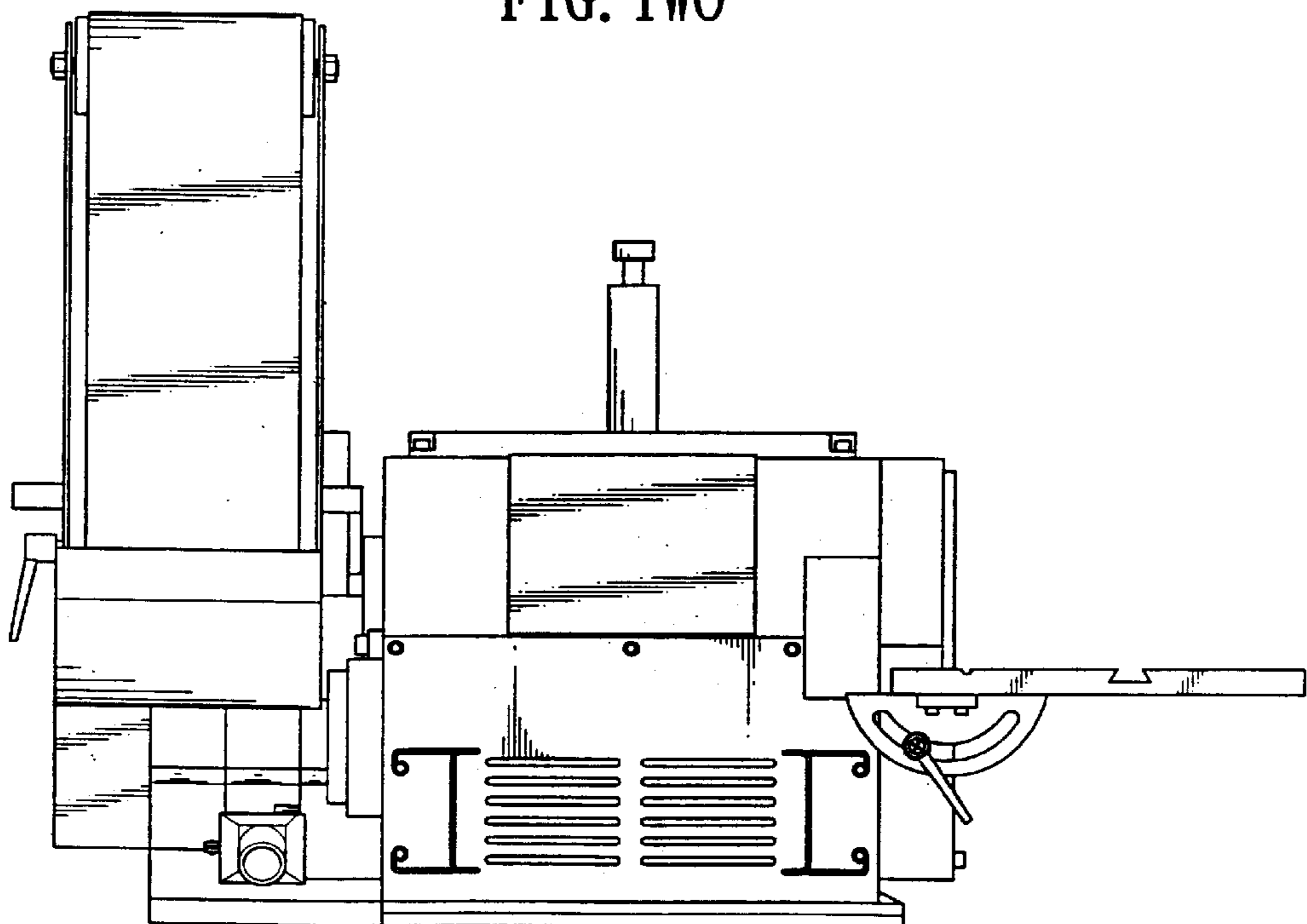


FIG. THREE

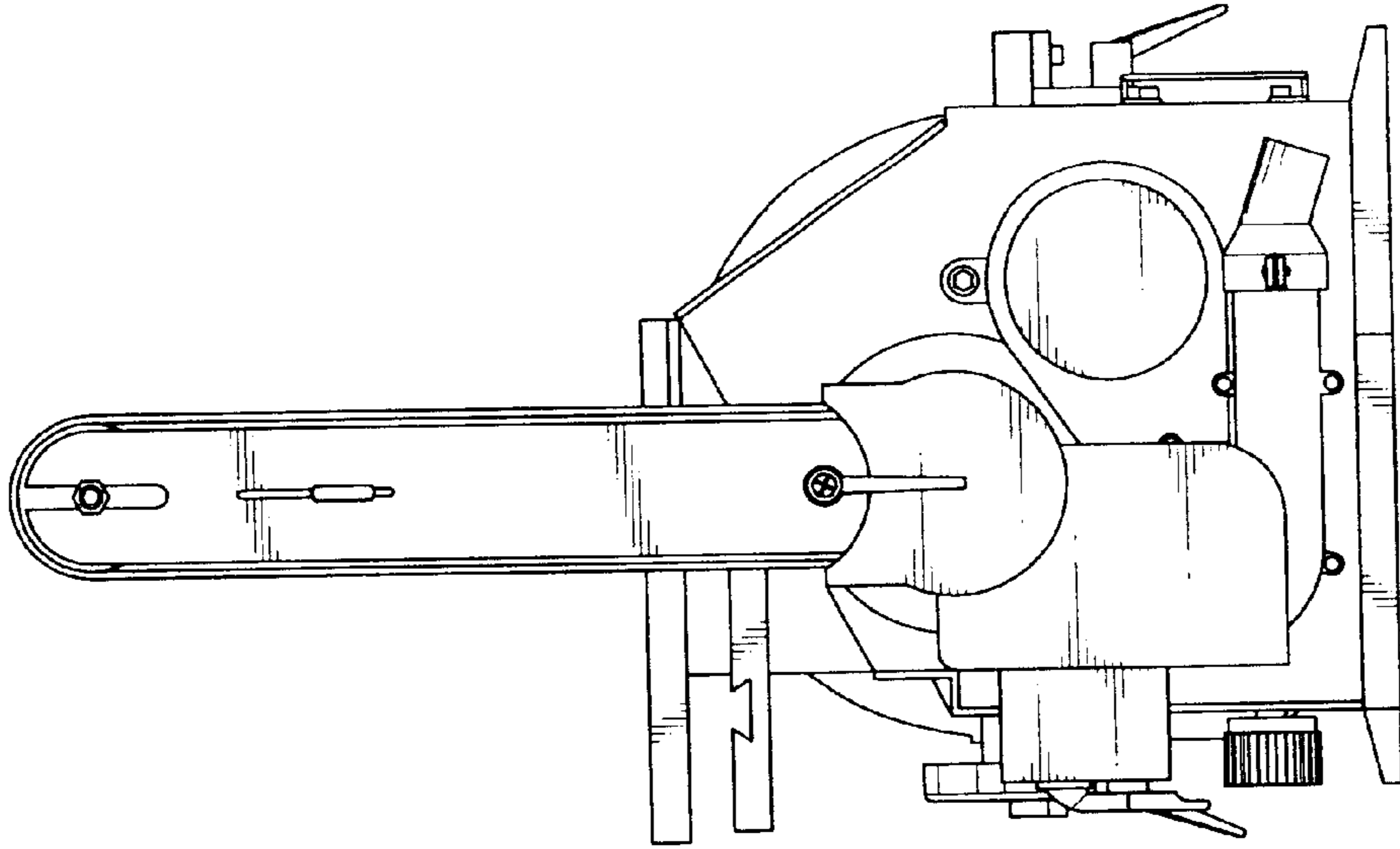


FIG. FIVE

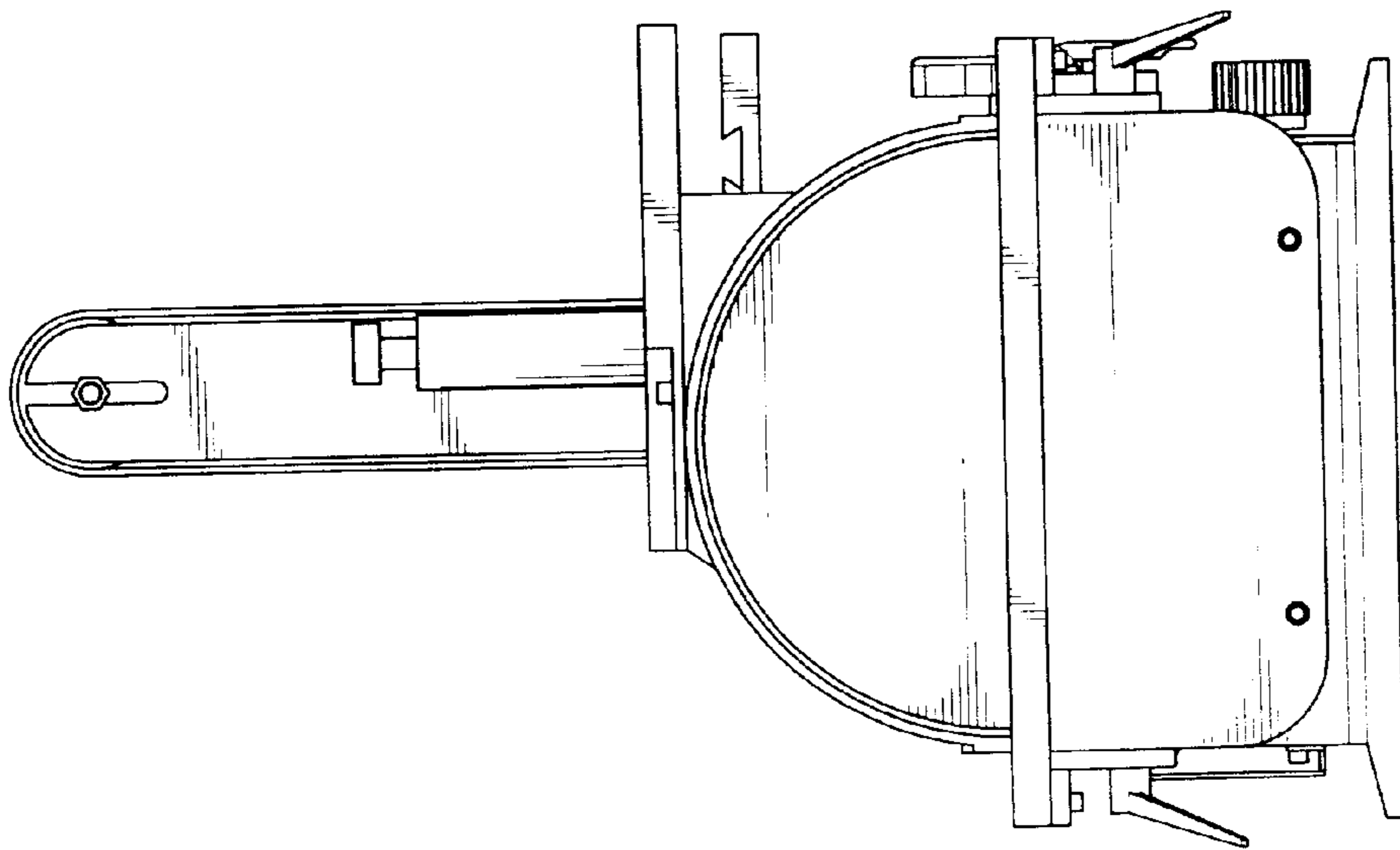


FIG. FOUR

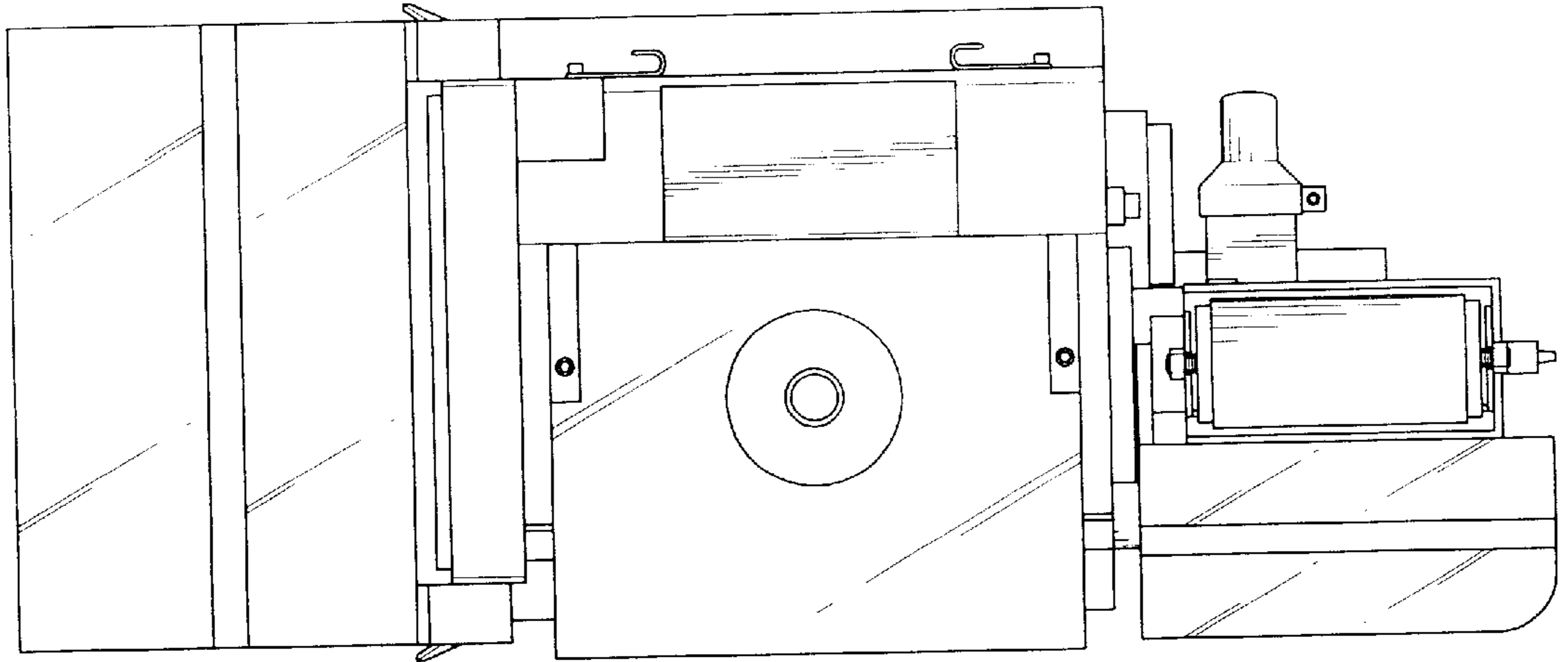


FIG. SIX

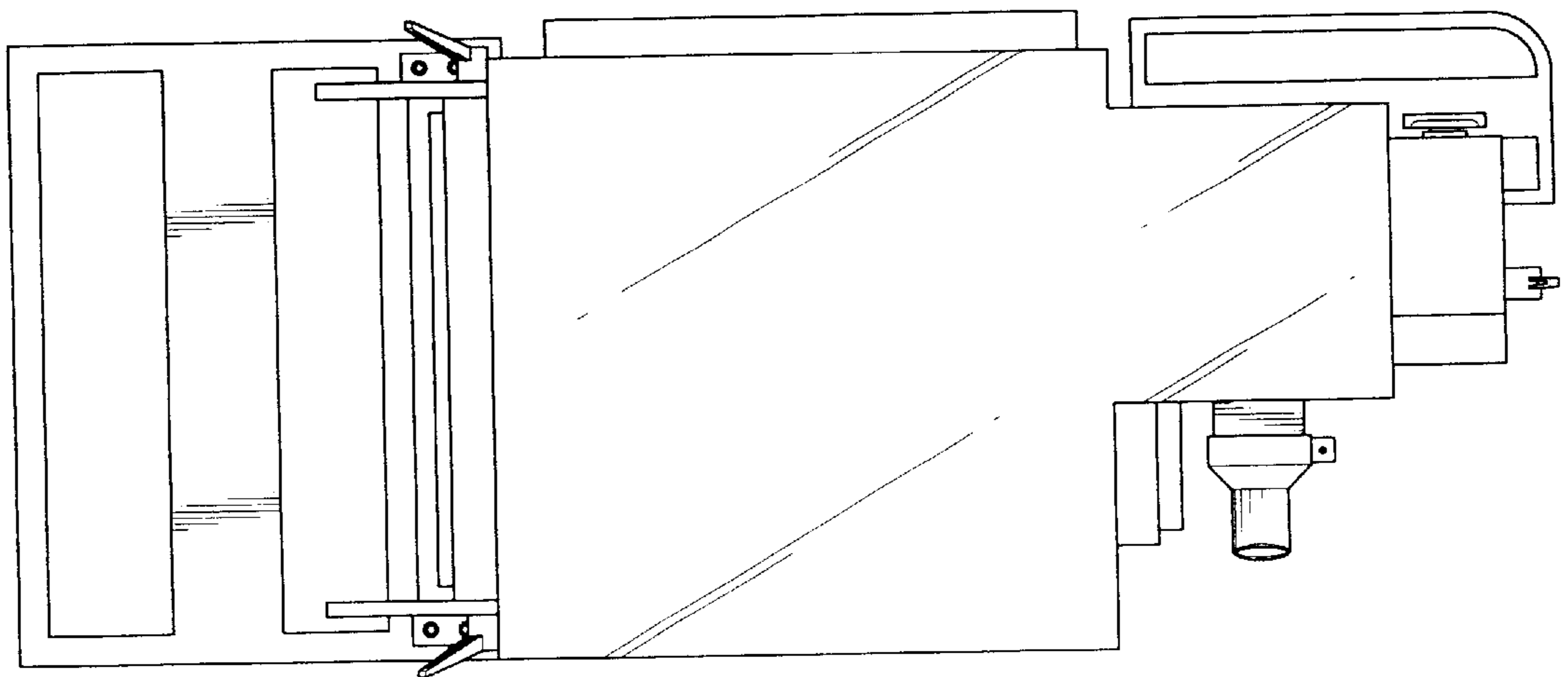


FIG. SEVEN