



US00D488820S

(12) **United States Design Patent**  
**Rozek**

(10) **Patent No.:** **US D488,820 S**

(45) **Date of Patent:** **\*\* Apr. 20, 2004**

(54) **PUMP**

(75) **Inventor:** **Roy J. Rozek**, Plymouth, WI (US)

(73) **Assignee:** **Thomas Industries Inc.**, Sheboygan, WI (US)

(\*\*) **Term:** **14 Years**

(21) **Appl. No.:** **29/178,860**

(22) **Filed:** **Mar. 31, 2003**

(51) **LOC (7) Cl.** ..... **15-02**

(52) **U.S. Cl.** ..... **D15/7**

(58) **Field of Search** ..... D15/7-9; D23/233-237,  
D23/229; 417/423.14, 415

(56) **References Cited**

**U.S. PATENT DOCUMENTS**

D377,967 S	*	2/1997	Rozek et al.	.....	D23/235
D379,996 S	*	6/1997	Leu et al.	.....	D15/9
D382,883 S	*	8/1997	Breitzman et al.	.....	D15/9
D405,455 S	*	2/1999	Leu et al.	.....	D15/9
D444,799 S	*	7/2001	Thomas, Jr. et al.	.....	D15/9
6,331,101 B2	*	12/2001	Leu et al.	.....	417/423.14
D464,063 S	*	10/2002	Thomas, Jr. et al.	.....	D15/9

**OTHER PUBLICATIONS**

Applicant's Exhibit A—Eight Photocopies showing GAST pump.

Applicant's Exhibit B—Thomas Industries, Inc.; sales literature for WOB-L® Piston, Pumps and Compressors, 011 Series; Nov. 2001; Form No. 850-2327; Sheboygan, Wisconsin, USA.

Applicant's Exhibit C—Thomas Industries, Inc.; sales literature for WOB-L® Piston, Pumps and Compressors, 607/668/669/688/689 Series; Jun. 2003, Form No. 850-2594; Sheboygan, Wisconsin, USA.

Applicant's Exhibit D—Thomas Industries, Inc.; sales literature for WOB-L® Piston, Pumps and Compressors, 012 Series; Feb. 2002; Form No. 850-2276; Sheboygan, Wisconsin, USA.

Applicant's Exhibit E—Thomas Industries, Inc.; sales literature for Diaphragm Pumps and Compressors 907/910/905/915/917 Series; May 2002; Form No. 850-2434; Sheboygan, Wisconsin, USA.

\* cited by examiner

*Primary Examiner*—Ralf Seifert

(74) *Attorney, Agent, or Firm*—Quarles & Brady LLP

(57) **CLAIM**

The ornamental design for a pump, as shown and described.

**DESCRIPTION**

FIG. 1 is a perspective view of a pump showing my new design;

FIG. 2 is a front side elevational view thereof;

FIG. 3 is a rear side elevational view thereof;

FIG. 4 is a right end elevational view thereof;

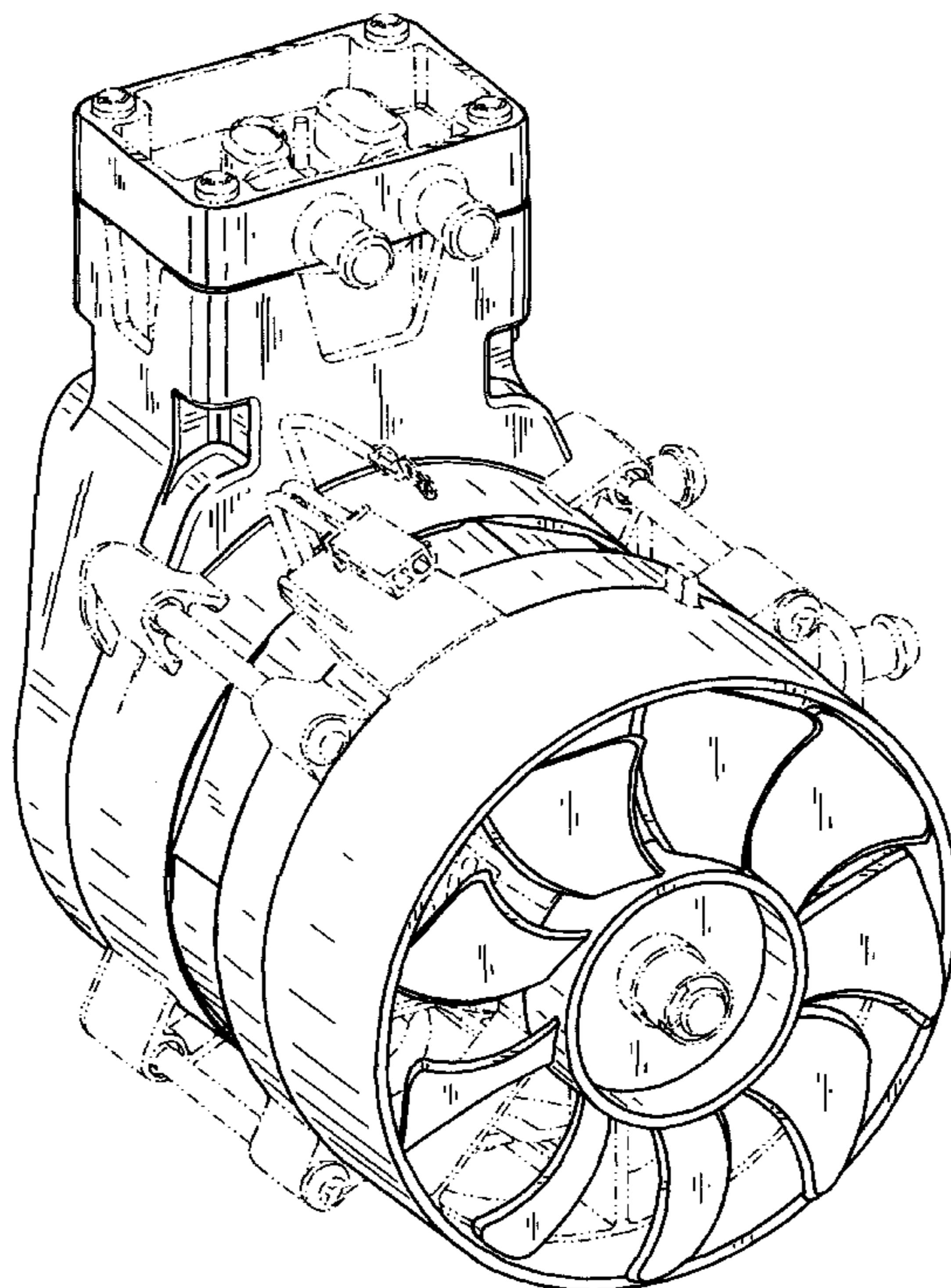
FIG. 5 is a left end elevational view thereof;

FIG. 6 is a top elevational view thereof; and,

FIG. 7 is a bottom elevational view thereof.

The broken line representations of portions of the pump in FIGS. 1-7 do not limit the claimed design.

**1 Claim, 6 Drawing Sheets**



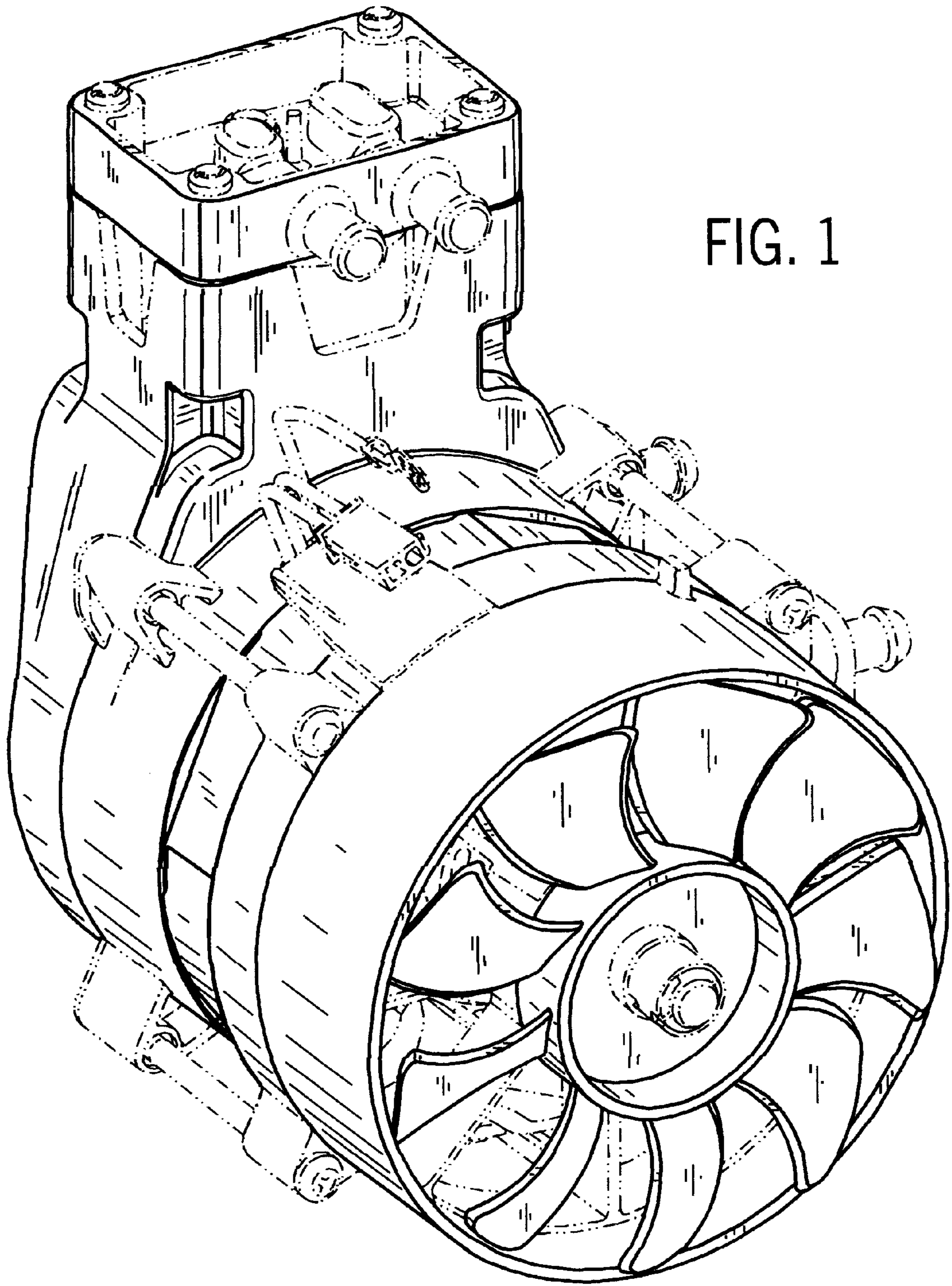


FIG. 1

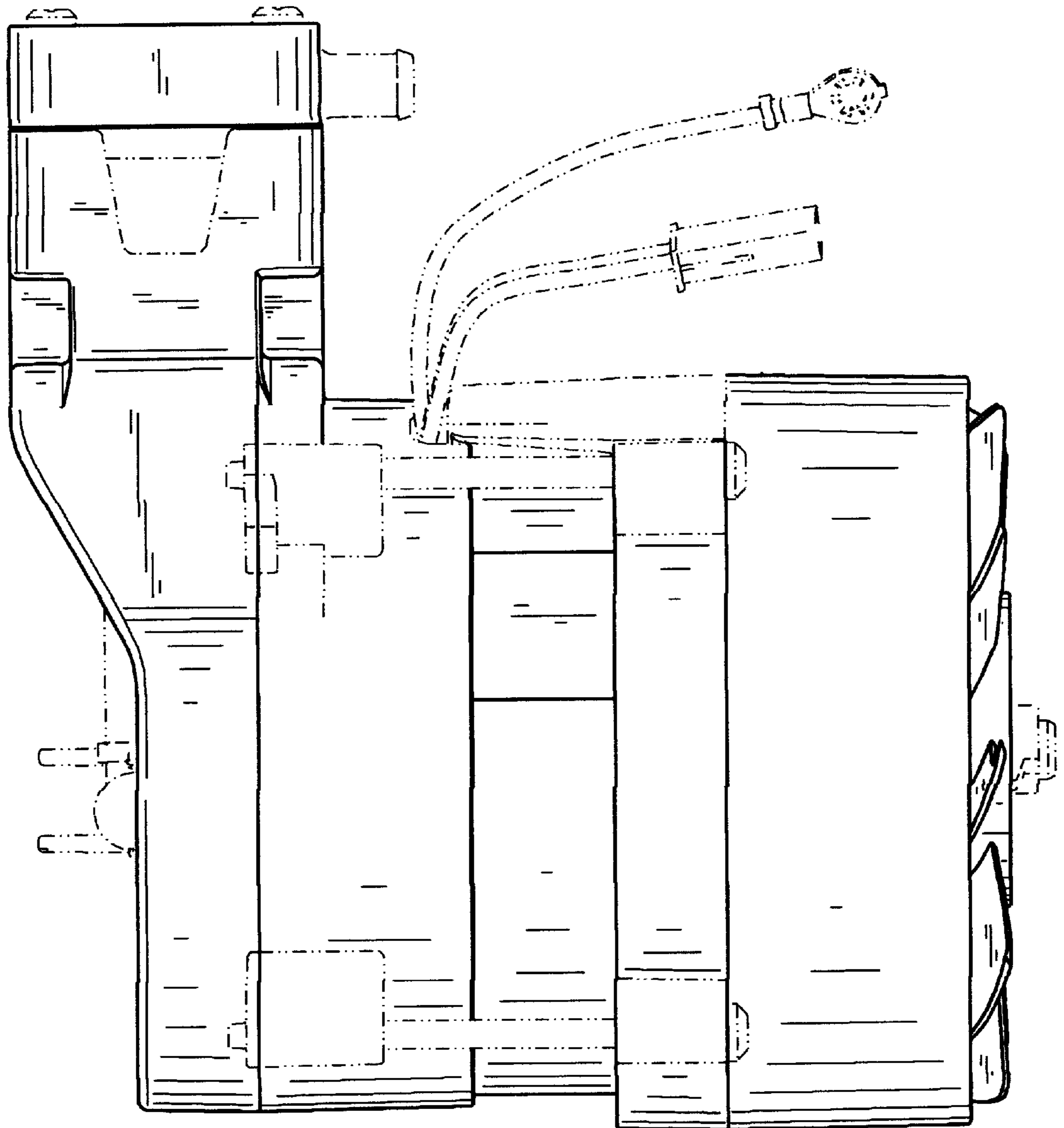


FIG. 2

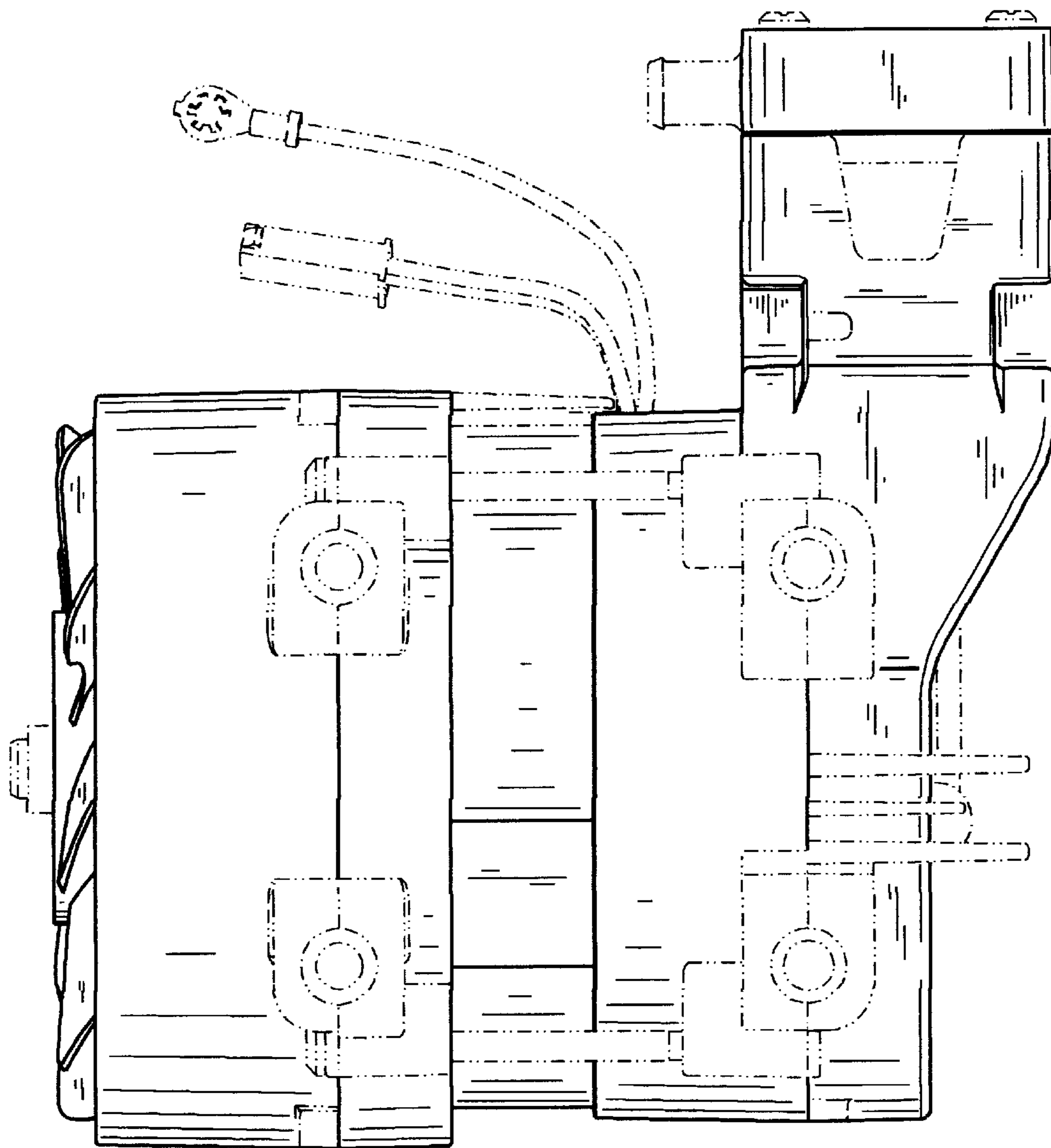


FIG. 3

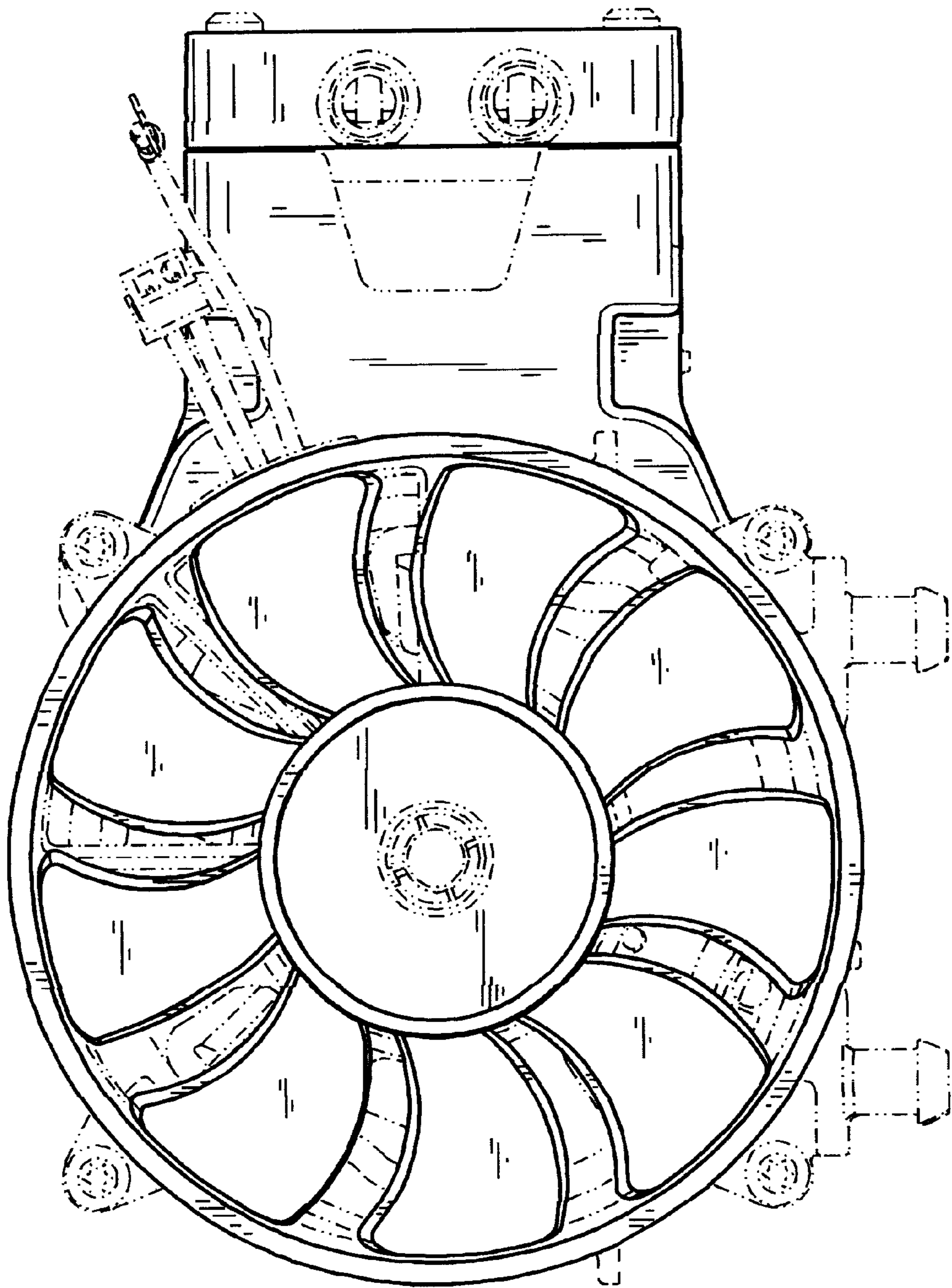


FIG. 4

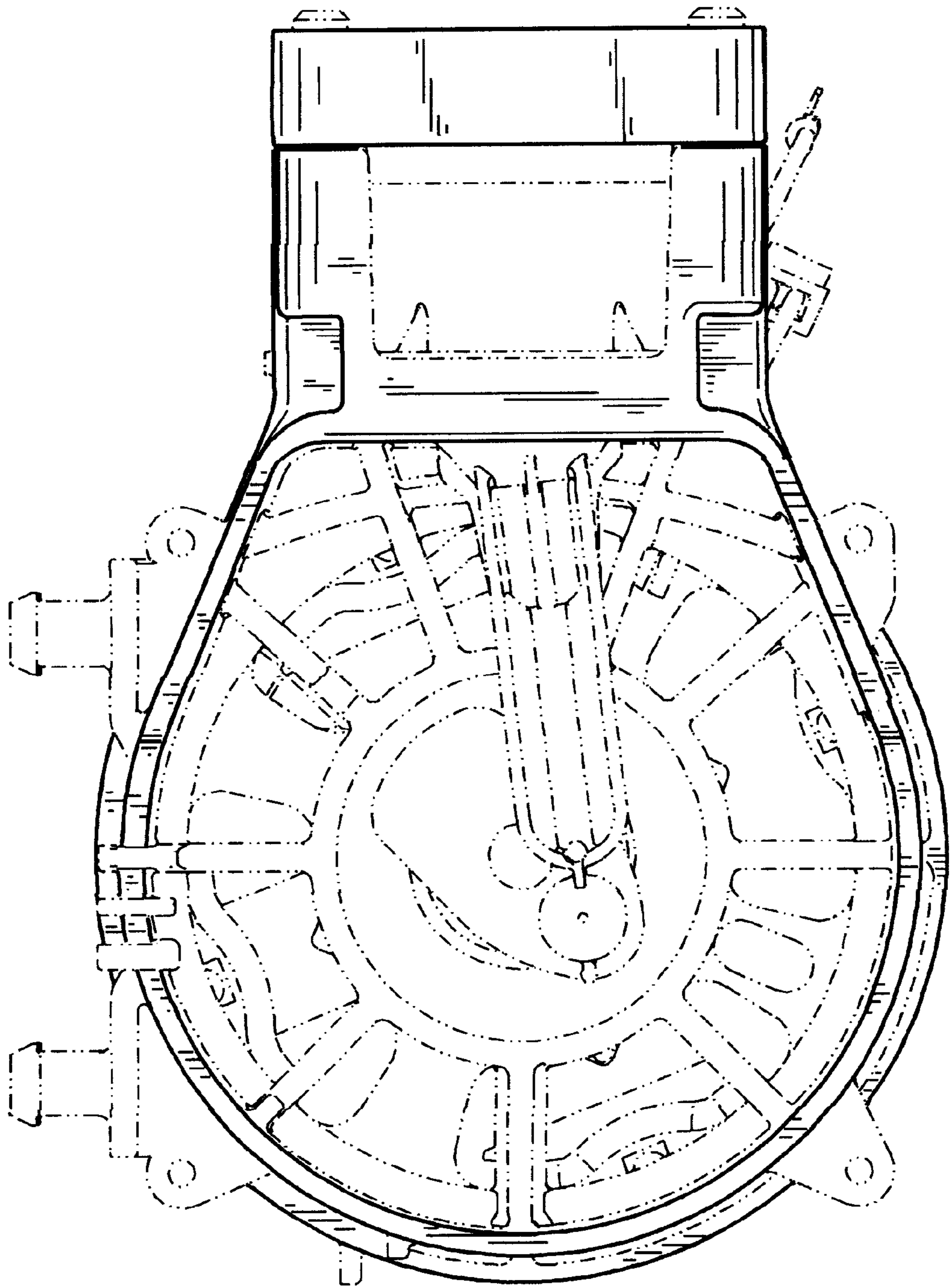


FIG. 5

FIG. 6

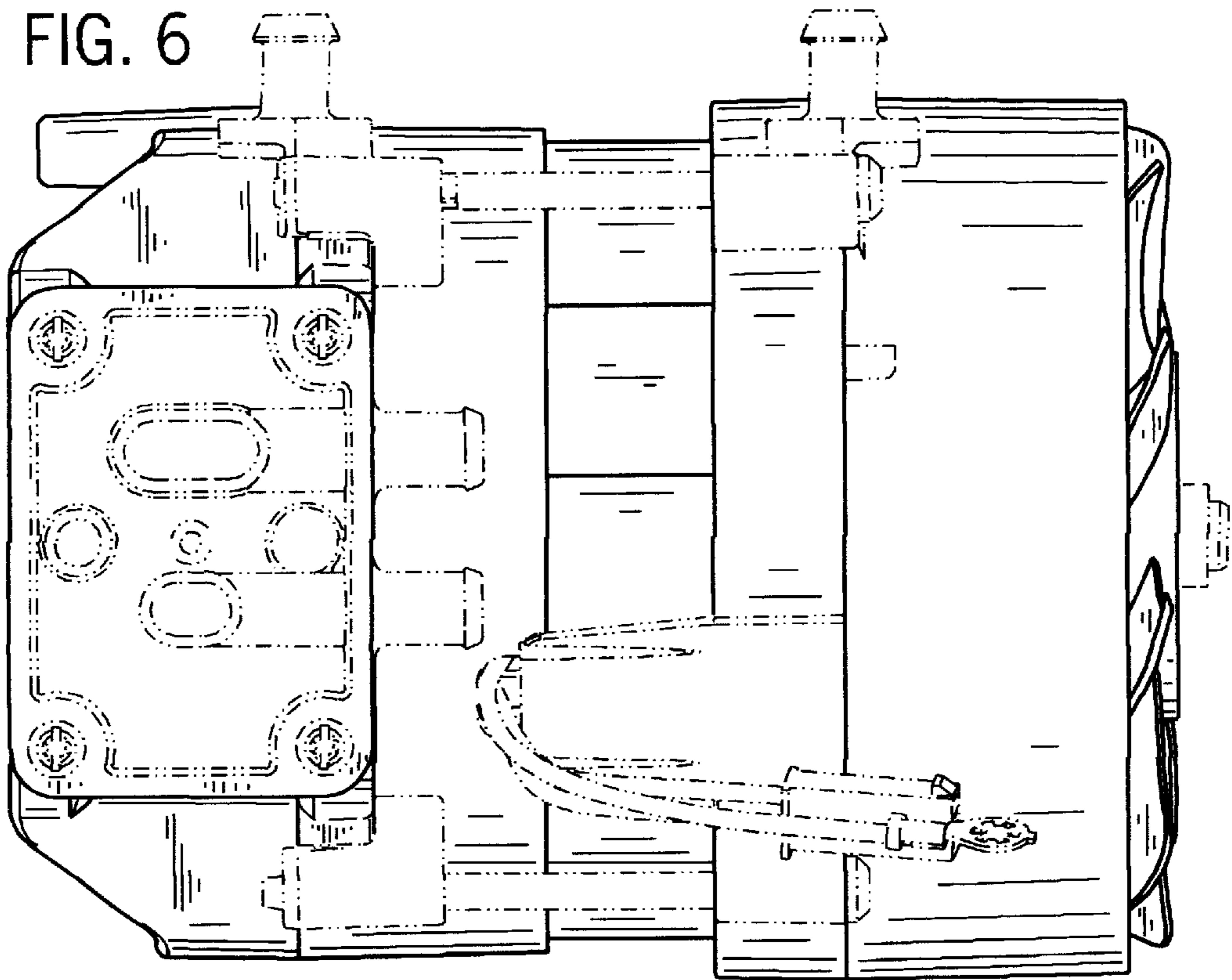


FIG. 7

