



US00D488817S

(12) **United States Design Patent**
Wadsworth et al.

(10) **Patent No.:** **US D488,817 S**

(45) **Date of Patent:** **** Apr. 20, 2004**

(54) **CARTRIDGE FOR A DATA STORAGE DISK**

(75) Inventors: **Edwin Wadsworth**, Longmont, CO
(US); **Stephen A. Misuta**, Superior, CO
(US); **Brian L. Rappel**, Lyons, CO
(US); **Joseph Paul Manes**, Arvada, CO
(US); **Shane Nowell**, Longmont, CO
(US)

(73) Assignee: **DPHI Acquisitions, Inc.**, Boulder, CO
(US)

(**) Term: **14 Years**

(21) Appl. No.: **29/160,536**

(22) Filed: **May 10, 2002**

(51) **LOC (7) Cl.** **14-02**

(52) **U.S. Cl.** **D14/478**

(58) **Field of Search** D14/432-3, 436,
D14/474, 478-80; 360/60, 129, 131-3,
135, 97.01-99.12; 206/307, 308.3, 312,
472; 361/272, 273, 291, 77.2

(56) **References Cited**

U.S. PATENT DOCUMENTS

D311,182 S * 10/1990 Nash et al.
D312,250 S * 11/1990 Sasaki et al.

D356,787 S * 3/1995 Miyazaki
D363,711 S * 10/1995 Happo
D371,548 S * 7/1996 Yamamoto et al.
D377,344 S * 1/1997 Yamamoto et al.
D405,438 S * 2/1999 Nowell et al.
D408,808 S * 4/1999 Nowell et al.

* cited by examiner

Primary Examiner—M. H. Tung

(74) *Attorney, Agent, or Firm*—MacPherson Kwok Chen &
Heid LLP

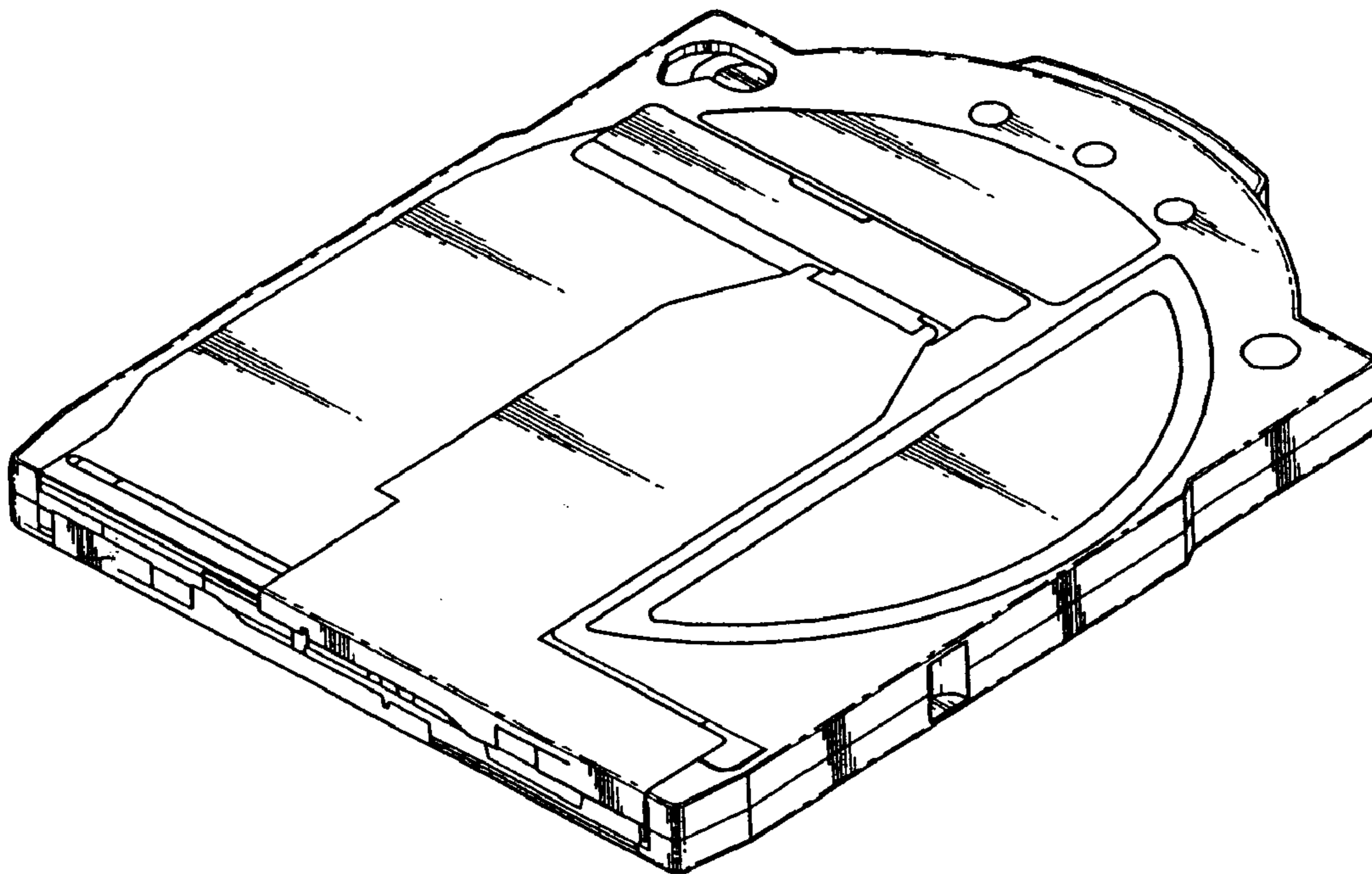
(57) **CLAIM**

The ornamental design for a cartridge for a data storage disk,
as shown and described.

DESCRIPTION

FIG. 1 is a front, right elevation view of a cartridge for a data
storage disk, on a reduced scale;
FIG. 2 is a front, left elevation view thereof, on a reduced
scale;
FIG. 3 is a top plan view thereof;
FIG. 4 is a bottom plan view thereof;
FIG. 5 is a front view thereof;
FIG. 6 is a back view thereof;
FIG. 7 is a right view thereof; and,
FIG. 8 is a left view thereof.

1 Claim, 3 Drawing Sheets



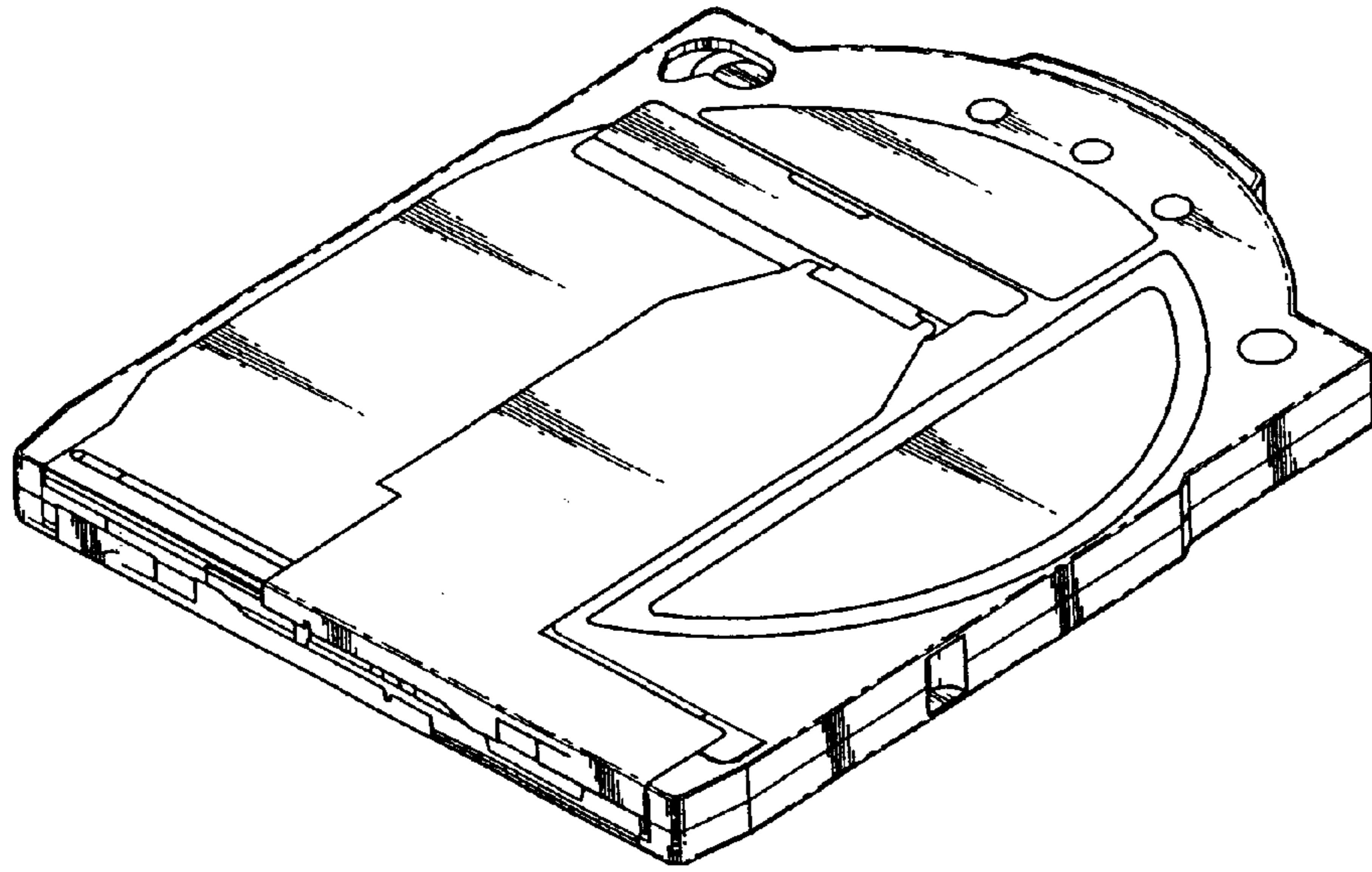


FIG. 1

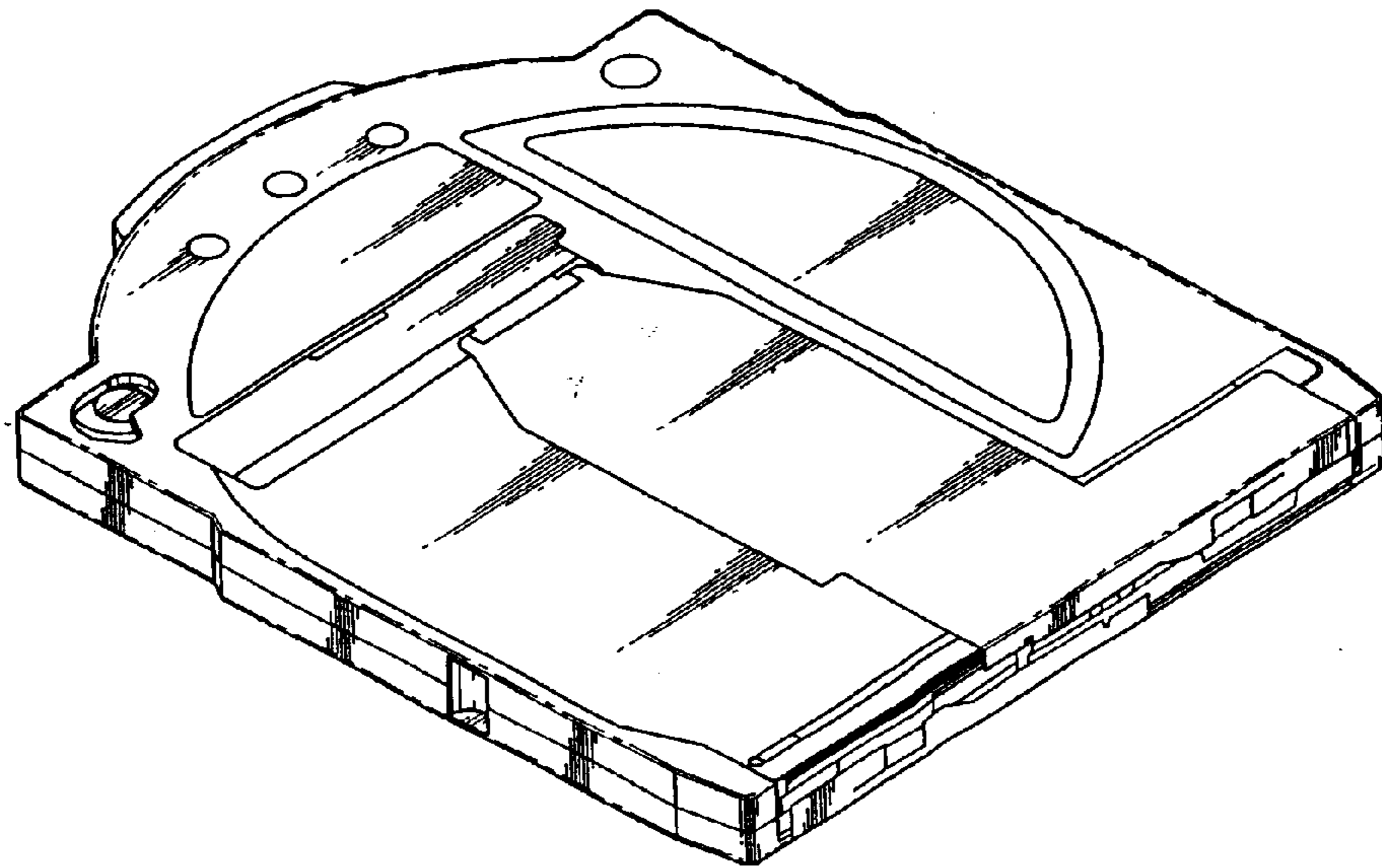


FIG. 2

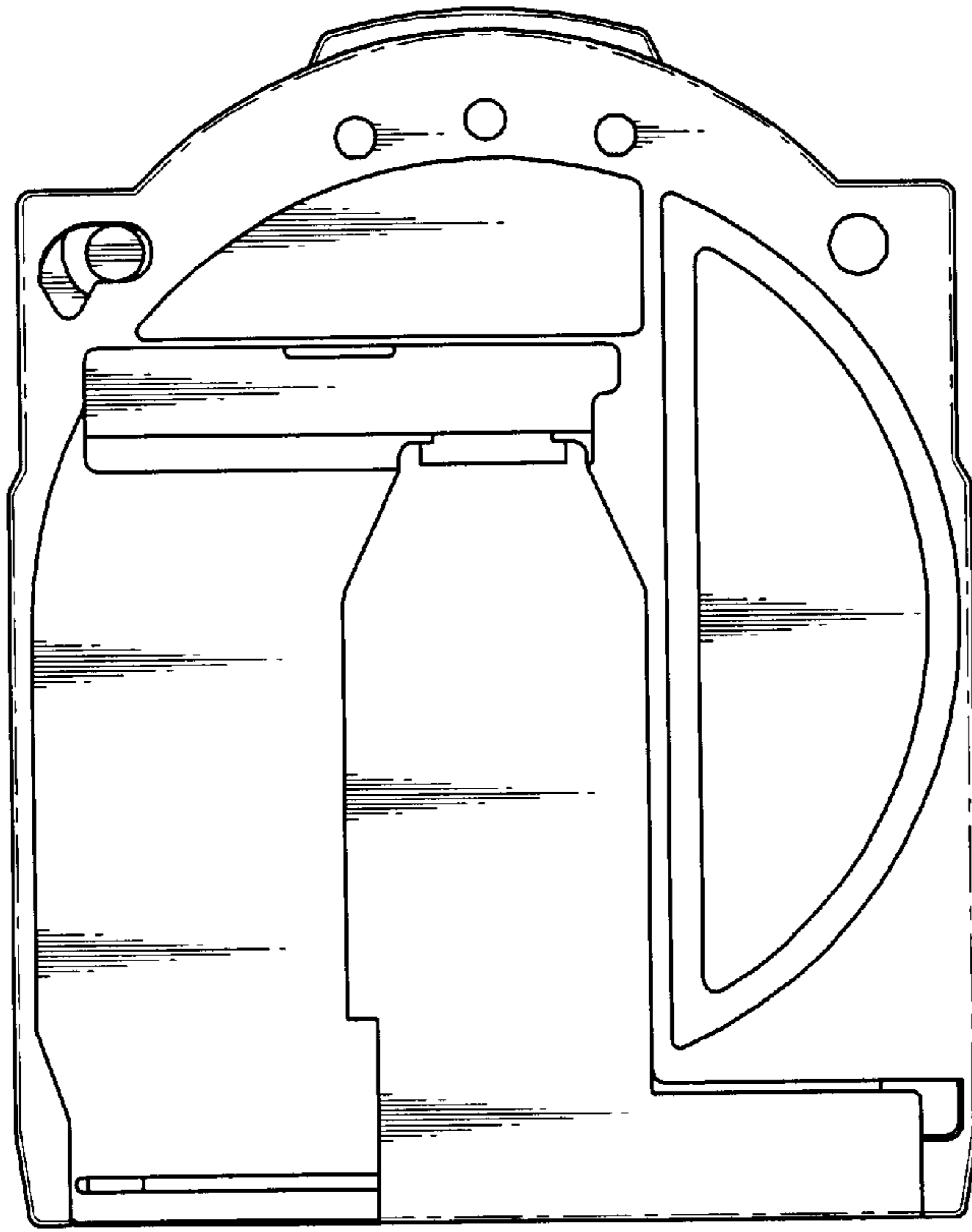


FIG. 3

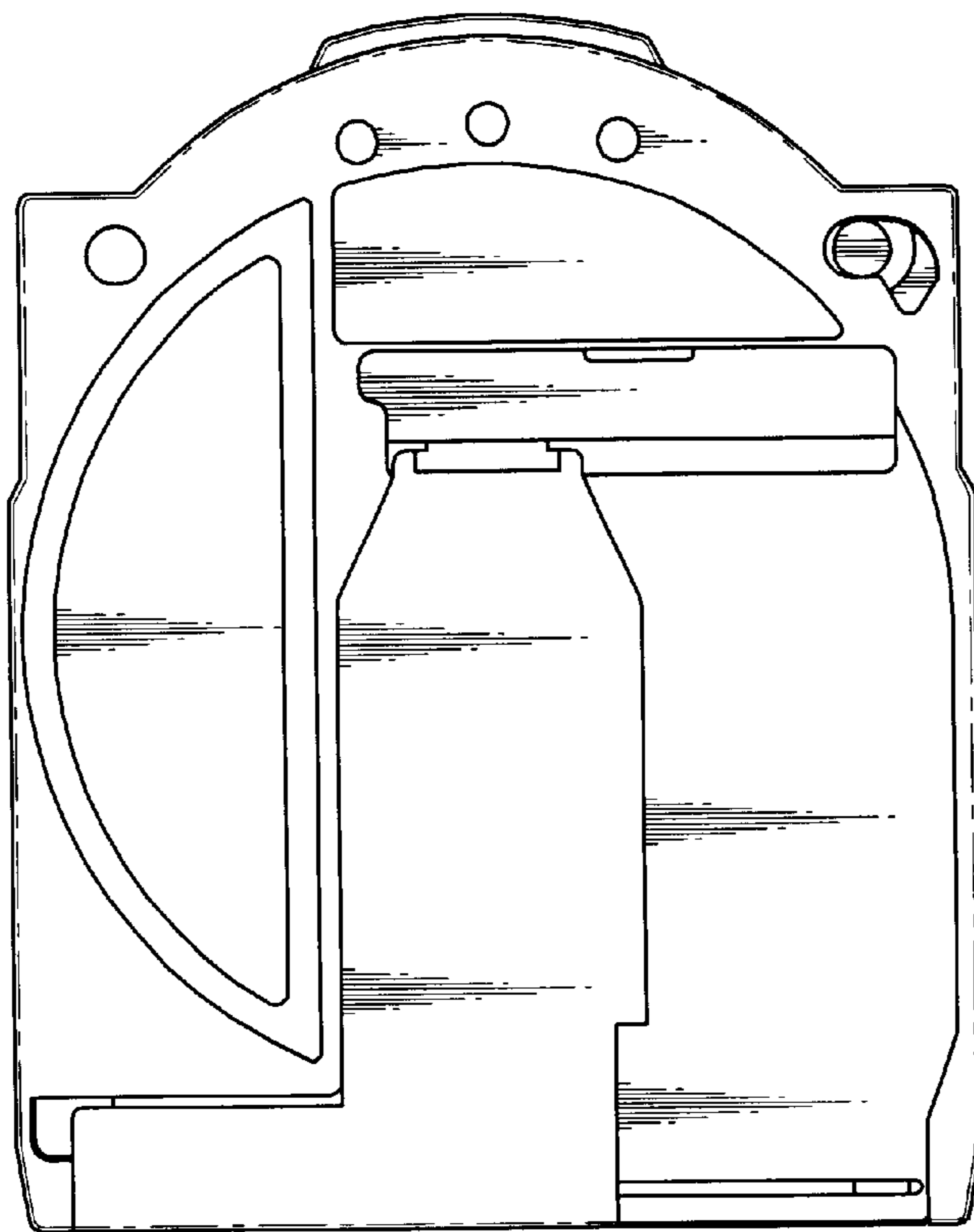


FIG. 4

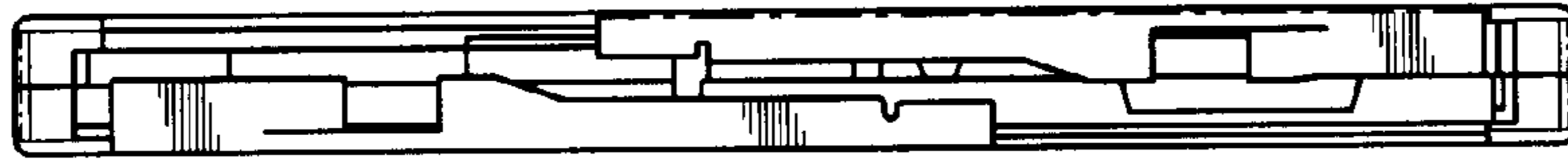


FIG. 5

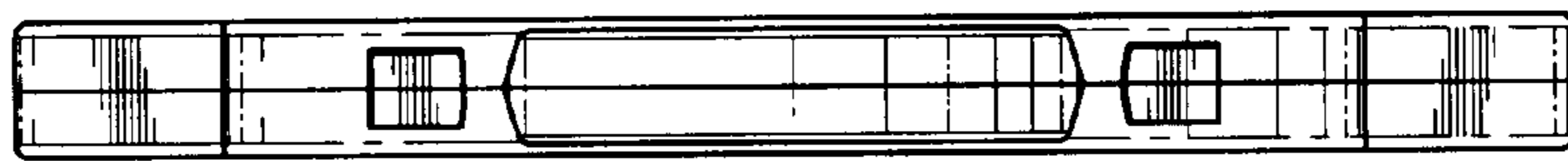


FIG. 6

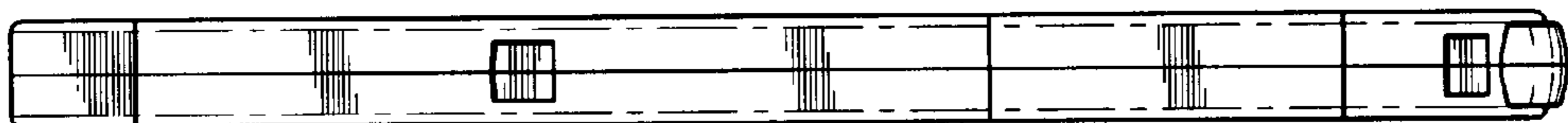


FIG. 7

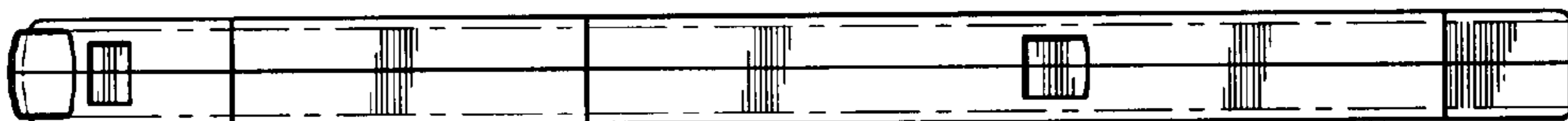


FIG. 8