



US00D488816S

(12) **United States Design Patent**
Tyler et al.

(10) **Patent No.:** **US D488,816 S**

(45) **Date of Patent:** **** Apr. 20, 2004**

(54) **LAPTOP COMPUTER LAP DESK**

D386,782 S * 11/1997 Sasaki D14/451
D462,360 S * 9/2002 Gilbertson D14/457

(76) Inventors: **Marvin B. Tyler**, 2935 Hwy. 35 South,
Woodland, NC (US) 27897; **Oscar R
Epps**, 2801 Firetower Rd., Jackson, NC
(US) 27845

* cited by examiner

Primary Examiner—Kay H. Chin

(**) Term: **14 Years**

(57) **CLAIM**

The ornamental design for a laptop computer lap desk, as shown and described.

(21) Appl. No.: **29/175,287**

(22) Filed: **Feb. 3, 2003**

DESCRIPTION

(51) **LOC (7) Cl.** **14-02**

FIG. 1 is a top view of a laptop computer lap desk showing my new design.

(52) **U.S. Cl.** **D14/458; D14/457**

FIG. 2 is a bottom view of the laptop computer lap desk.

(58) **Field of Search** D14/457, 458,
D14/460, 461; D18/12; 248/118, 118.1,
118.3, 118.5, 346.01, 917-924; 400/689-693,
715; 235/145 A, 145 B

FIG. 3 is a side view of the laptop computer lap desk.

FIG. 4 is a back view of the laptop computer lap desk.

FIG. 5 is a front view of the laptop computer lap desk; and,

FIG. 6 is a perspective view of the laptop computer lap desk.

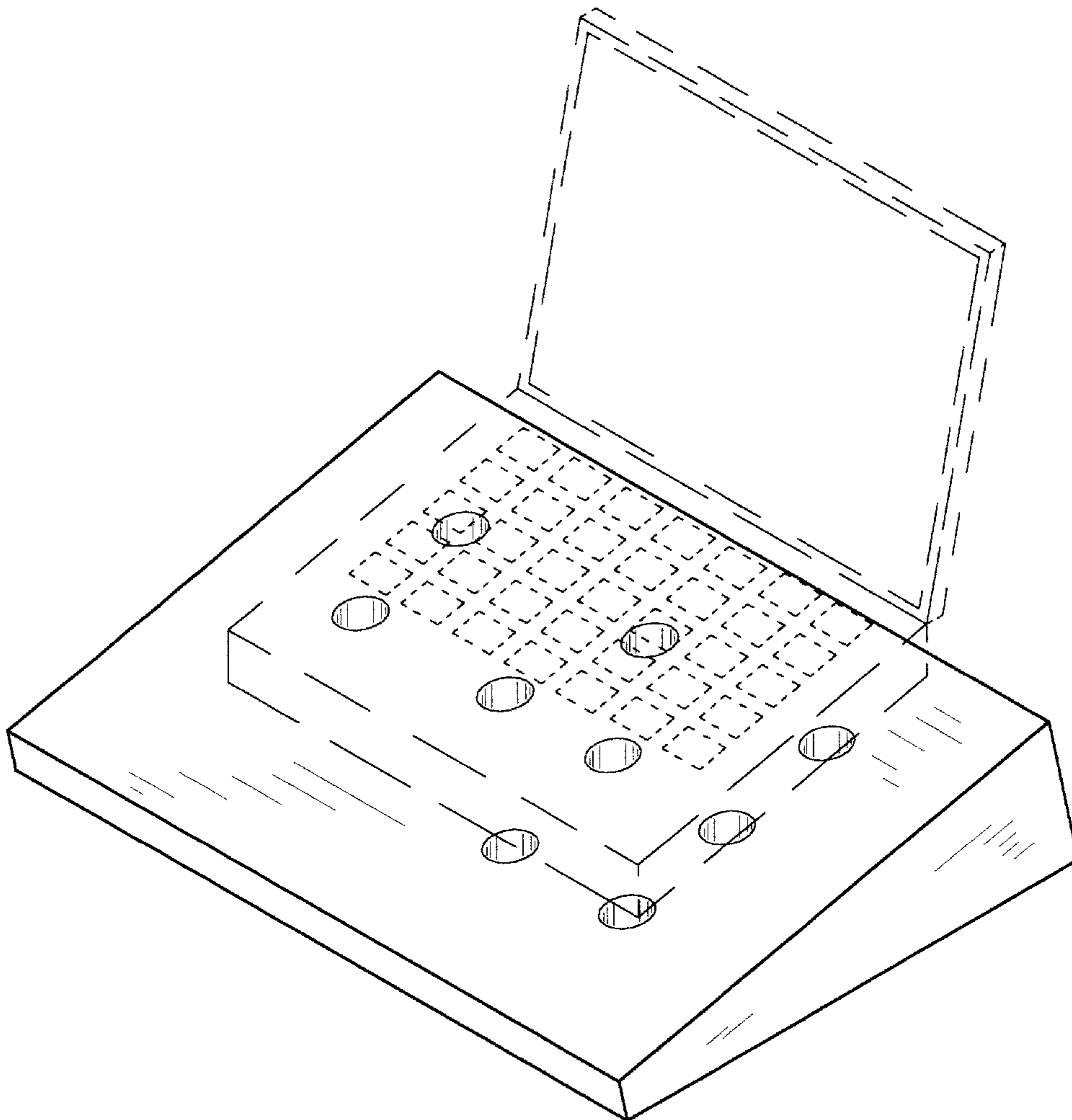
The broken lines are for illustrative purposes only and form no part of the claimed design.

(56) **References Cited**

U.S. PATENT DOCUMENTS

5,209,452 A * 5/1993 Goldberg 248/676

1 Claim, 3 Drawing Sheets



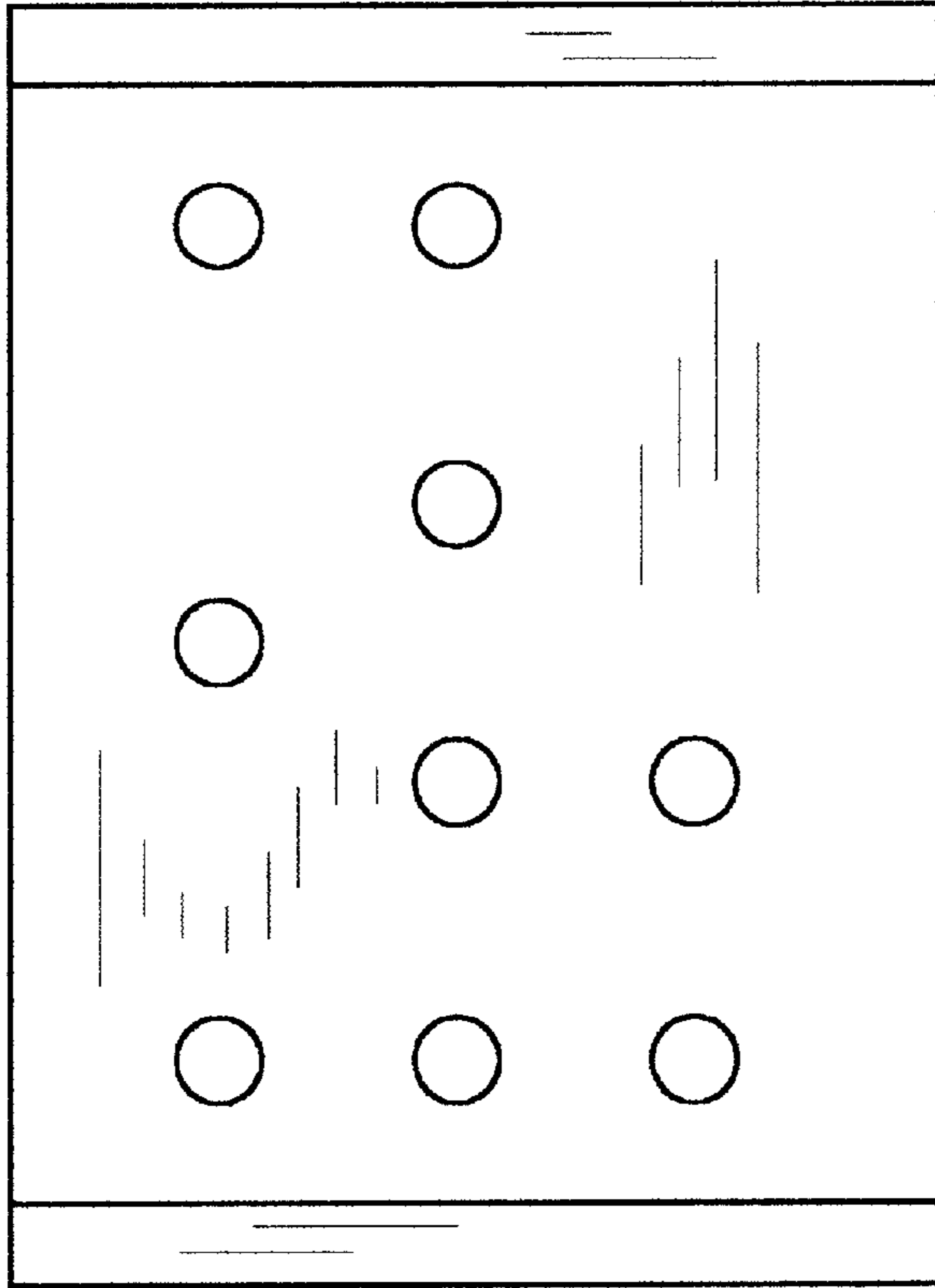


FIG. 2

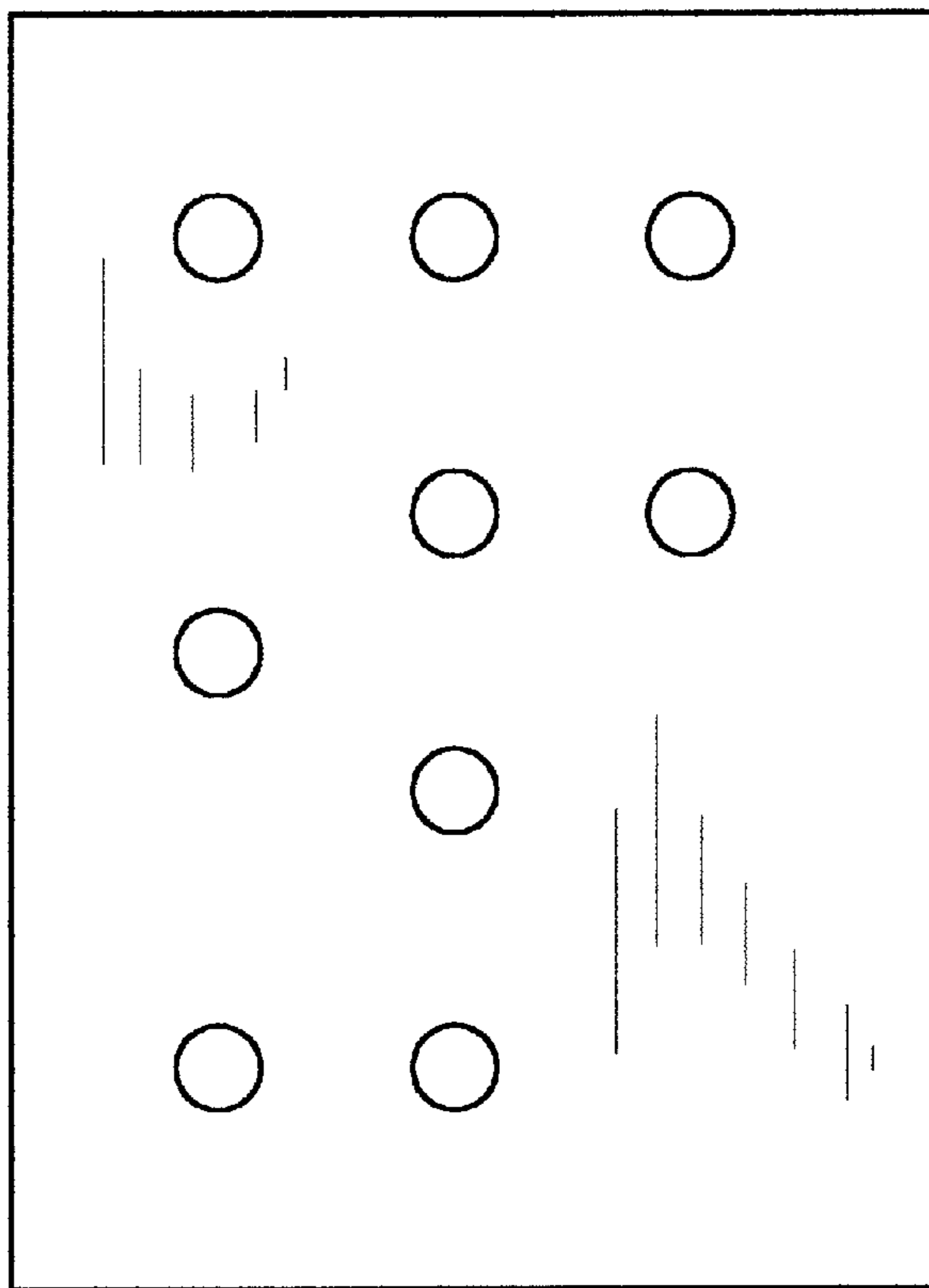


FIG. 1

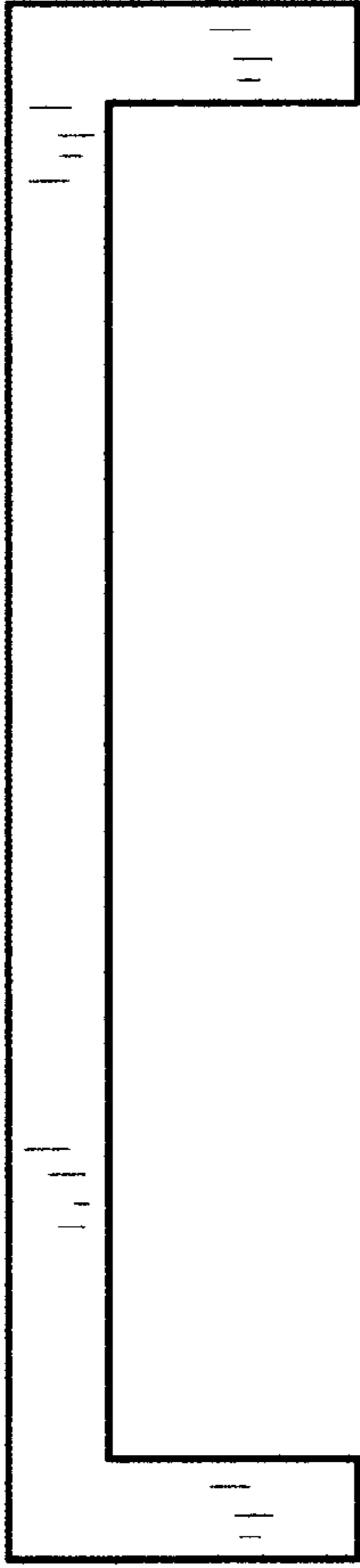


FIG. 4

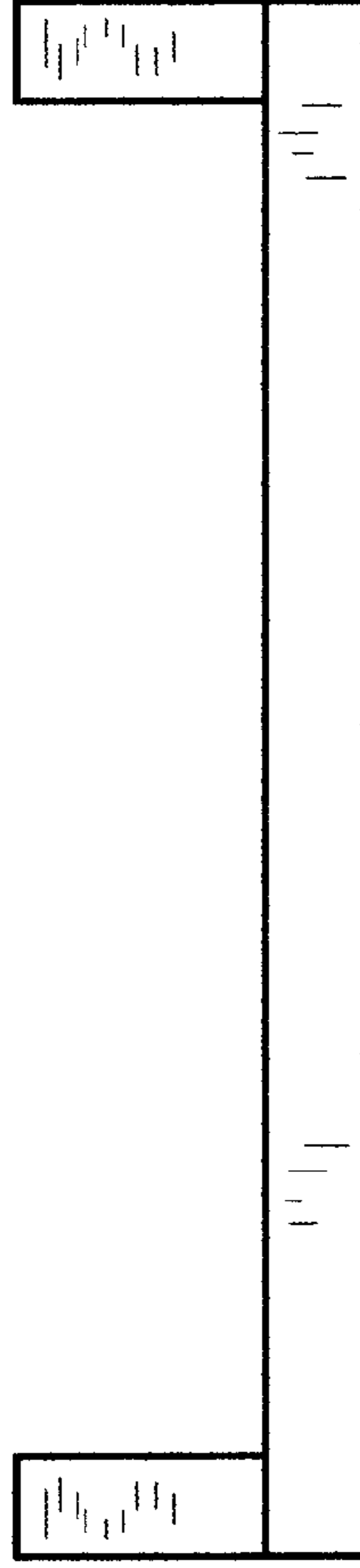


FIG. 5

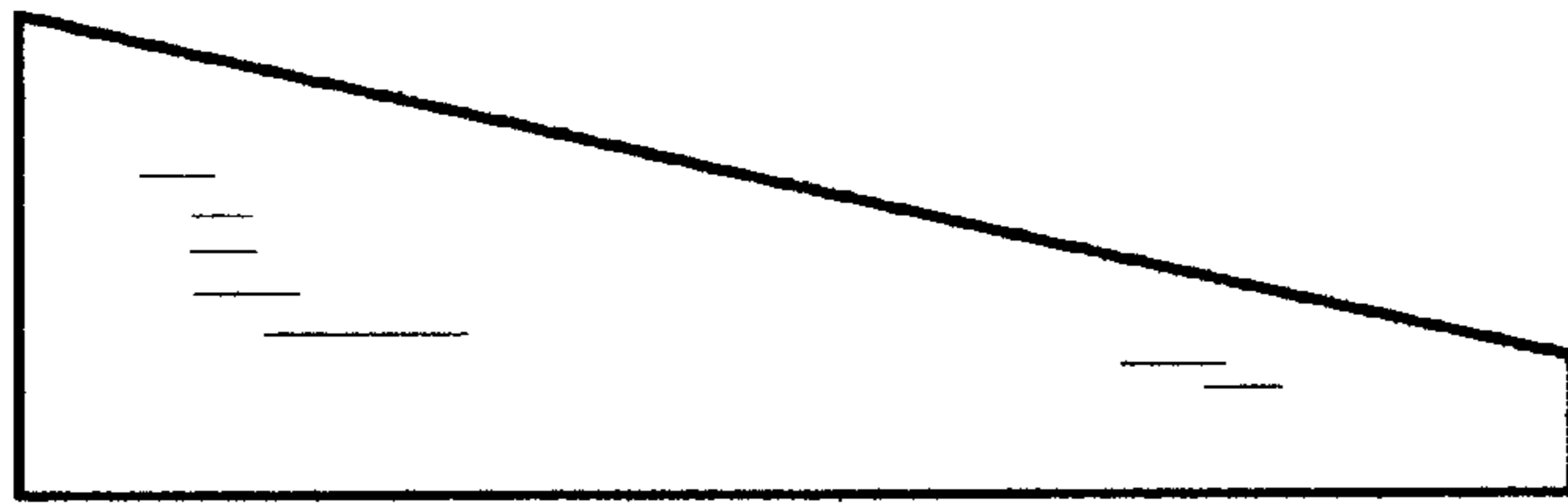


FIG. 3

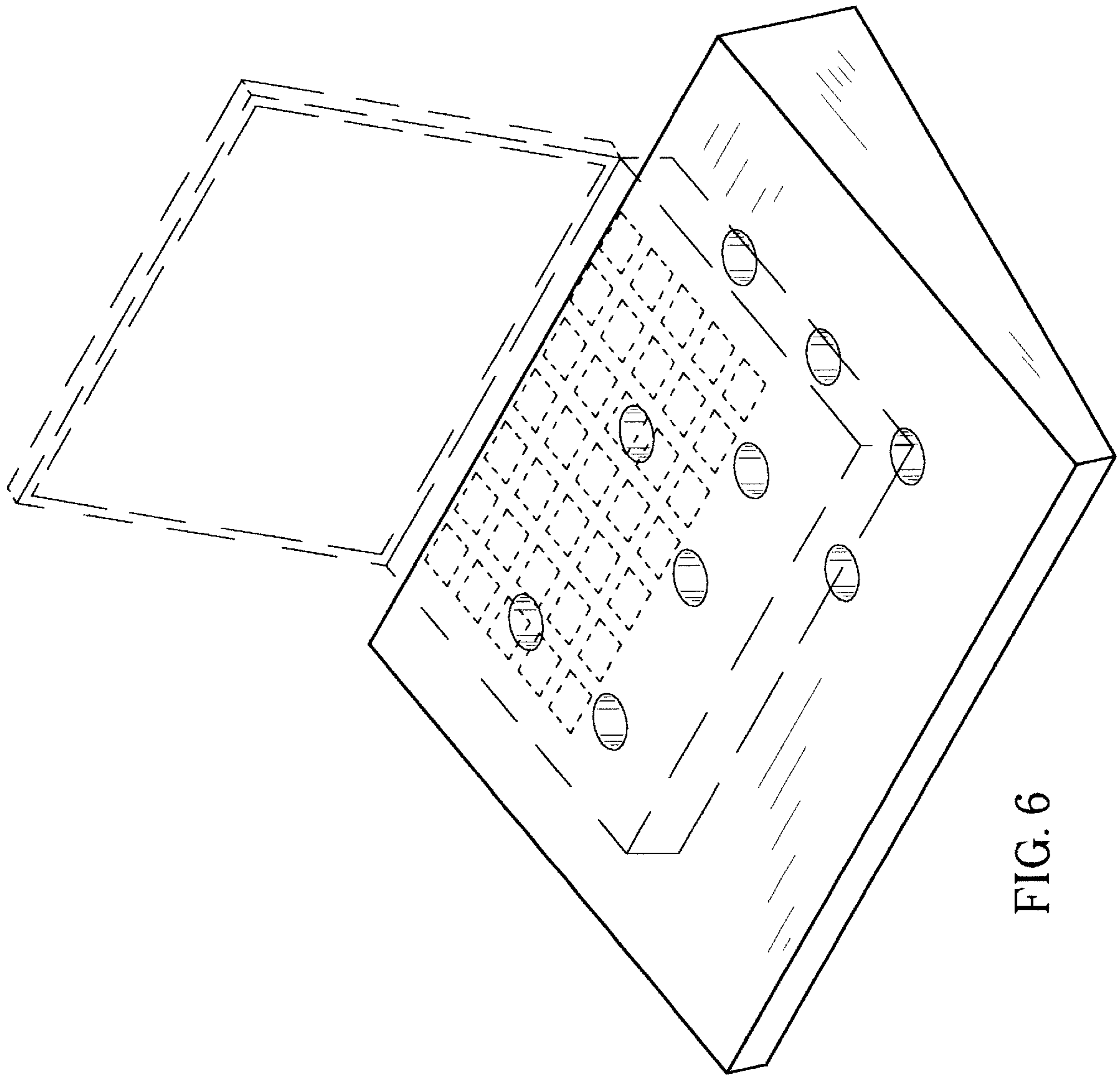


FIG. 6