



US00D488813S

(12) **United States Design Patent**
Lin et al.

(10) **Patent No.:** **US D488,813 S**

(45) **Date of Patent:** **** Apr. 20, 2004**

(54) **LIQUID CRYSTAL DISPLAY**

(75) Inventors: **Chin-Yuan Lin**, Sanchung (TW);
Siew-Kian Wong, Taipei (TW)

(73) Assignee: **Chuntex Electronic Co., Ltd.**, Taipei
Hsien (TW)

(**) Term: **14 Years**

(21) Appl. No.: **29/178,494**

(22) Filed: **Mar. 28, 2003**

(51) **LOC (7) Cl.** **14-02**

(52) **U.S. Cl.** **D14/375**

(58) **Field of Search** D14/371-377,
D14/317, 336, 337, 125-129; 248/917-924;
345/104, 156, 168, 173, 901-905, 87; 348/180,
184, 325, 739; 349/1, 2, 11, 62

(56) **References Cited**

U.S. PATENT DOCUMENTS

D406,824 S	*	3/1999	Minemoto et al.	D14/375
D432,534 S	*	10/2000	Hirose et al.	D14/337
D453,747 S	*	2/2002	Kita	D14/126
D473,868 S	*	4/2003	Tai	D14/375

* cited by examiner

Primary Examiner—Freda Nunn

(74) *Attorney, Agent, or Firm*—Rabin & Berdo, P.C.

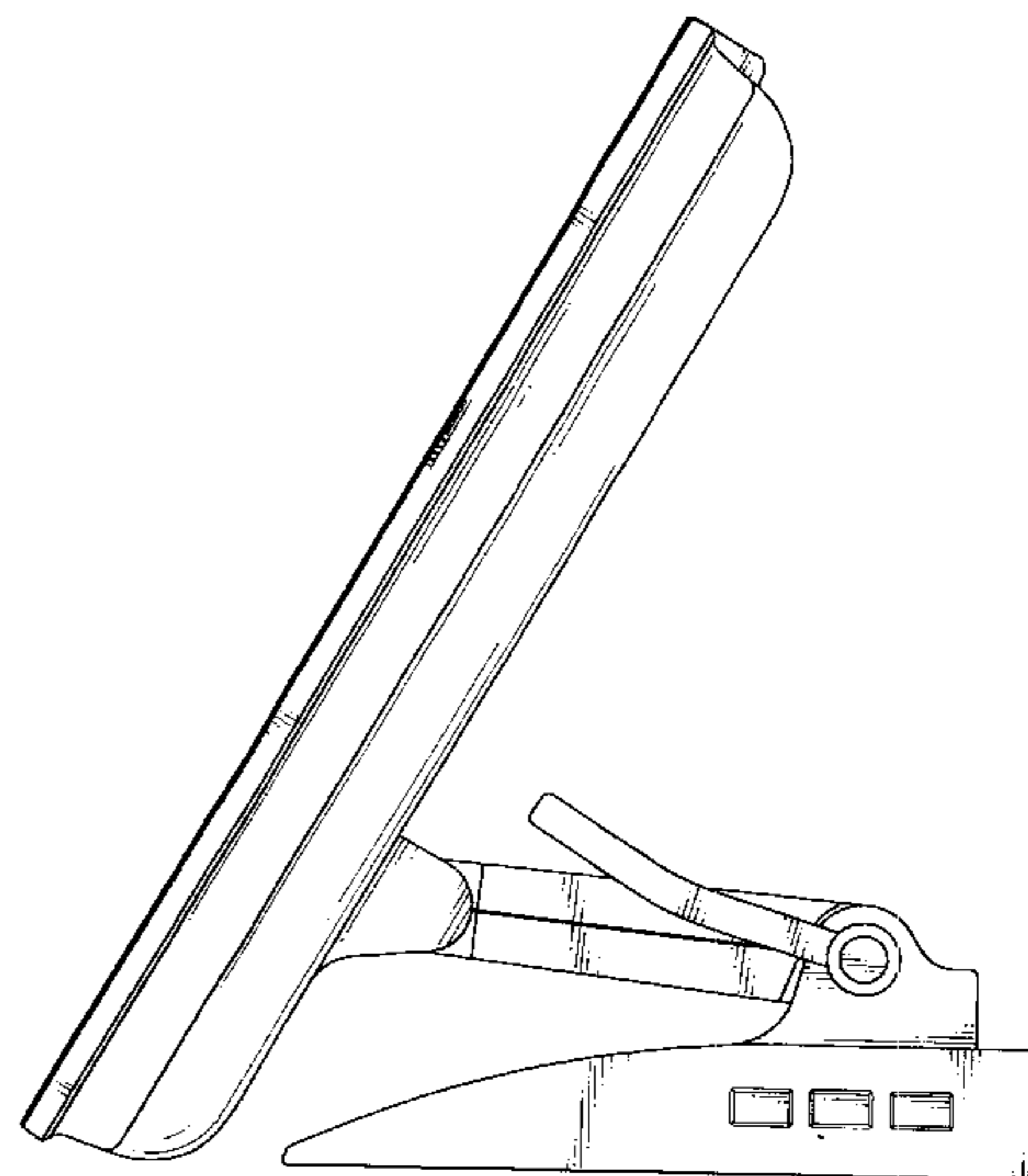
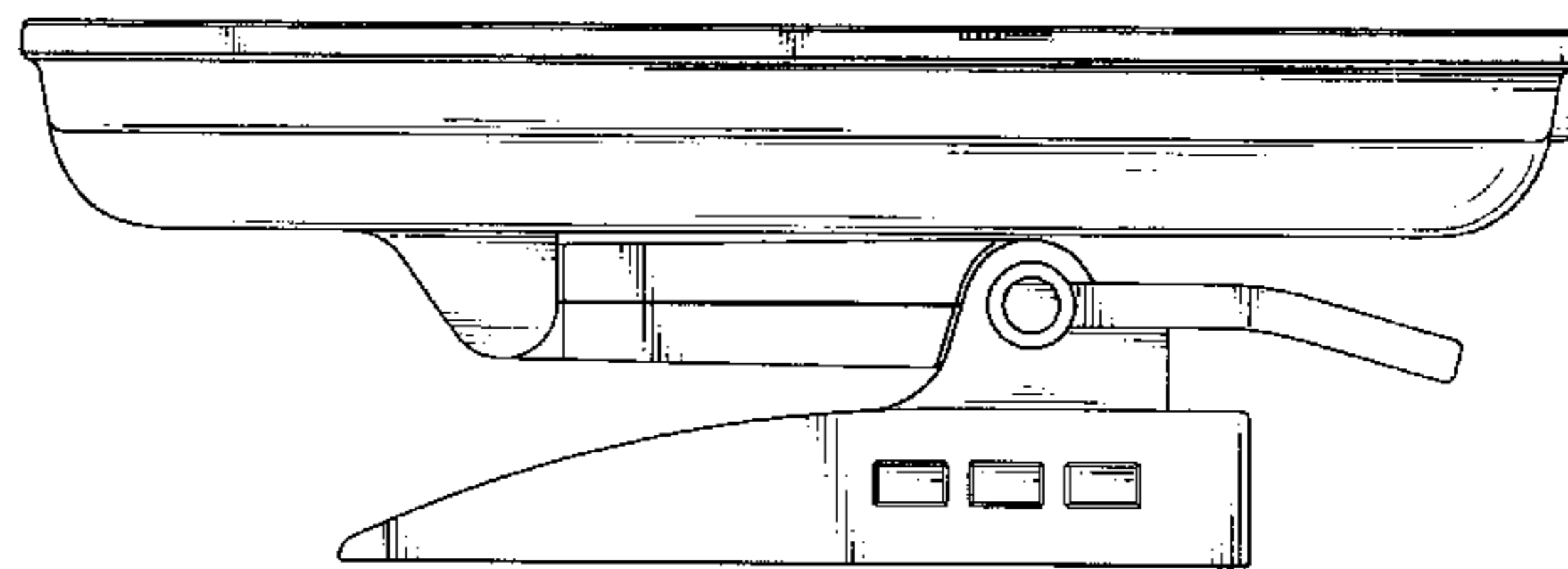
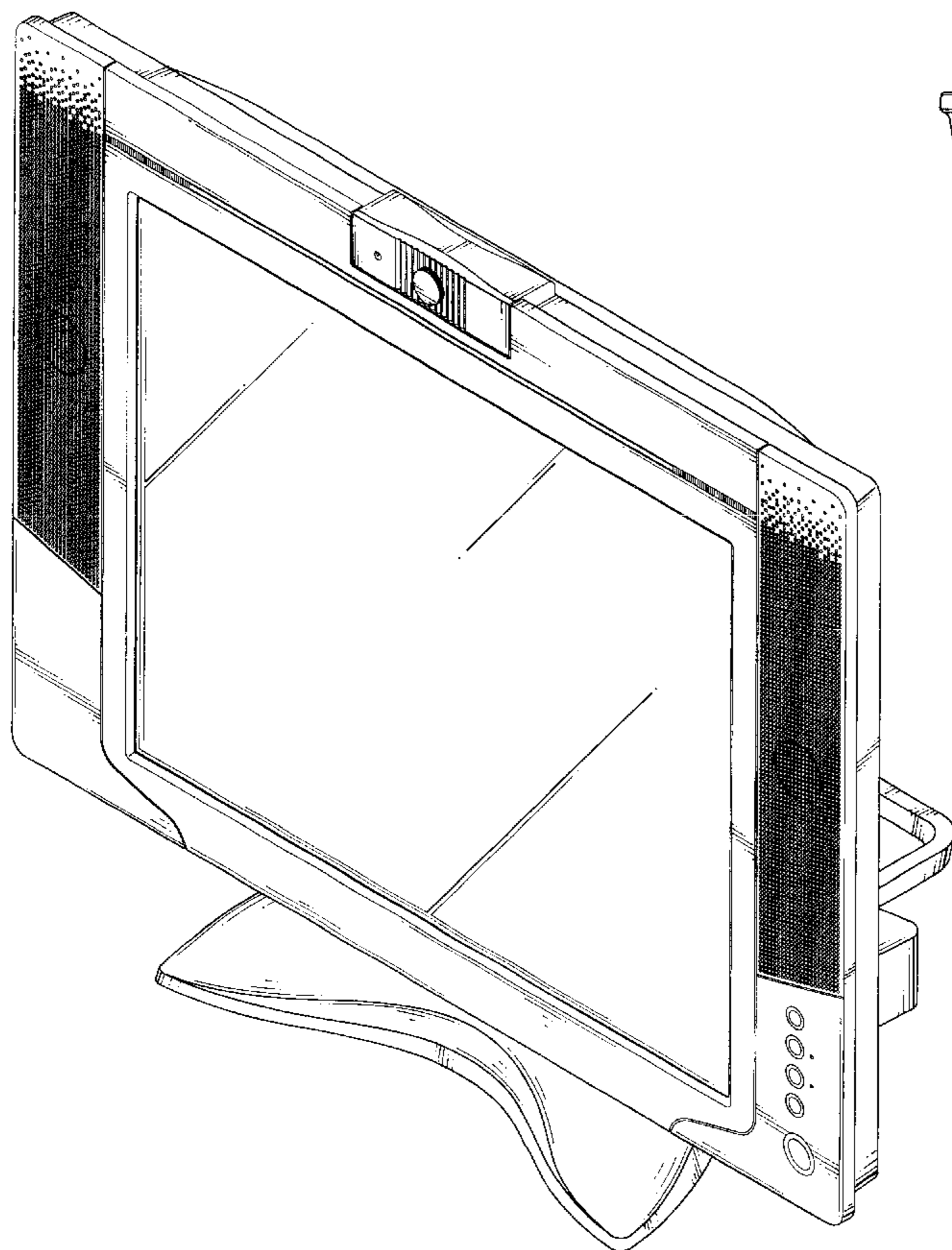
(57) **CLAIM**

The ornamental design for a liquid crystal display, as shown and described.

DESCRIPTION

FIG. 1 is a perspective view of a liquid crystal display, showing our new design;
 FIG. 2 is a front elevational view thereof;
 FIG. 3 is a rear elevational view thereof;
 FIG. 4 is a left elevational view thereof;
 FIG. 5 is a right elevational view thereof;
 FIG. 6 is top plan view thereof;
 FIG. 7 is a bottom plan view thereof;
 FIG. 8 is a schematic view showing the liquid crystal display is folded;
 FIG. 9 is an operational view of the liquid crystal display;
 FIG. 10 is a further operational view of the liquid crystal display; and,
 FIG. 11 is a still further operational view of the liquid crystal display.

1 Claim, 10 Drawing Sheets



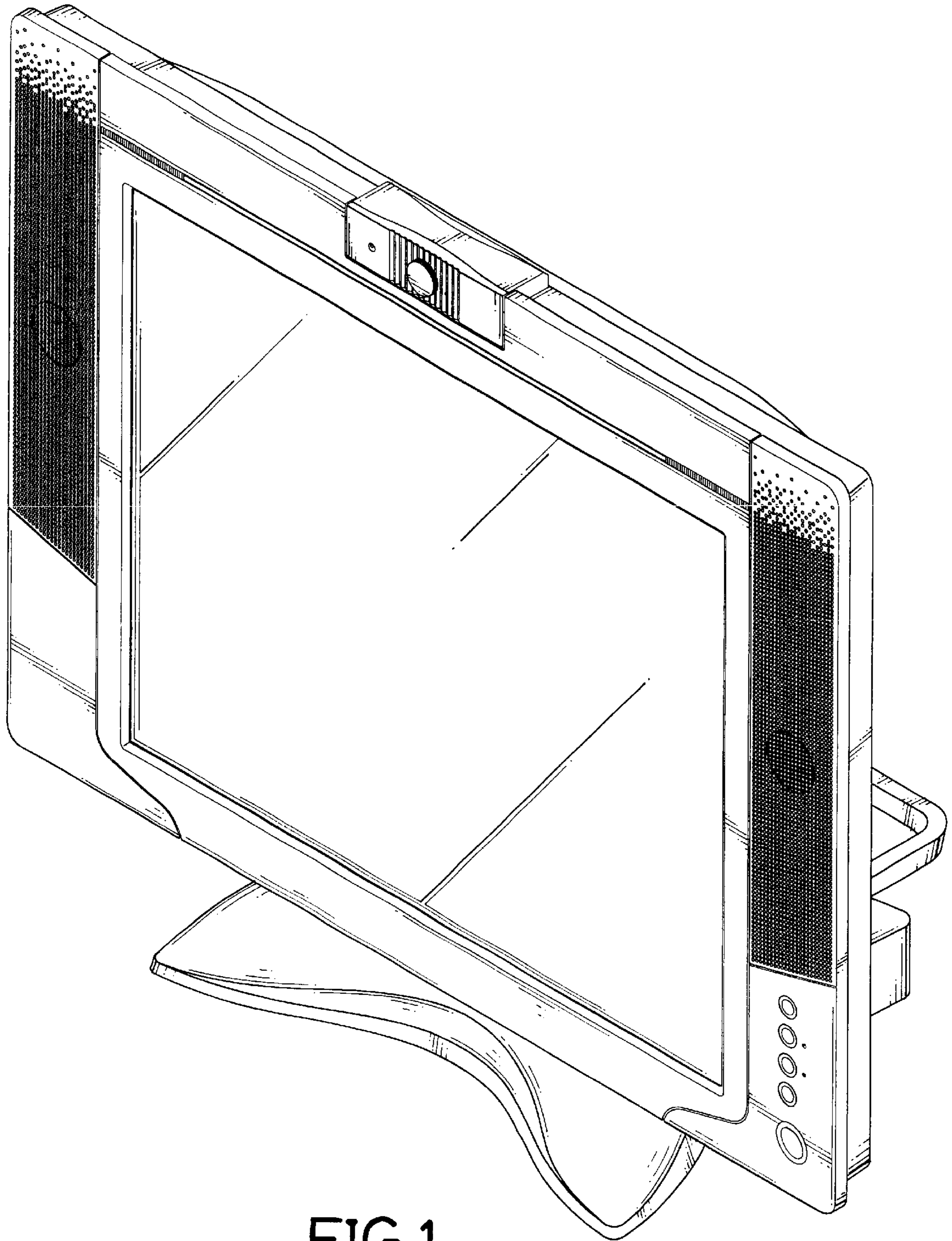


FIG.1

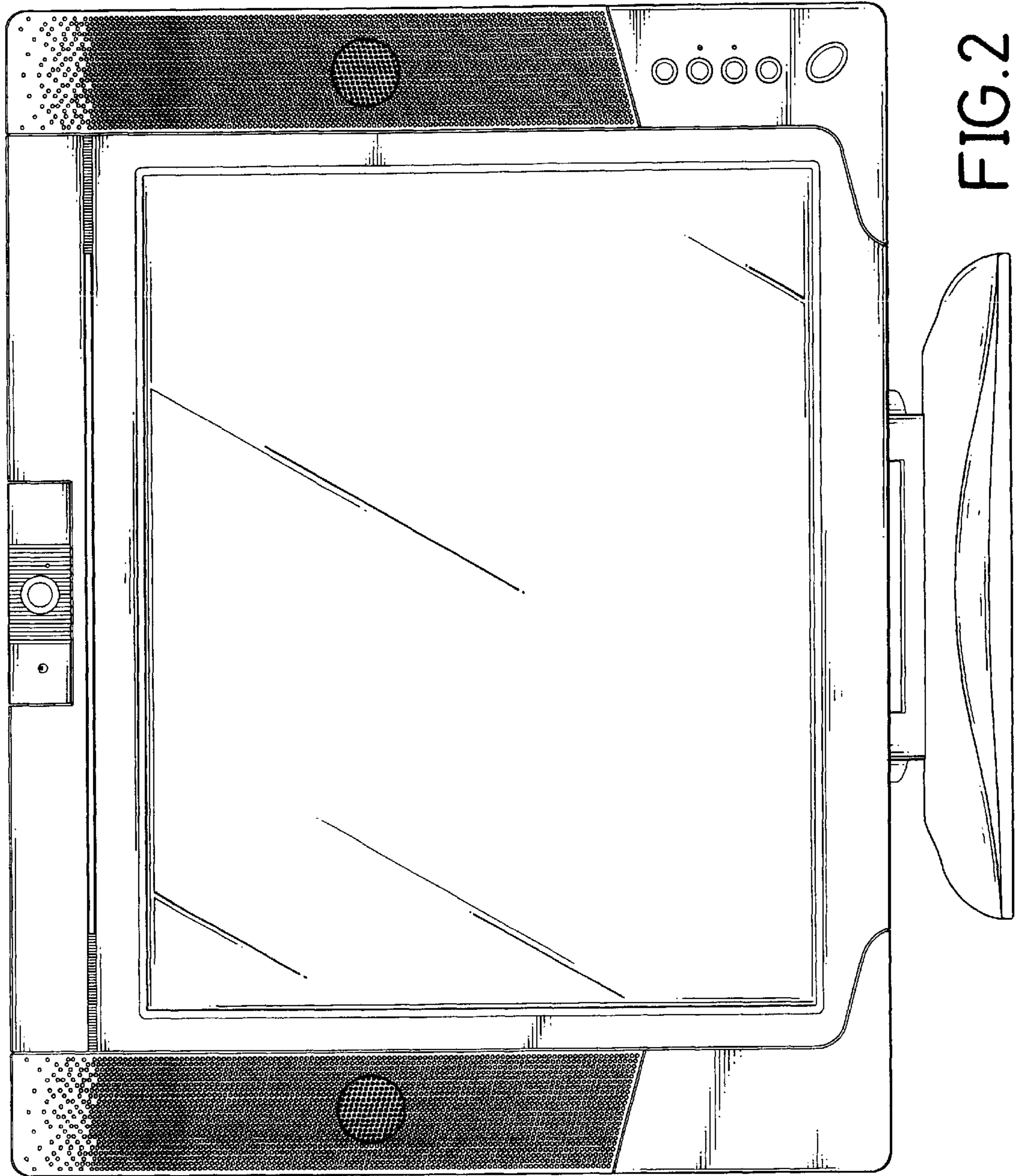


FIG.2

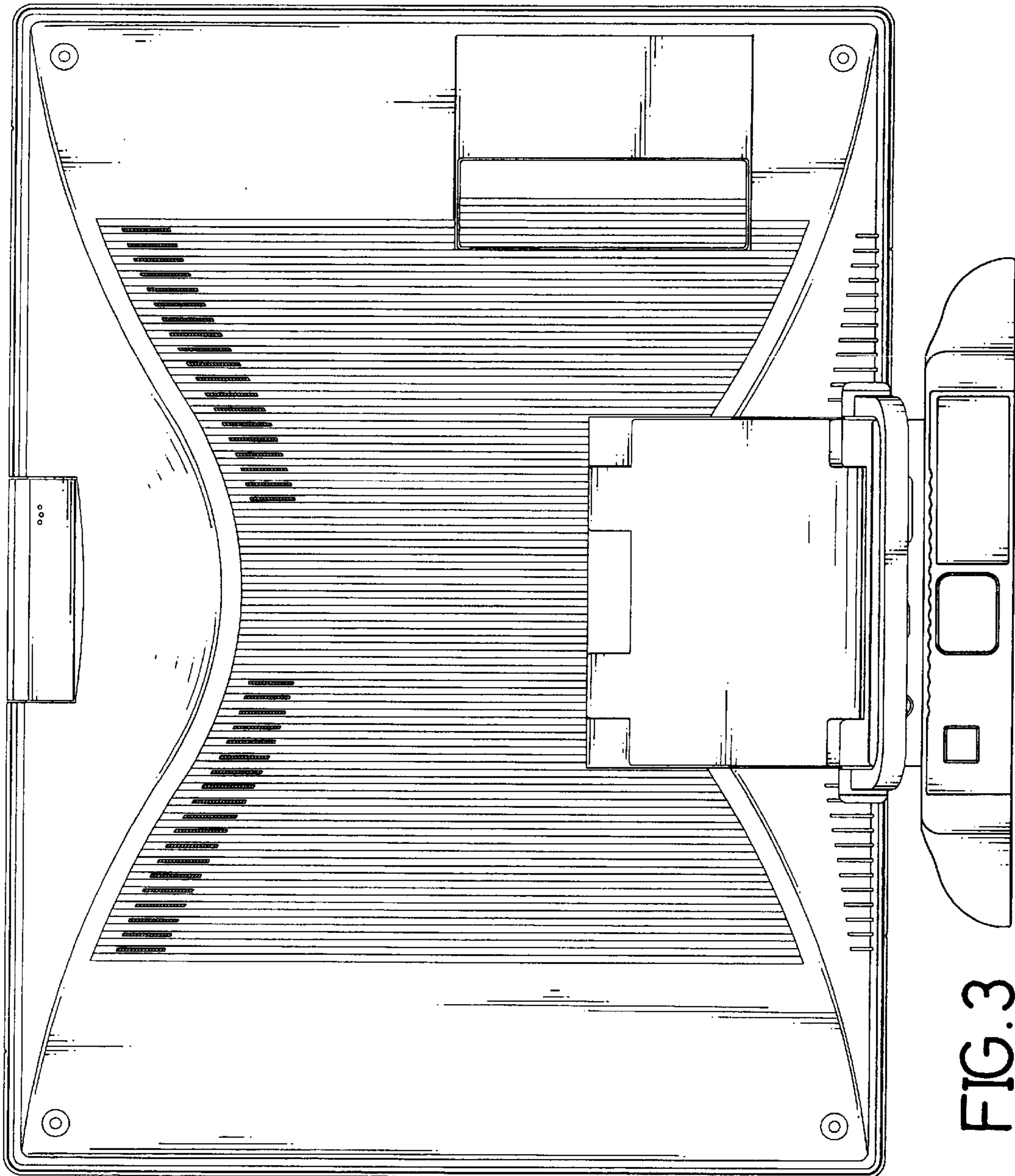


FIG. 3

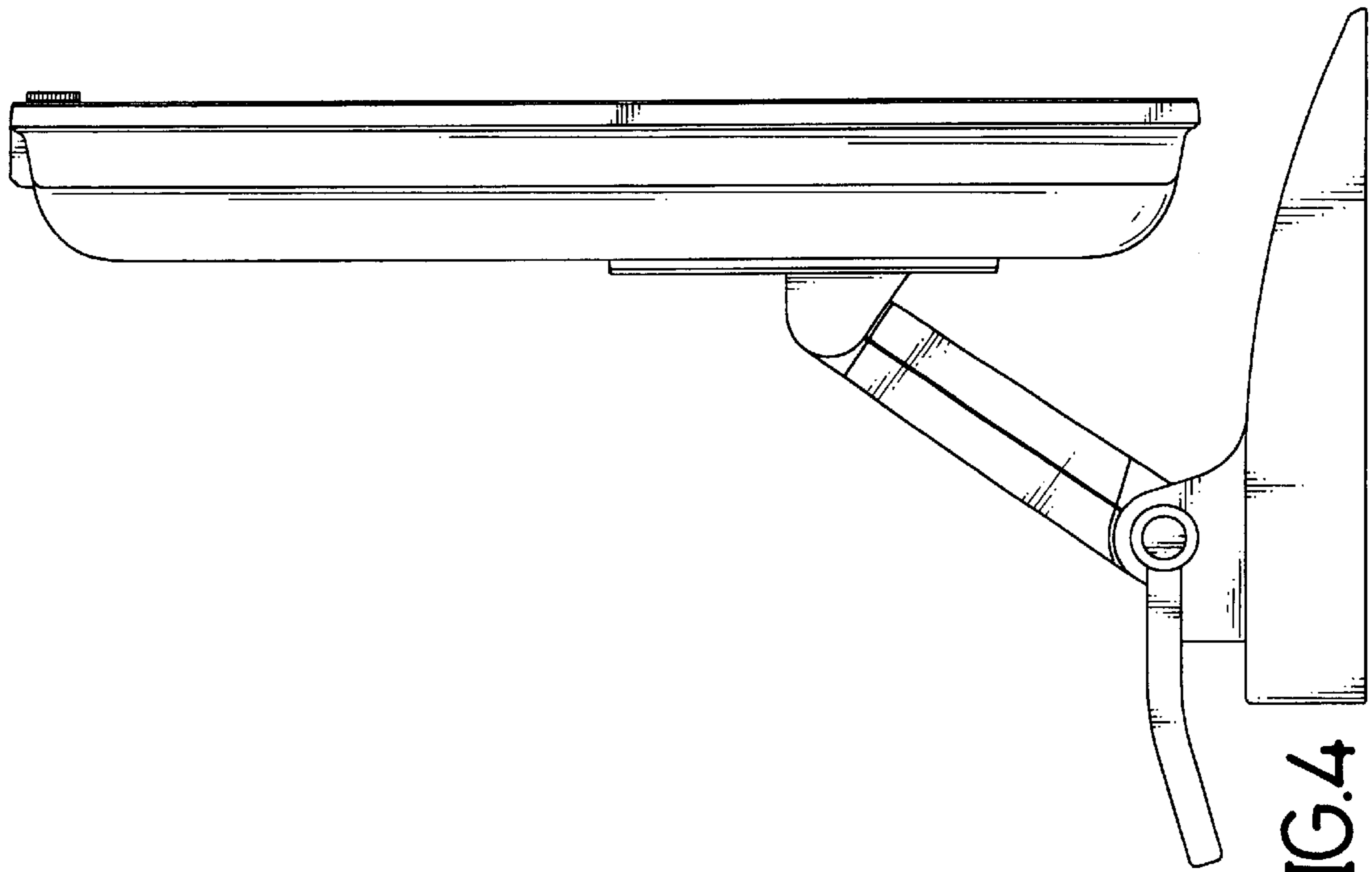
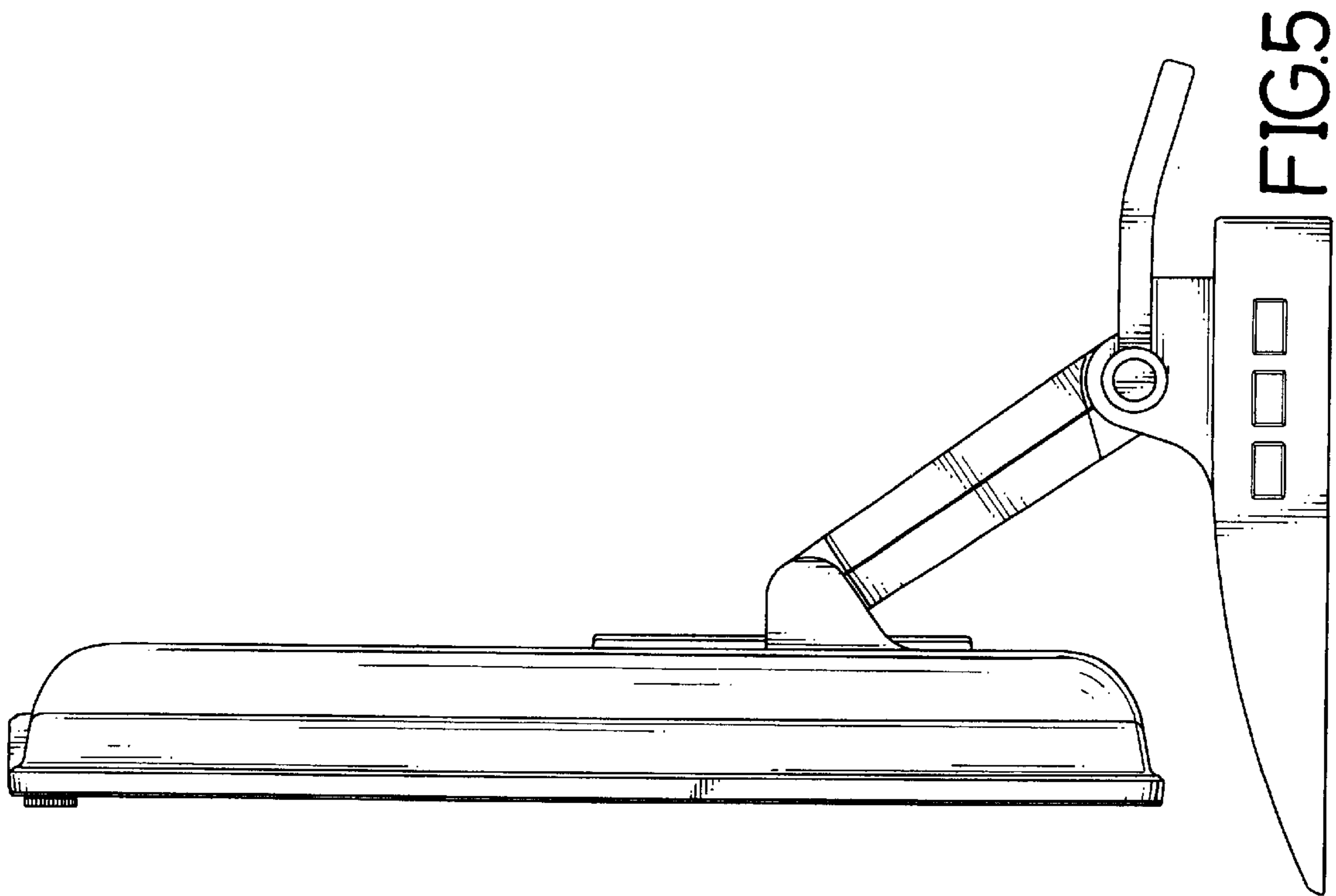


FIG.4



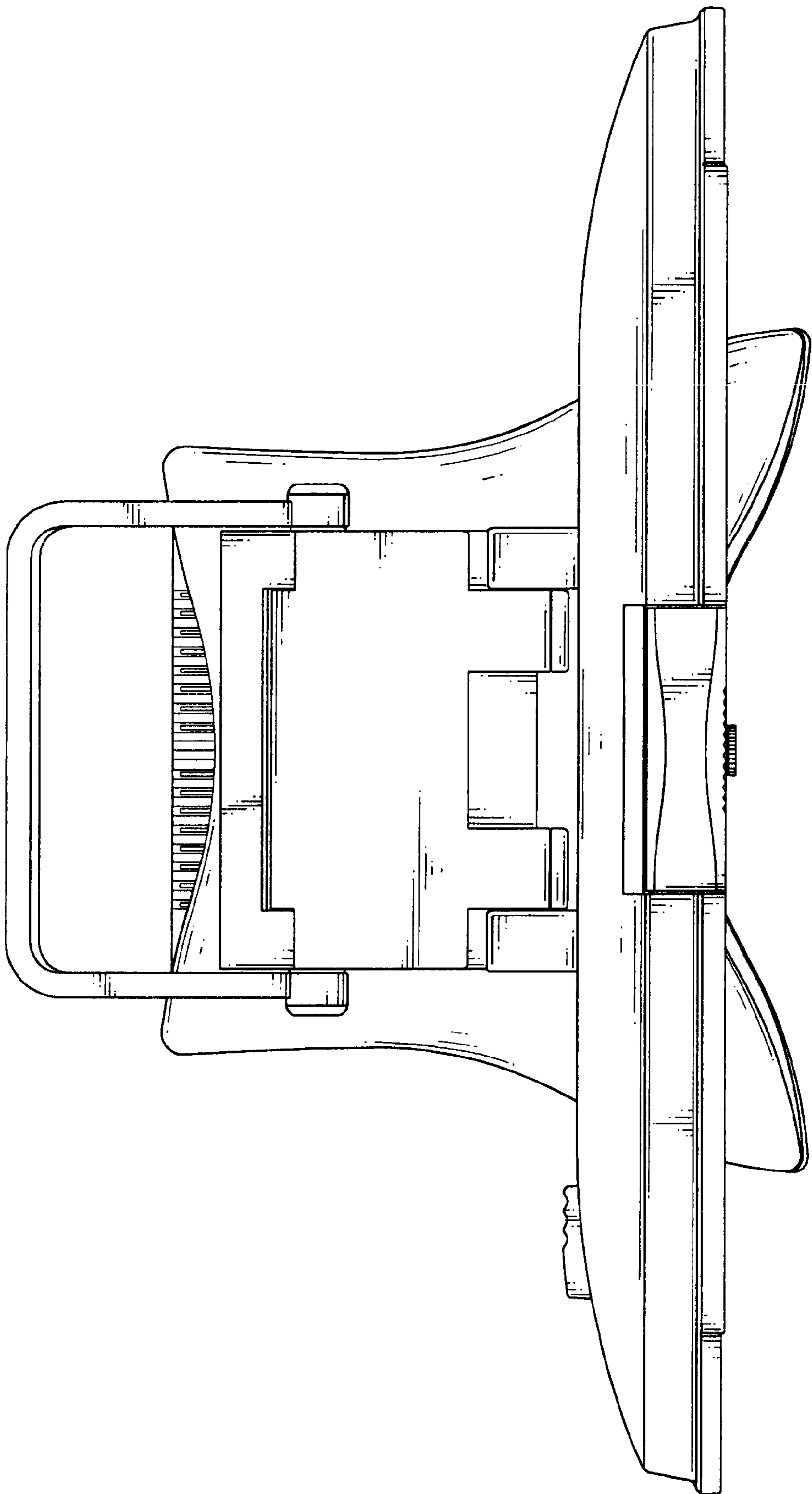


FIG. 6

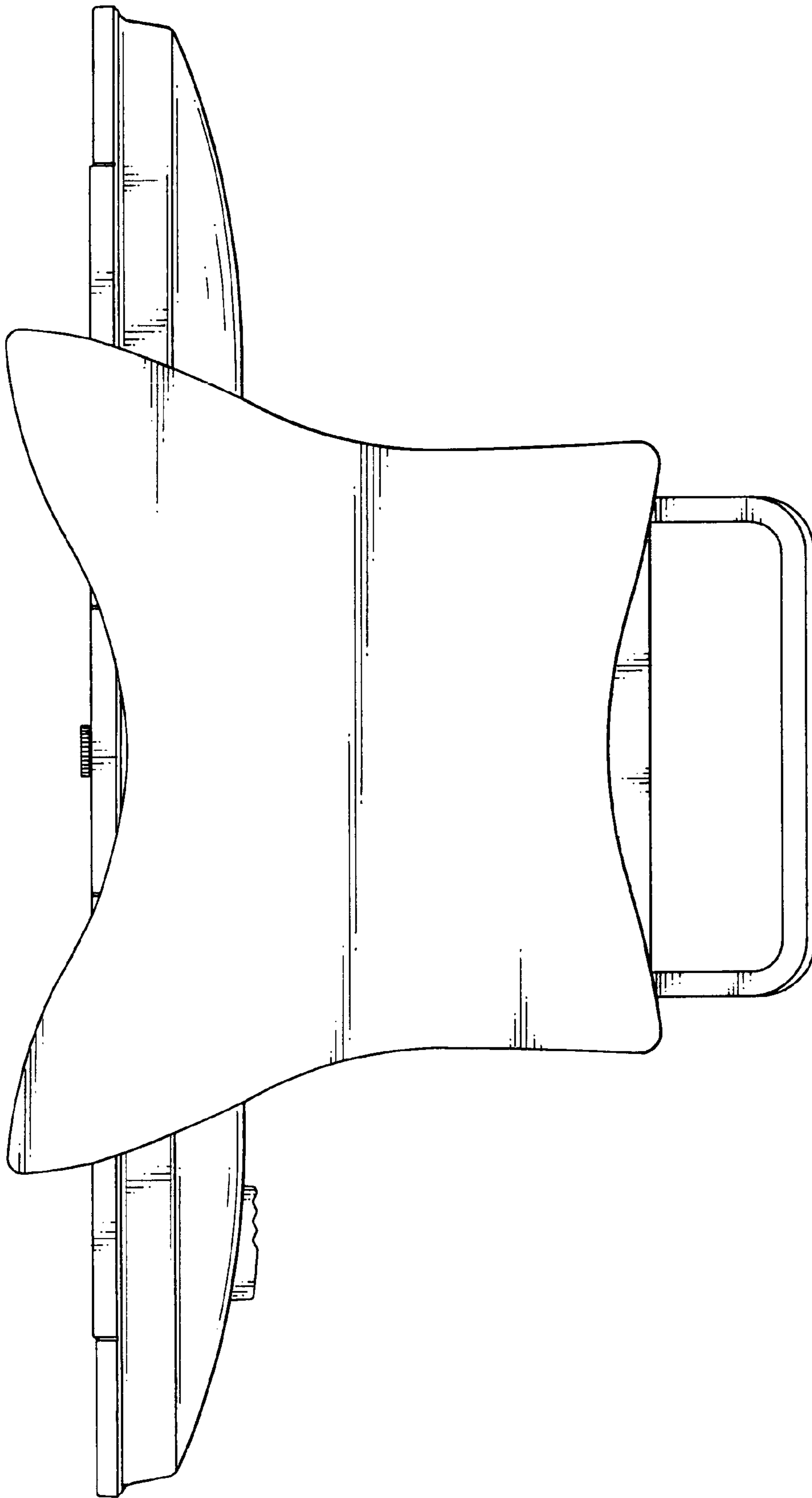


FIG. 7

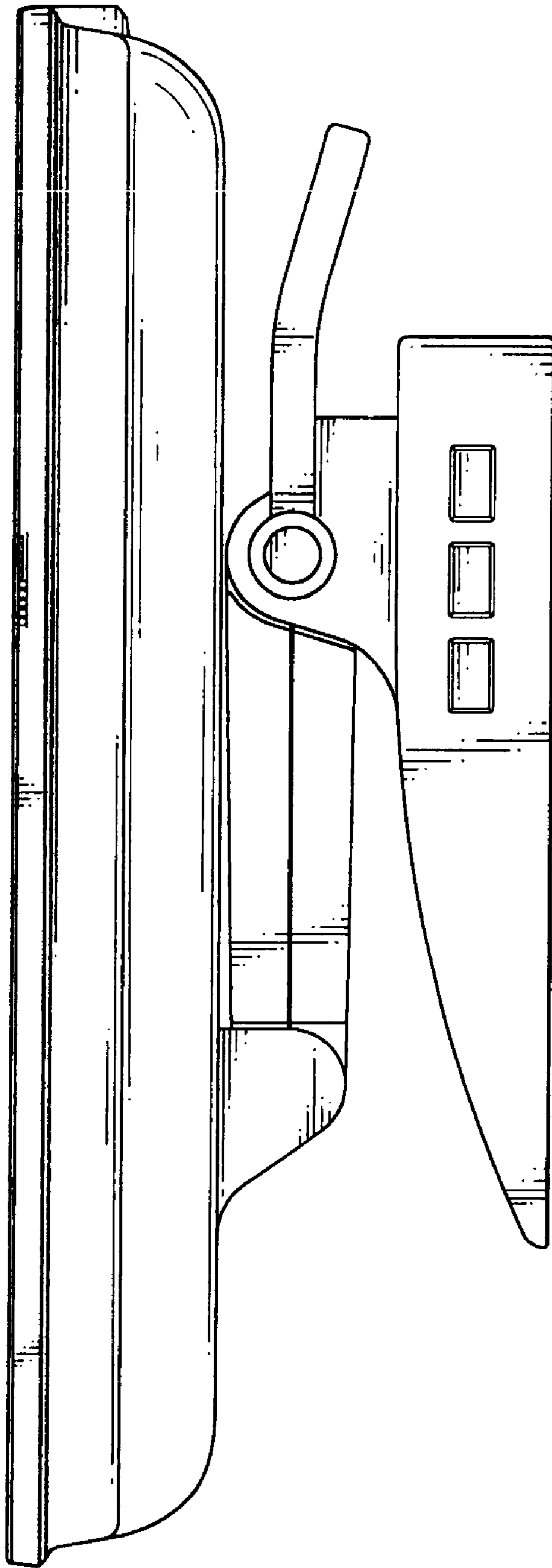


FIG. 8

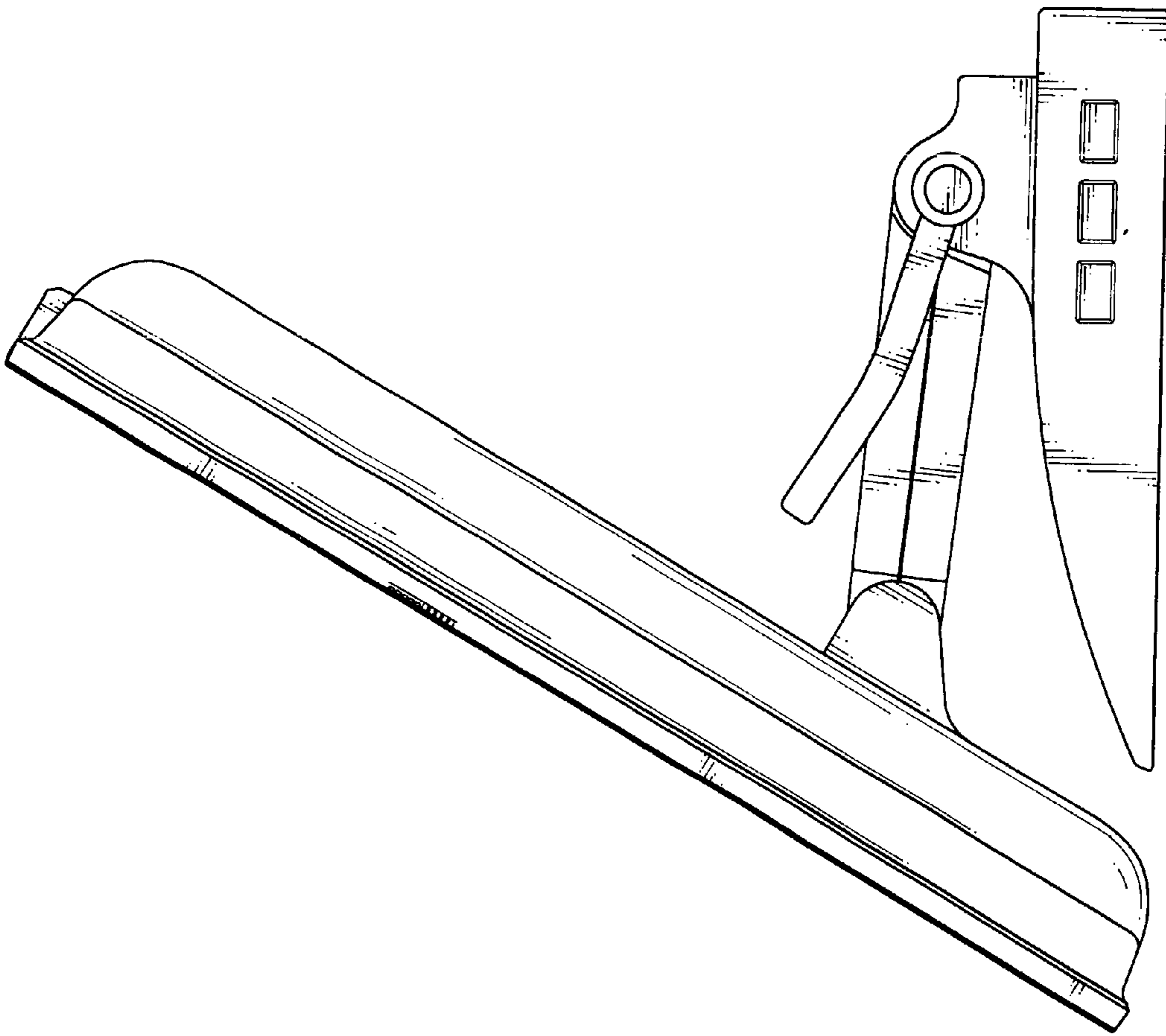


FIG.9

