



US00D488806S

(12) **United States Design Patent**
Huang et al.

(10) **Patent No.:** **US D488,806 S**

(45) **Date of Patent:** **** Apr. 20, 2004**

(54) **COMPUTER CASE**

(75) Inventors: **Qing-Hua Huang**, Shenzhen (CN);
Jian Hu, Shenzhen (CN); **Liang-Chin Wang**, Tu-Chen (TW); **Jung-Chi Chen**, Tu-chen (TW); **Kuo-Chih Lin**, Tu-chen (TW); **Alvin Liu**, Tu-Chen (TW)

(73) Assignee: **Hon Hai Precision Ind. Co., Ltd.**, Taipei Hsien (TW)

(**) Term: **14 Years**

(21) Appl. No.: **29/173,603**

(22) Filed: **Dec. 30, 2002**

(30) **Foreign Application Priority Data**

Sep. 19, 2002 (CN) 02 3 62173

(51) **LOC (7) Cl.** **14-02**

(52) **U.S. Cl.** **D14/308; D14/328**

(58) **Field of Search** D14/300-313,
D14/348-356; 312/223.2, 244; 361/683,
727

(56) **References Cited**

U.S. PATENT DOCUMENTS

D331,746 S * 12/1992 Takahashi D14/348

D344,266 S * 2/1994 Wingate D14/349
D367,051 S * 2/1996 Hyogo D14/135
5,934,774 A * 8/1999 Wu et al. 312/223.2
D422,975 S * 4/2000 Sun D14/328
D428,005 S * 7/2000 Takizawa et al. D14/351
6,101,088 A * 8/2000 Nakajima et al. 312/223.2 X
D453,019 S * 1/2002 Oba D14/348
6,466,433 B1 * 10/2002 Diaz et al. 361/683
D466,499 S * 12/2002 Nakano D14/327
D471,193 S * 3/2003 Chen et al. D14/348

* cited by examiner

Primary Examiner—Joel Sincavage

(74) *Attorney, Agent, or Firm*—Wei Te Chung

(57) **CLAIM**

The ornamental design for a computer case, as shown.

DESCRIPTION

FIG. 1 is a perspective view of a computer case of our new design;

FIG. 2 is a front elevational view thereof;

FIG. 3 is a rear elevational view thereof;

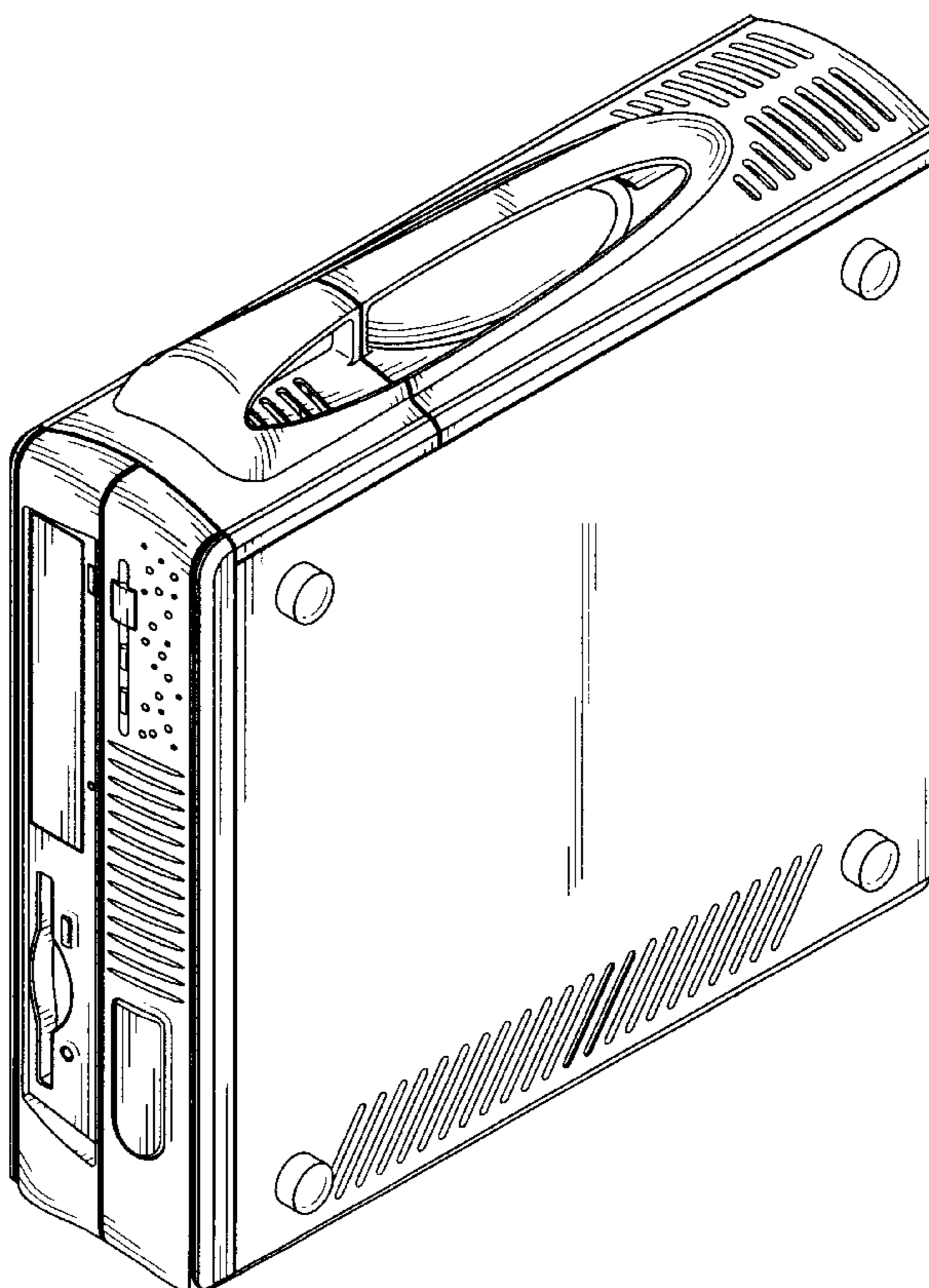
FIG. 4 is a left side elevational view thereof;

FIG. 5 is a right side elevational view thereof;

FIG. 6 is a top plan view thereof; and,

FIG. 7 is a bottom plan view thereof.

1 Claim, 5 Drawing Sheets



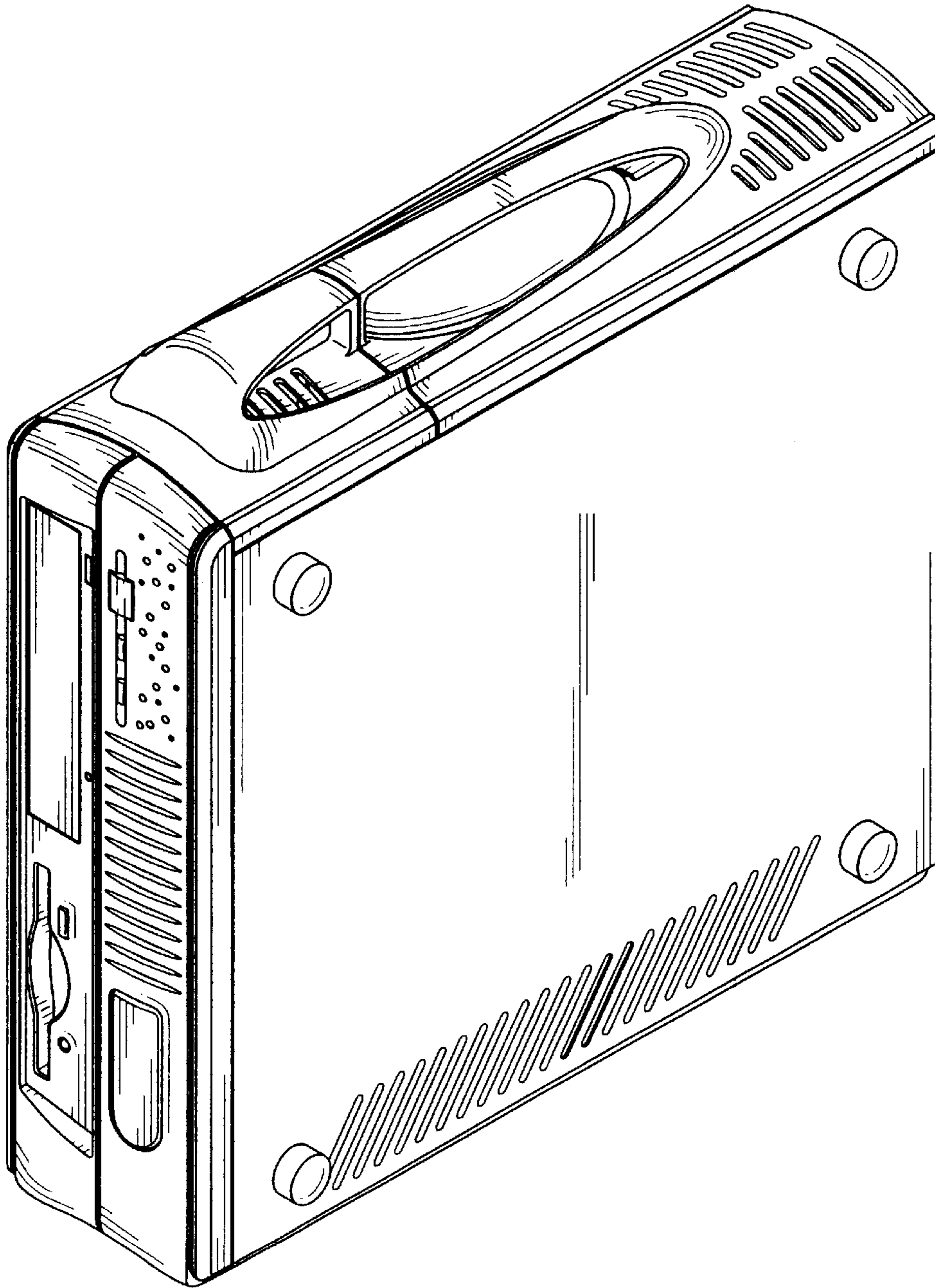


FIG. 1

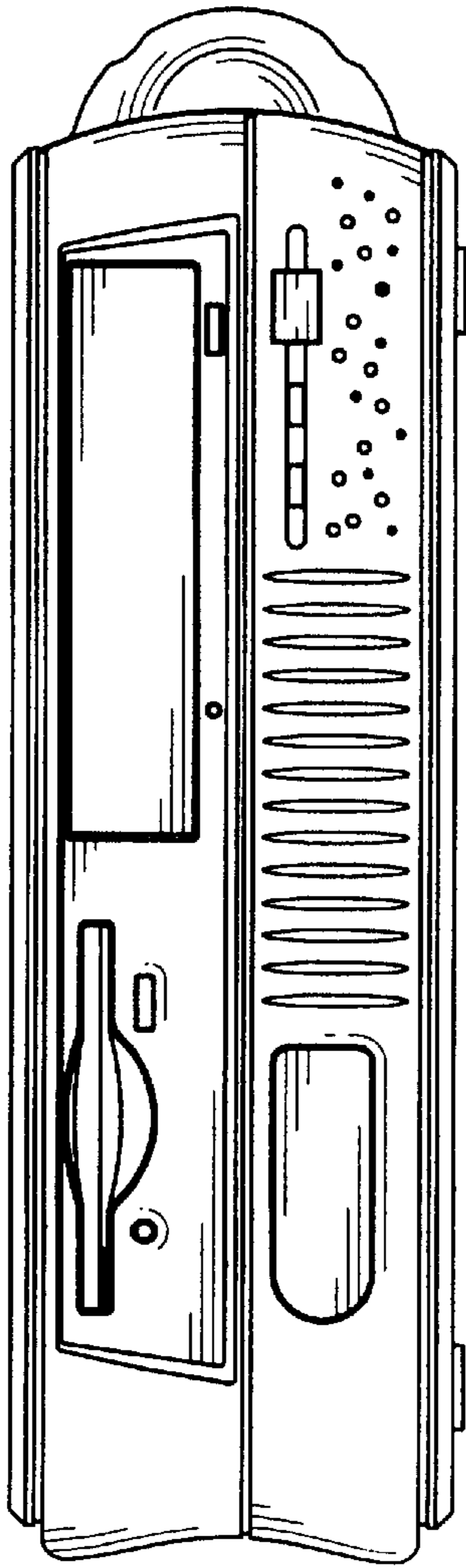


FIG. 2

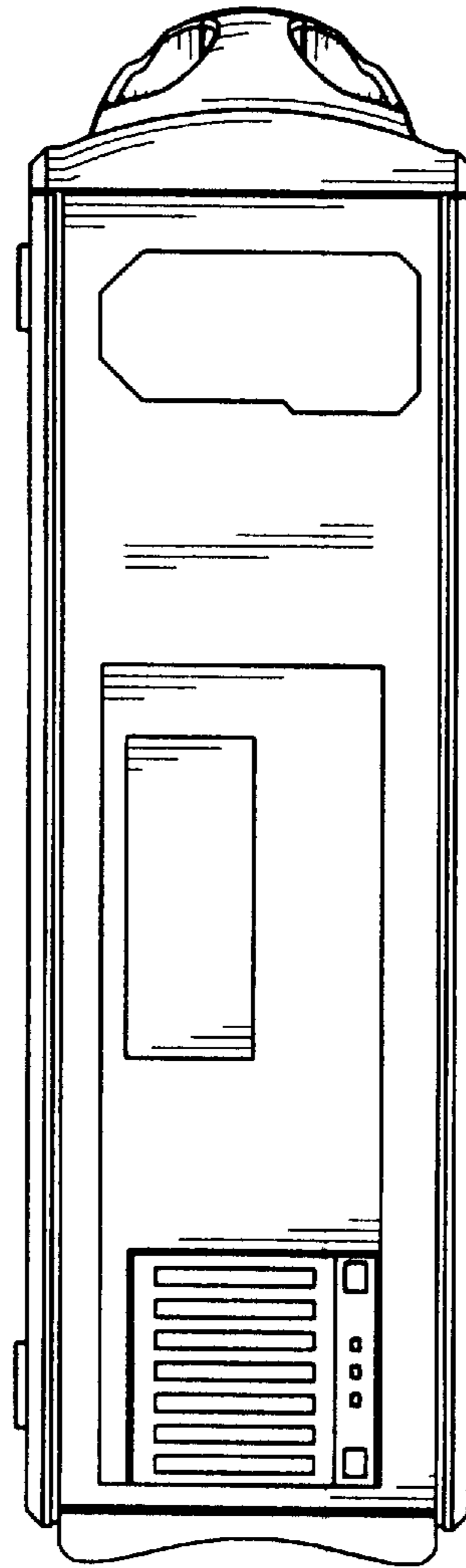


FIG. 3

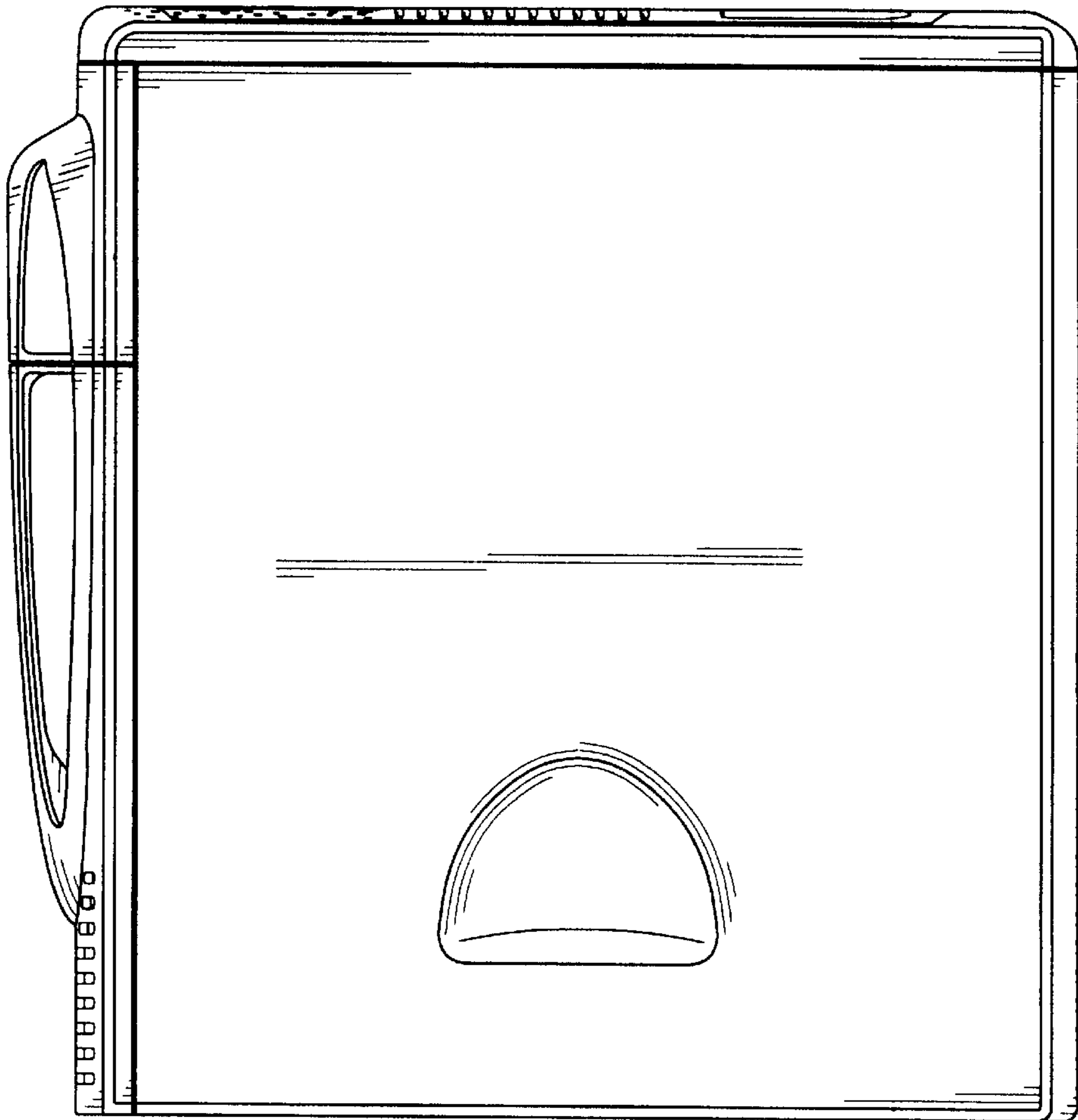


FIG. 4

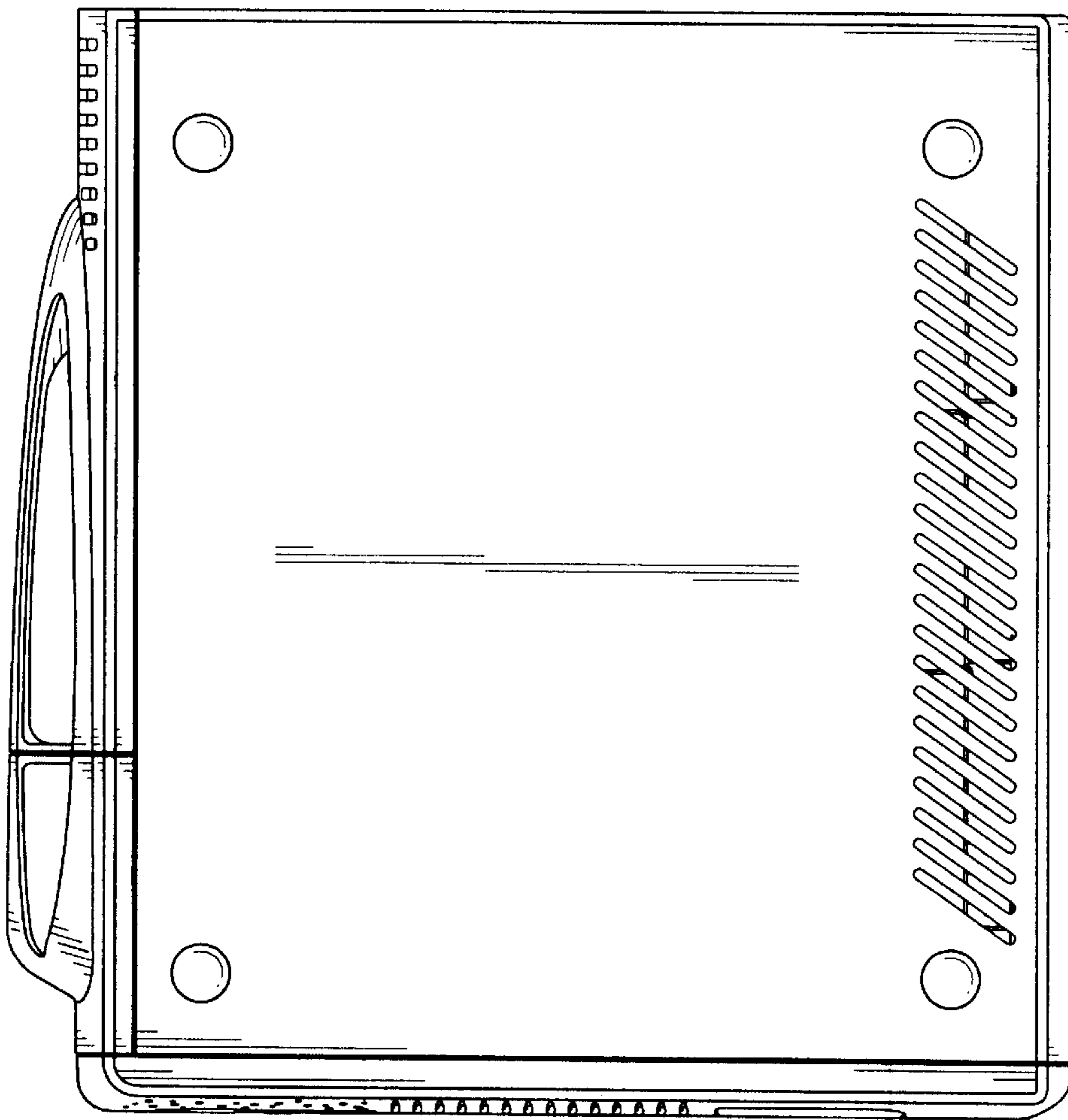


FIG. 5

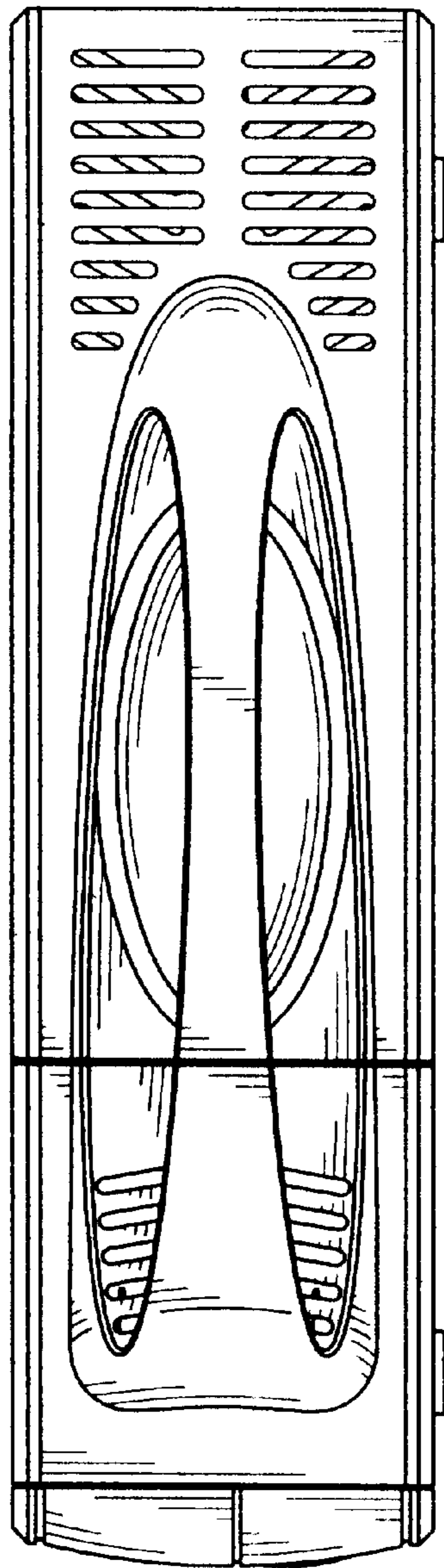


FIG. 6

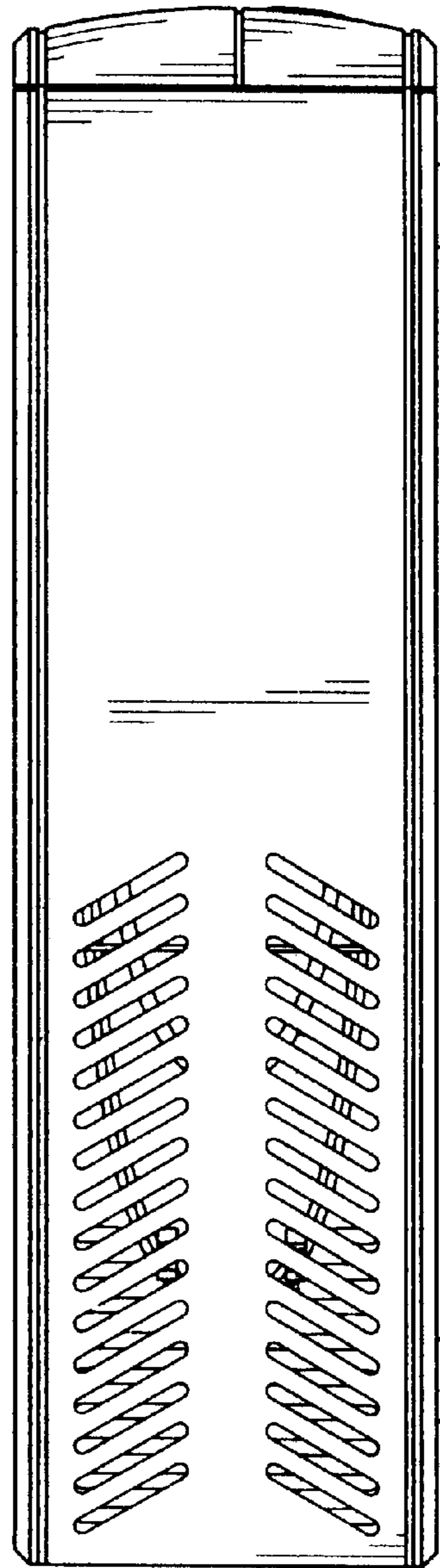


FIG. 7