



US00D488803S

(12) **United States Design Patent**
Chin et al.

(10) **Patent No.:** **US D488,803 S**

(45) **Date of Patent:** **** Apr. 20, 2004**

(54) **SPEAKER STAND**

(75) Inventors: **Ming-Hwa Chin**, Taoyuan Hsien (TW);
Wen-Hung Liang, Taoyuan Hsien
(TW)

(73) Assignee: **Enlight Corporation**, Taoyuan Hsien
(TW)

(**) Term: **14 Years**

(21) Appl. No.: **29/185,583**

(22) Filed: **Jul. 1, 2003**

(51) **LOC (7) Cl.** **14-01**

(52) **U.S. Cl.** **D14/224; D14/211**

(58) **Field of Search** D14/204, 207,
D14/209-216, 356, 224; D6/449, 455, 466,
457, 486; 181/143-144, 147-148, 150,
157, 198-199, 151, 153; 381/300-302,
306, 333, 345, 361-364, 386-388; 248/176.1,
638, 676, 346.1, 188.1, 188.4; 108/5

(56) **References Cited**

U.S. PATENT DOCUMENTS

D318,672 S * 7/1991 Derain D14/224

D319,242 S * 8/1991 Furuno D14/204
5,169,104 A * 12/1992 Kwoh 248/176.1
D360,887 S * 8/1995 Karnaze D14/224
D400,735 S * 11/1998 House et al. D6/466
D451,494 S * 12/2001 Oikawa D14/211
D454,263 S * 3/2002 Worrall D6/449
D475,991 S * 6/2003 Hisatsune D14/211

* cited by examiner

Primary Examiner—Nanda Bondade

(74) *Attorney, Agent, or Firm*—Troxell Law Office PLLC

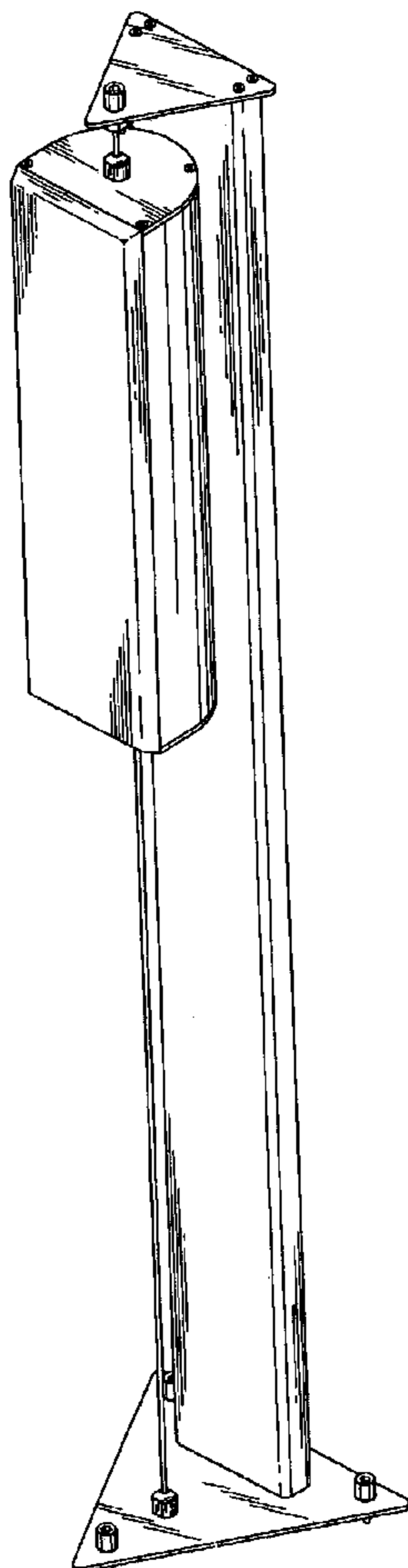
(57) **CLAIM**

The ornamental design for a speaker stand, as shown.

DESCRIPTION

FIG. 1 is a front perspective view of a speaker stand showing my new design;
FIG. 2 is a front elevational view thereof;
FIG. 3 is a rear elevational view thereof;
FIG. 4 is a left side elevational view thereof;
FIG. 5 is a right side elevational view thereof;
FIG. 6 is a top plan view thereof; and,
FIG. 7 is a bottom plan view thereof.

1 Claim, 6 Drawing Sheets



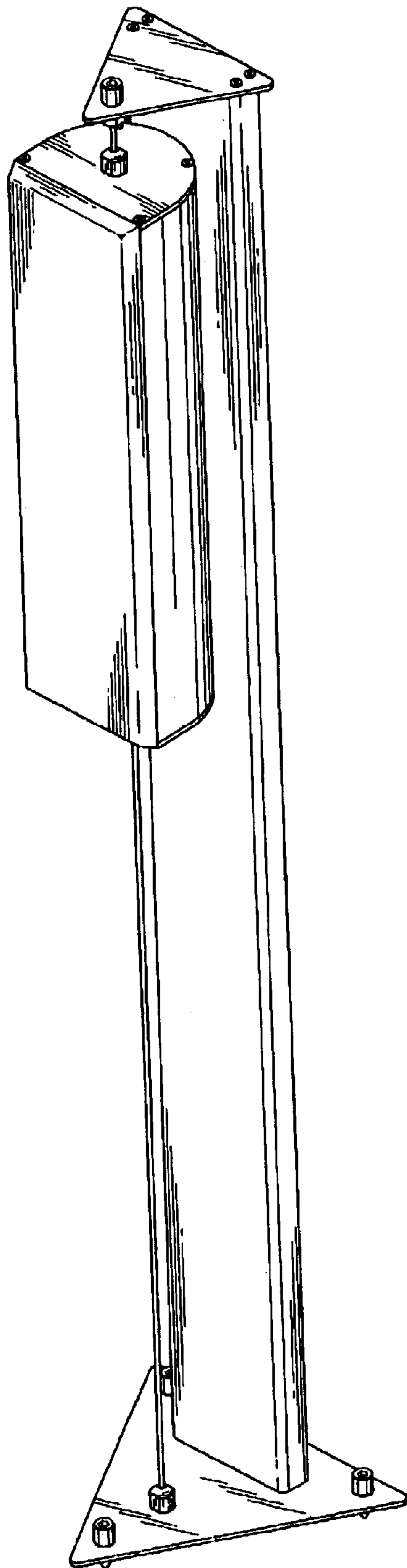


Fig. 1

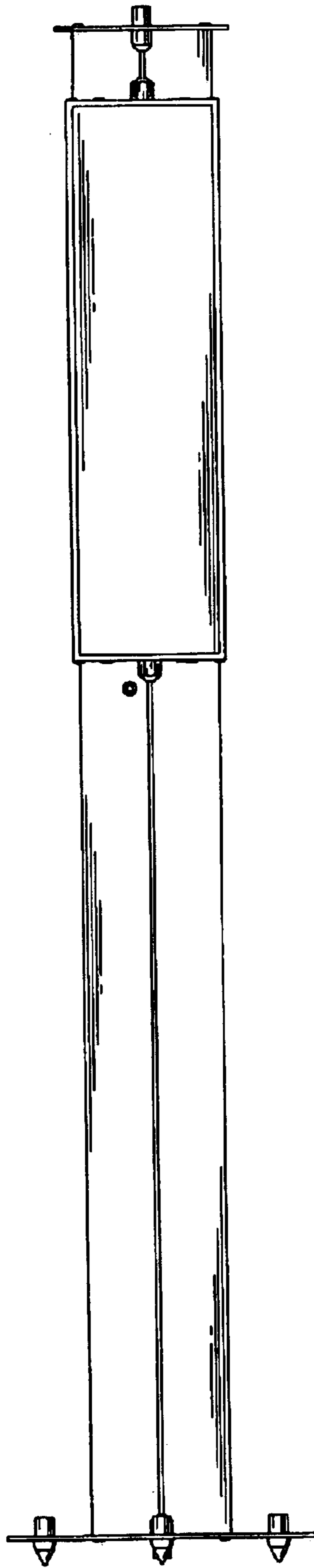


Fig. 2

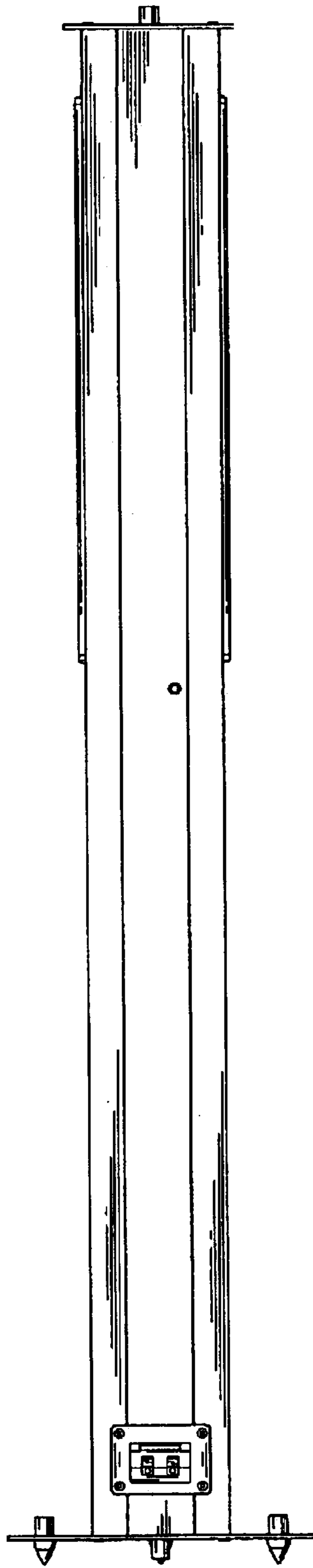


Fig. 3

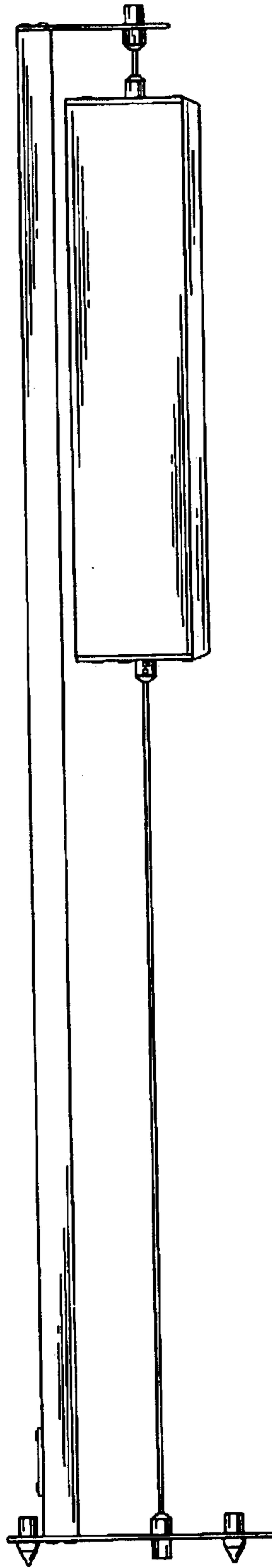


Fig. 4

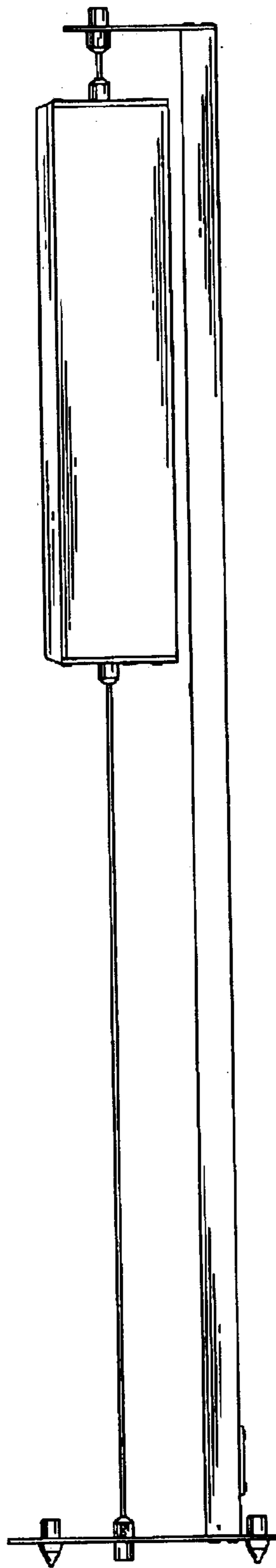


Fig. 5

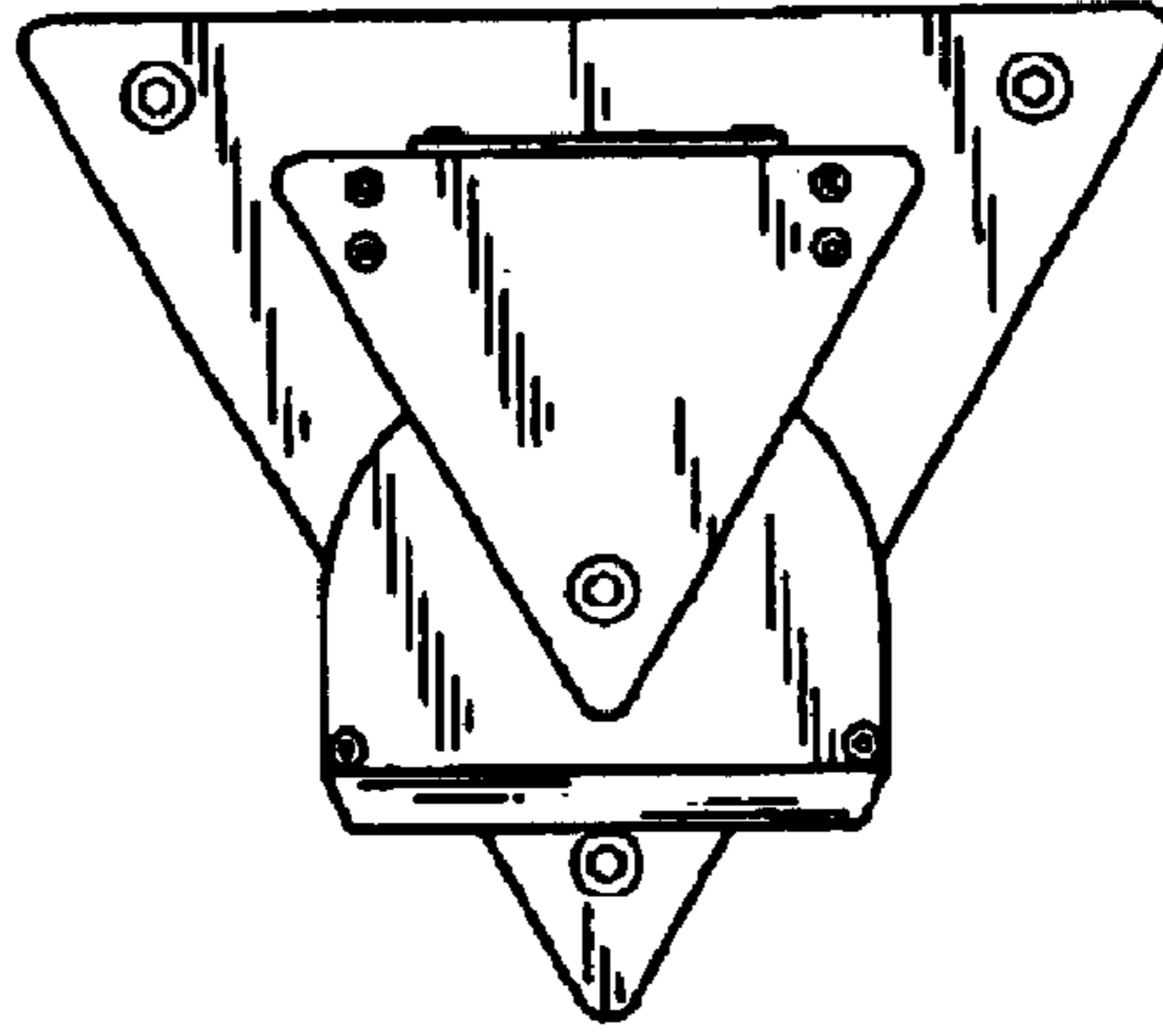


Fig. 6

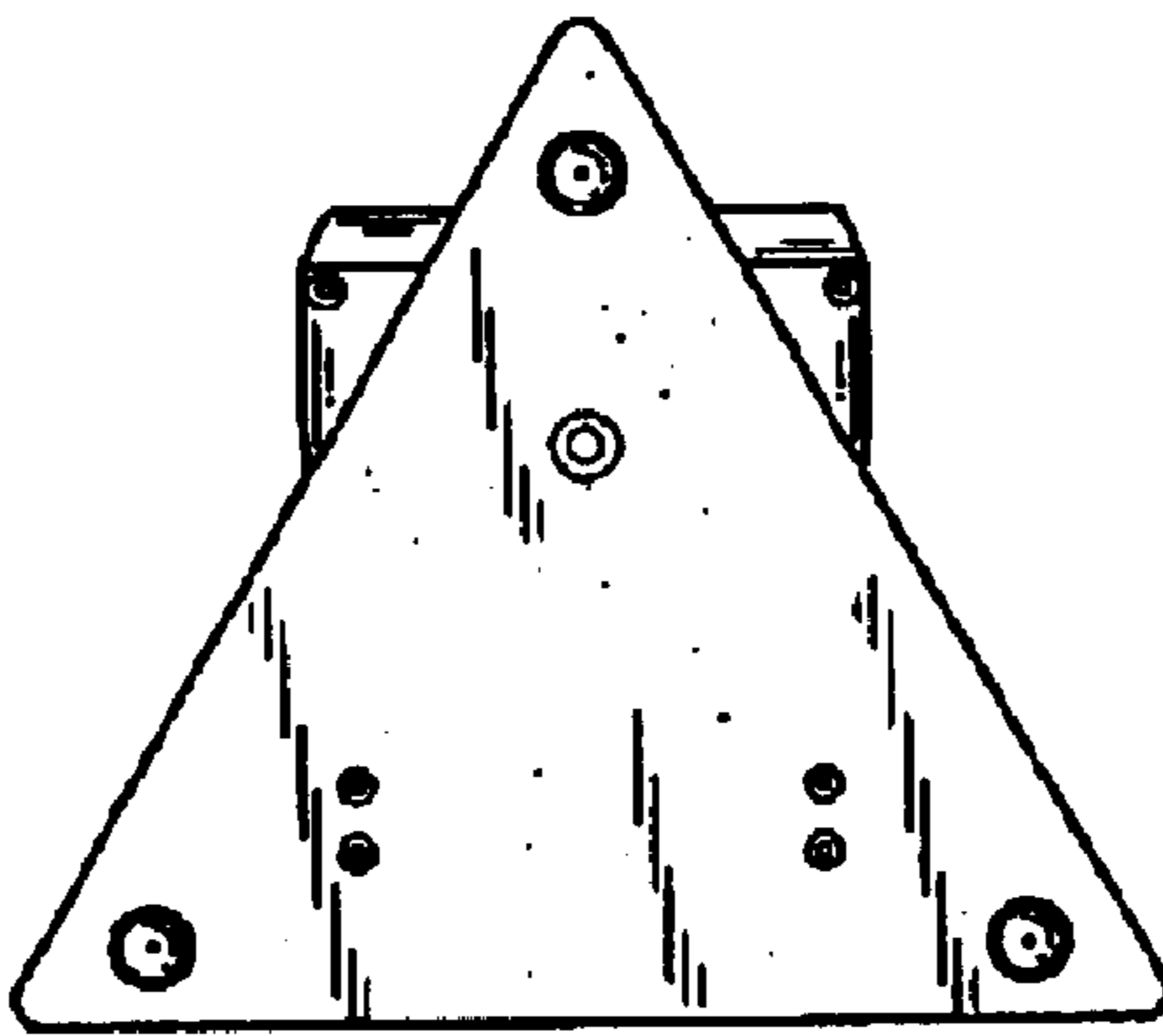


Fig. 7