



US00D488797S

(12) **United States Design Patent**  
**Hioki**

(10) **Patent No.:** **US D488,797 S**

(45) **Date of Patent:** **\*\* Apr. 20, 2004**

(54) **COMBINED DISC PLAYER AND RADIO RECEIVER**

(75) Inventor: **Tsutomo Hioki**, Tokyo (JP)

(73) Assignee: **Sony Corporation**, Tokyo (JP)

(\*\*) Term: **14 Years**

(21) Appl. No.: **29/182,823**

(22) Filed: **Jun. 3, 2003**

(51) **LOC (7) Cl.** ..... **14-01**

(52) **U.S. Cl.** ..... **D14/168**

(58) **Field of Search** ..... D14/135-136,  
D14/156-157, 160-165, 167-168, 188,  
193-198, 217; 369/75.1, 75.2, 77.1, 77.2;  
381/86, 120; 455/344, 346-351

(56) **References Cited**

**U.S. PATENT DOCUMENTS**

D414,184 S	*	9/1999	Ito et al. ....	D14/168
D452,852 S	*	1/2002	Hyogo et al. ....	D14/168
D455,415 S		4/2002	Suzuki	
D467,569 S	*	12/2002	Kobayashi ....	D14/168
D473,206 S		4/2003	Sasago et al.	

**OTHER PUBLICATIONS**

Web page "Sony eCatalog", <http://www.ecat.sony.co.jp/audio/systemstereo/products/index.cfm?PD=8747&KM=...>, 1 sheet, Sony (Feb. 2003).

Web page "Sony Drive" <http://www.sony.jp/products/Models/Library/CMT-J100.html>, 1 sheet, Sony (Feb. 2003).

Web page "Sony Drive" <http://www.sony.jp/products/Models/Library/CMT-PX5W.html>, 1 sheet, Sony (Feb. 2003).

\* cited by examiner

*Primary Examiner*—Nanda Bondade

(74) *Attorney, Agent, or Firm*—Rader, Fishman & Grauer PLLC

(57) **CLAIM**

The ornamental design for a combined disc player and radio receiver, as shown.

**DESCRIPTION**

FIG. 1 is a perspective view of a combined disc player and radio receiver showing my new design;

FIG. 2 is a front elevational view thereof;

FIG. 3 is a rear elevational view thereof;

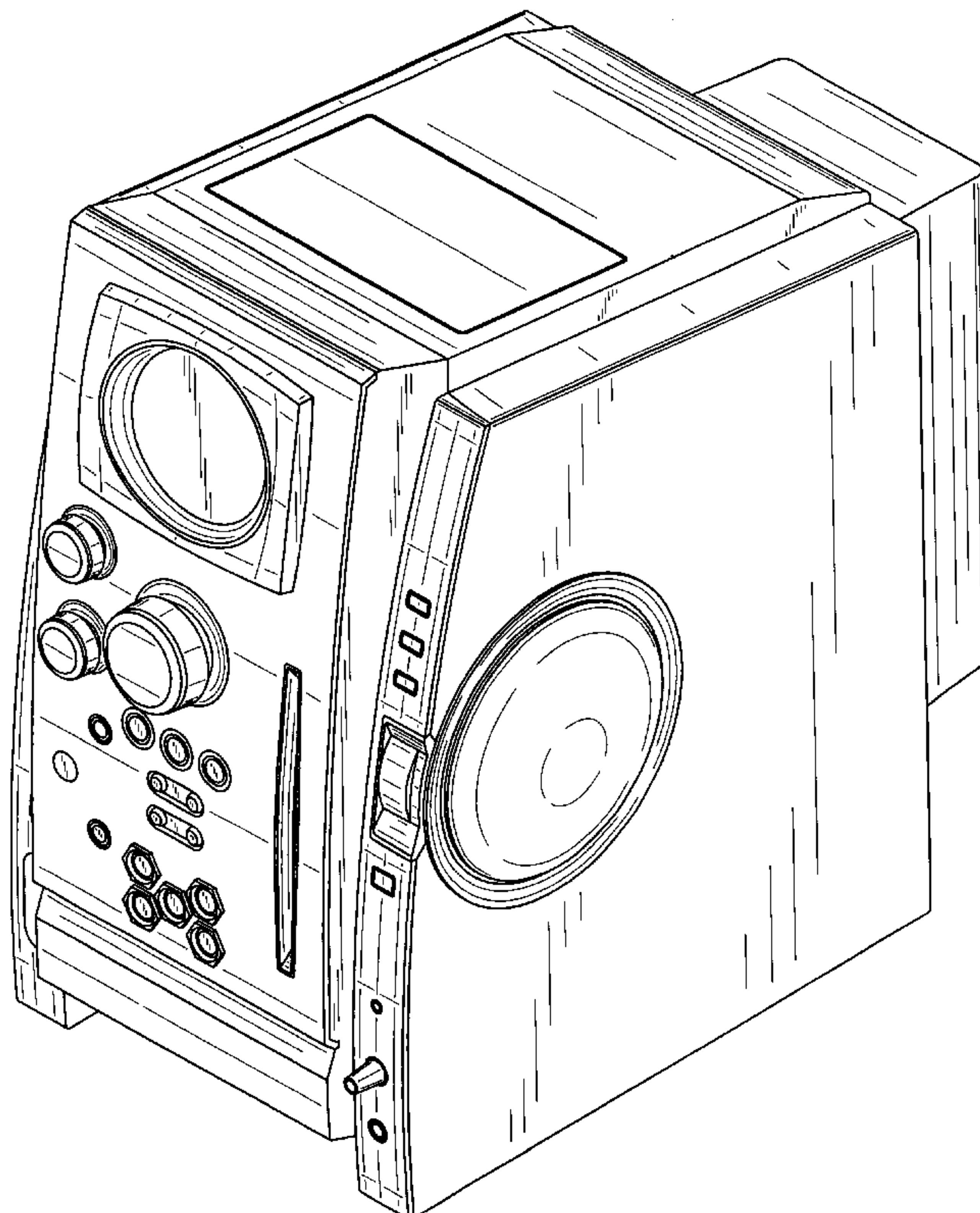
FIG. 4 is a left side elevational view thereof;

FIG. 5 is a right side elevational view thereof;

FIG. 6 is a top plan view thereof; and,

FIG. 7 is a bottom plan view thereof.

**1 Claim, 4 Drawing Sheets**



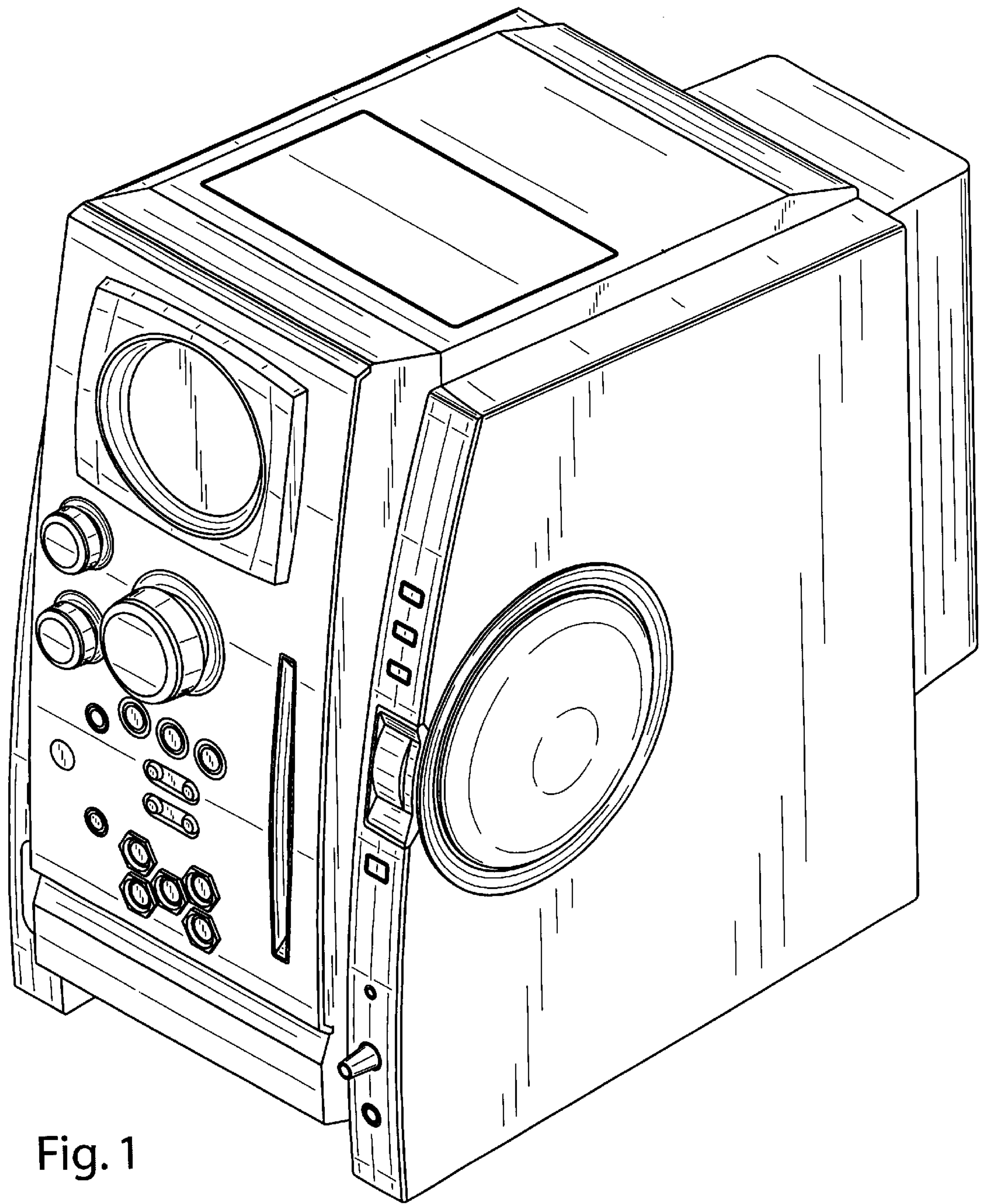


Fig. 1

Fig. 2

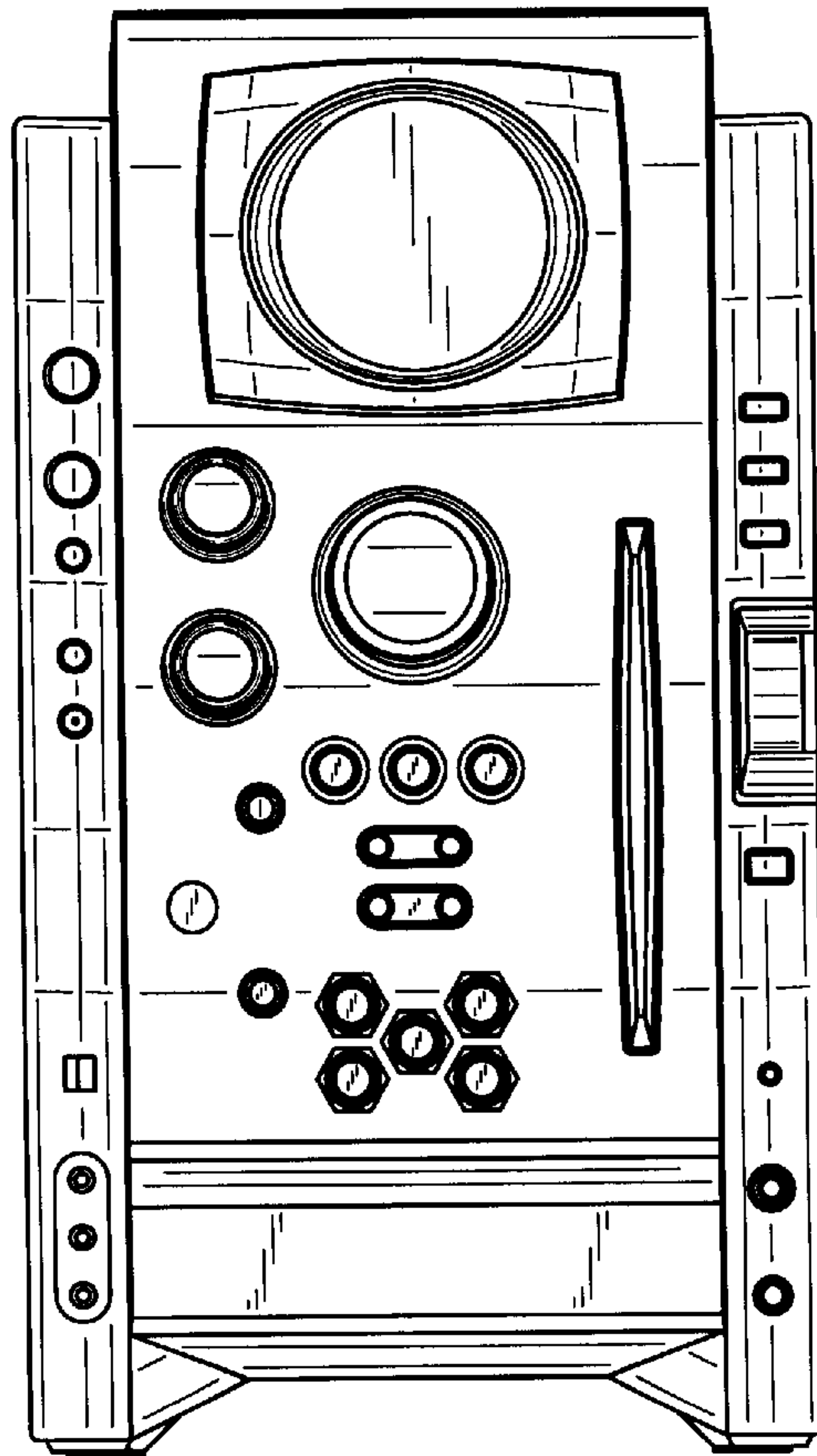
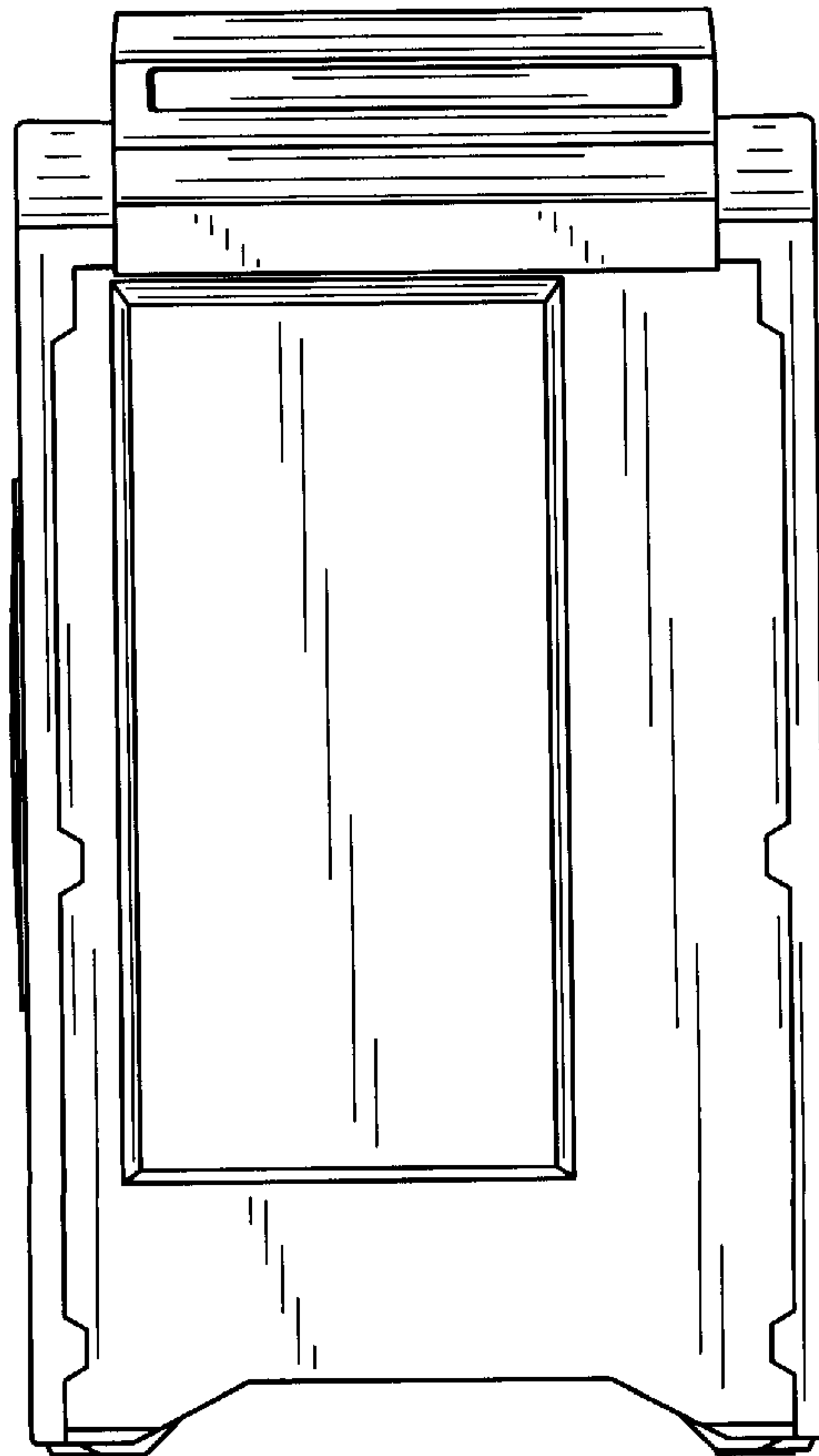


Fig. 3



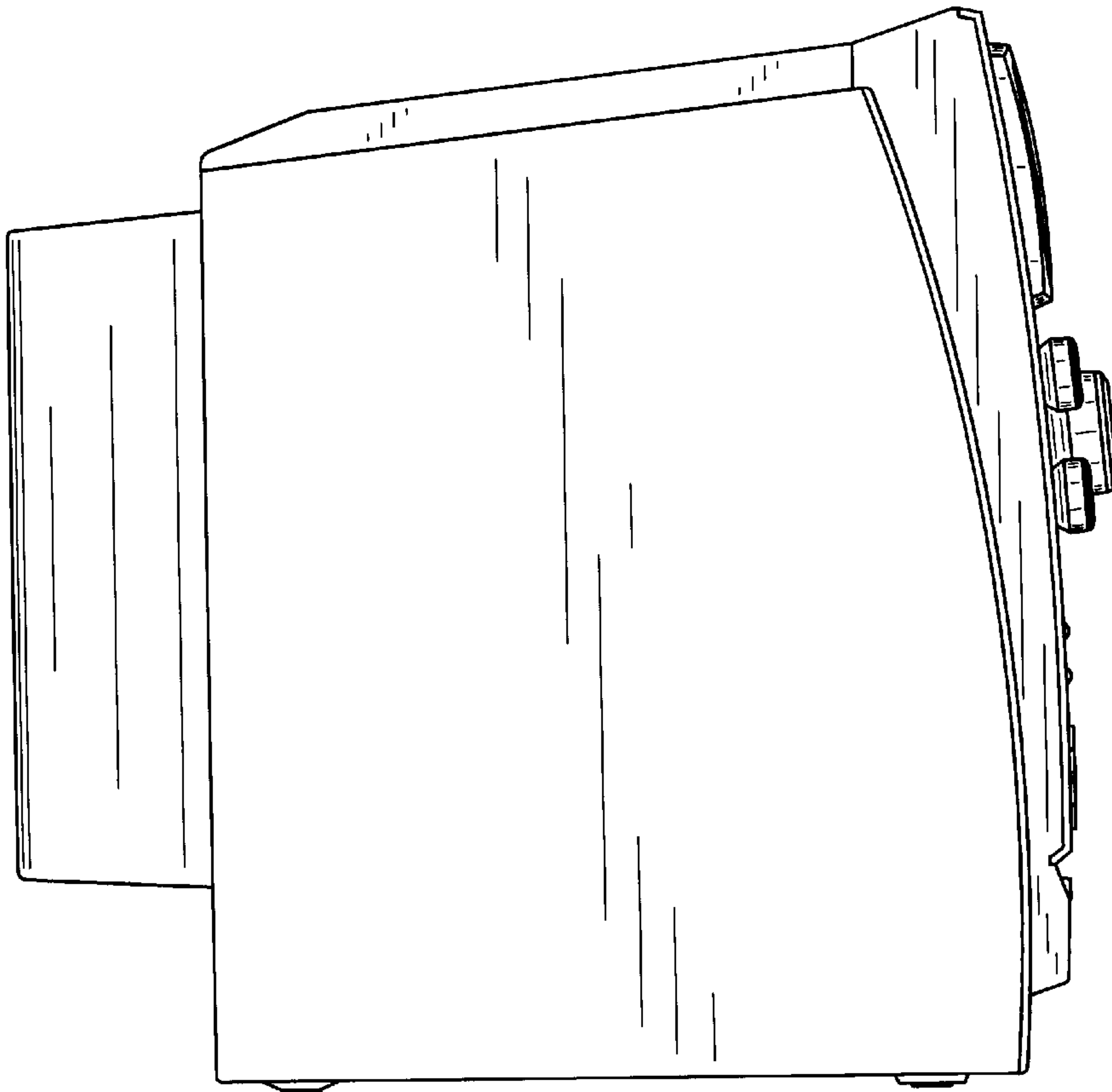


Fig. 4

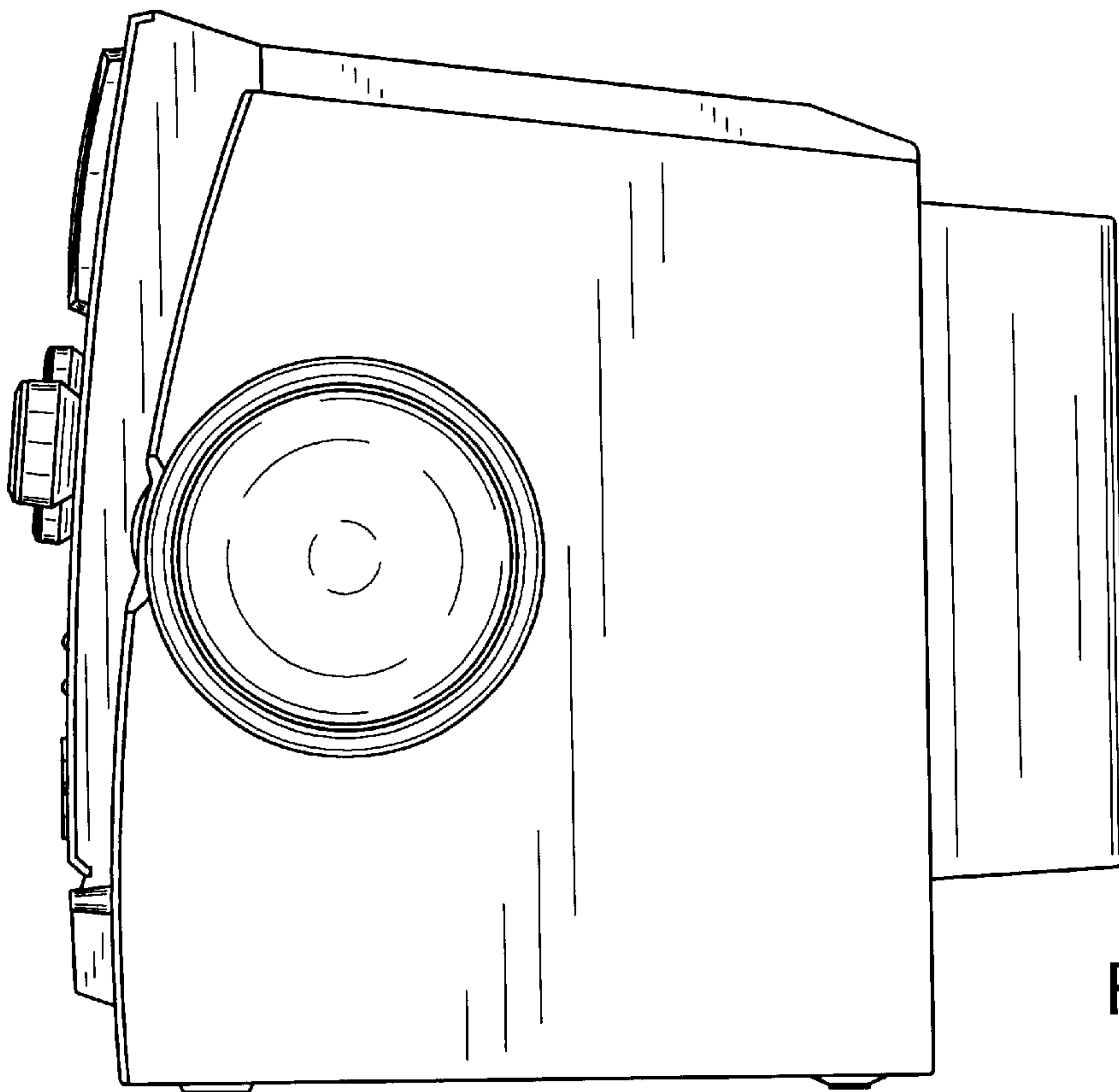


Fig. 5



Fig. 6

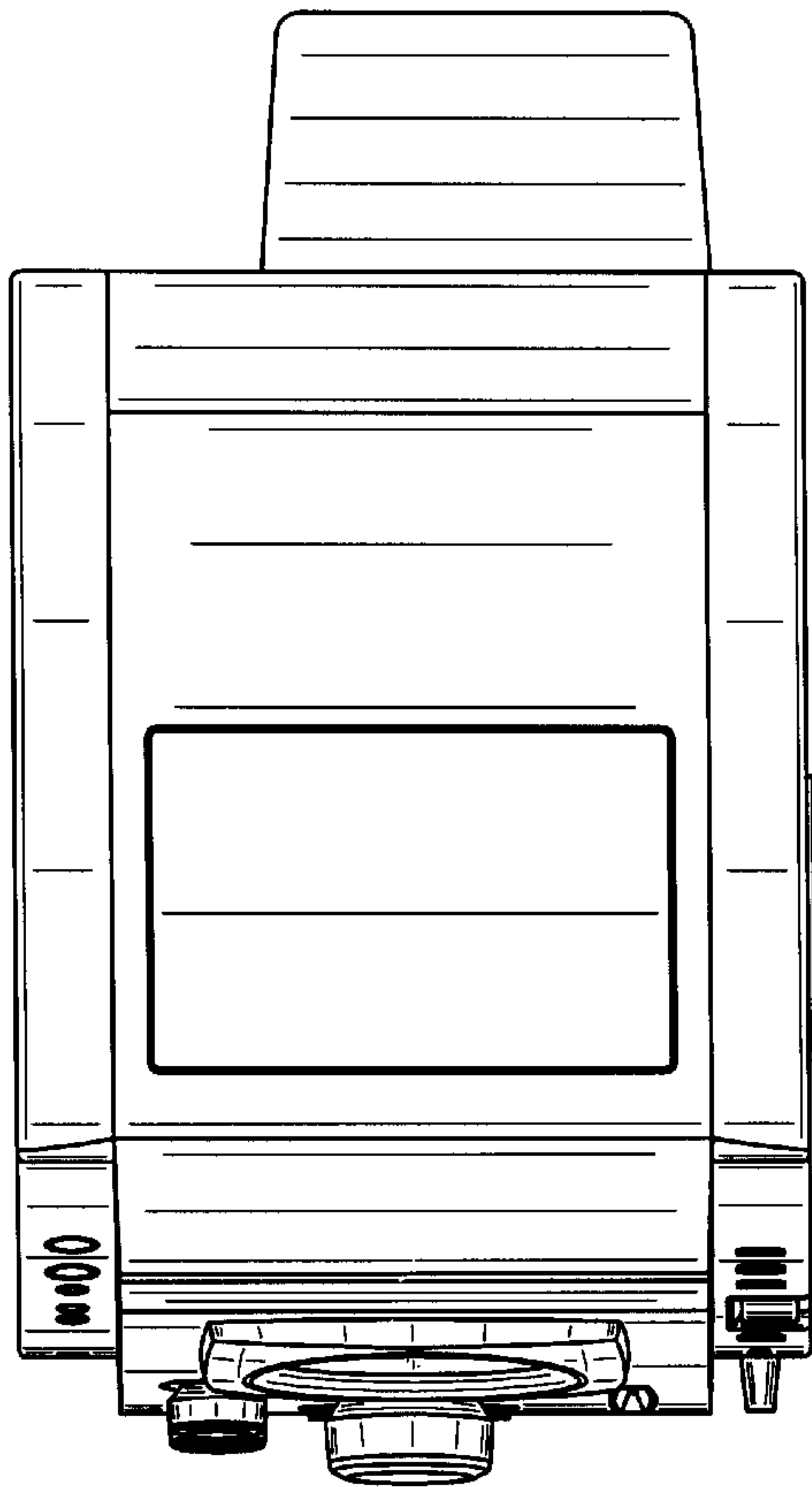


Fig. 7

