



US00D488796S

(12) **United States Design Patent**  
**Hirano**

(10) **Patent No.:** **US D488,796 S**  
(45) **Date of Patent:** **\*\* Apr. 20, 2004**

(54) **DISC PLAYER**

(75) Inventor: **Shinpei Hirano**, Tokyo (JP)

(73) Assignee: **Sony Corporation**, Tokyo (JP)

(\*\*) Term: **14 Years**

(21) Appl. No.: **29/182,934**

(22) Filed: **Jun. 4, 2003**

(51) **LOC (7) Cl.** ..... **14-01**

(52) **U.S. Cl.** ..... **D14/156**

(58) **Field of Search** ..... D14/135-136,  
D14/156-157, 167-168, 188, 193-198,  
257-258; 369/75.1, 75.2, 77.1, 77.2; 455/344,  
347, 350-351

(56) **References Cited**

**U.S. PATENT DOCUMENTS**

|            |          |           |         |
|------------|----------|-----------|---------|
| D376,800 S | 12/1996  | Shudo     |         |
| D386,491 S | 11/1997  | Masamitsu |         |
| D431,544 S | 10/2000  | Kobayashi |         |
| D433,672 S | 11/2000  | Kobayashi |         |
| D446,203 S | * 8/2001 | Arpe      | D14/156 |
| D458,243 S | * 6/2002 | Kobayashi | D14/156 |
| D462,942 S | * 9/2002 | Murakami  | D14/156 |
| D470,469 S | 2/2003   | Hirano    |         |
| D471,529 S | * 3/2003 | Wada      | D14/156 |
| D471,885 S | * 3/2003 | Wada      | D14/156 |

**OTHER PUBLICATIONS**

Web page "Rio Volt SP50" <http://www.sonicblue.co.jp/products/riovoltsp50.html>, 1 sheet, Sonicblue (Dec. 2002).  
Web page "Rio Volt SP90" <http://www.sonicblue.co.jp/products/riovoltsp90.html>, 1 sheet, Sonicblue (Dec. 2002).

Web Page "RioVolt SP100" <http://www.sonicblue.co.jp/products/riovoltsp100.html>, 1 sheet, Sonicblue (Dec. 2002).

Web page "RioVolt SP250" <http://www.sonicblue.co.jp/products/rivovoltsp250.html>, 1 sheet, Sonicblue (Dec. 2002).

Web page "SonyStyle" <http://www.jp.sonystyle.com/Qnavi/Detail/MZ-N910-S.html>, 1 sheet, Sony (Mar. 2003).

\* cited by examiner

*Primary Examiner*—Nanda Bondade  
(74) *Attorney, Agent, or Firm*—Rader, Fishman & Grauer PLLC

(57) **CLAIM**

The ornamental design for a disc player, as shown.

**DESCRIPTION**

FIG. 1 is a perspective view of a disc player showing my new design;

FIG. 2 is a front elevational view thereof;

FIG. 3 is a rear elevational view thereof;

FIG. 4 is a left side elevational view thereof;

FIG. 5 is a right side elevational view thereof;

FIG. 6 is a top plan view thereof; and,

FIG. 7 is a bottom plan view thereof.

**1 Claim, 4 Drawing Sheets**

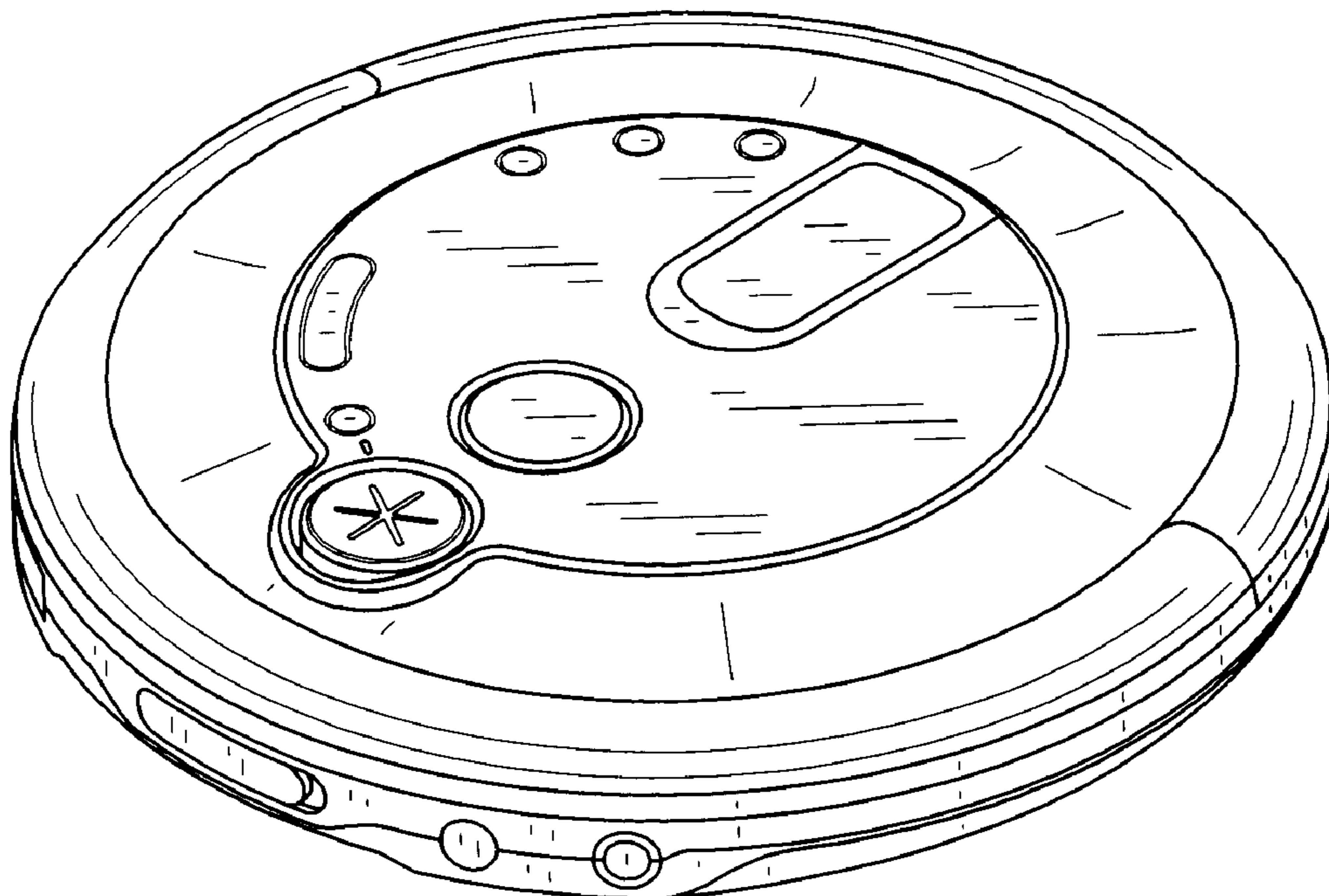


FIG. 1

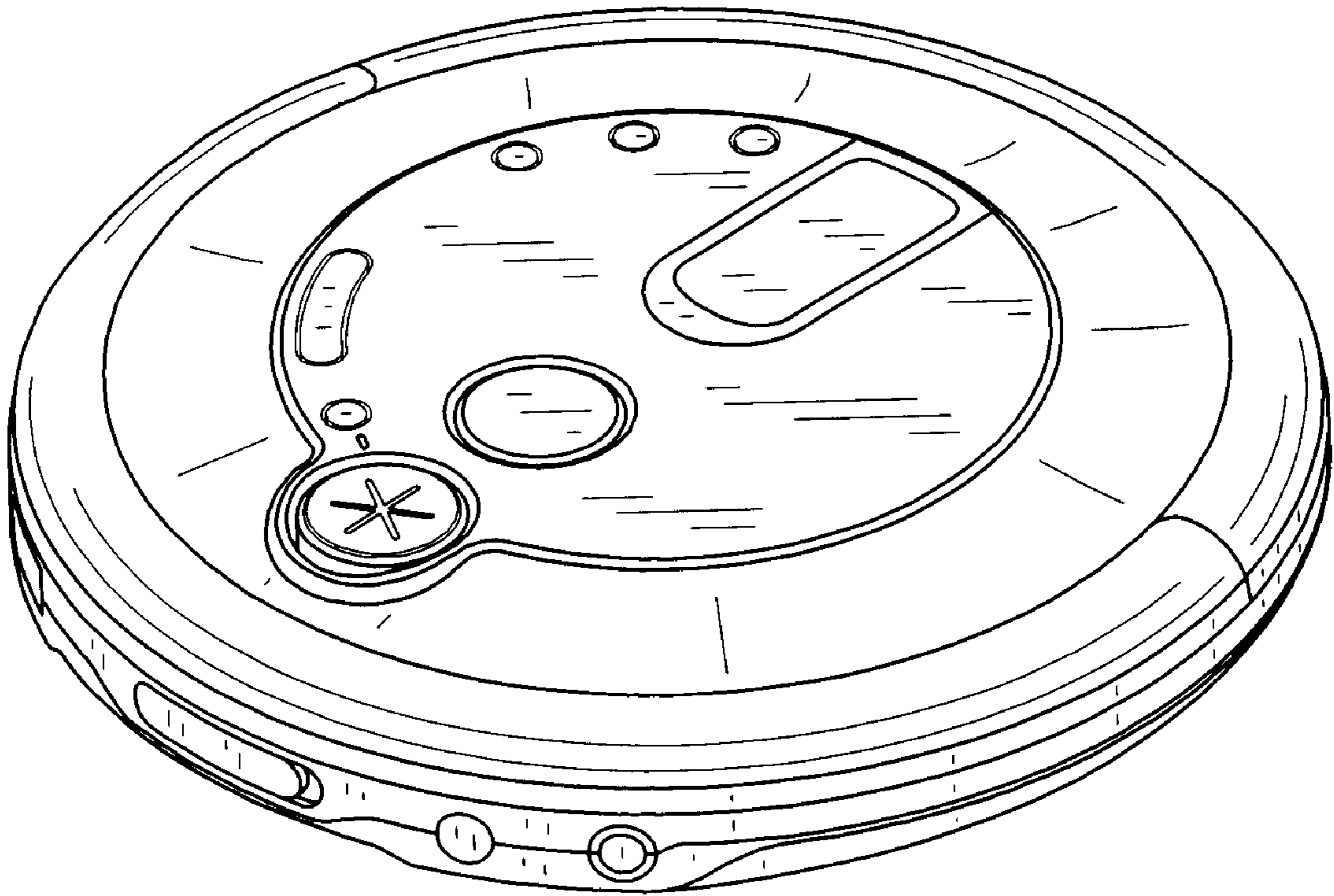


FIG. 2

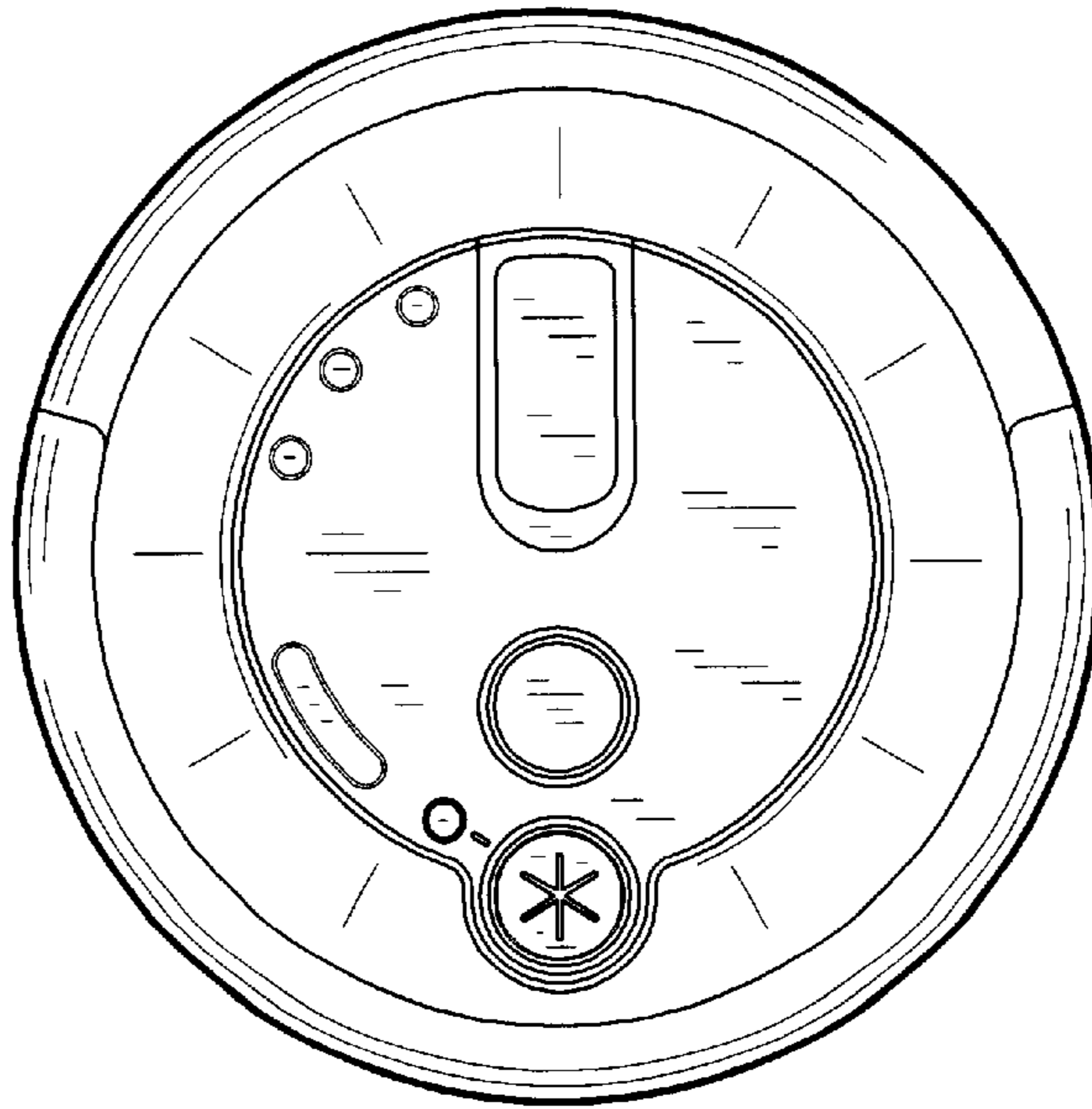


FIG. 3

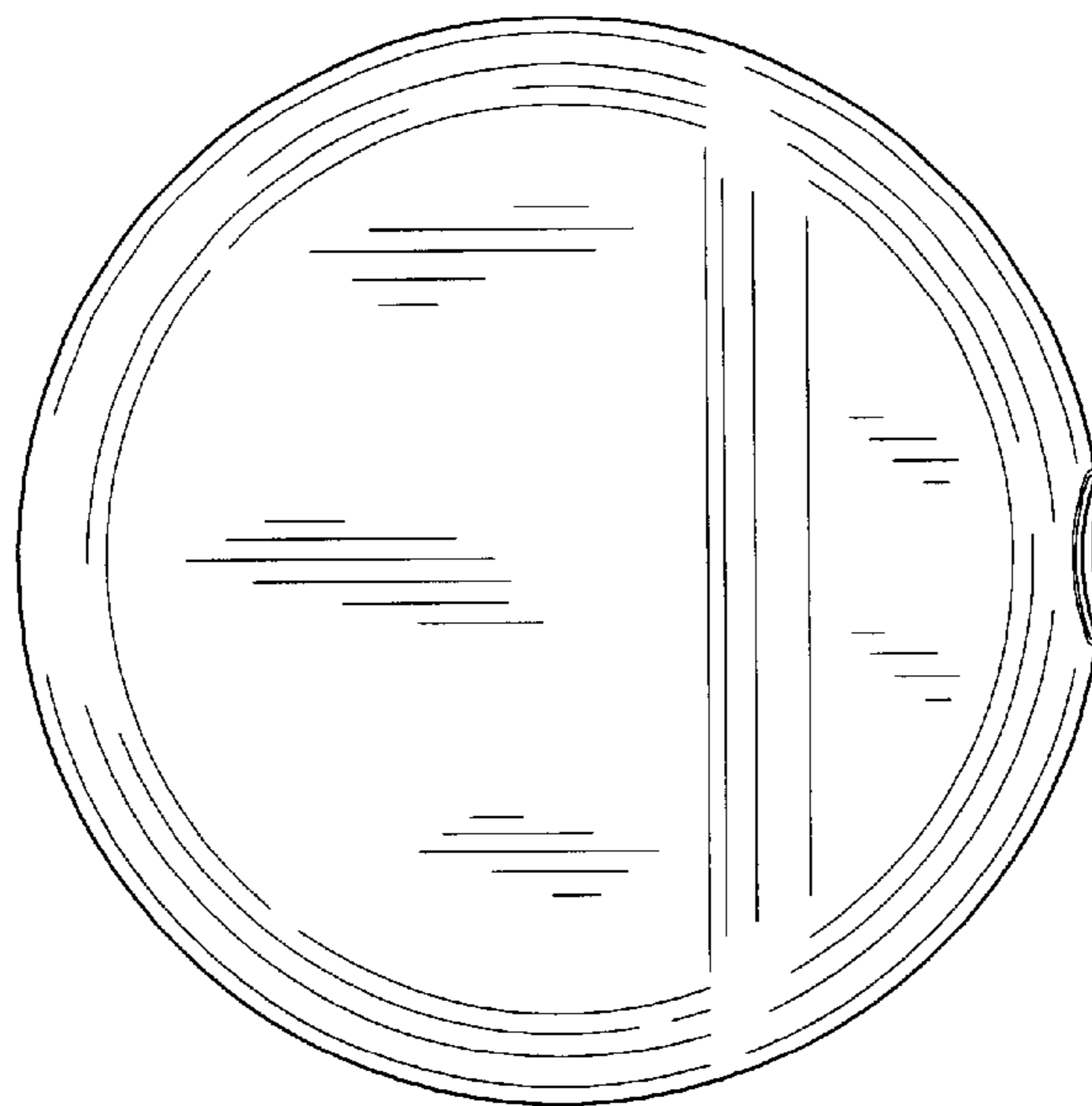


FIG. 5

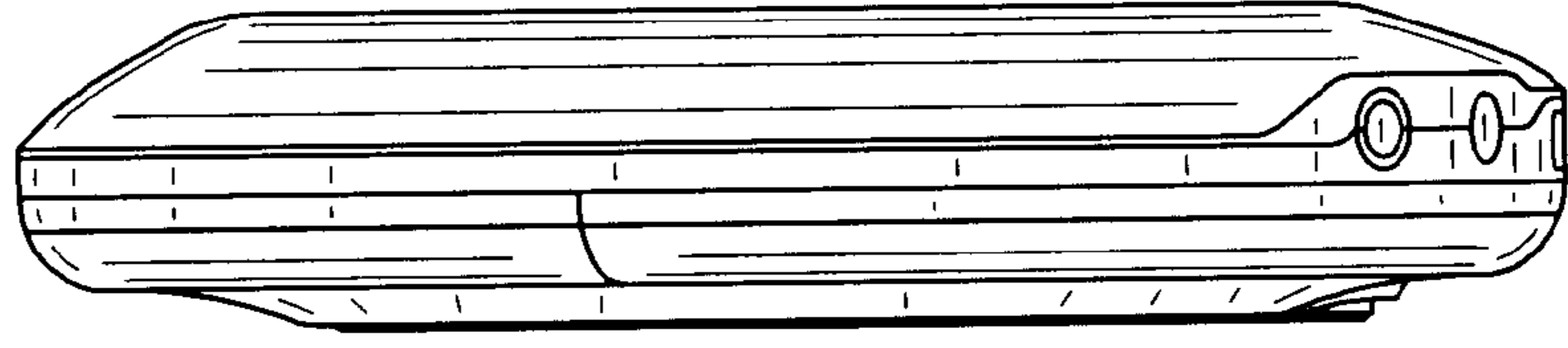


FIG. 4

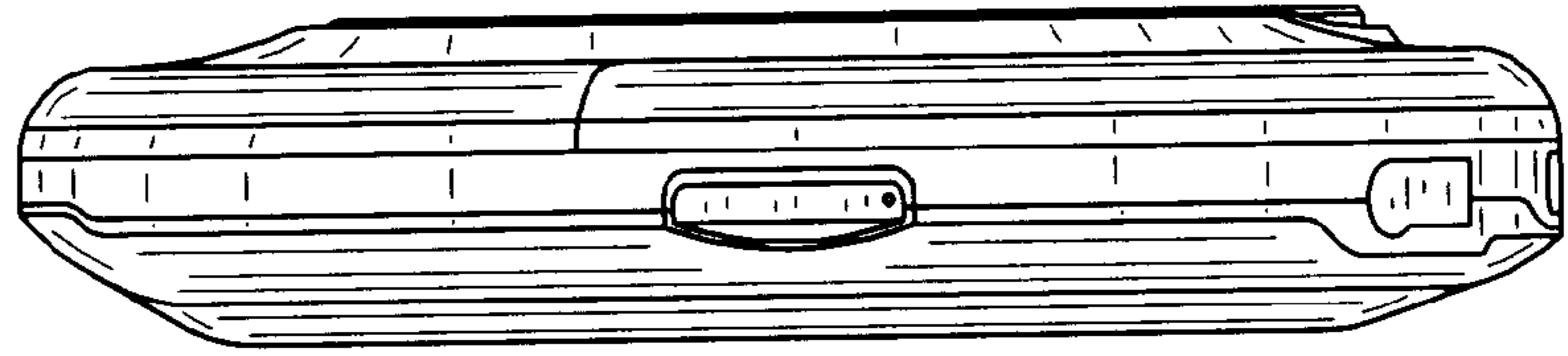


FIG. 6

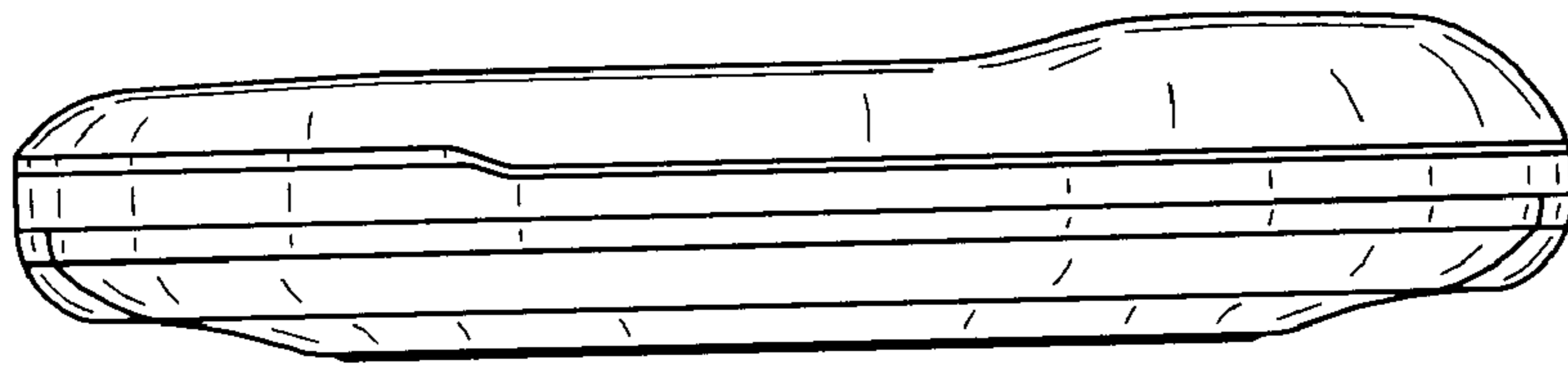


FIG. 7

