



US00D488795S

(12) **United States Design Patent**  
**Christianson**

(10) **Patent No.:** **US D488,795 S**

(45) **Date of Patent:** **\*\* Apr. 20, 2004**

(54) **RADIO-FREQUENCY TRANSMITTER BASE**

(75) **Inventor:** **Tristan M. Christianson**, San Francisco, CA (US)

(73) **Assignee:** **Sharper Image Corporation**, San Francisco, CA (US)

(\*\*) **Term:** **14 Years**

(21) **Appl. No.:** **29/180,703**

(22) **Filed:** **Apr. 28, 2003**

(51) **LOC (7) Cl.** ..... **14-03**

(52) **U.S. Cl.** ..... **D14/155**

(58) **Field of Search** ..... D10/104, 106;  
D13/108, 133; D14/155, 230, 191-192;  
381/74, 169, 188; 455/89-90

(56) **References Cited**

**U.S. PATENT DOCUMENTS**

D298,942 S	*	12/1988	Pieratt	.....	D14/155
D320,986 S	*	10/1991	Suckley	.....	D14/155
D401,580 S	*	11/1998	Goto	.....	D14/155
D435,472 S	*	12/2000	Dixon	.....	D10/106

**OTHER PUBLICATIONS**

“The Sharper Image” catalog, published by Sharper Image Corporation Issue of Apr. 2002, p. 13., Apr. 28, 2003.

Webpage download on from [www.sharperimage.com/us/en/catalog/productview.jhtml?pid=45937300&pcatid=1&catid=111](http://www.sharperimage.com/us/en/catalog/productview.jhtml?pid=45937300&pcatid=1&catid=111).

\* cited by examiner

*Primary Examiner*—Nanda Bondade

(74) *Attorney, Agent, or Firm*—Fliesler Meyer LLP

(57) **CLAIM**

The ornamental design for a radio-frequency transmitter base, as shown and described.

**DESCRIPTION**

FIG. 1 is a front perspective view of a radio-frequency transmitter base showing my new design;

FIG. 2 is a rear perspective view thereof;

FIG. 3 is a front view thereof;

FIG. 4 is a rear view thereof;

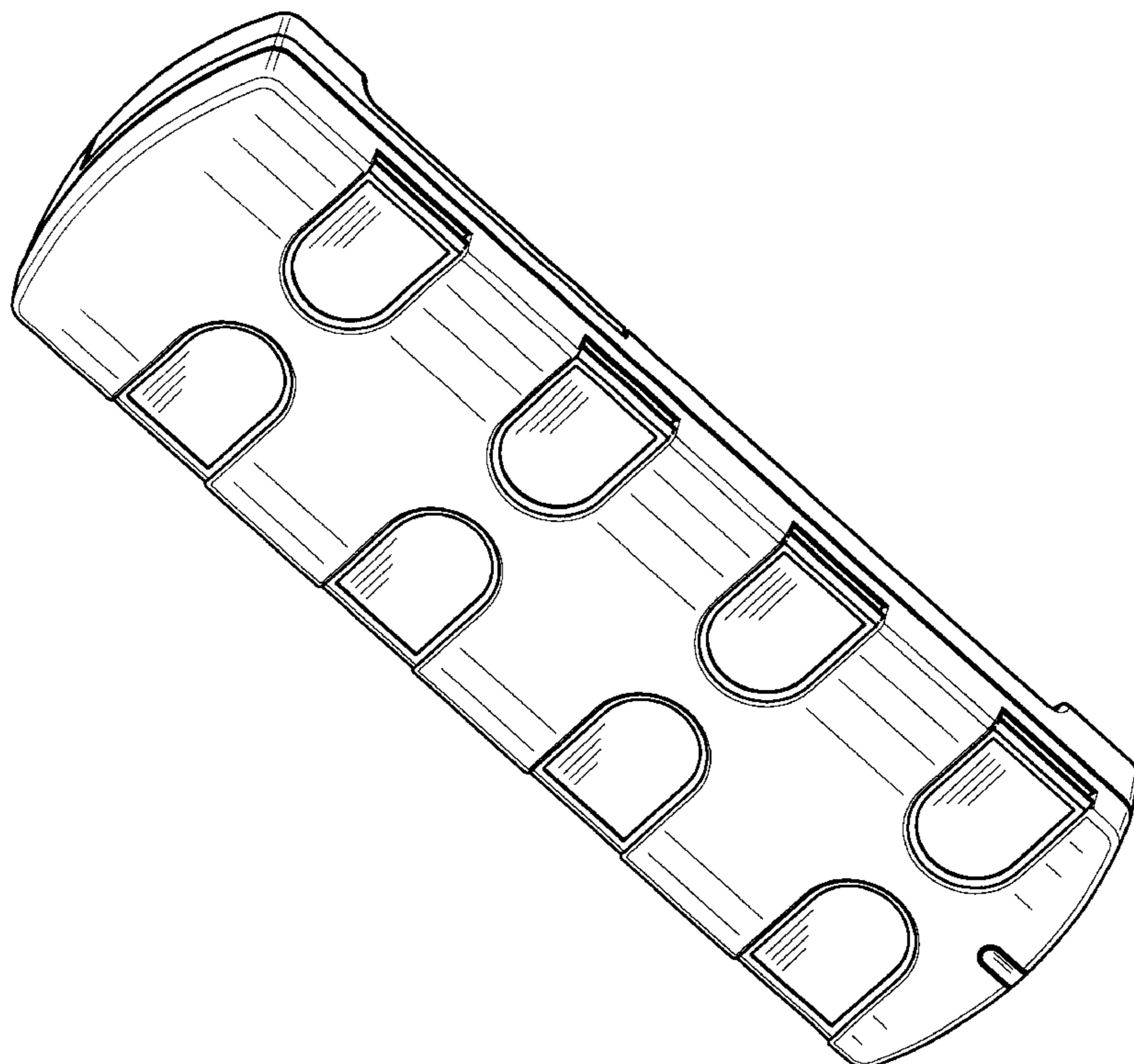
FIG. 5 is a left side view thereof;

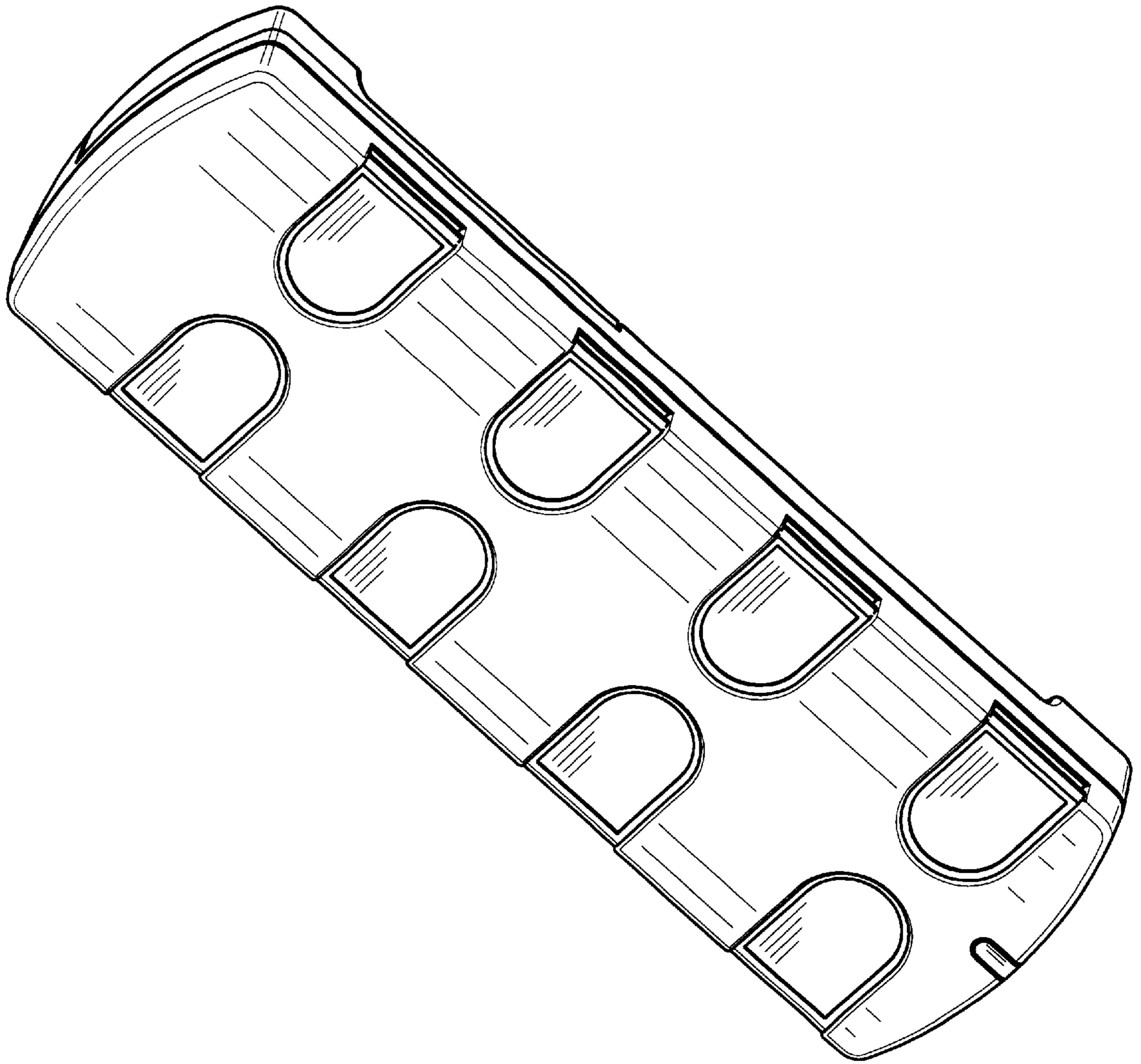
FIG. 6 is a right side view thereof;

FIG. 7 is a top view thereof; and,

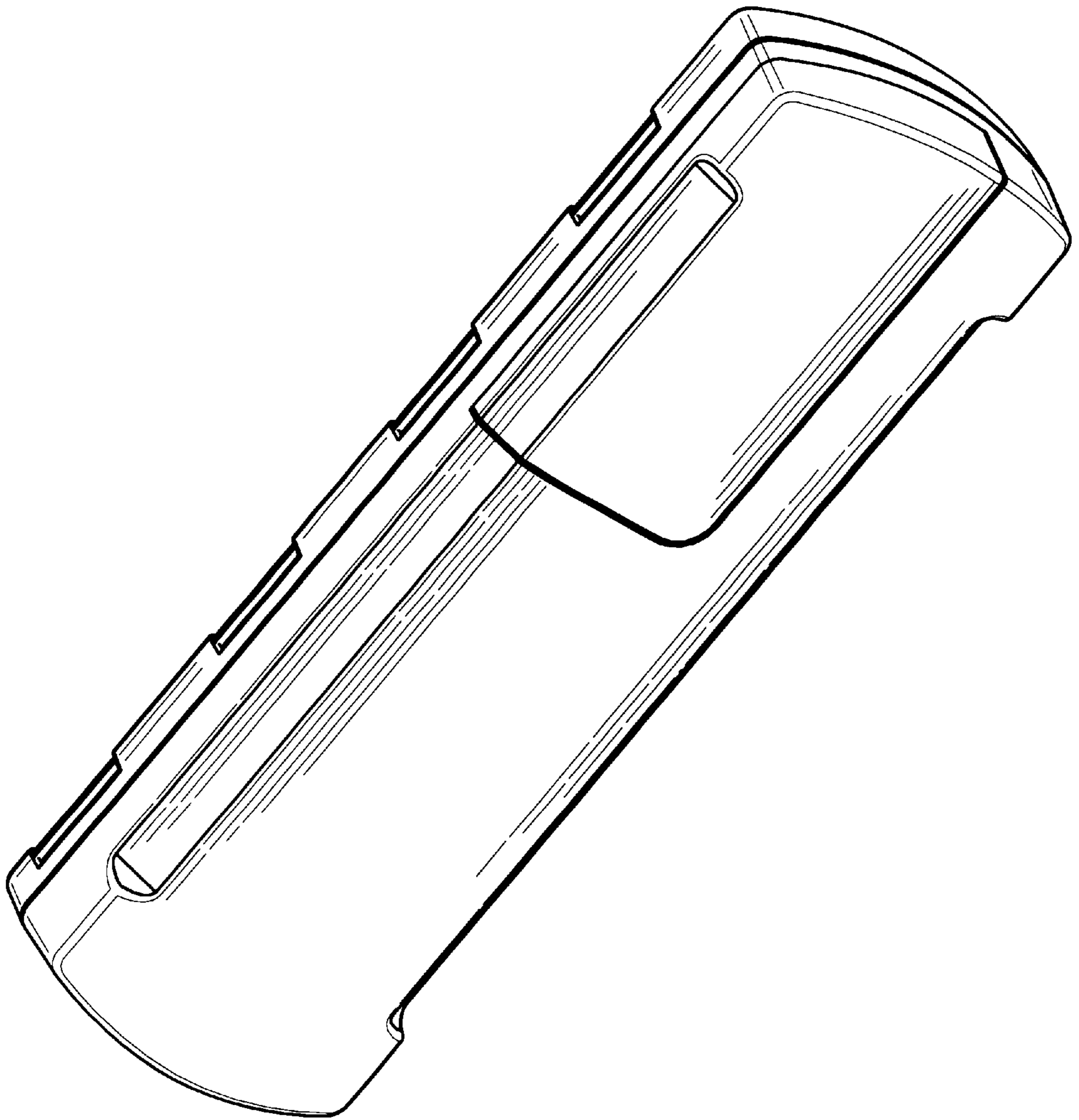
FIG. 8 is a bottom view thereof.

**1 Claim, 4 Drawing Sheets**

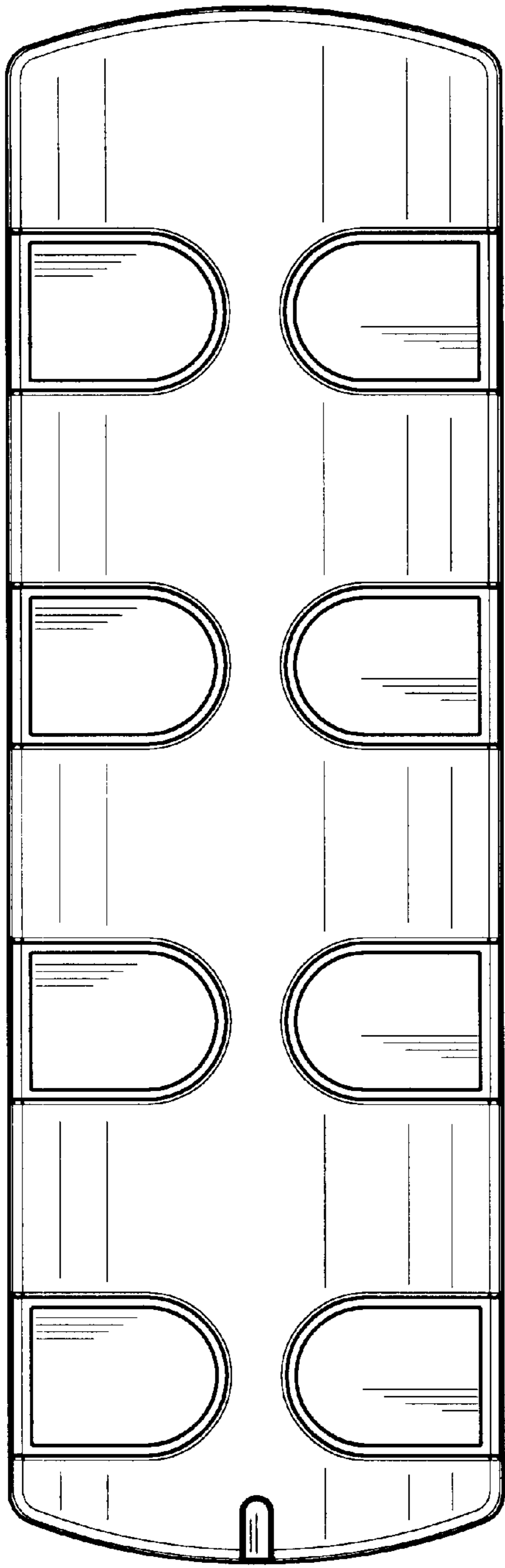




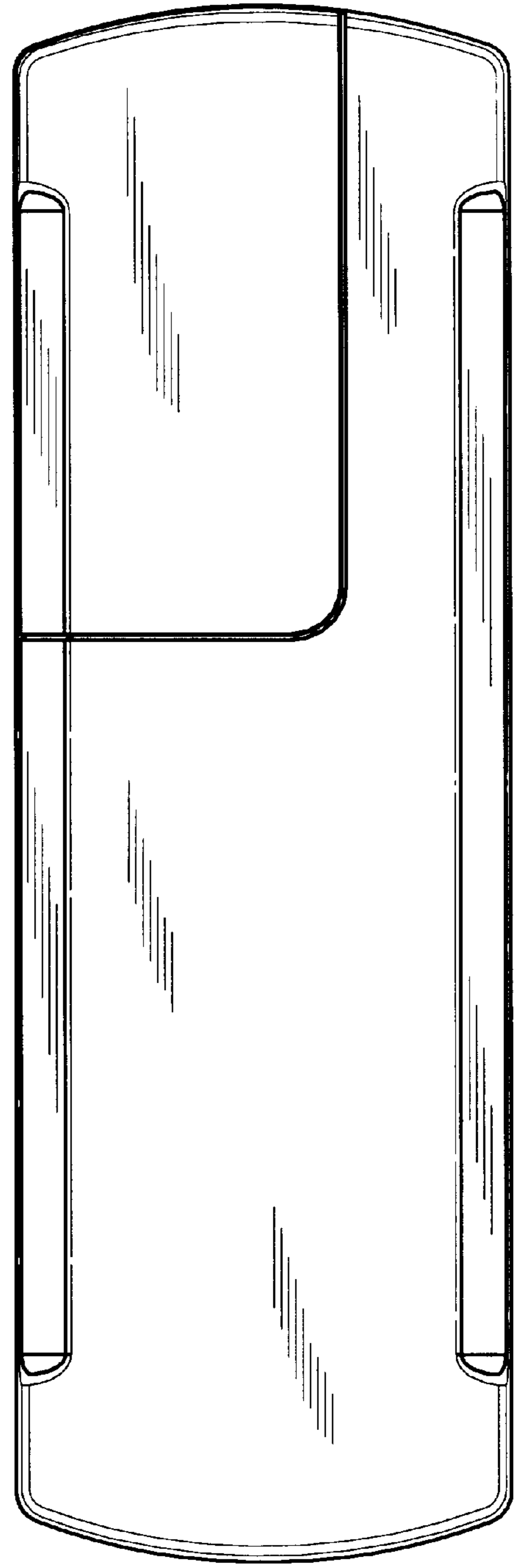
*FIG. 1*



*FIG. 2*

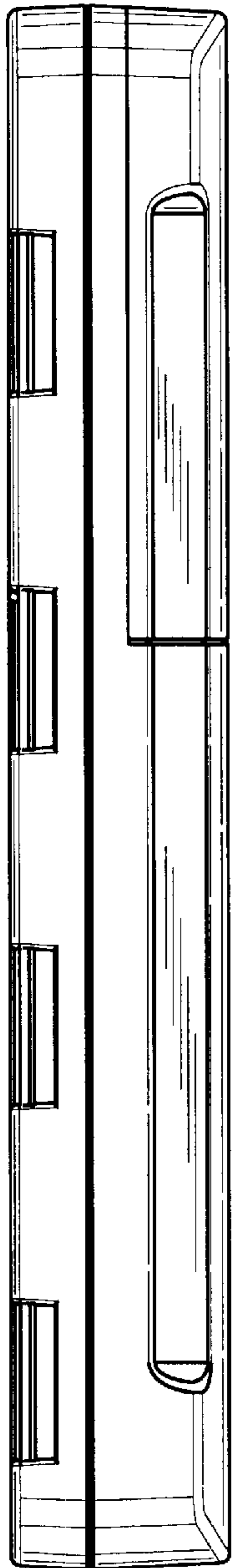


*FIG. 3*



*FIG. 4*

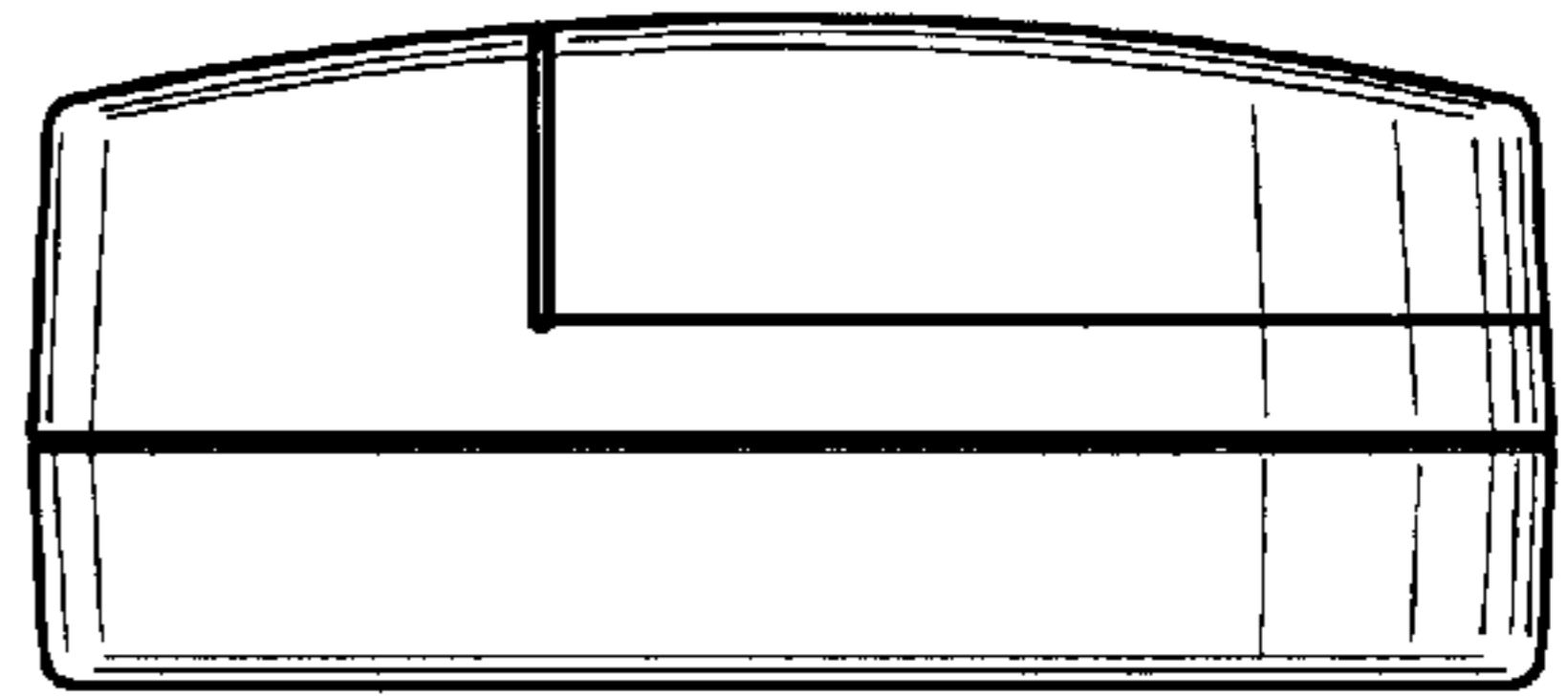




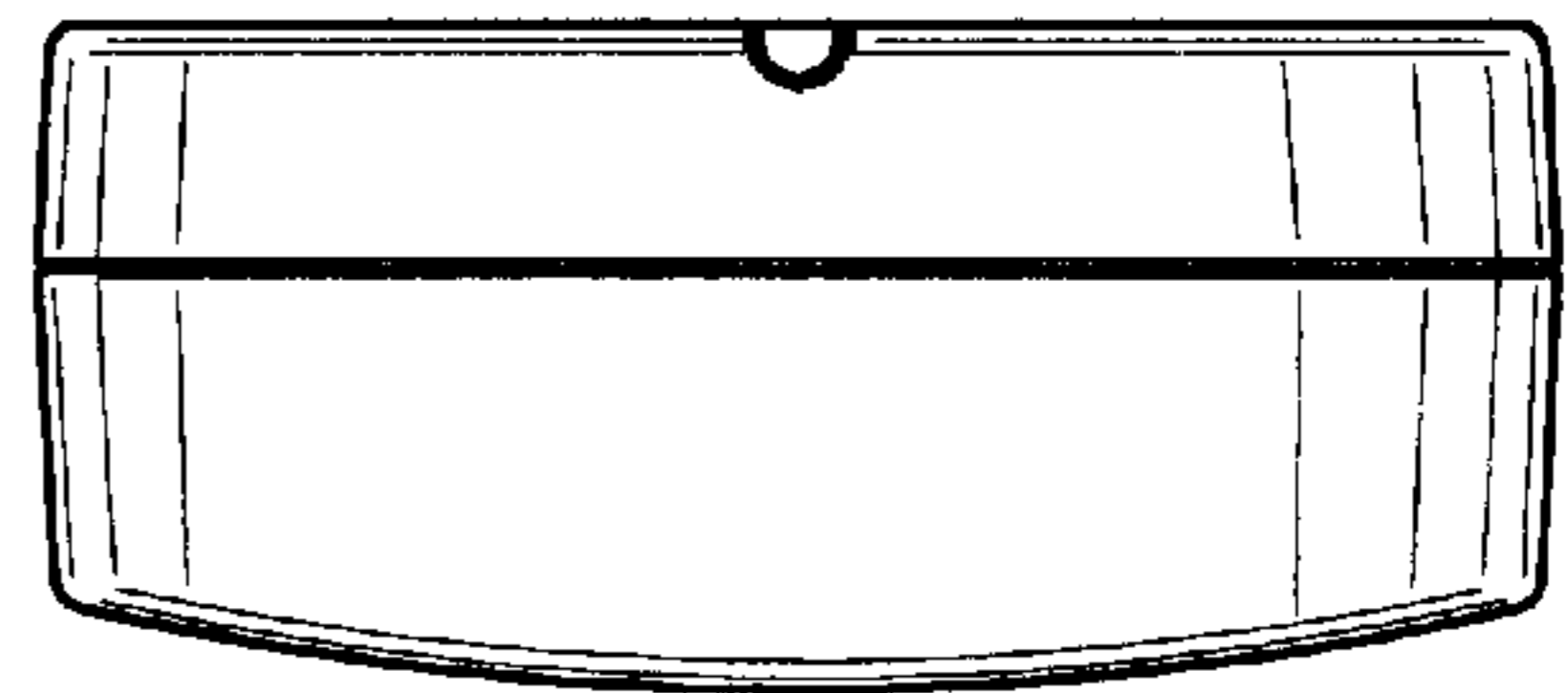
*FIG. 6*



*FIG. 5*



*FIG. 7*



*FIG. 8*