



US00D488791S

(12) **United States Design Patent**  
**Honda et al.**

(10) **Patent No.:** **US D488,791 S**

(45) **Date of Patent:** **\*\* Apr. 20, 2004**

(54) **MOBILE PHONE**

(75) Inventors: **Sugiko Honda**, Kawasaki (JP); **Norio Okada**, Yokohama (JP); **Takahiro Iijima**, Tokyo (JP)

(73) Assignee: **Matsushita Electric Industrial Co., Ltd.**, Osaka (JP)

(\*\*) Term: **14 Years**

(21) Appl. No.: **29/183,880**

(22) Filed: **Jun. 17, 2003**

(51) **LOC (7) Cl.** ..... **14-03**

(52) **U.S. Cl.** ..... **D14/138**

(58) **Field of Search** ..... D14/137, 138, D14/218, 147-148, 247-248, 144, 341-347; 379/433.01-433.13, 419, 434, 428.01-428.04, 420.01-420.04, 440; 455/550.1-90.3; D21/517

(56) **References Cited**

**U.S. PATENT DOCUMENTS**

D244,849 S	6/1977	Todeschini
D254,195 S	2/1980	Genaro et al.
D254,435 S	3/1980	Ferron
D275,950 S	10/1984	Marshall
D276,520 S	11/1984	Breslow et al.
4,481,382 A	11/1984	Villa-Real
D281,686 S	12/1985	Rivette et al.
D282,544 S	2/1986	Wu
D282,738 S	2/1986	Nichols
D284,468 S	7/1986	Matras
4,661,659 A	4/1987	Nishimura
D291,991 S	9/1987	Lee
D292,581 S	11/1987	Yoshiharu
4,736,411 A	4/1988	Chan
D298,036 S	10/1988	Watanabe
D298,621 S	11/1988	Willis
D298,940 S	12/1988	Lau
D300,742 S	4/1989	Soren et al.
D300,827 S	4/1989	Soren et al.
4,845,772 A	7/1989	Metroka et al.
D302,689 S	8/1989	Murakami et al.
D304,189 S	10/1989	Nagele et al.

(List continued on next page.)

**FOREIGN PATENT DOCUMENTS**

EP	120418	10/1984
JP	D608405	6/1983
JP	D612420	11/1983

(List continued on next page.)

**OTHER PUBLICATIONS**

“J-Phone”, Sanyo J-SA03; Nokia J-NM01, Jul. 25, 2001.\*  
*Telephony*, Jul. 16, 1979.

*Radio Shack ET-416 Folding Pocket-Size with Page Button*, Aug. 28, 1987.

*Telecommunications 1989 Panasonic, Pocket Cordless Phone, KX-T3000 Easa-Phone*, 1989.

*Motorola, Inc. It's The Way We Put Them Together That Sets Us Apart*, 1990.

*Panasonic Folding Cordless Phone*, Prior to Mar. 12, 2002.

Home page “Digital Mova” NTTDoCoMo, Sep. 26, 2000, 209iS, 209i, and 502i telephones.

*Primary Examiner*—Jeffrey Asch

(74) *Attorney, Agent, or Firm*—Brinks Hofer Gilson & Lione

(57) **CLAIM**

The ornamental design for a mobile phone, as shown and described.

**DESCRIPTION**

FIG. 1 is a perspective view of a mobile phone of the present invention in an open position;

FIG. 2 is a front view thereof;

FIG. 3 is a first side view thereof;

FIG. 4 is a second side view thereof;

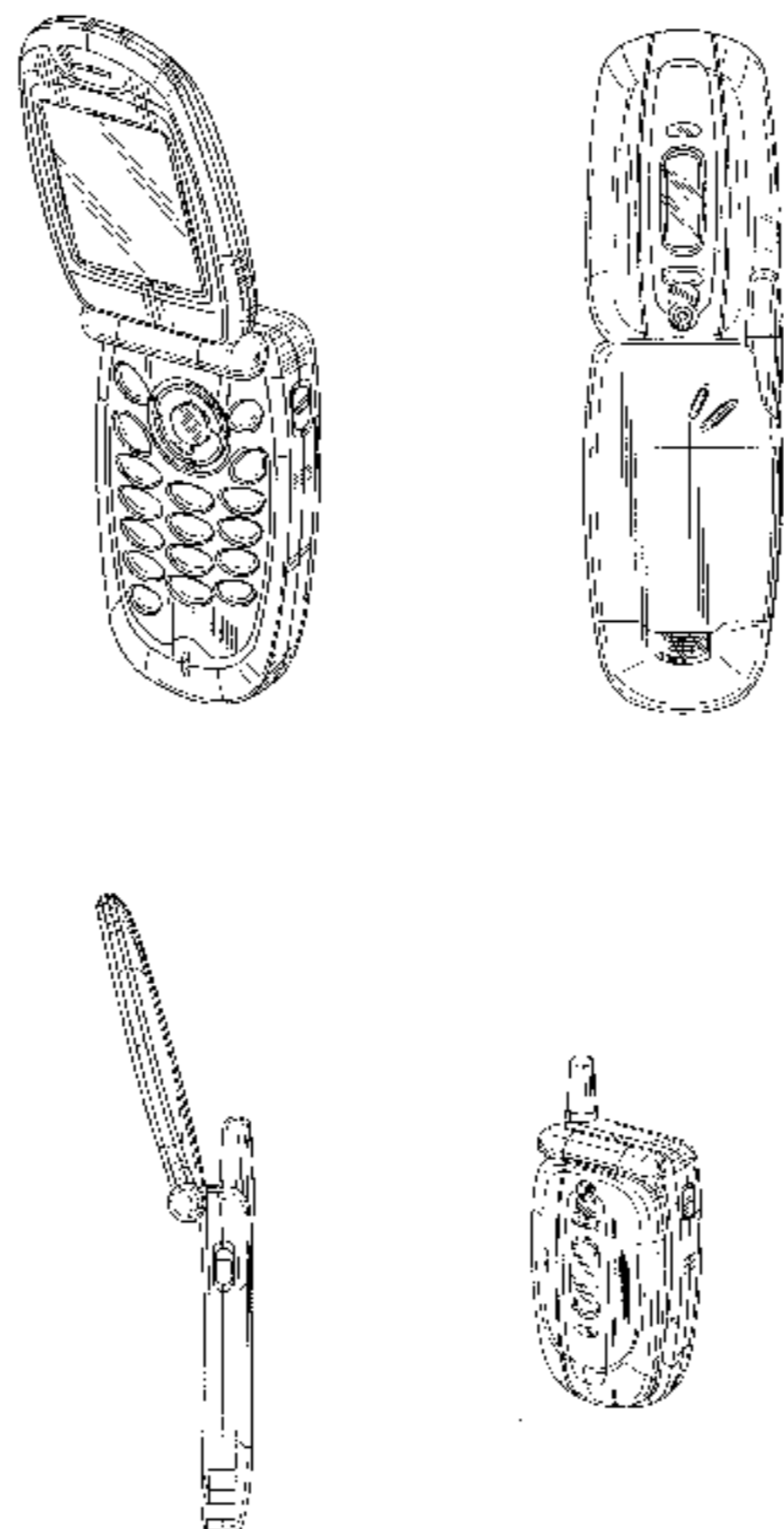
FIG. 5 is a rear view thereof;

FIG. 6 is a top view thereof;

FIG. 7 is a bottom view thereof; and,

FIG. 8 is a top perspective view of a mobile phone of the present invention in a closed position.

**1 Claim, 4 Drawing Sheets**



# US D488,791 S

Page 2

## U.S. PATENT DOCUMENTS

D305,427 S 1/1990 Soren et al.  
D306,294 S 2/1990 Watanabe  
D306,298 S 2/1990 Sawada et al.  
D315,731 S 3/1991 Watanabe  
D317,606 S 6/1991 Irie et al.  
D318,050 S 7/1991 Elbaz et al.  
D319,053 S 8/1991 Atkins et al.  
D319,233 S 8/1991 Konno et al.  
D319,441 S 8/1991 Konno et al.  
D321,184 S 10/1991 Colida  
D321,347 S 11/1991 Colida  
D321,349 S 11/1991 Colida  
D415,152 S 10/1999 Koo  
D430,859 S \* 9/2000 Lindeman et al. .... D14/138  
D435,837 S 1/2001 Suzuki et al.  
D438,184 S \* 2/2001 Suzuki et al. .... D14/138  
D440,955 S 4/2001 Tanaka et al.  
D443,614 S 6/2001 Do et al.  
D443,866 S \* 6/2001 Arbisi et al. .... D14/138  
D445,410 S 7/2001 Yoo et al.  
D445,411 S 7/2001 Kim et al.  
D445,771 S \* 7/2001 Kim ..... D14/138  
D446,201 S 8/2001 Kim  
D447,128 S \* 8/2001 Lee et al. .... D14/138  
D447,741 S 9/2001 Lee et al.  
D448,745 S \* 10/2001 Kim ..... D14/138  
D449,284 S 10/2001 Kim et al.  
D454,550 S \* 3/2002 Hayasaka et al. .... D14/138  
D455,414 S 4/2002 Lee et al.  
D456,377 S \* 4/2002 Miyazawa et al. .... D14/138  
D456,378 S \* 4/2002 Fujimoto ..... D14/138  
D456,792 S 5/2002 Lee et al.  
D458,240 S 6/2002 Suzuki et al.  
D458,594 S 6/2002 Jang  
D458,913 S \* 6/2002 Suzuki et al. .... D14/138  
D459,326 S 6/2002 Nagai et al.  
D459,329 S 6/2002 Suzuki et al.  
D459,330 S 6/2002 Suzuki et al.  
D463,386 S \* 9/2002 Chun et al. .... D14/138  
D464,032 S 10/2002 Hayasaka et al.  
D464,633 S \* 10/2002 Nagai et al. .... D14/138  
D464,634 S 10/2002 Tamaru et al.  
D465,466 S 11/2002 Hyun  
D465,467 S 11/2002 Nagai et al.  
D468,282 S 1/2003 Chen  
D468,283 S 1/2003 Hong et al.  
D468,713 S 1/2003 Lee et al.  
D469,070 S 1/2003 Lee  
D477,294 S \* 2/2003 Ikeda et al. .... D14/138  
D474,168 S \* 5/2003 Wang et al. .... D14/138  
D475,689 S \* 6/2003 Shimazu et al. .... D14/138

D475,986 S \* 6/2003 Ng et al. .... D14/138  
D476,635 S \* 7/2003 Nagai et al. .... D14/138  
D476,968 S \* 7/2003 Yokoyama ..... D14/138  
D477,293 S \* 7/2003 Hwang ..... D14/138  
D477,295 S \* 7/2003 Chung ..... D14/138  
D477,296 S \* 7/2003 Minamide ..... D14/138  
D477,581 S \* 7/2003 Iijima et al. .... D14/138  
2001/0011030 A1 8/2001 Kuroda  
2002/0006809 A1 1/2002 Kubo et al.  
2002/0013159 A1 1/2002 Takahashi et al.  
2002/0098810 A1 7/2002 Murakami  
2002/0146989 A1 10/2002 Moriki  
2002/0187818 A1 12/2002 Kang  
2003/0030624 A1 \* 2/2003 Aoyama ..... 345/168  
2003/0040346 A1 2/2003 Fukuda et al.  
2003/0083023 A1 5/2003 Chang et al.  
2003/0083107 A1 \* 5/2003 Morishima ..... 455/56  
2003/0087610 A1 \* 5/2003 Ono ..... 455/90.1  
2003/0114198 A1 \* 6/2003 Han ..... 455/56

## FOREIGN PATENT DOCUMENTS

JP D625013 2/1984  
JP 59-135960 8/1984  
JP 60-21636 2/1985  
JP D670296 10/1985  
JP D691680 7/1986  
JP D691943 11/1986  
JP D708923 4/1987  
JP D709305 4/1987  
JP D730608 12/1987  
JP D730610 12/1987  
JP 63-129755 6/1988  
JP 63-164743 7/1988  
JP D754981 11/1988  
JP D755223 11/1988  
JP 63-288549 11/1988  
JP D761555 2/1989  
JP 1-106658 4/1989  
JP 1-212052 8/1989  
JP 1-32437 10/1989  
JP 1-319348 12/1989  
JP 5-80188 11/1993  
JP 7-20945 5/1995  
JP D1120261 9/2001  
JP 1153347 S \* 9/2002  
JP D1155155 10/2002  
JP D1158252 11/2002  
JP 1158252 \* 11/2002  
JP 2002-325127 11/2002  
JP D1160272 12/2002

\* cited by examiner

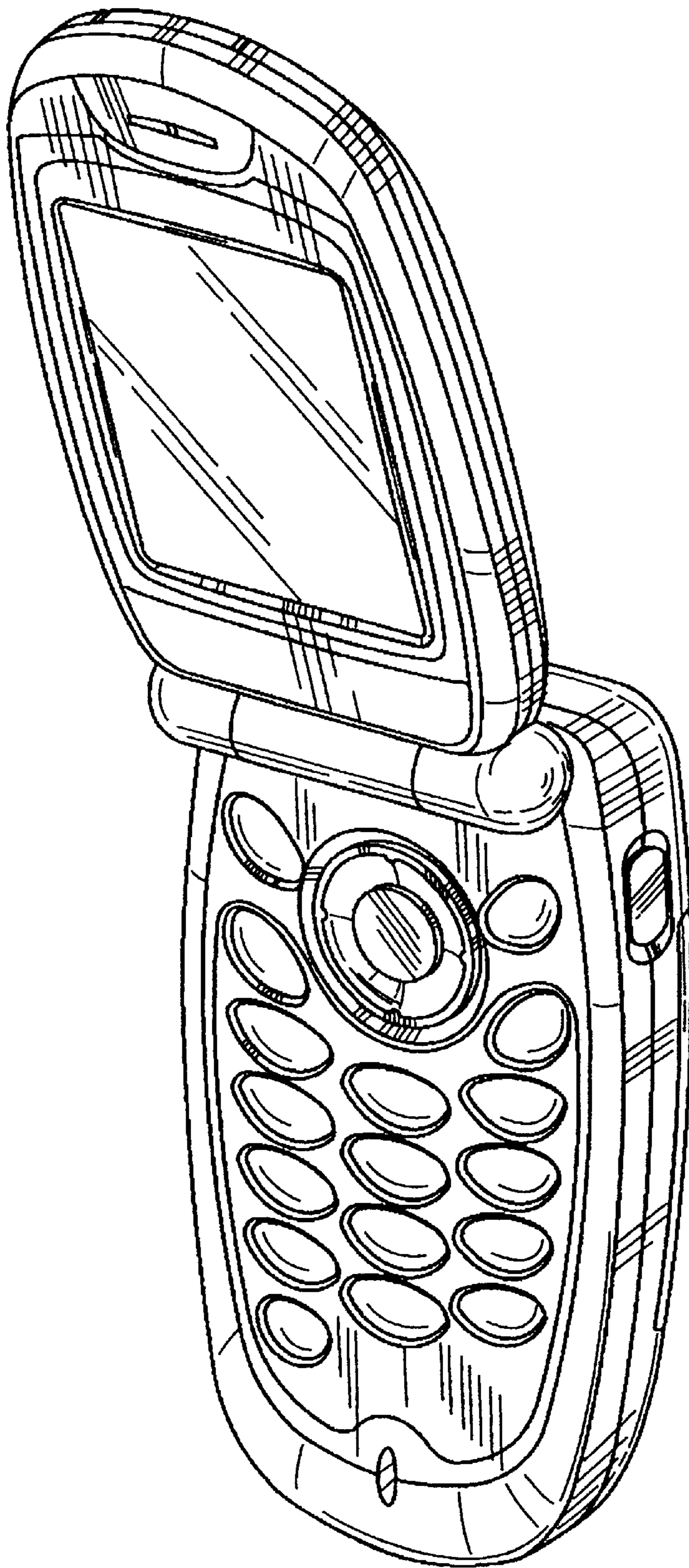


FIG. 1

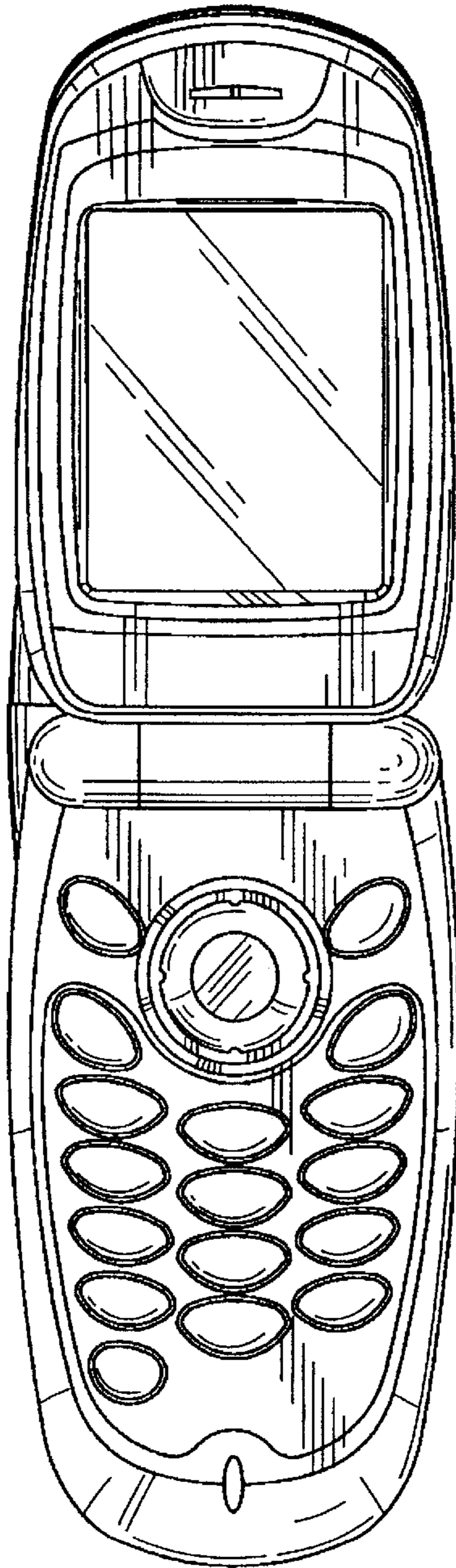


FIG. 2

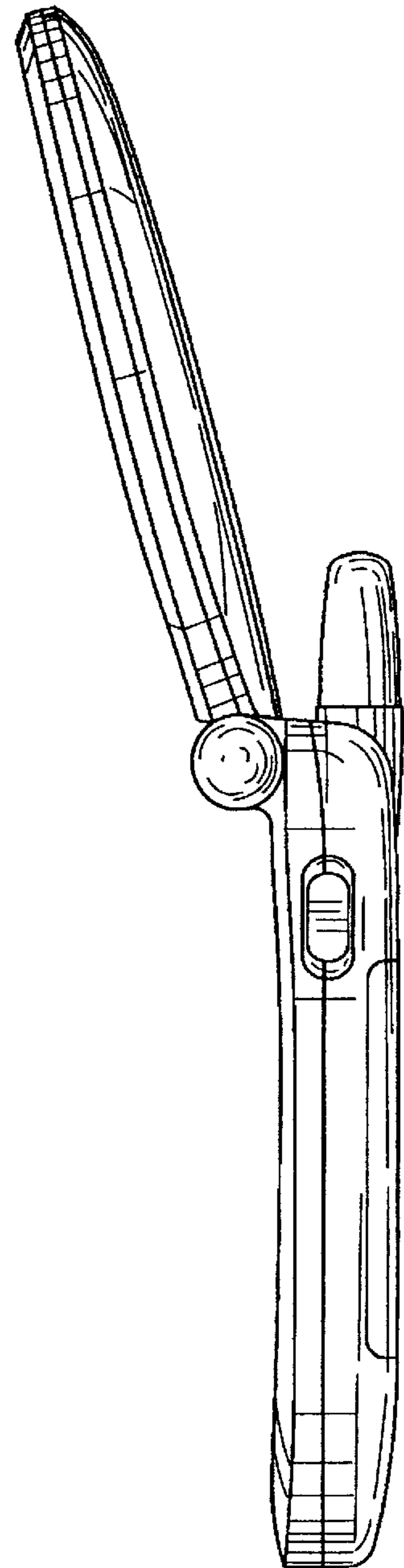


FIG. 3

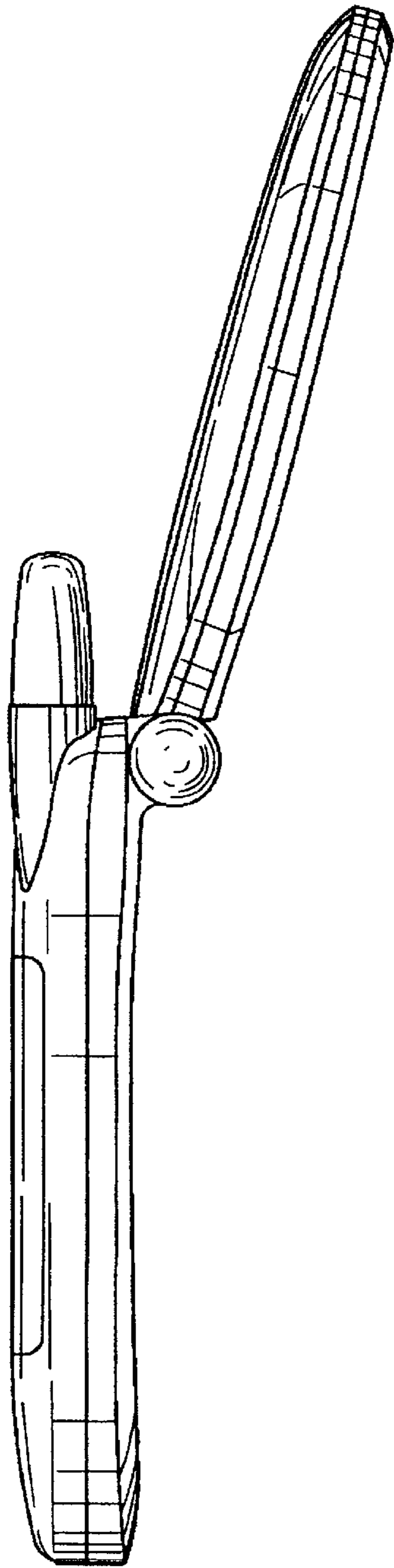


FIG. 4

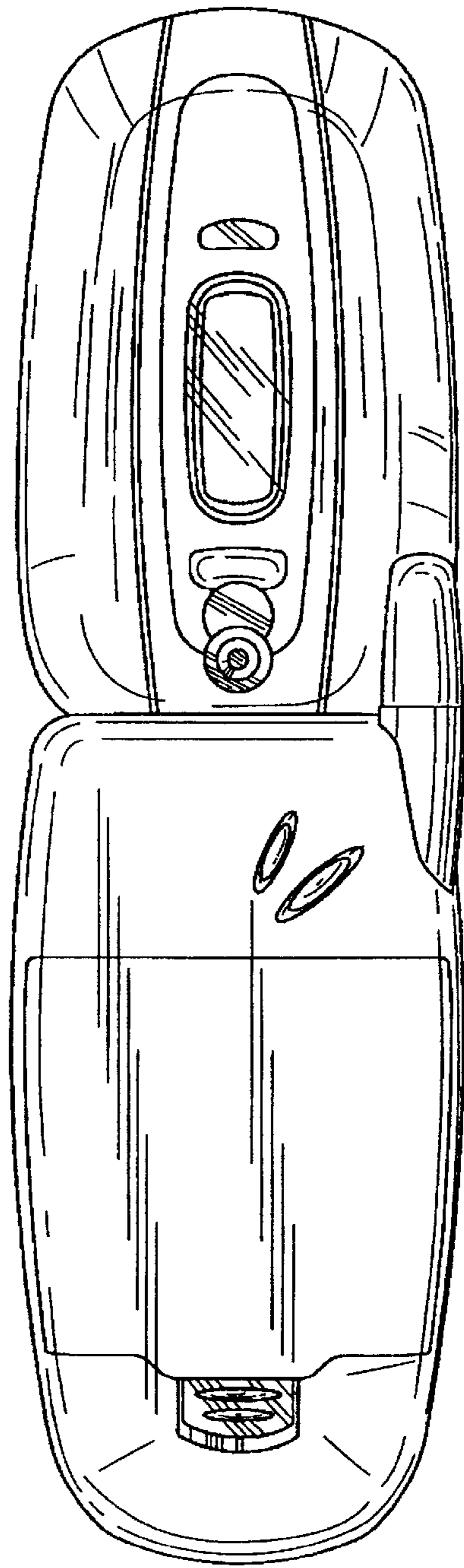


FIG. 5

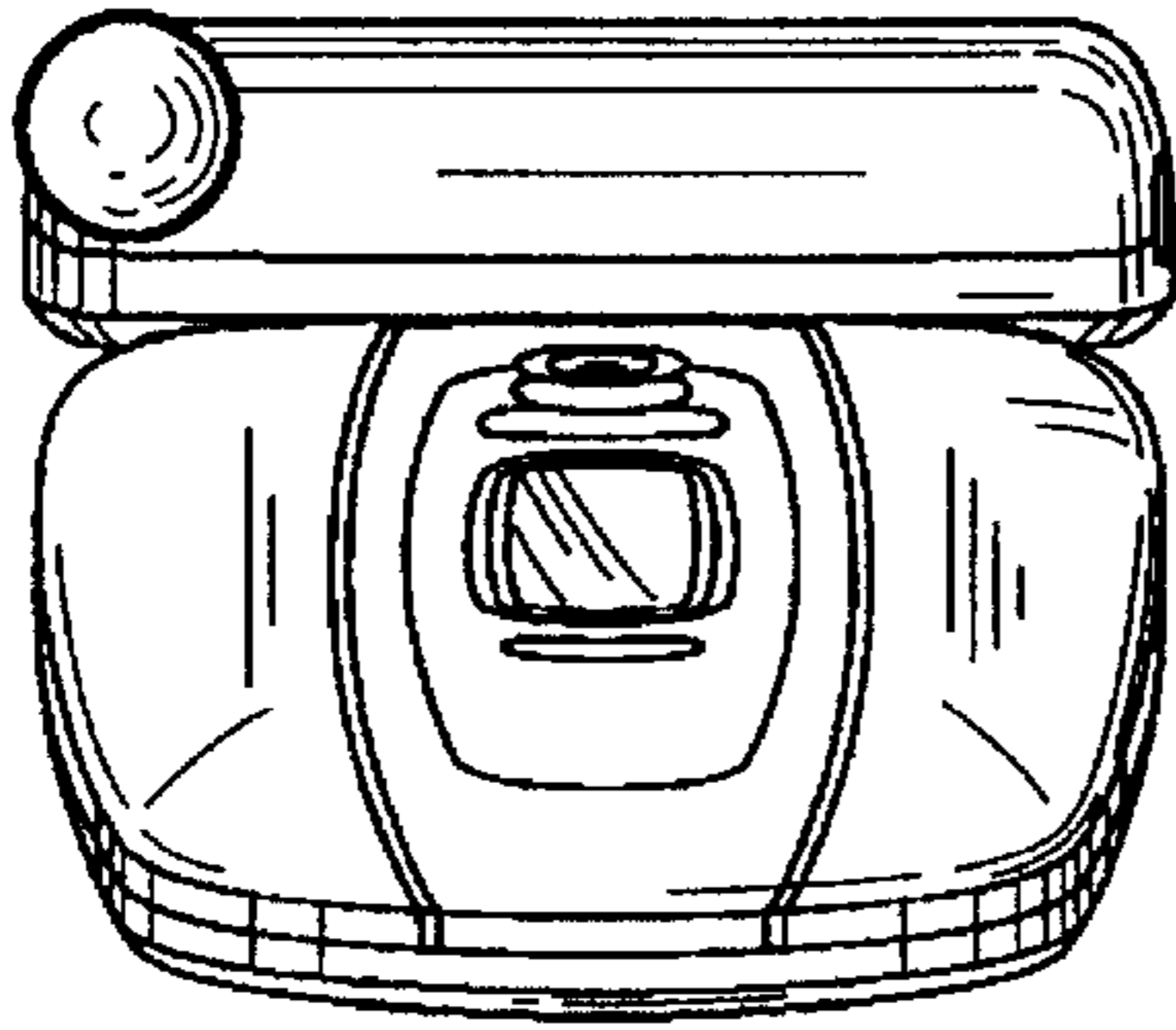


FIG. 6

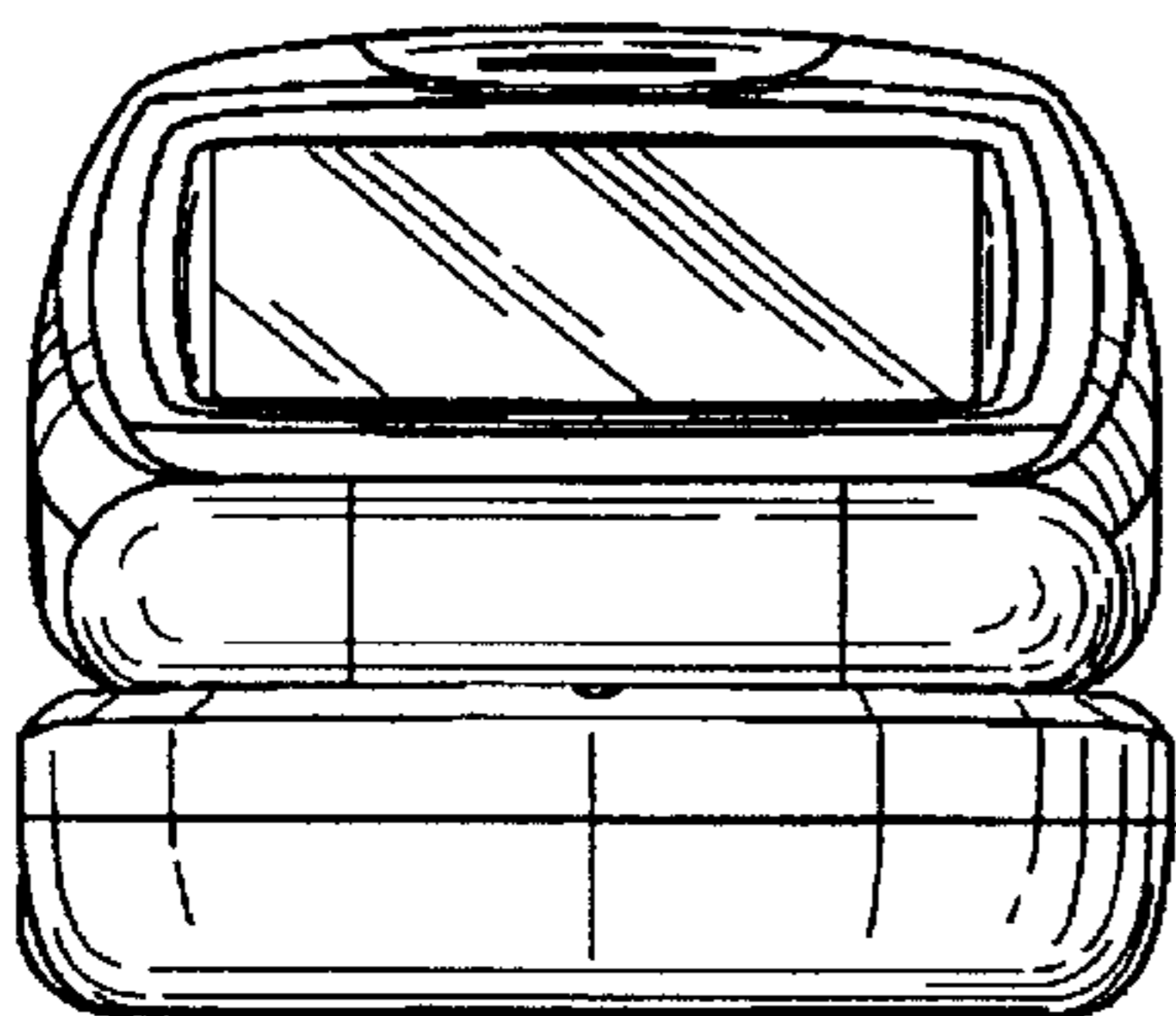


FIG. 7

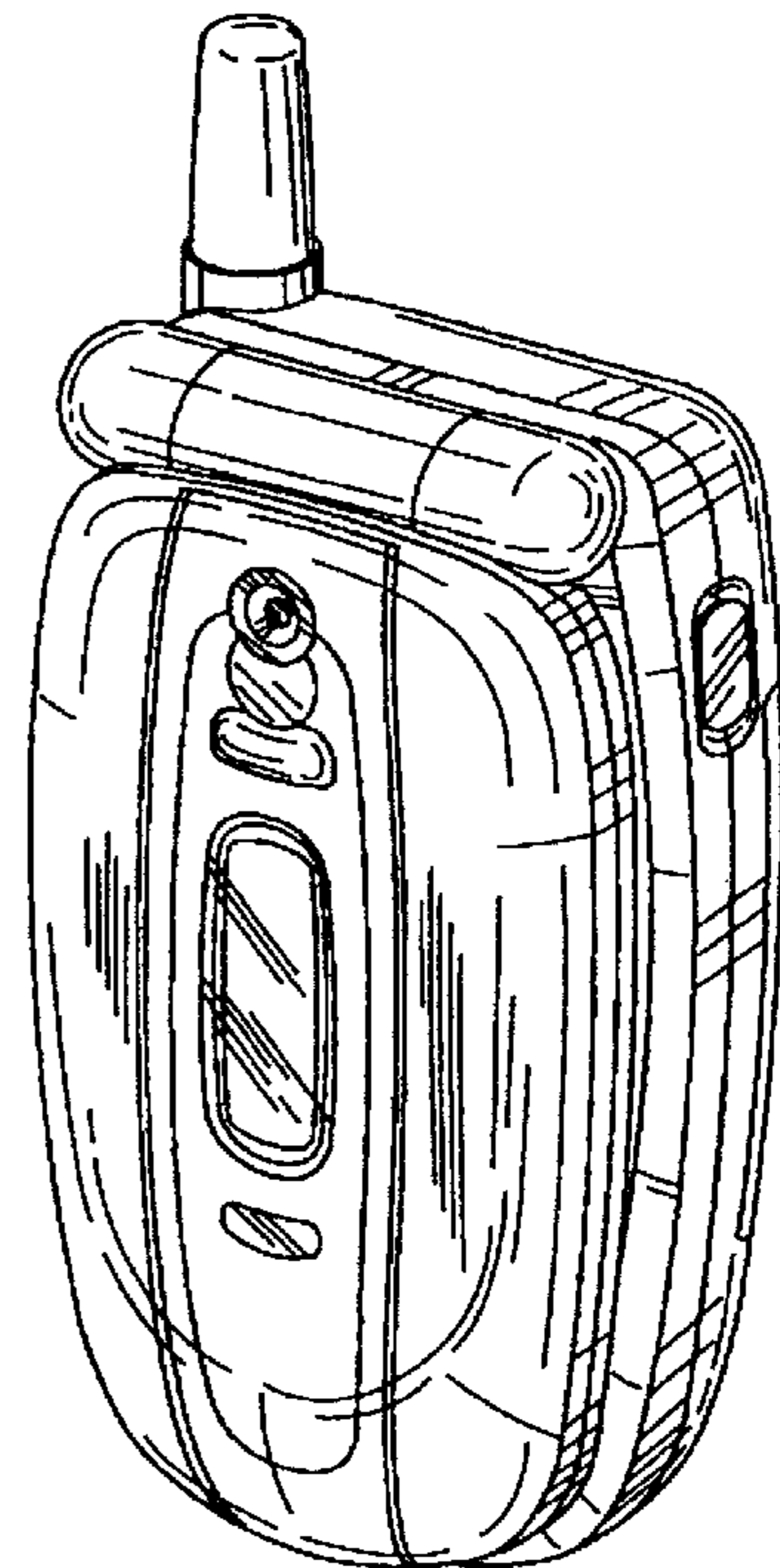


FIG. 8