



US00D488783S

(12) **United States Design Patent**
Goto

(10) **Patent No.:** **US D488,783 S**

(45) **Date of Patent:** **** Apr. 20, 2004**

(54) **CONNECTOR**

D437,290 S 2/2001 Goto
D451,886 S 12/2001 Goto

(75) Inventor: **Teiyu Goto**, Tokyo (JP)

FOREIGN PATENT DOCUMENTS

(73) Assignee: **Sony Computer Entertainment Inc.**,
Tokyo (JP)

JP 959654 A1 7/1996

OTHER PUBLICATIONS

(**) Term: **14 Years**

“MBC, Merchandising & Buying Cable & Connector Products,” 3 sheets (Mar. 2000).

(21) Appl. No.: **29/179,228**

“A Manufacturer with a Difference,” Electronic Components, p. 147 (Apr. 2000).

(22) Filed: **Apr. 8, 2003**

Related U.S. Application Data

Primary Examiner—Joel Sincavage

(62) Division of application No. 29/142,592, filed on May 31, 2001.

(74) *Attorney, Agent, or Firm*—Rader, Fishman & Grauer PLLC

(30) **Foreign Application Priority Data**

(57) **CLAIM**

Dec. 15, 2000 (JP) D2000-035983
Dec. 15, 2000 (JP) D2000-035984
Dec. 15, 2000 (JP) D2000-035985
Dec. 15, 2000 (JP) D2000-035986
Dec. 15, 2000 (JP) D2000-035987

The ornamental design for a connector, as shown and described.

DESCRIPTION

(51) **LOC (7) Cl.** **13-03**

(52) **U.S. Cl.** **D13/147**

(58) **Field of Search** D13/133, 146,
D13/147, 154; 439/358, 626, 682, 677

FIG. 1 is an enlarged top, left perspective view of a left side end part of a connector showing my new design;

FIG. 2 is a top, right perspective view of a right side end part of the connector;

FIG. 3 is a front elevational view of the connector;

FIG. 4 is a rear elevational view thereof;

FIG. 5 is a top plan view thereof, a bottom plan view being a mirror image;

FIG. 6 is a left side elevational view thereof;

FIG. 7 is a right side elevational view thereof;

FIG. 8 is a reduced top plan view thereof;

FIG. 9 is an enlarged right side elevational view thereof;

FIG. 10 is a right side elevational view thereof along the line 10—10 of FIG. 3; and,

FIG. 11 is a left side elevational view thereof along the line 11—11 of FIG. 3.

The cable is shown broken away in FIGS. 1–5 so that the ends could be shown enlarged in a single view.

(56) **References Cited**

U.S. PATENT DOCUMENTS

D196,912 S 11/1963 Kostich
4,126,369 A 11/1978 Rapata et al.
D318,648 S 7/1991 Collins
5,046,967 A 9/1991 Majernik et al.
D342,938 S 1/1994 Cheatham
D346,787 S 5/1994 Cullen
D366,242 S 1/1996 Goto
D373,566 S 9/1996 Rak et al.
D381,629 S 7/1997 Goto
D395,036 S 6/1998 Goto
D401,218 S 11/1998 Brorsoon et al.
D425,860 S 5/2000 Goto

1 Claim, 4 Drawing Sheets

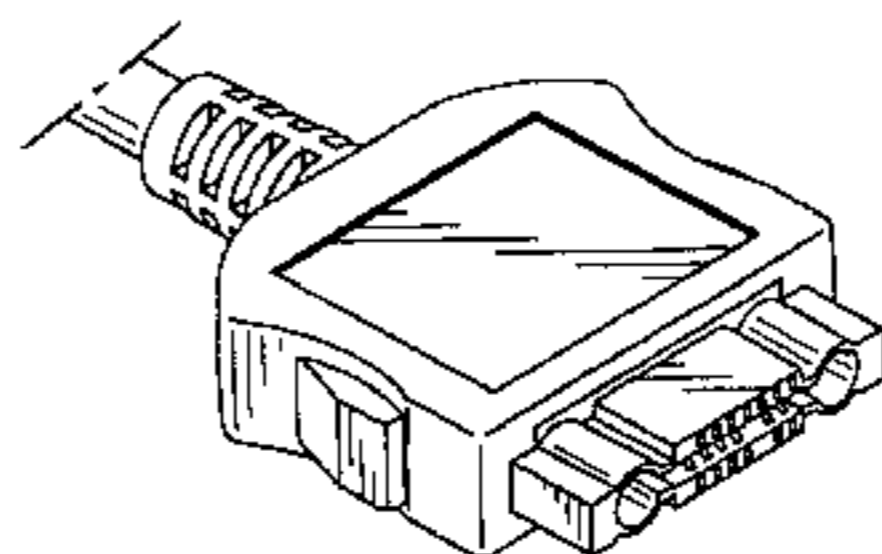
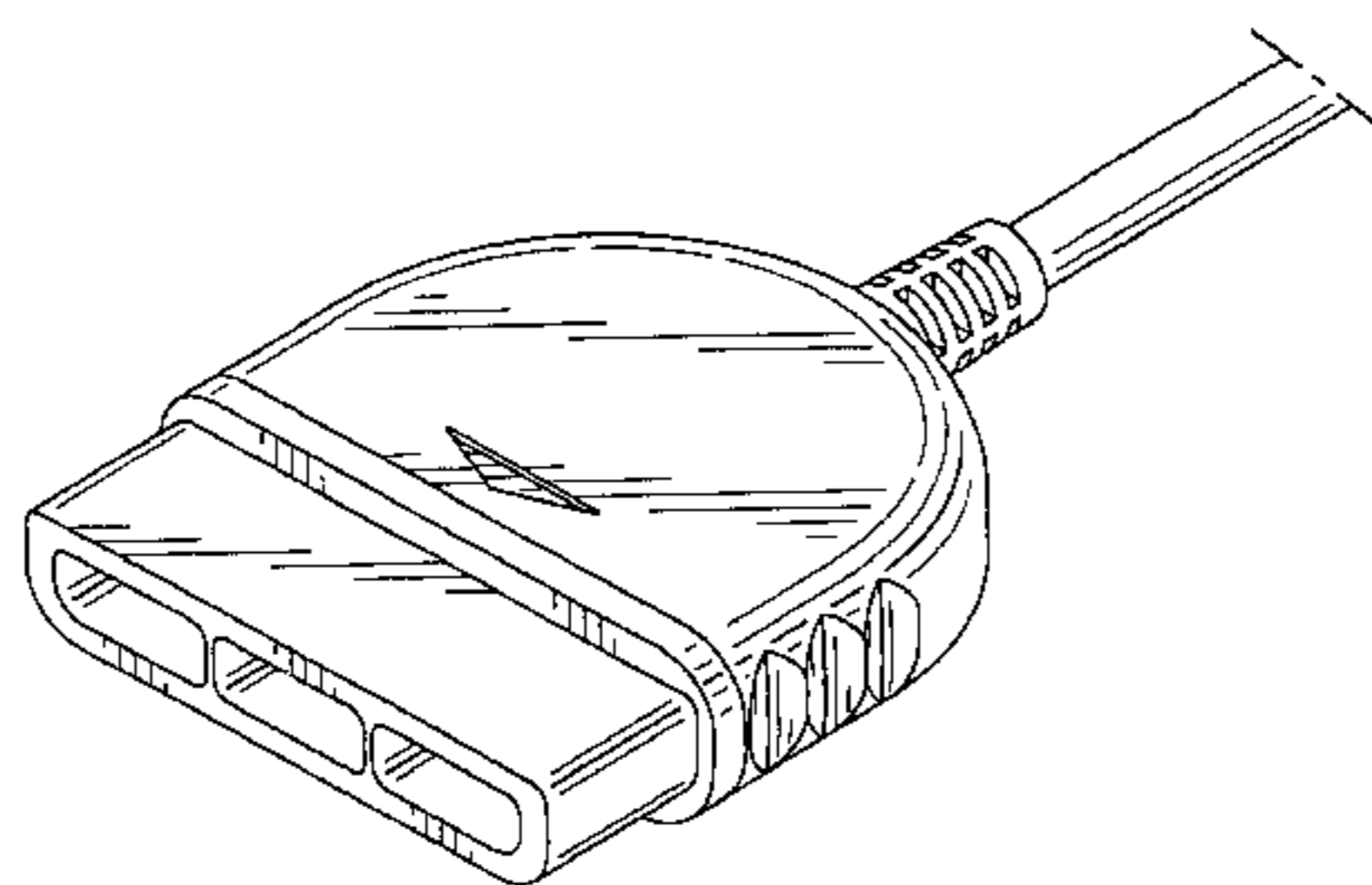


FIG. 1

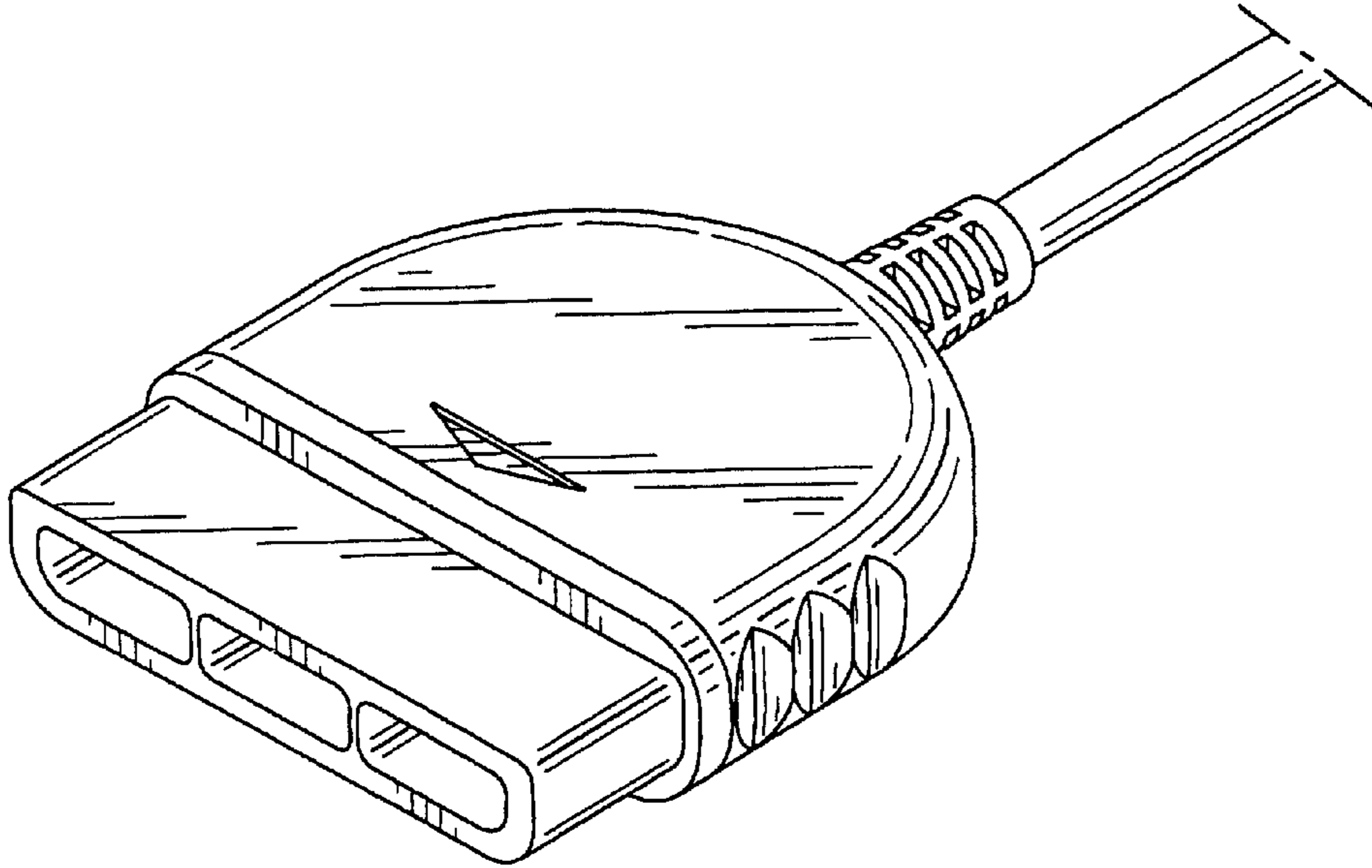


FIG. 2

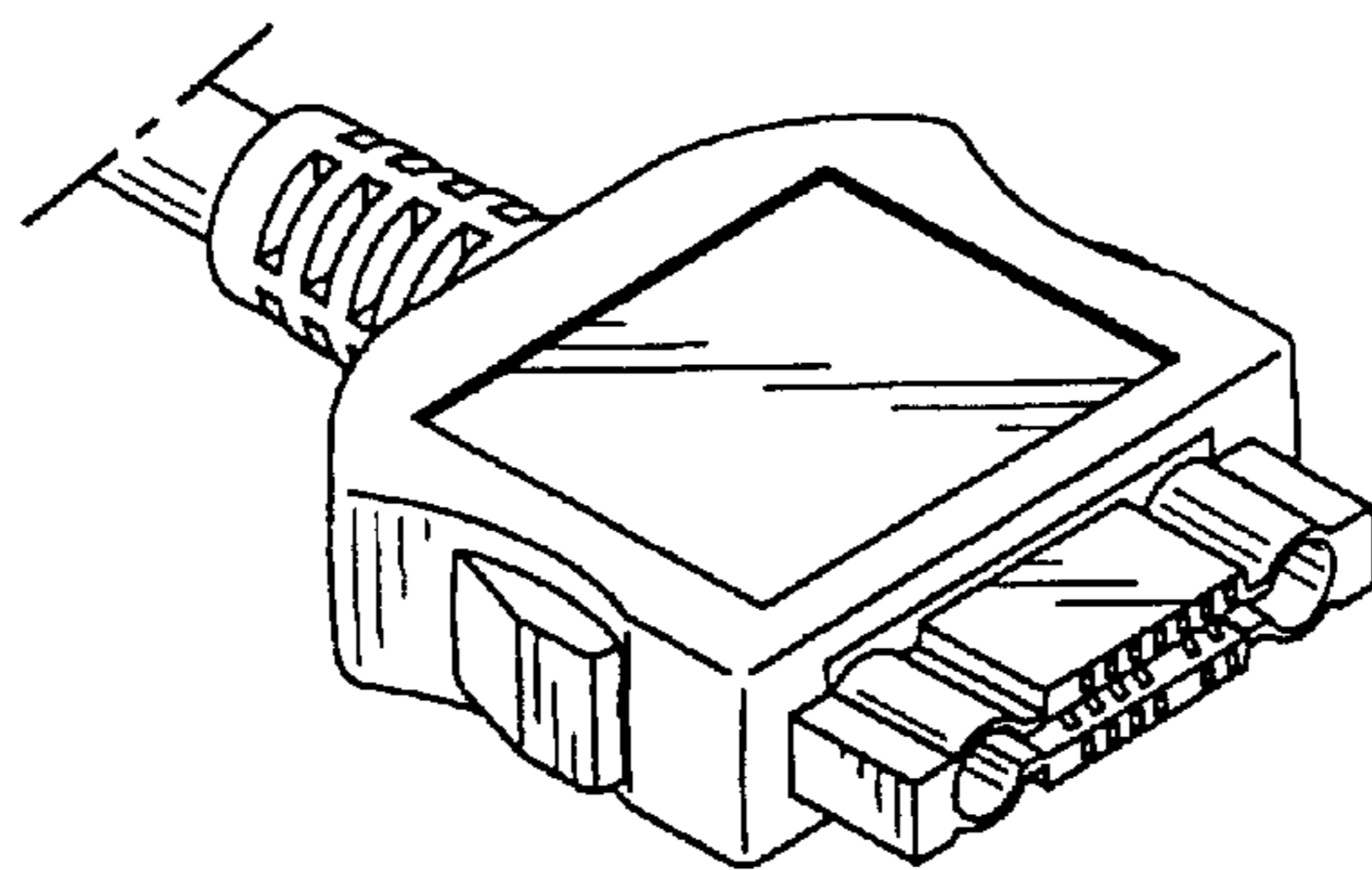


FIG. 3

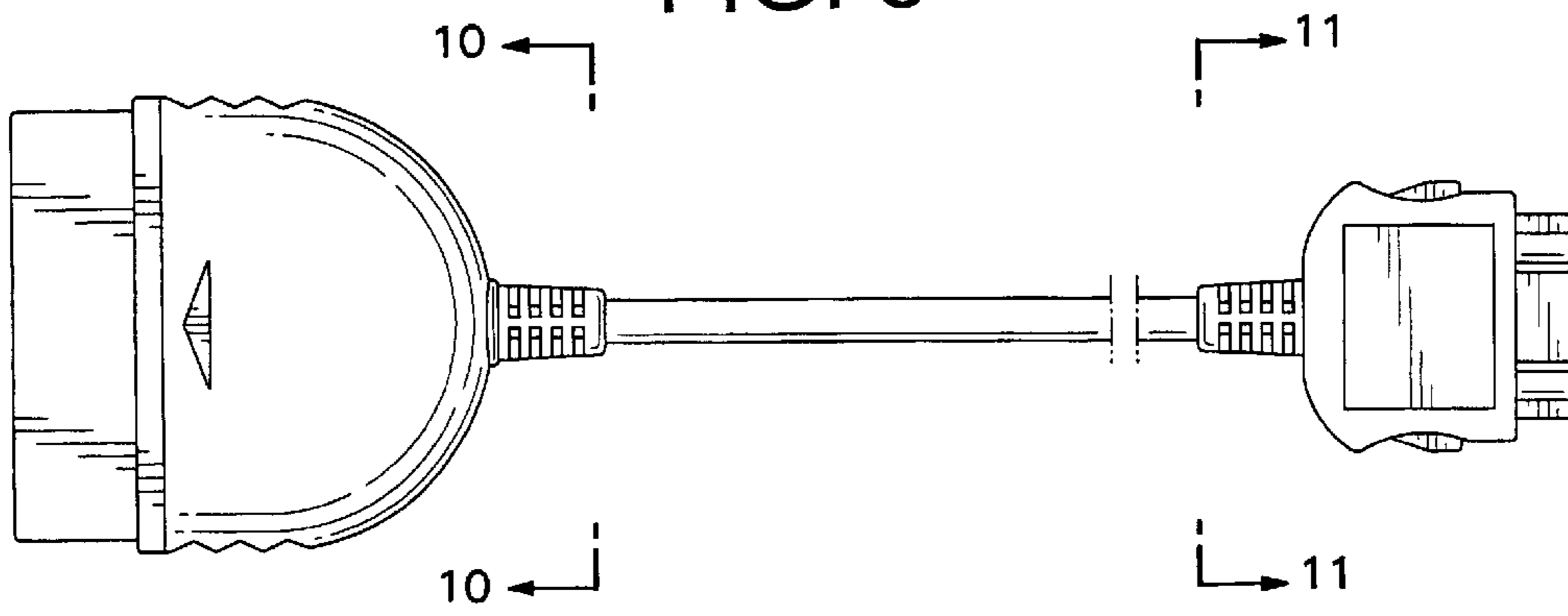


FIG. 4

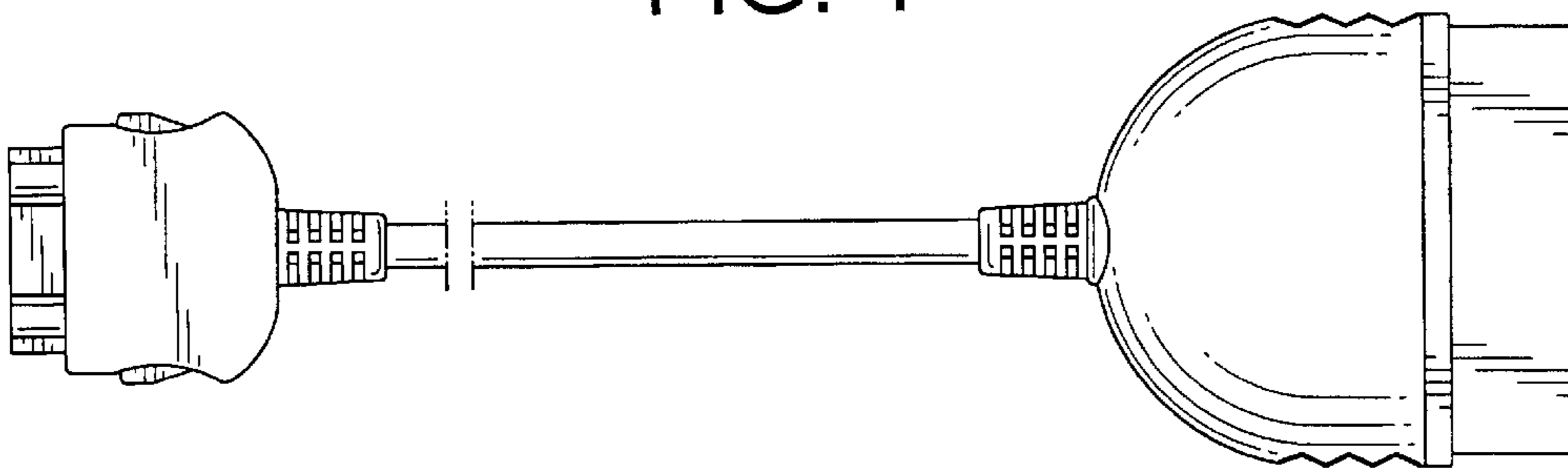


FIG. 5

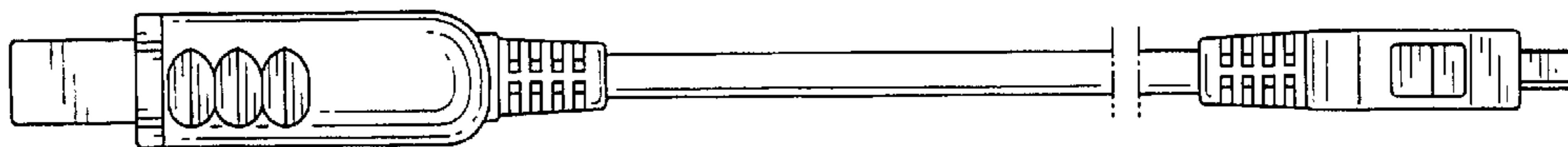


FIG. 6

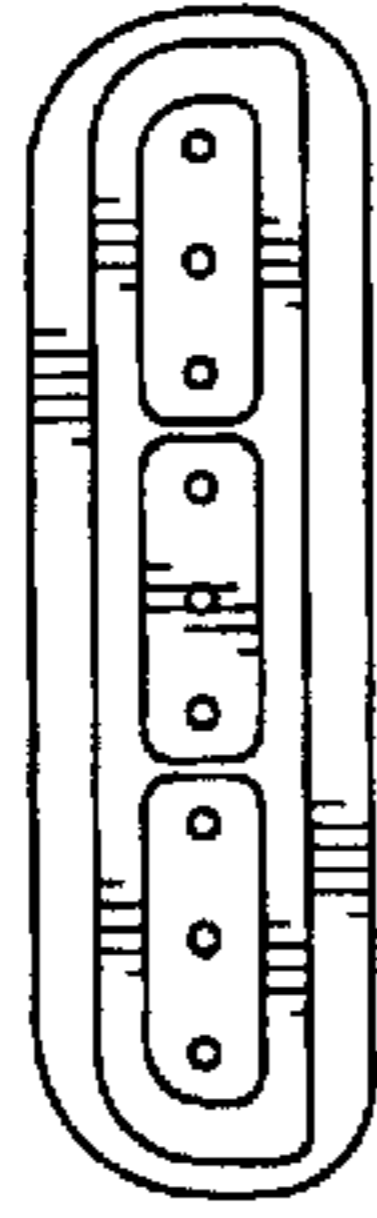


FIG. 7

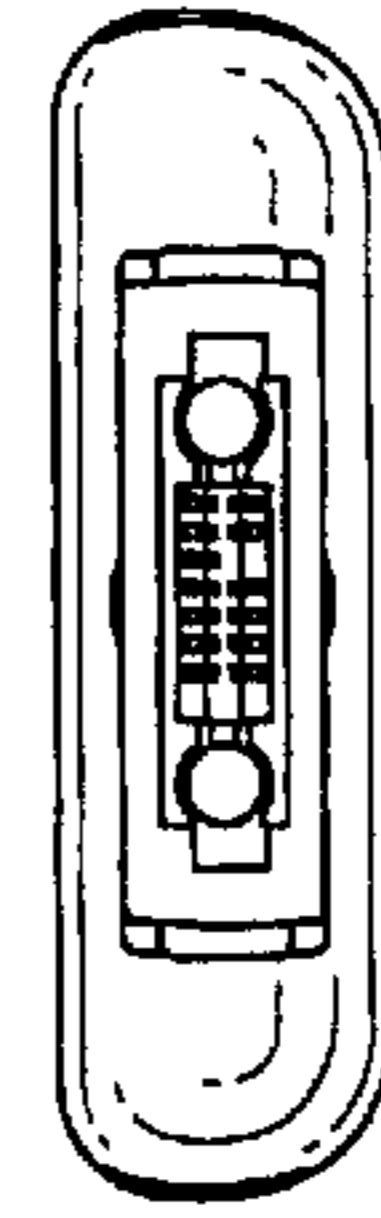


FIG. 8

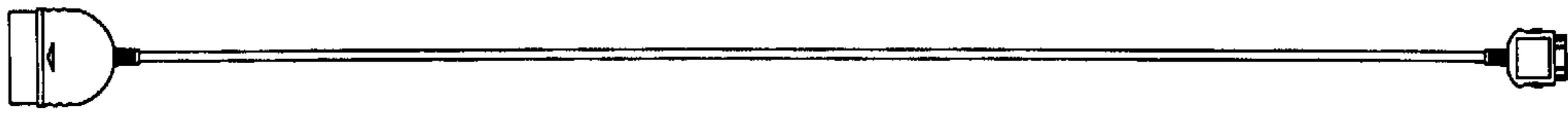


FIG. 9

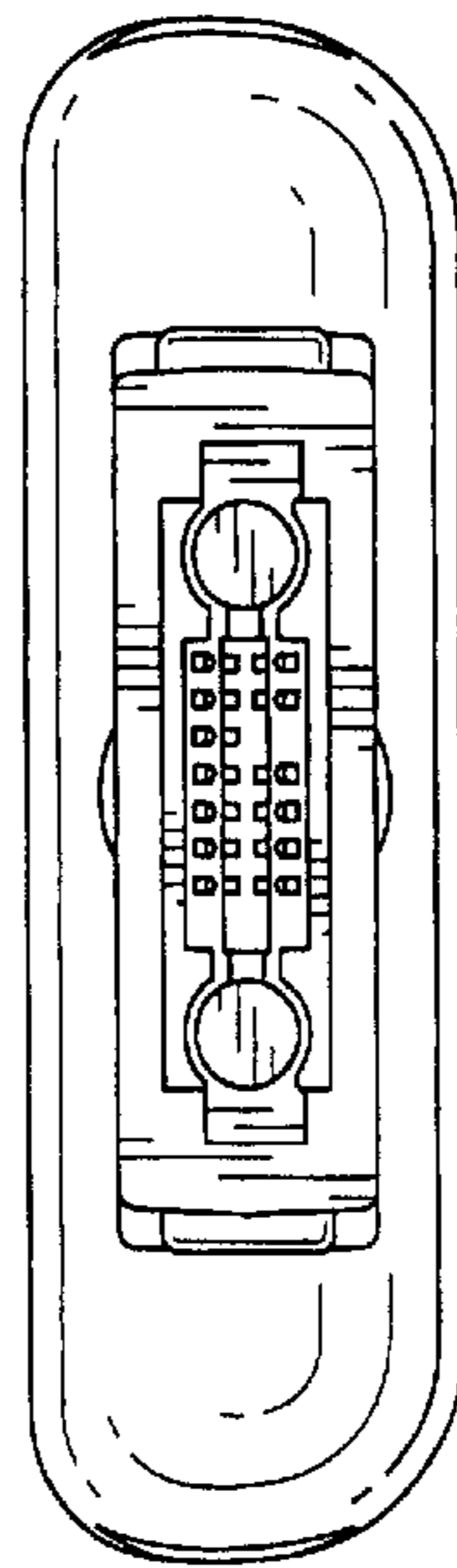


FIG. 10

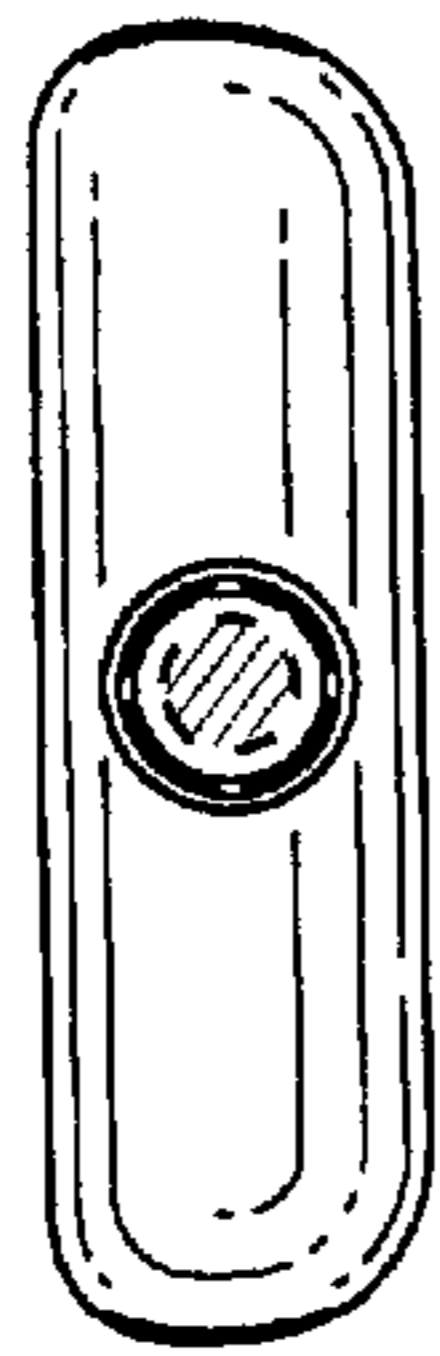


FIG. 11

