



US00D488782S

(12) **United States Design Patent**
Kashiyama et al.

(10) **Patent No.:** **US D488,782 S**
(45) **Date of Patent:** **** Apr. 20, 2004**

- (54) **ELECTRICAL CONNECTOR HOUSING**
- (75) Inventors: **Motohisa Kashiyama, Shizuoka (JP);**
Takanori Yamawaki, Shizuoka (JP)
- (73) Assignee: **Yazaki Corporation, Tokyo (JP)**
- (**) Term: **14 Years**
- (21) Appl. No.: **29/177,469**
- (22) Filed: **Mar. 12, 2003**
- (51) **LOC (7) Cl.** **13-03**
- (52) **U.S. Cl.** **D13/147; D13/133**
- (58) **Field of Search** **D13/133, 146,**
D13/147; 439/350, 357, 489, 587, 595,
680, 752, 325

- 5,711,684 A * 1/1998 Inoue et al. 439/354
- 5,713,761 A * 2/1998 Okayasu 439/595
- 6,123,574 A * 9/2000 Matsuda et al. 439/488

* cited by examiner

Primary Examiner—Philip S. Hyder
(74) *Attorney, Agent, or Firm*—Birch, Stewart, Kolasch & Birch, LLP

(57) **CLAIM**

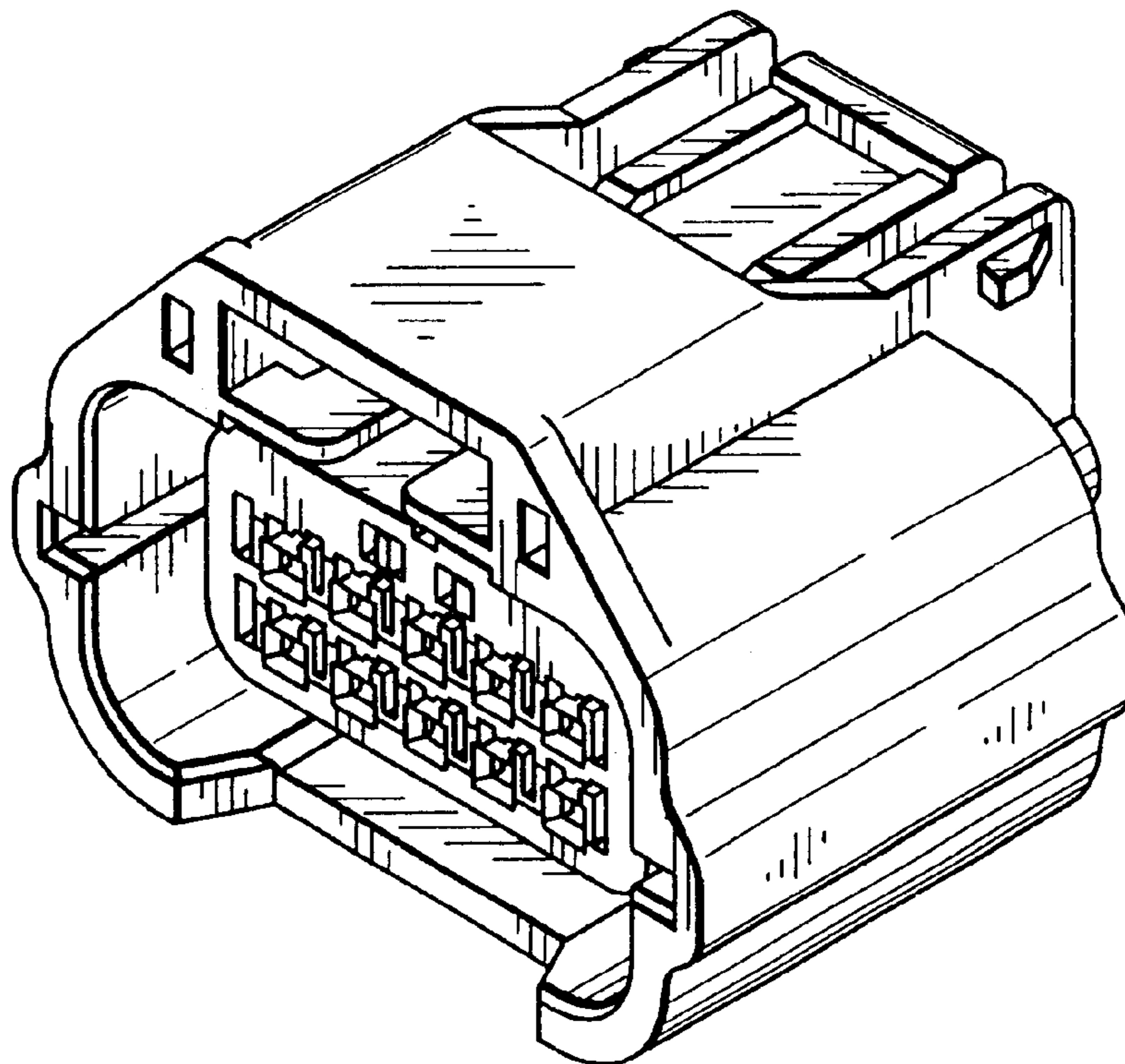
The ornamental design for an electrical connector housing, as shown and described.

DESCRIPTION

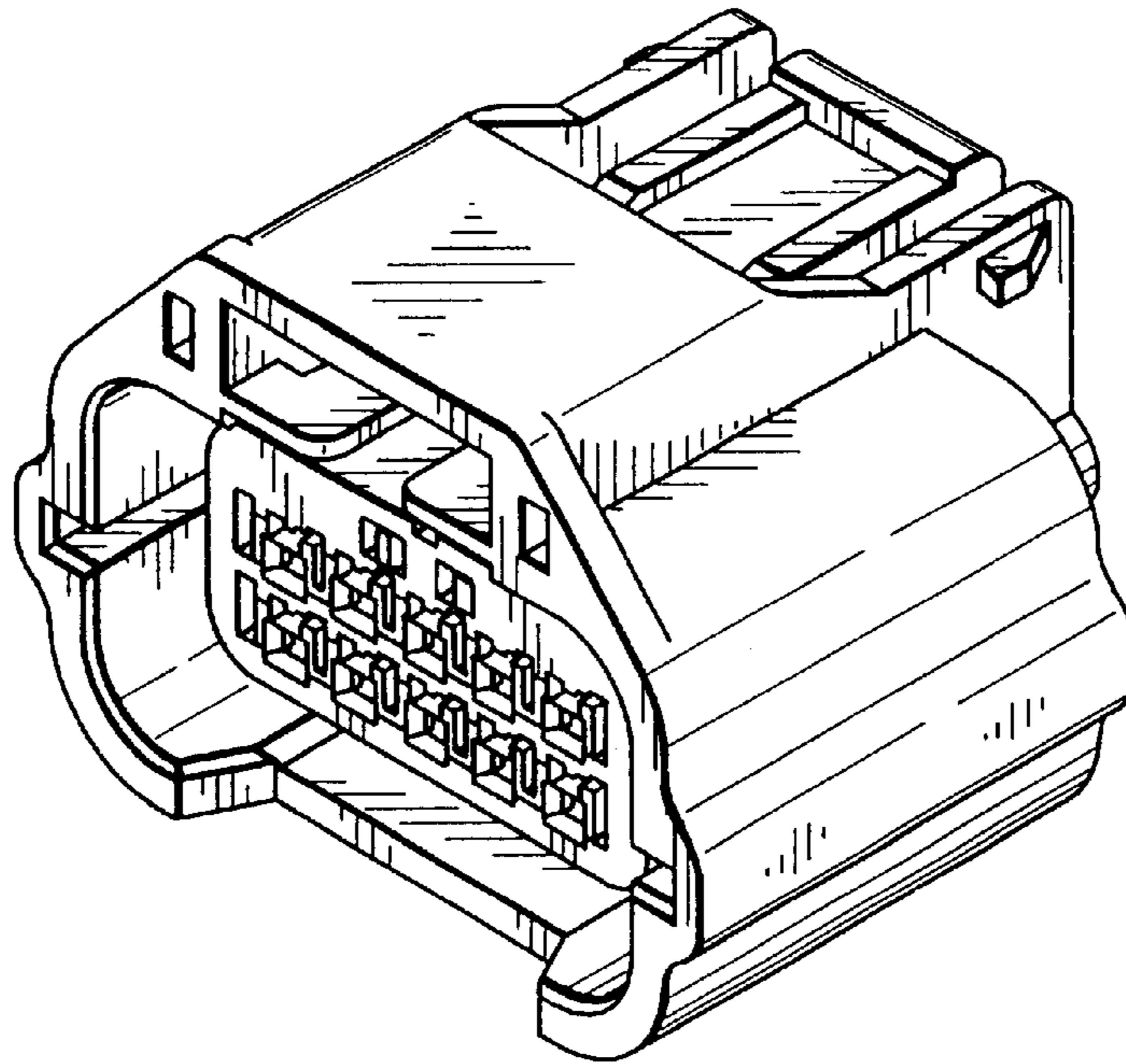
FIG. 1 is a perspective view seen from upper front side of an electrical connector housing, showing our new design; FIG. 2 is a perspective view seen from upper rear side thereof; FIG. 3 is a front view thereof; FIG. 4 is a rear view thereof; FIG. 5 is a top plan view thereof; FIG. 6 is a bottom view thereof; FIG. 7 is a right-side view thereof, the left side view being a mirror image; FIG. 8 is a longitudinal cross sectional view, taken along the central line in the front view thereof; and, FIG. 9 is a front-upper perspective view with terminal stopper taken off thereof.

- (56) **References Cited**
- U.S. PATENT DOCUMENTS**
- D311,375 S * 10/1990 Kuzuno et al. D13/147
- D323,812 S * 2/1992 Sueyoshi et al. D13/146
- D324,032 S * 2/1992 Sueyoshi et al. D13/147
- D324,202 S * 2/1992 Sueyoshi et al. D13/146
- D324,206 S * 2/1992 Sueyoshi et al. D13/147
- 5,108,319 A * 4/1992 Tsuji et al. 439/752
- D327,249 S 6/1992 Ohkura et al. D13/133
- D336,283 S * 6/1993 Ohkura et al. D13/147
- 5,256,083 A * 10/1993 Yamamoto 439/595
- 5,399,045 A * 3/1995 Yoneda et al. 403/321

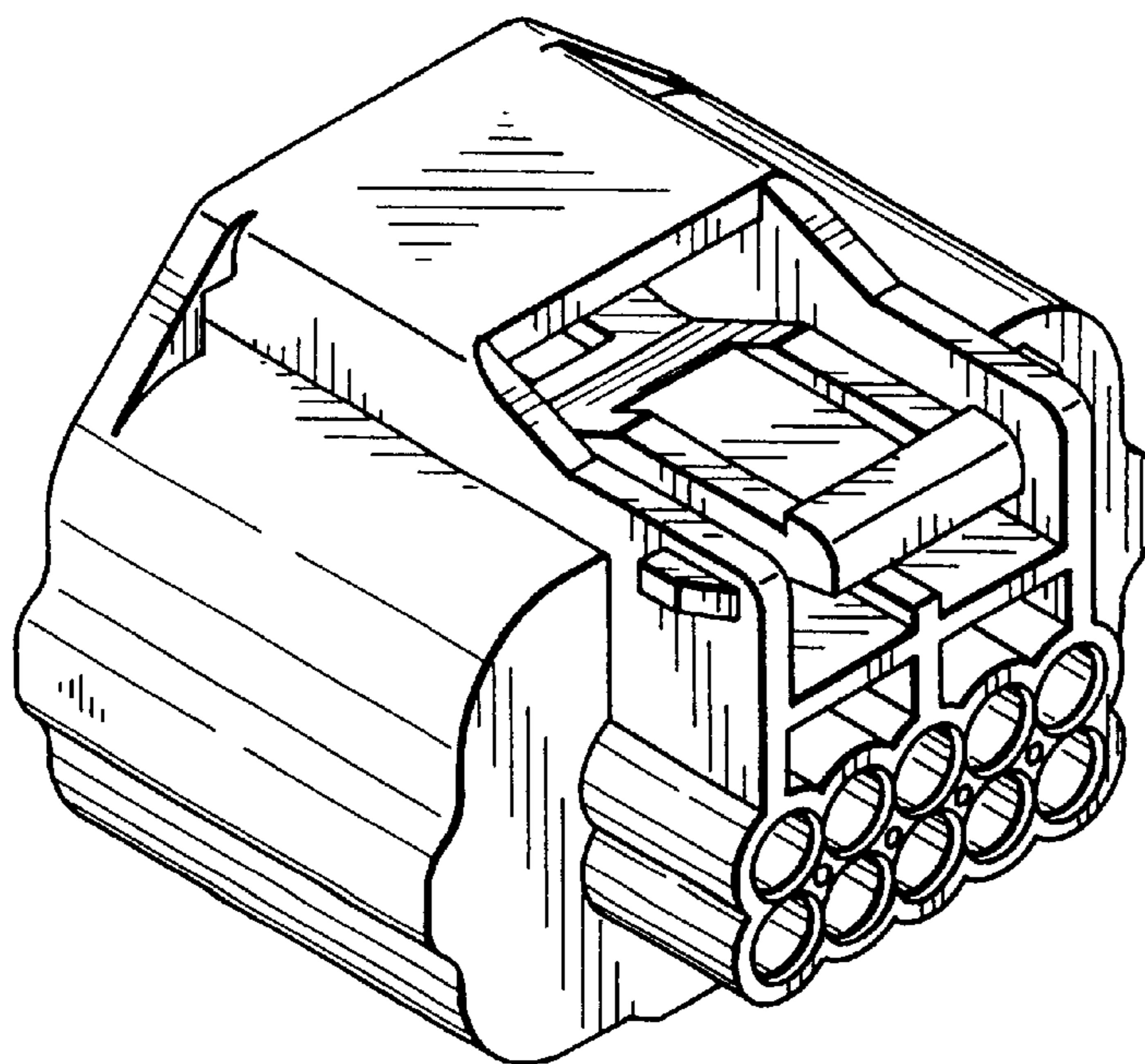
1 Claim, 5 Drawing Sheets



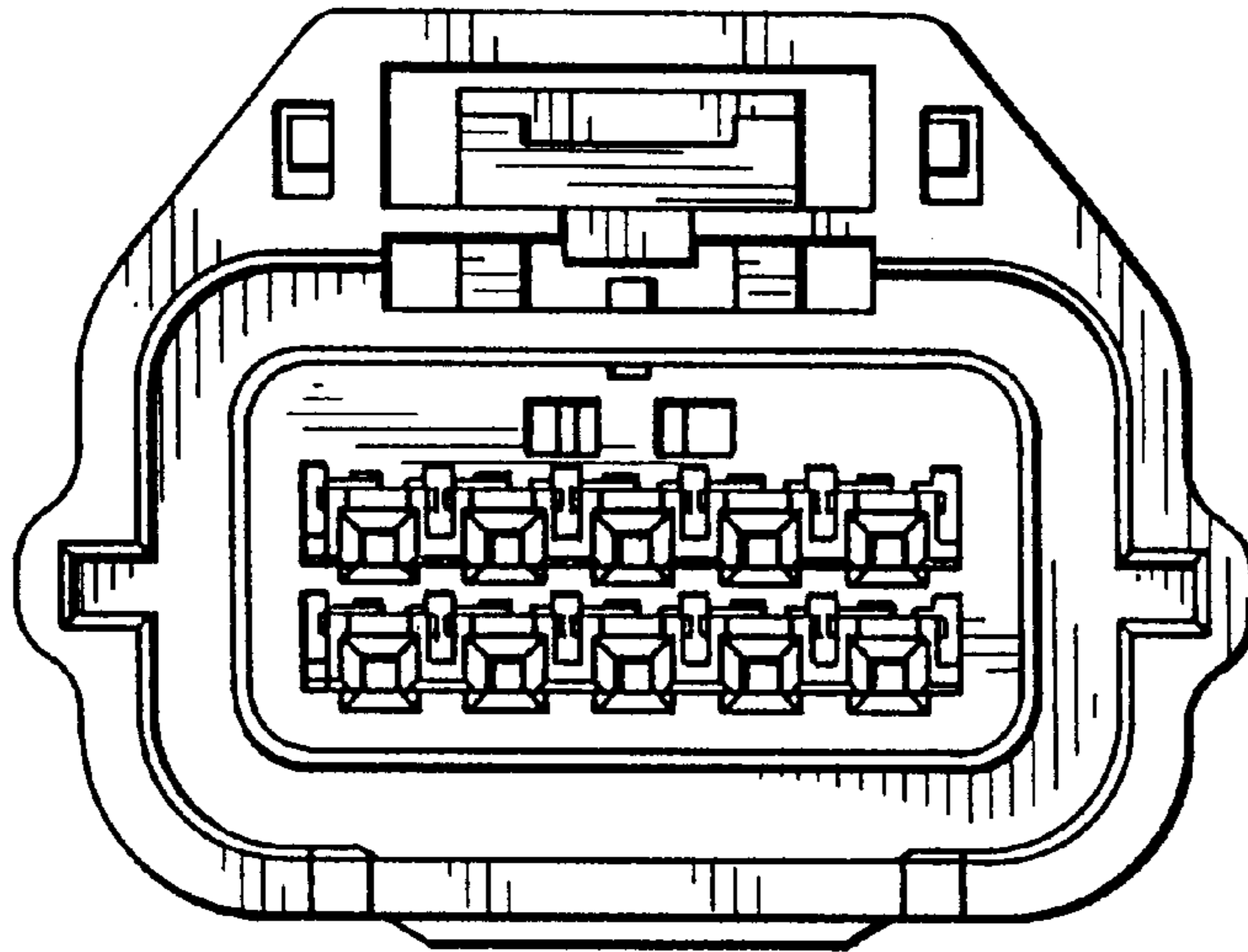
F I G . 1



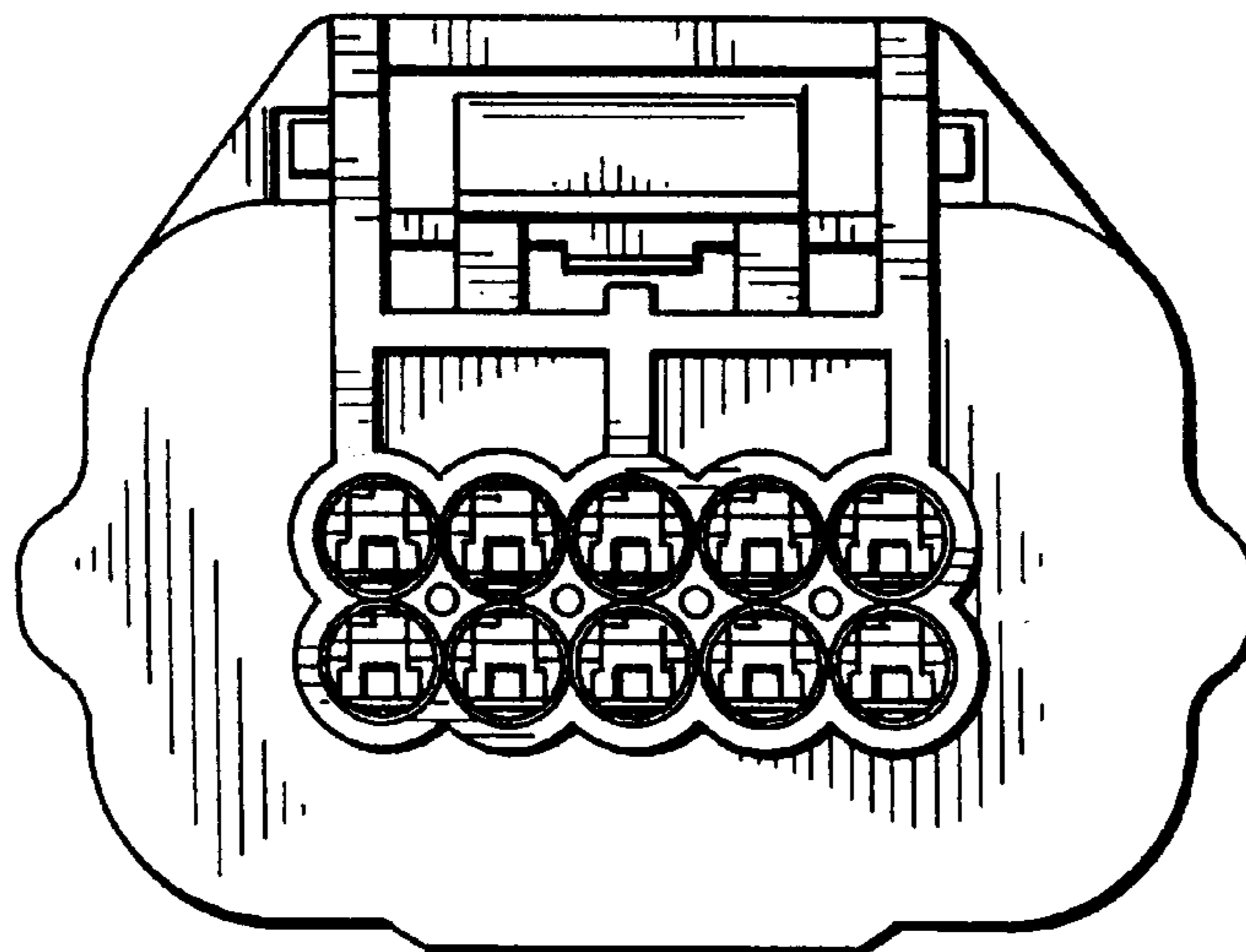
F I G . 2



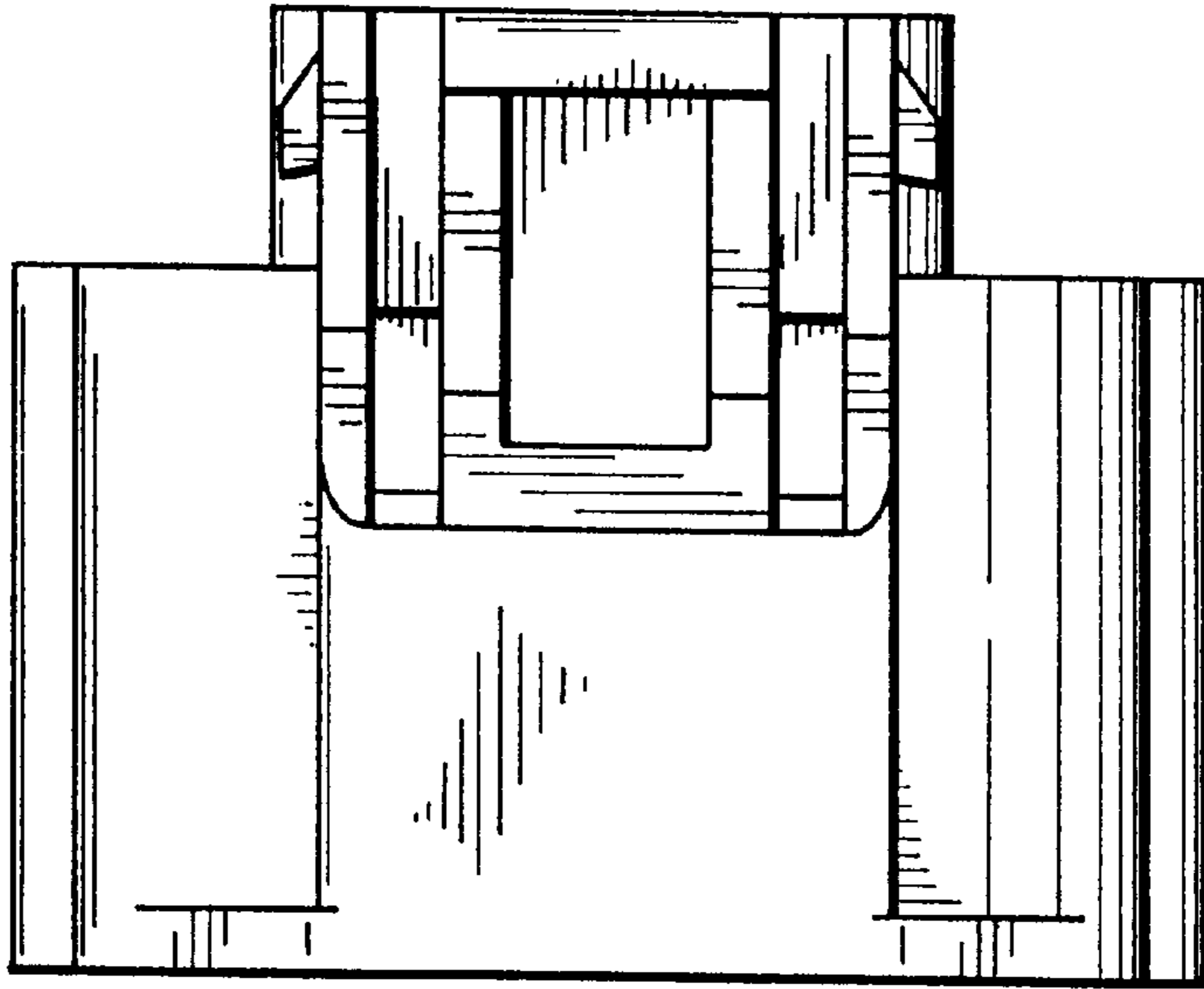
F I G . 3



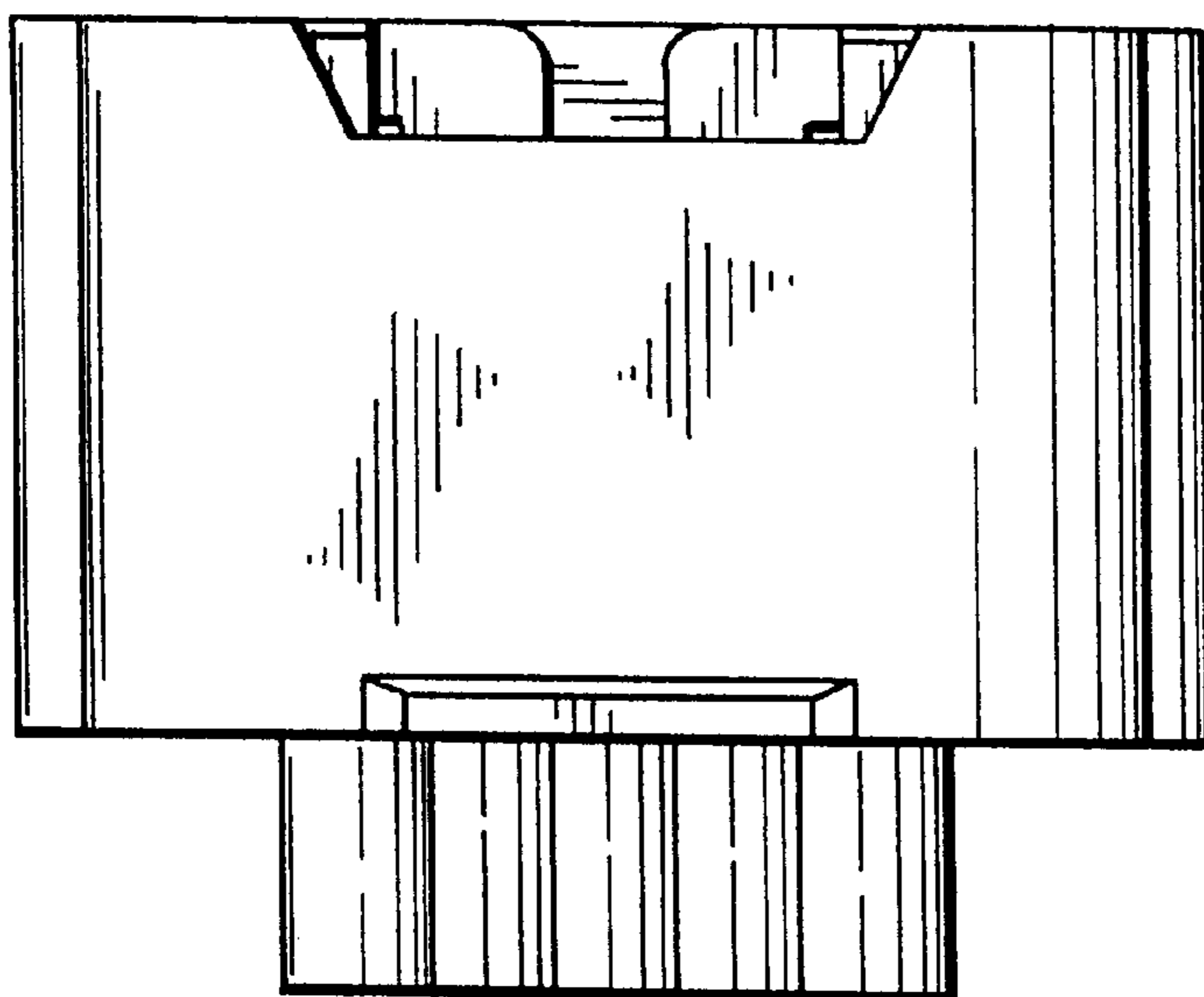
F I G . 4



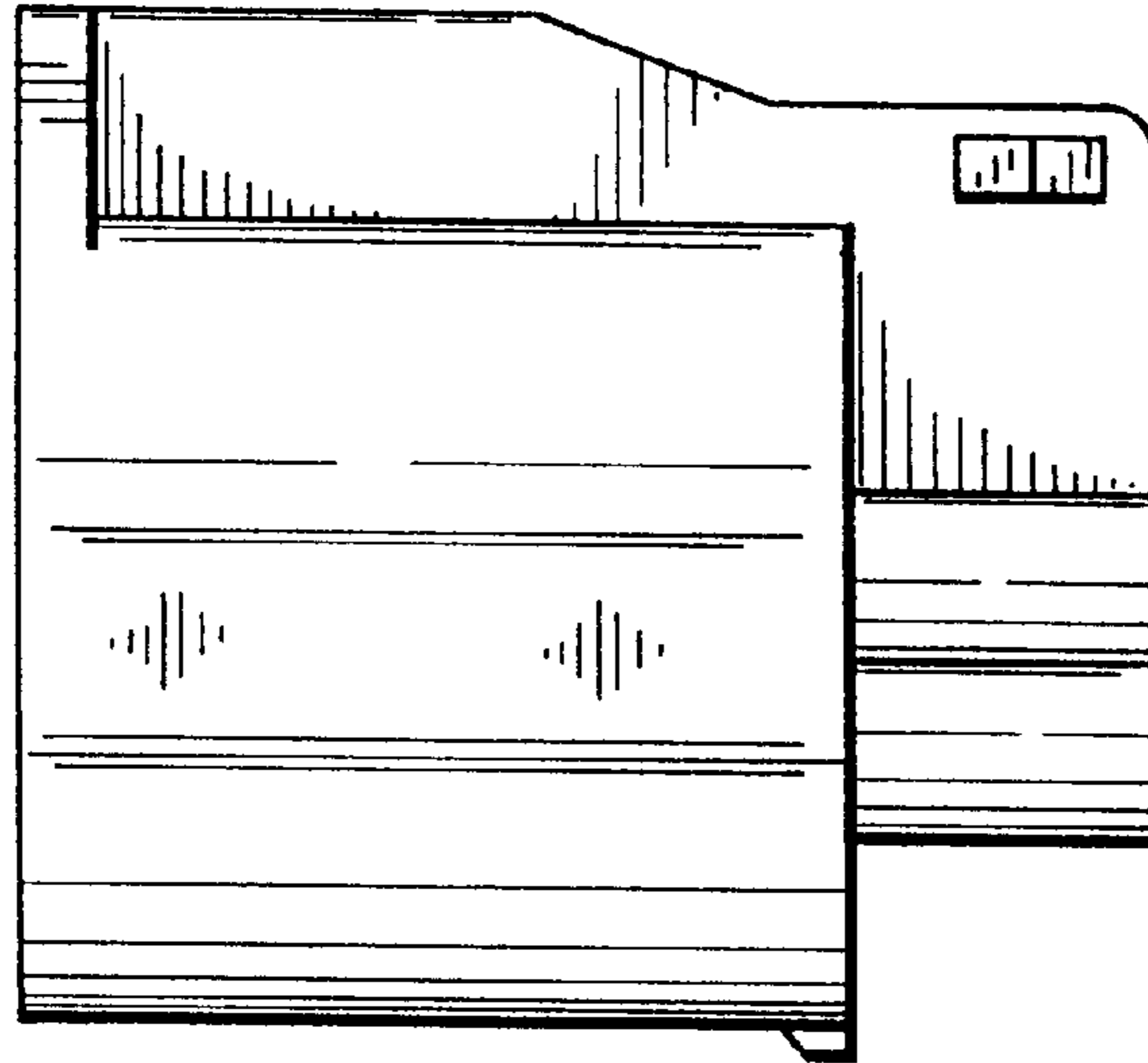
F I G . 5



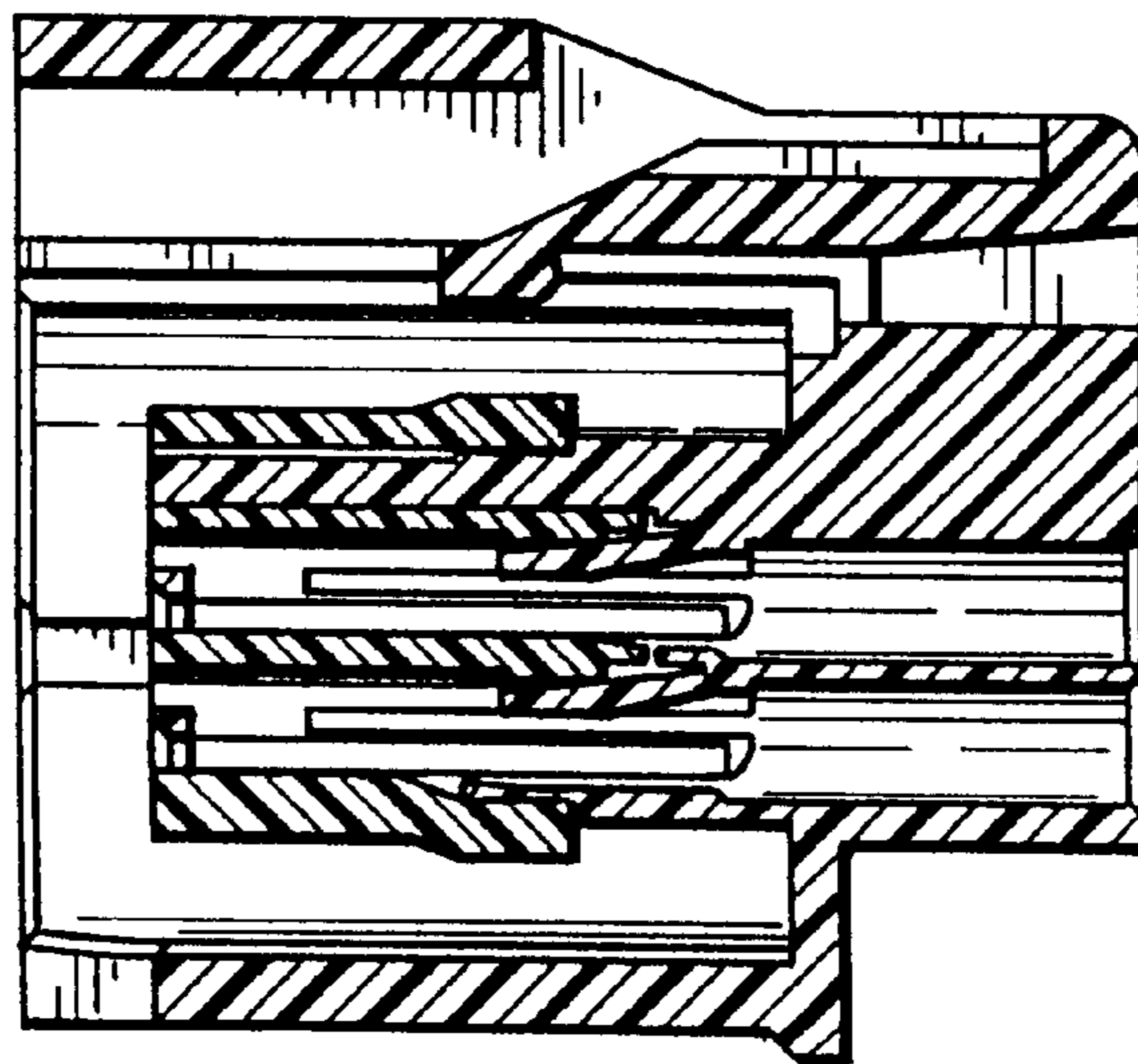
F I G . 6



F I G . 7



F I G . 8



F I G . 9

