



US00D488781S

(12) **United States Design Patent**
Taguchi

(10) **Patent No.:** **US D488,781 S**

(45) **Date of Patent:** **** Apr. 20, 2004**

(54) **ELECTRIC CONNECTOR**

(75) Inventor: **Hiroyuki Taguchi**, Kanagawa (JP)

(73) Assignee: **J. S. T. Mfg. Co., Ltd.**, Osaka (JP)

(**) Term: **14 Years**

(21) Appl. No.: **29/176,781**

(22) Filed: **Feb. 28, 2003**

(30) **Foreign Application Priority Data**

Aug. 29, 2002 (JP) 2002-023307

(51) **LOC (7) Cl.** **13-03**

(52) **U.S. Cl.** **D13/147**

(58) **Field of Search** D13/146, 147;
439/155, 188, 326, 330, 331, 489, 630,
638

(56) **References Cited**

U.S. PATENT DOCUMENTS

5,906,516 A *	5/1999	Sato et al.	439/630
5,984,707 A *	11/1999	Kuwata	439/326
D423,455 S *	4/2000	Konno et al.	D13/147
6,132,229 A *	10/2000	Wu	439/188
6,210,193 B1 *	4/2001	Ito et al.	439/326
6,334,786 B1 *	1/2002	Lee	439/331
6,425,775 B1 *	7/2002	Chang et al.	439/188
6,568,960 B2 *	5/2003	Bricaud et al.	439/630

FOREIGN PATENT DOCUMENTS

JP 1171422 A1 4/2003

OTHER PUBLICATIONS

JST Publication Entitled "SCG Connector" pp. 458-459. Certification of Registration of Design in the name of J.S.T MFG Co. Ltd; Registration No. 3001919, Registration Date Mar. 5, 2002; Date of Grant of Certificate Oct. 1, 2002 including 4 sheets of drawings.

* cited by examiner

Primary Examiner—Philip S. Hyder

Assistant Examiner—Selina Sikder

(74) *Attorney, Agent, or Firm*—Rader, Fishman & Grauer PLLC

(57) **CLAIM**

The ornamental design for an electric connector, as shown.

DESCRIPTION

FIG. 1 is a perspective view of an electric connector showing my new design; FIG. 2 is a front elevational view thereof; FIG. 3 is a rear elevational view thereof; FIG. 4 is a top plan view thereof; FIG. 5 is a bottom plan view thereof; FIG. 6 is a right side elevational view thereof; and, FIG. 7 is a left side elevational view thereof.

1 Claim, 3 Drawing Sheets

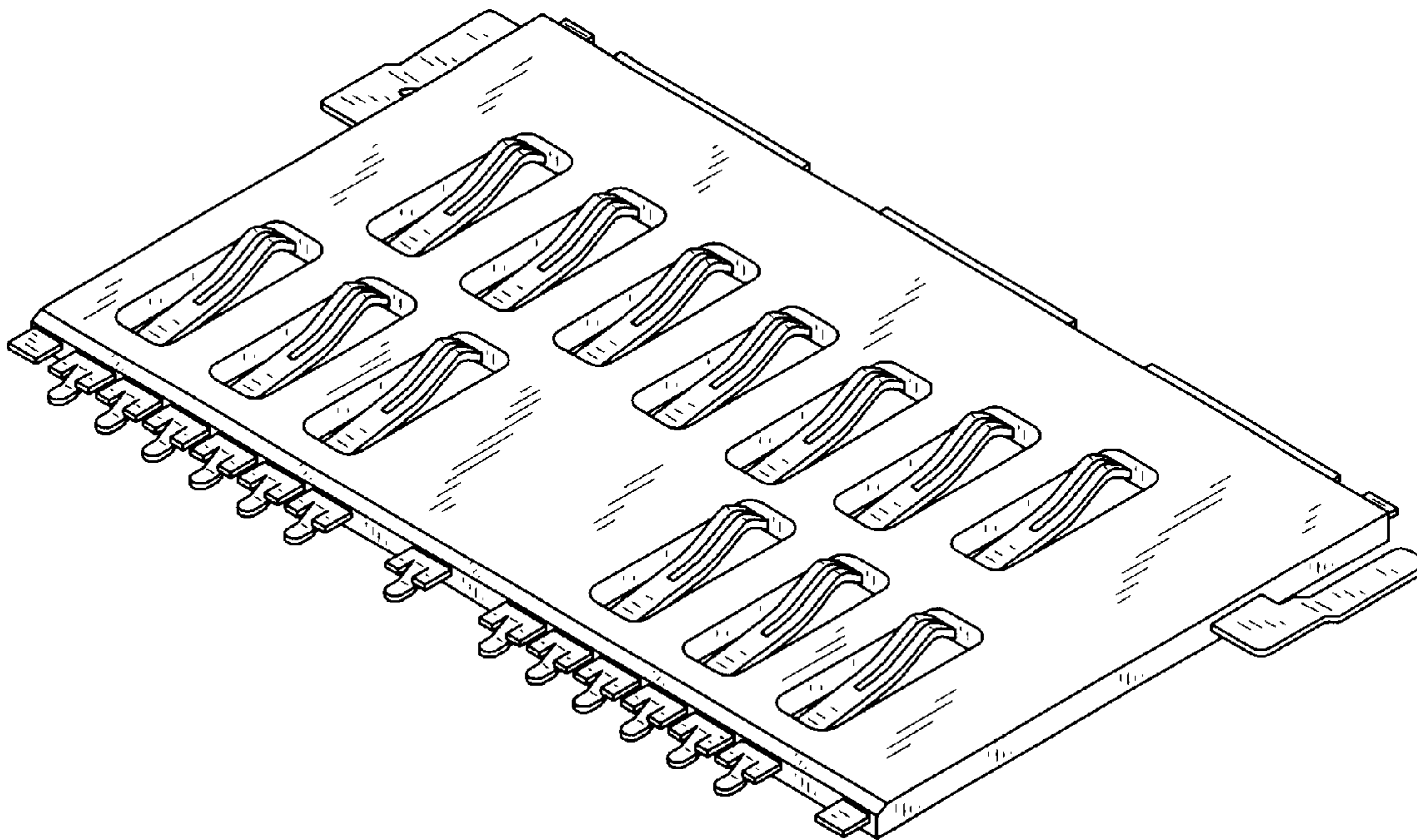


FIG. 1

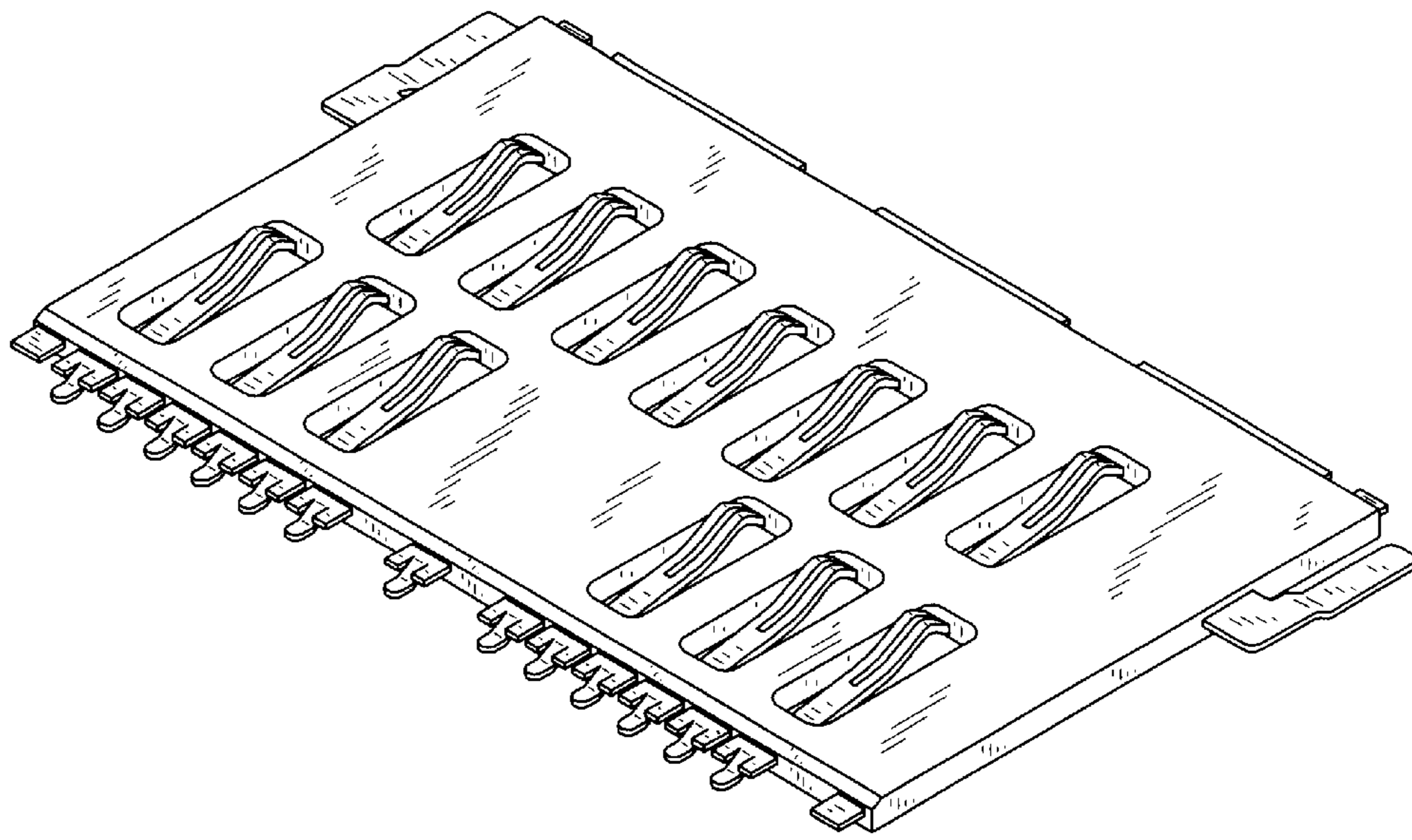


FIG. 2



FIG. 3



FIG. 4

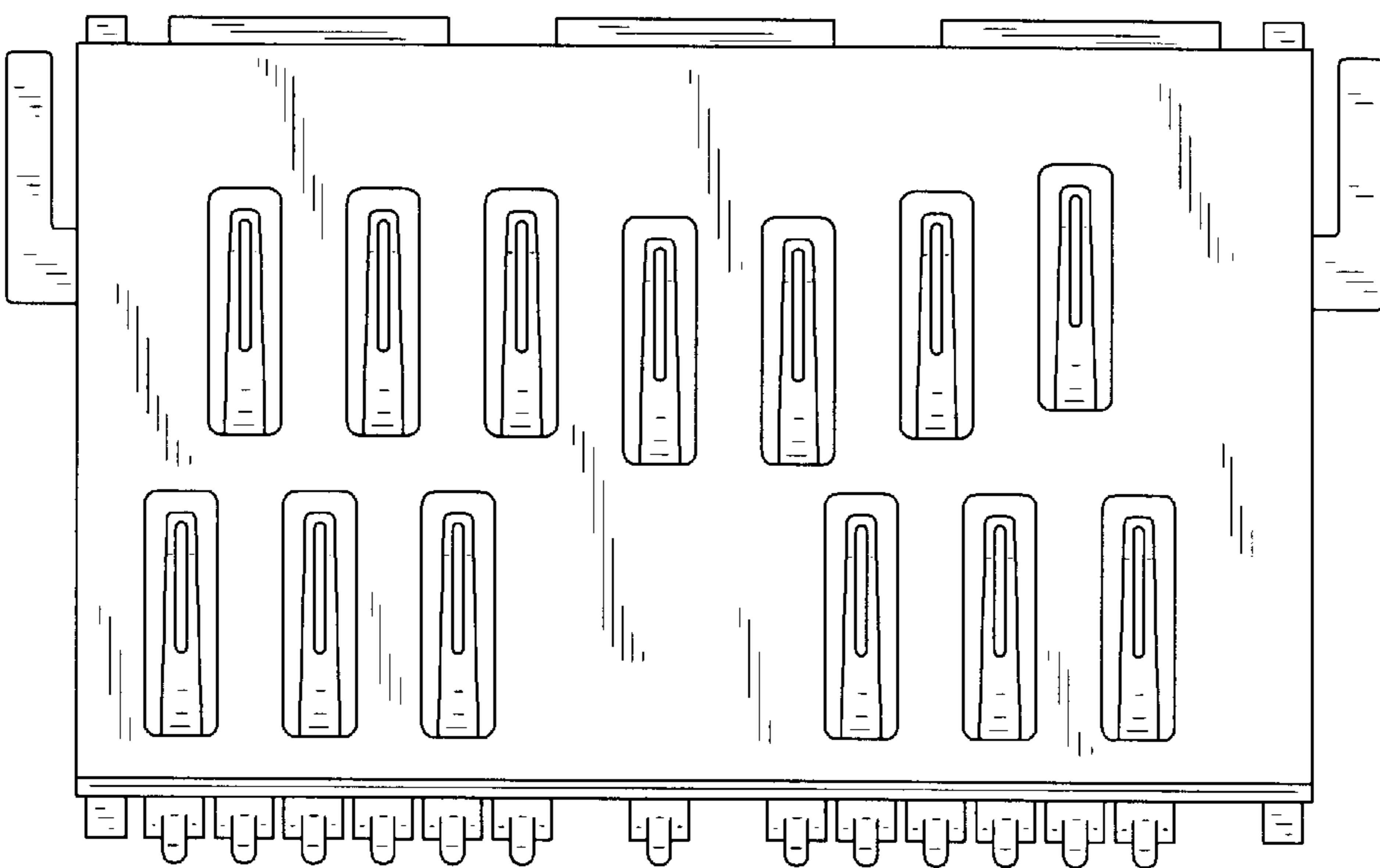


FIG. 5

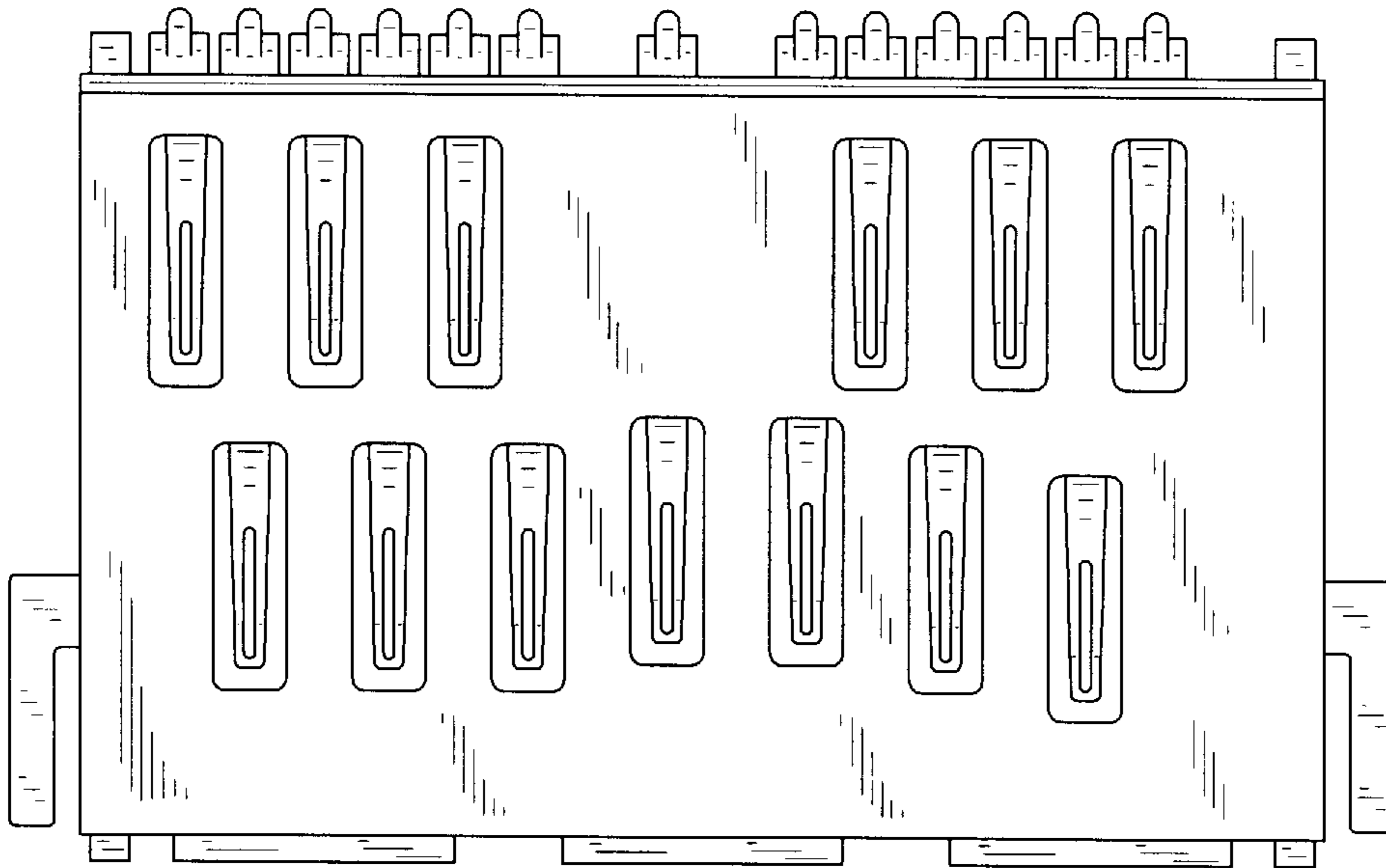


FIG. 6

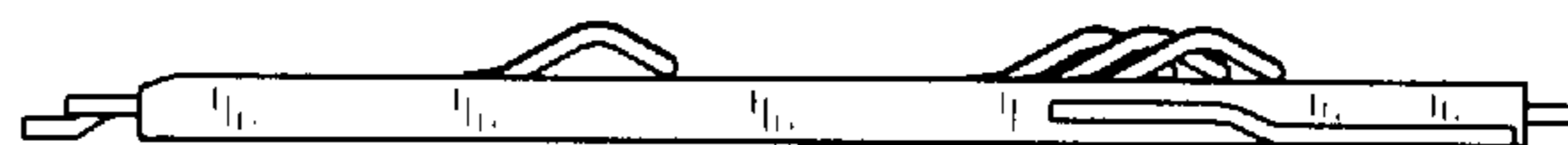


FIG. 7

