



US00D488776S

(12) **United States Design Patent**  
Su et al.

(10) **Patent No.:** **US D488,776 S**

(45) **Date of Patent:** **\*\* Apr. 20, 2004**

(54) **POWER SUPPLY**

(75) Inventors: **Chun-Lung Su, Hsin-Tien (TW);  
Tzung-Han Lee, Hsin-Tien (TW);  
Hsien-Tang Weng, Hsin-Tien (TW)**

(73) Assignee: **Zippy Technology Corp. (TW)**

(\*\*) Term: **14 Years**

(21) Appl. No.: **29/181,750**

(22) Filed: **May 16, 2003**

(51) **LOC (7) Cl.** ..... **13-02**

(52) **U.S. Cl.** ..... **D13/110**

(58) **Field of Search** ..... D13/110; 307/64,  
307/150; 361/679, 695, 725, 727, 728;  
363/144

(56) **References Cited**

**U.S. PATENT DOCUMENTS**

D418,808 S	*	1/2000	Lee	.....	D13/110
D431,810 S	*	10/2000	Weng	.....	D13/110
D435,828 S	*	1/2001	Chou	.....	D13/110
D436,075 S	*	1/2001	Chou	.....	D13/110
D445,761 S	*	7/2001	Weng	.....	D13/110

D453,139 S	*	1/2002	Yang	.....	D13/110
D454,111 S	*	3/2002	Rodriguez	.....	D13/110
D460,042 S	*	7/2002	Rodriguez	.....	D13/110
D465,453 S	*	11/2002	Chan	.....	D13/110

\* cited by examiner

*Primary Examiner*—Philip S. Hyder

*Assistant Examiner*—Daniel Bui

(74) *Attorney, Agent, or Firm*—Birch, Stewart, Kolasch & Birch, LLP

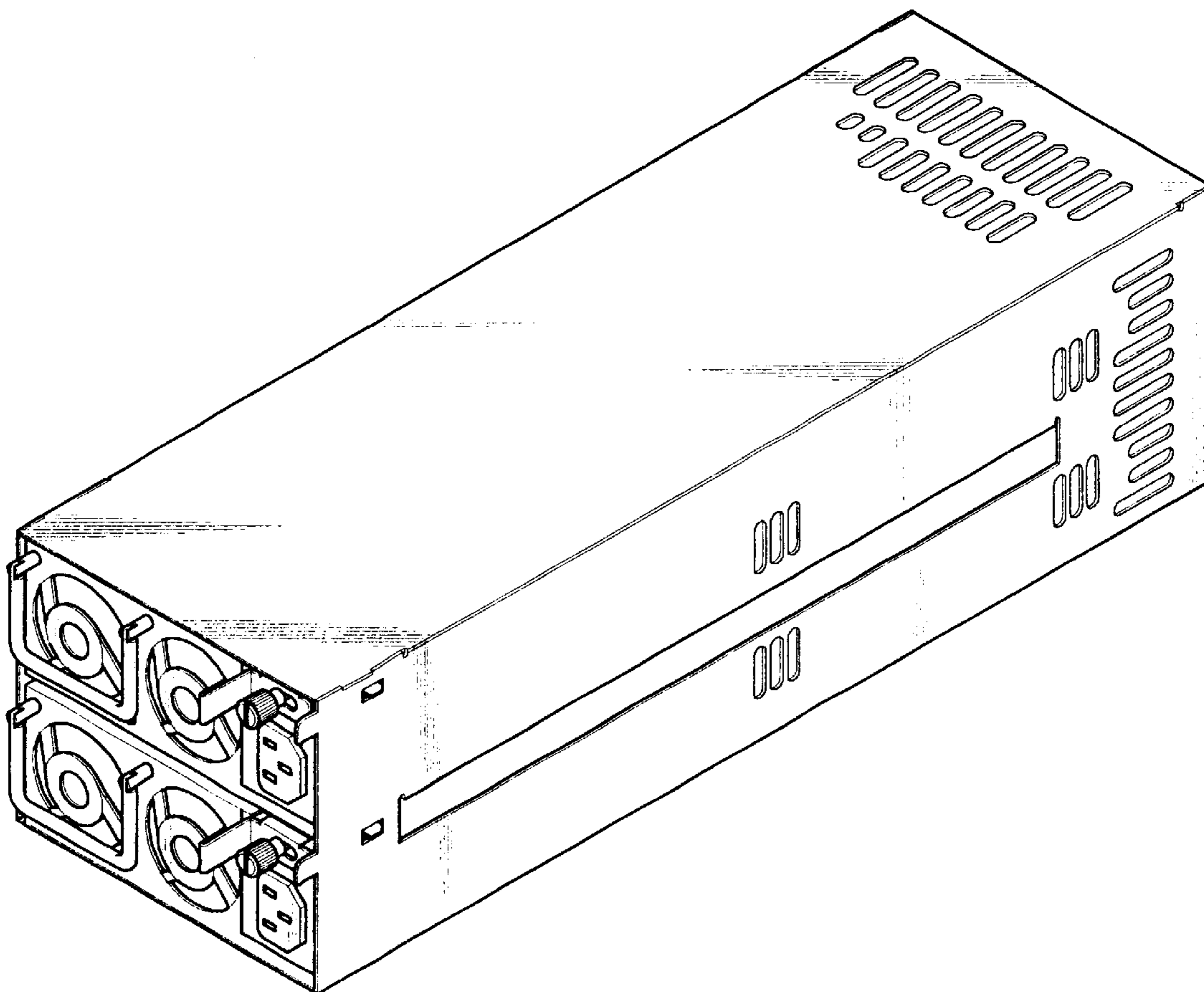
(57) **CLAIM**

The ornamental design for a “power supply”, as shown and described.

**DESCRIPTION**

FIG. 1 is a perspective view of a “power supply” showing our new design;  
FIG. 2 is a right side elevational view thereof;  
FIG. 3 is a top plan view thereof;  
FIG. 4 is a front side elevational view thereof;  
FIG. 5 is a bottom plan view thereof;  
FIG. 6 is a left side elevational view thereof; and,  
FIG. 7 is a rear side elevational view thereof.

**1 Claim, 4 Drawing Sheets**



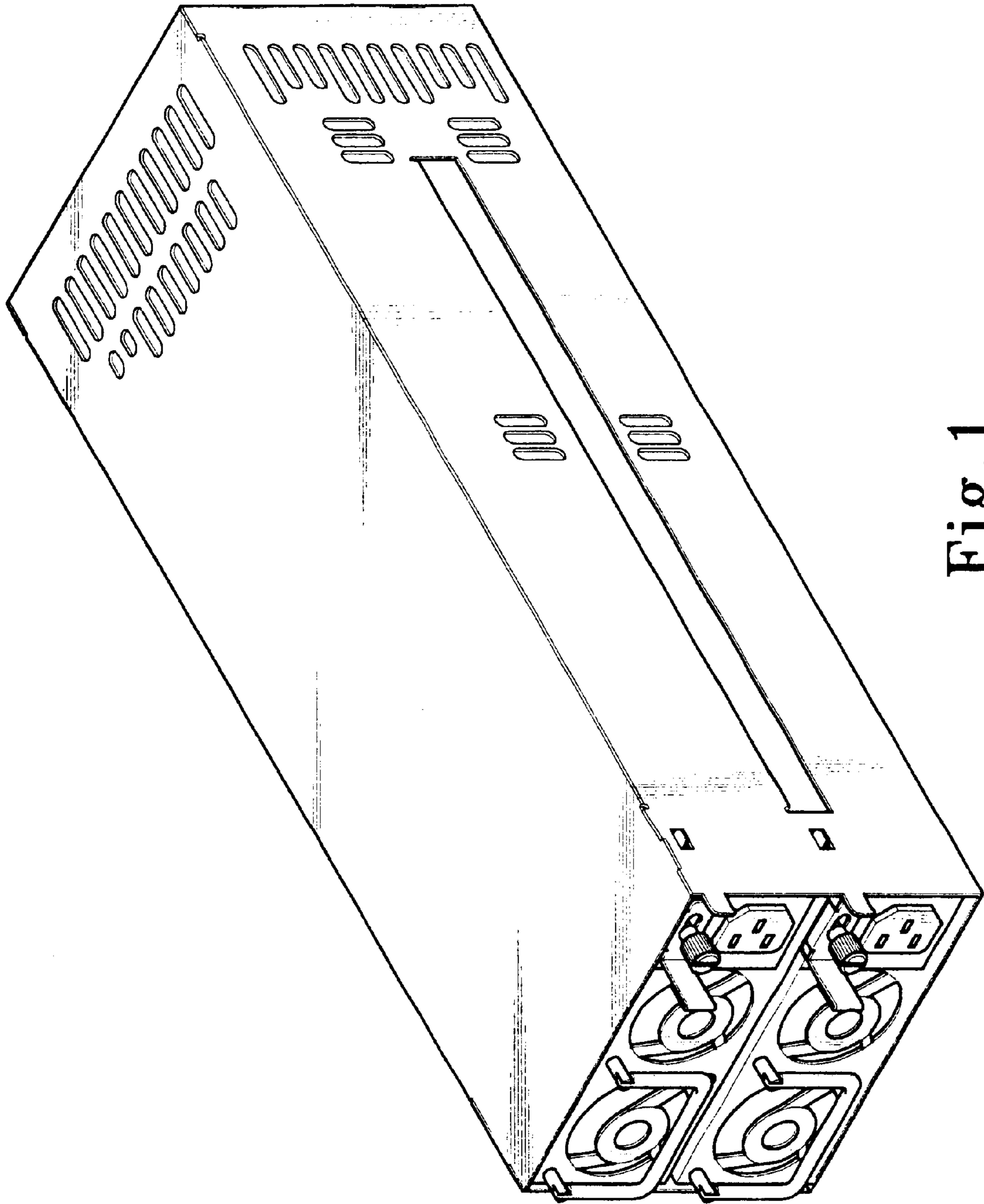


Fig. 1

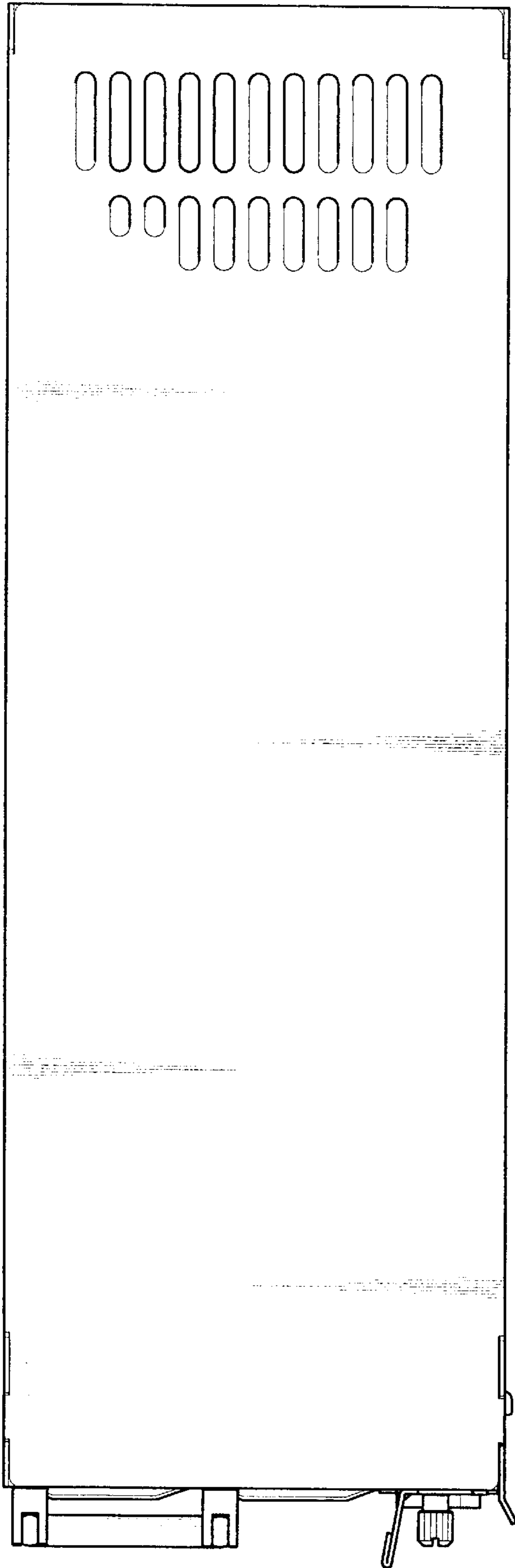


Fig. 3

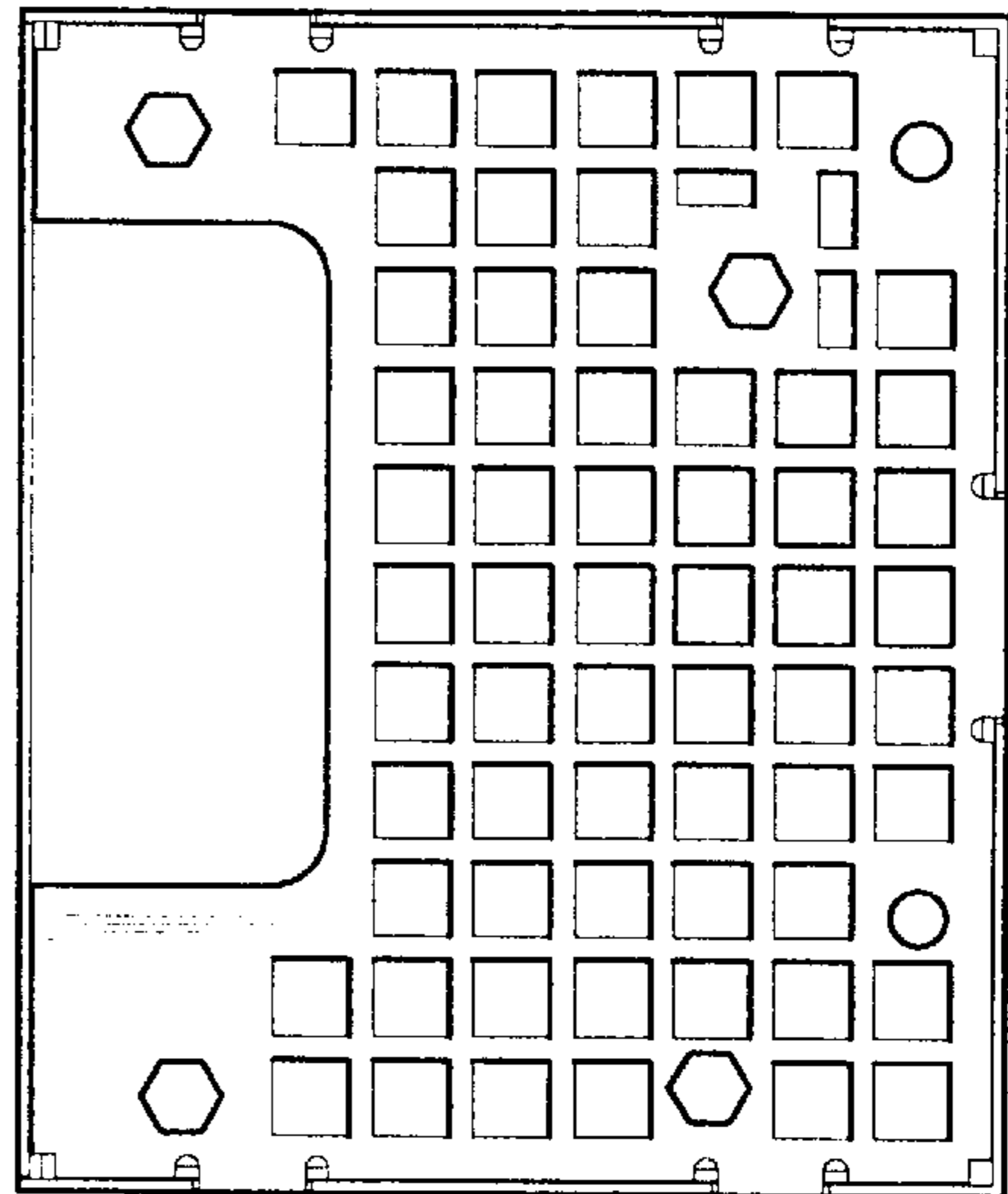


Fig. 2

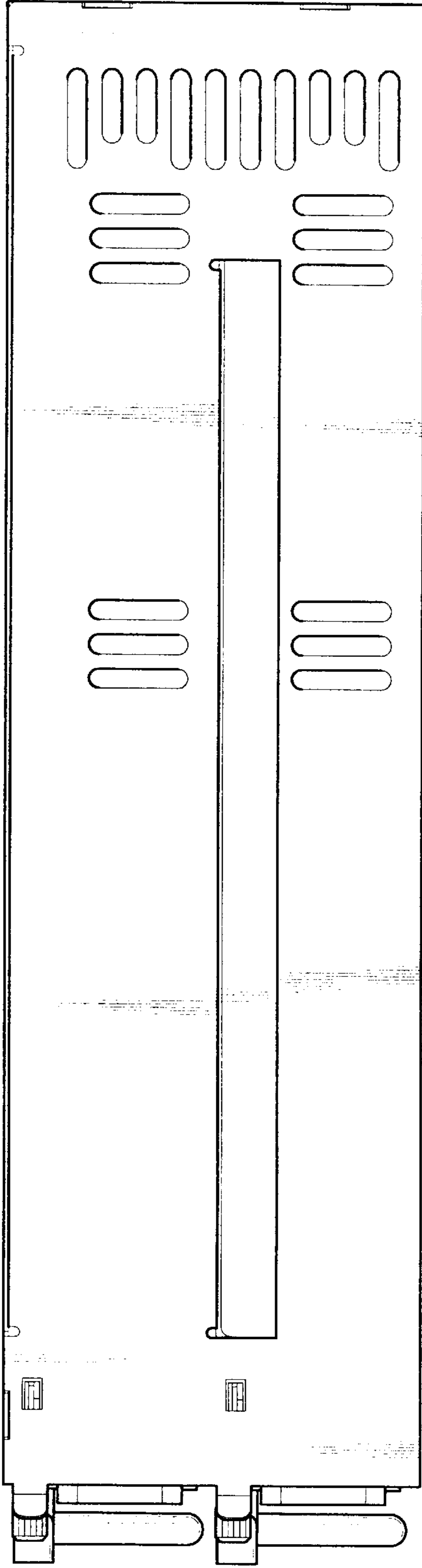


Fig. 4

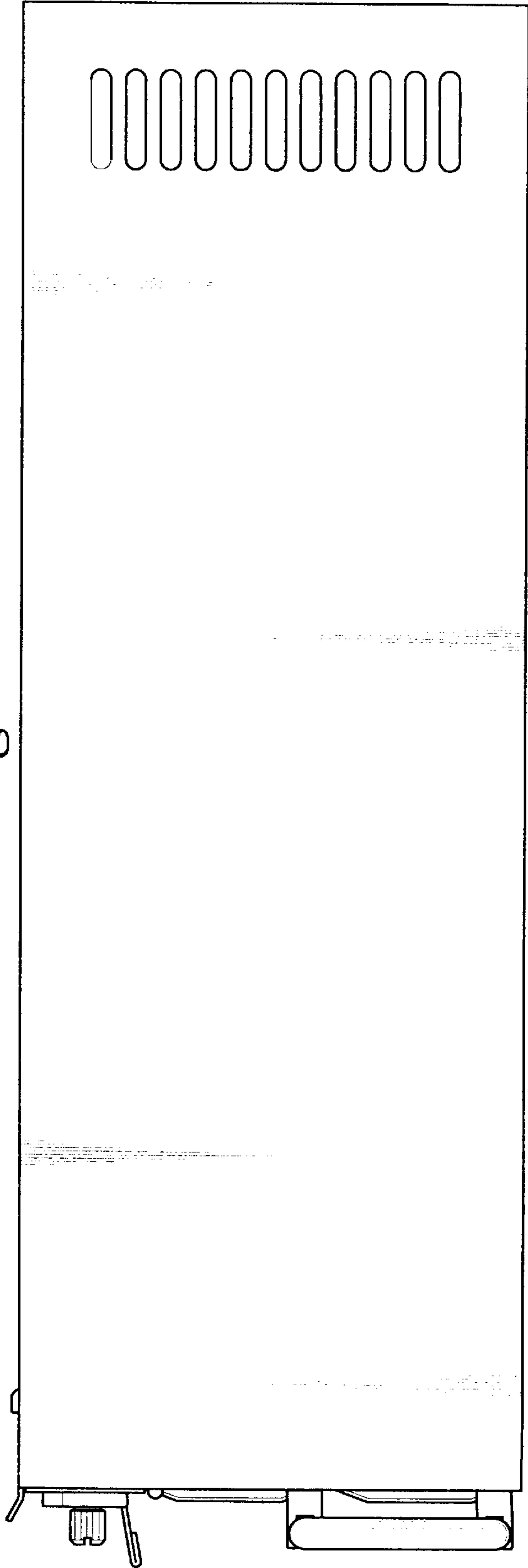


Fig. 5

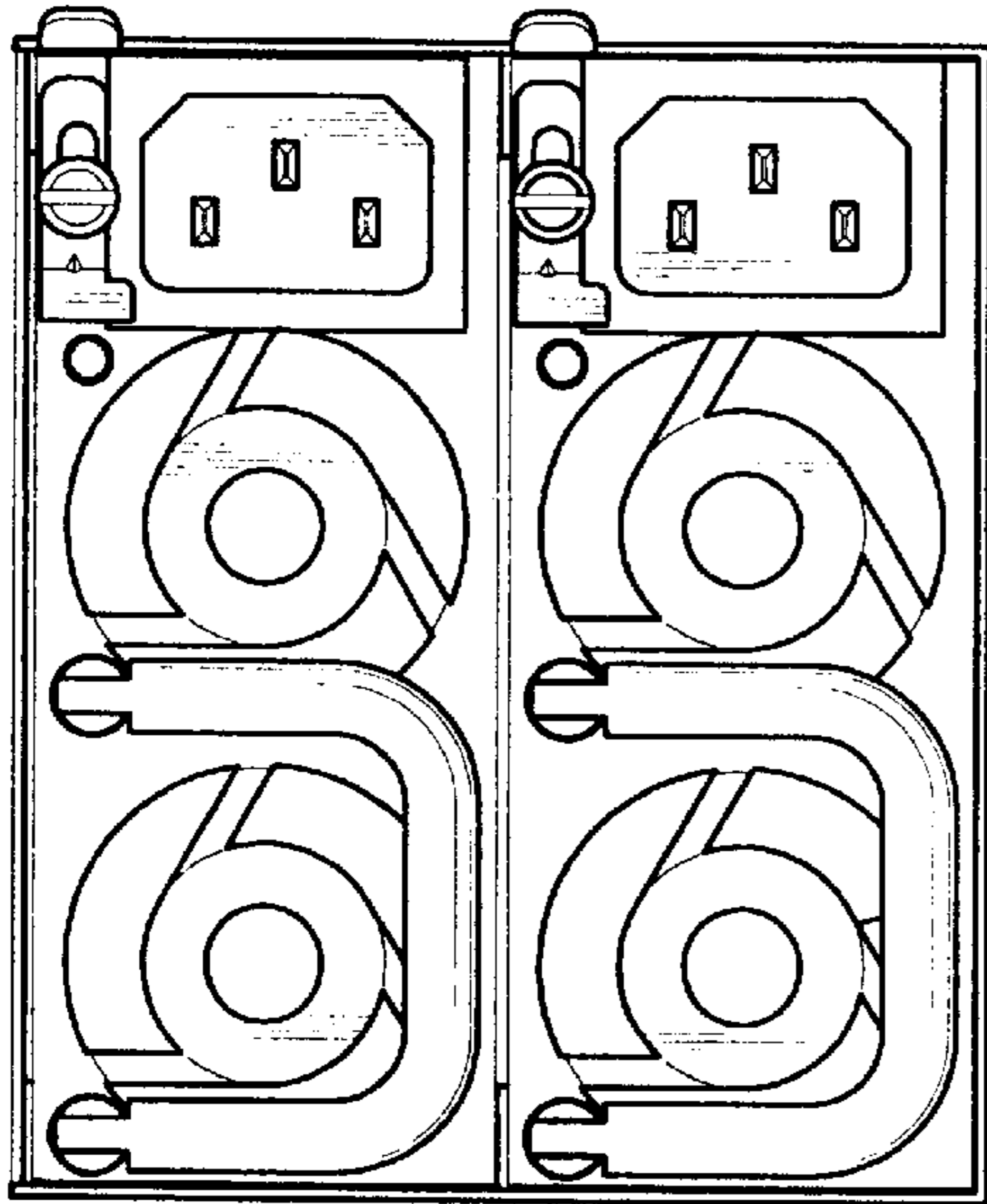


Fig. 6

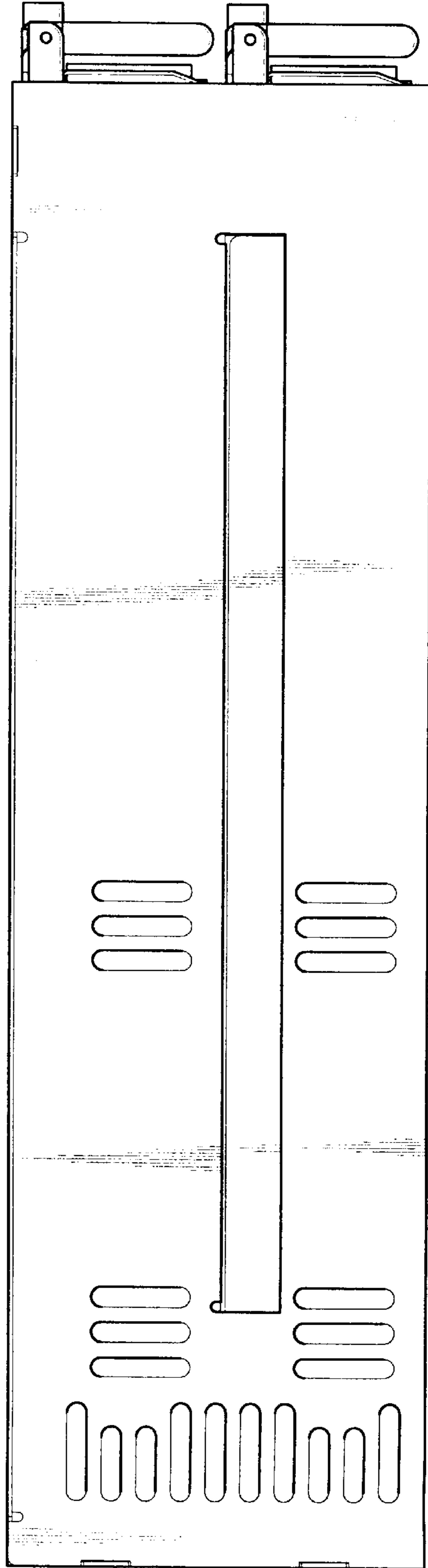


Fig. 7