



US00D488775S

(12) **United States Design Patent**
Richards et al.

(10) **Patent No.:** **US D488,775 S**

(45) **Date of Patent:** **** Apr. 20, 2004**

(54) **BATTERY CHARGER**

(75) Inventors: **Scott Richards**, Plantation, FL (US);
Andreas Haase, Plantation, FL (US);
Robert T. Schwartz, Weston, FL (US);
Kevin Maggert, Lawrenceville, GA
(US); **Due Q. Huynh**, Lawrenceville,
GA (US); **Charles Friedli**,
Lawrenceville, GA (US)

(73) Assignee: **Motorola, Inc.**, Schaumburg, IL (US)

(**) Term: **14 Years**

(21) Appl. No.: **29/171,113**

(22) Filed: **Nov. 16, 2002**

(51) **LOC (7) Cl.** **13-02**

(52) **U.S. Cl.** **D13/107**

(58) **Field of Search** D13/107, 108;
320/107-115

(56) **References Cited**

U.S. PATENT DOCUMENTS

D278,704 S * 5/1985 Claxton et al. D13/107

D281,064 S * 10/1985 Scheid D13/107
D349,485 S * 8/1994 Richards et al. D13/107
D442,141 S * 5/2001 Ikenaga D13/107
D474,737 S * 5/2003 Yoshida D13/108

* cited by examiner

Primary Examiner—Joel Sincavage
(74) *Attorney, Agent, or Firm*—Philip H. Burrus, IV

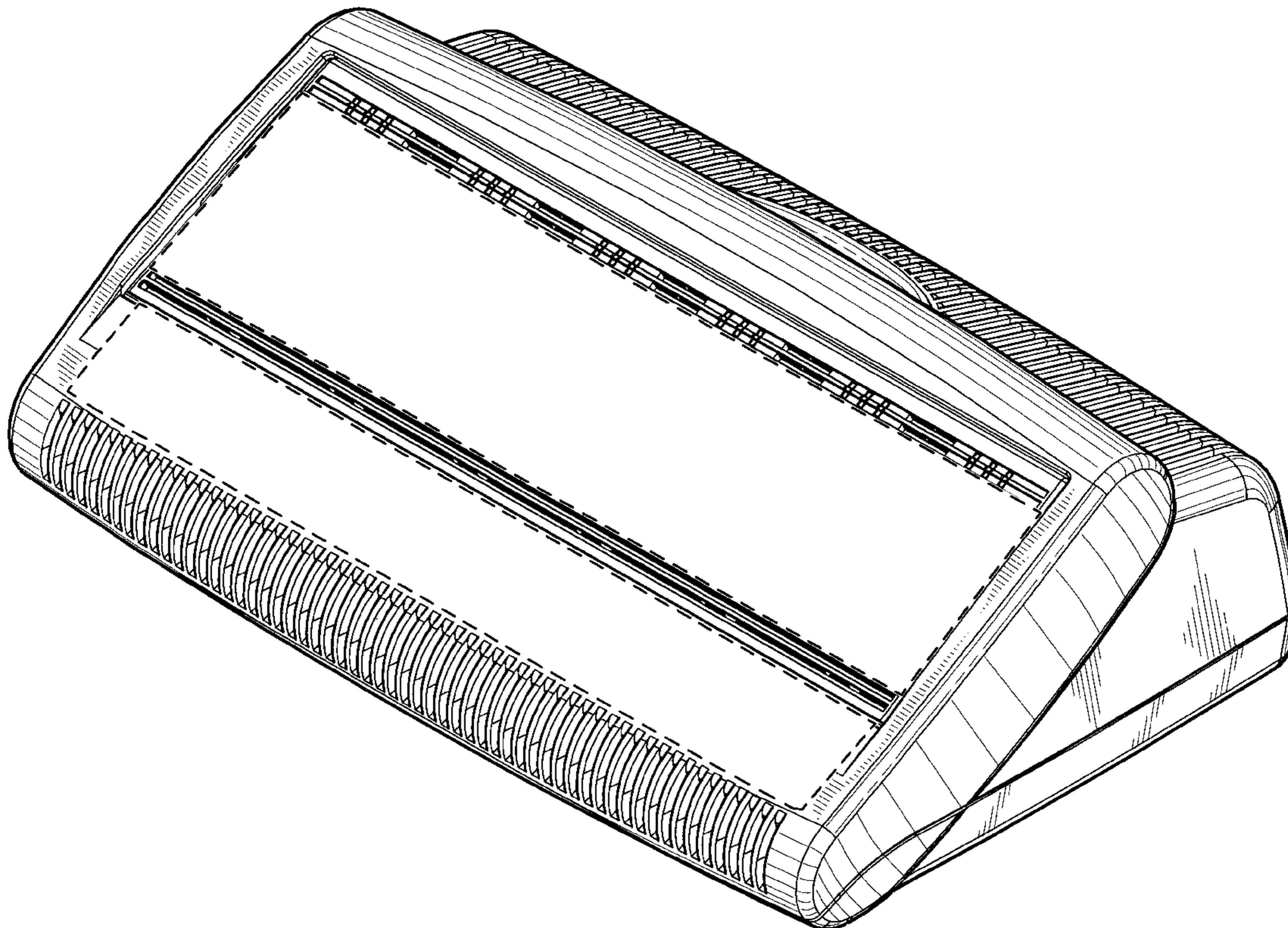
(57) **CLAIM**

The ornamental design for a battery charger, as shown and described.

DESCRIPTION

FIG. 1 is a front, elevational view of a battery charger showing our new design;
FIG. 2 is a rear, elevational view thereof;
FIG. 3 is a top, plan view thereof;
FIG. 4 is a bottom, plan view thereof;
FIG. 5 is a front, right, top, isometric view thereof; and,
FIG. 6 is a left, elevational view thereof.
The dashed lines indicate unclaimed subject matter by outline.

1 Claim, 6 Drawing Sheets



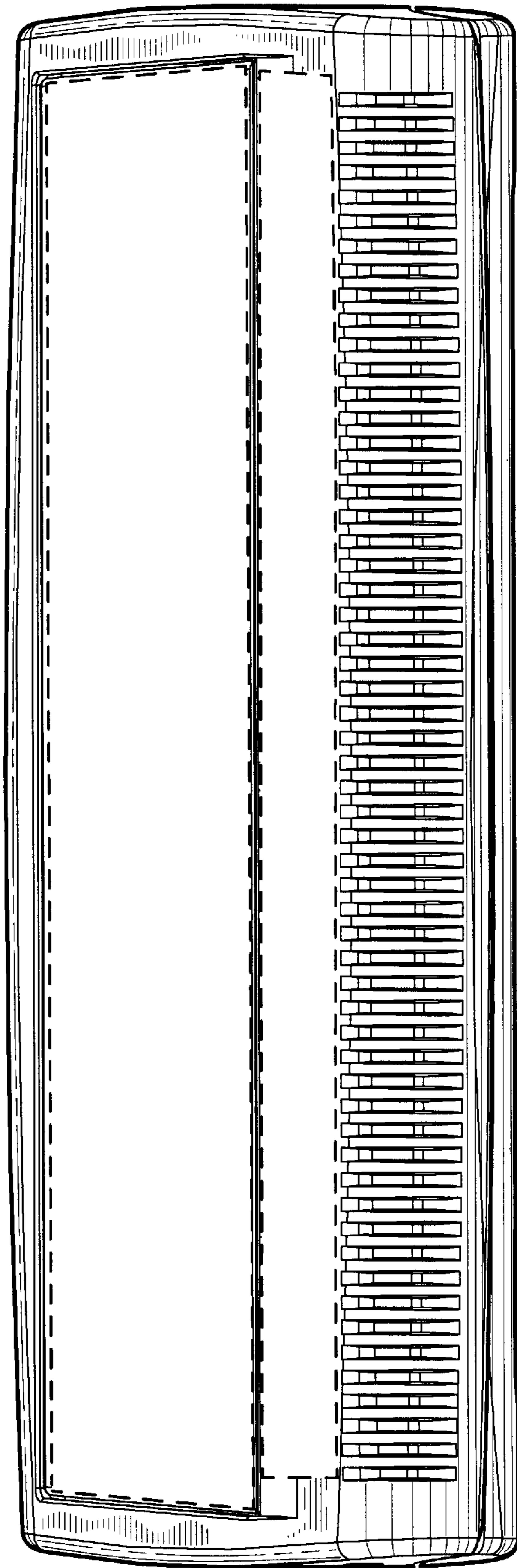


FIG. 1

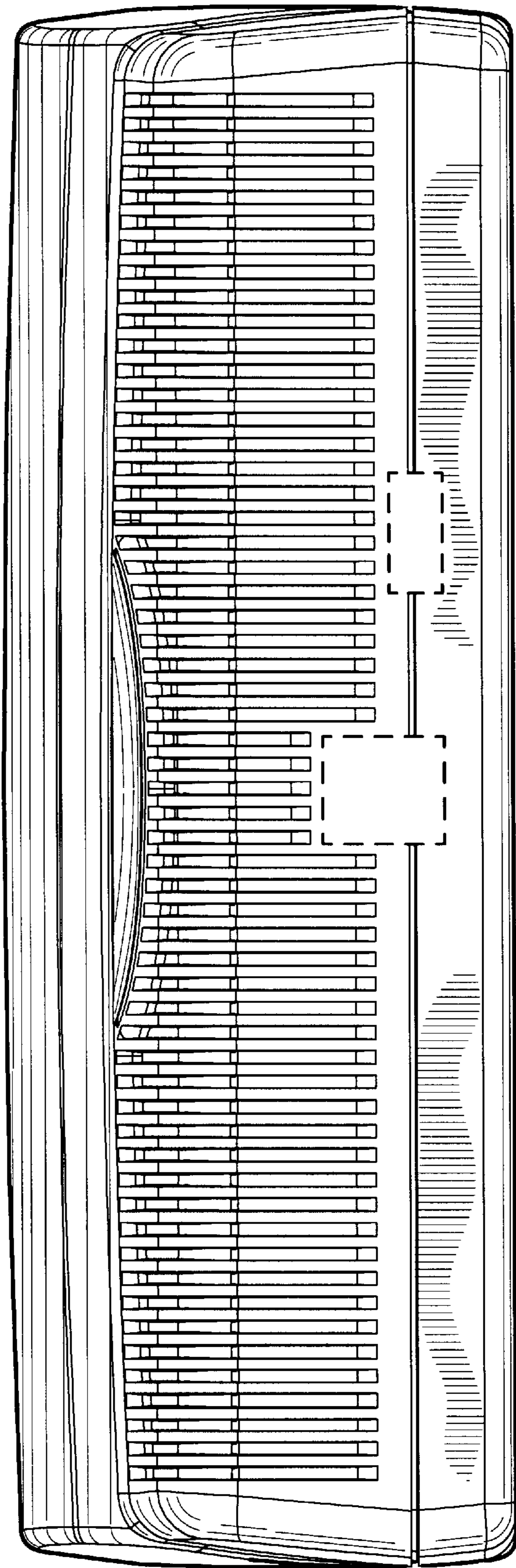


FIG. 2

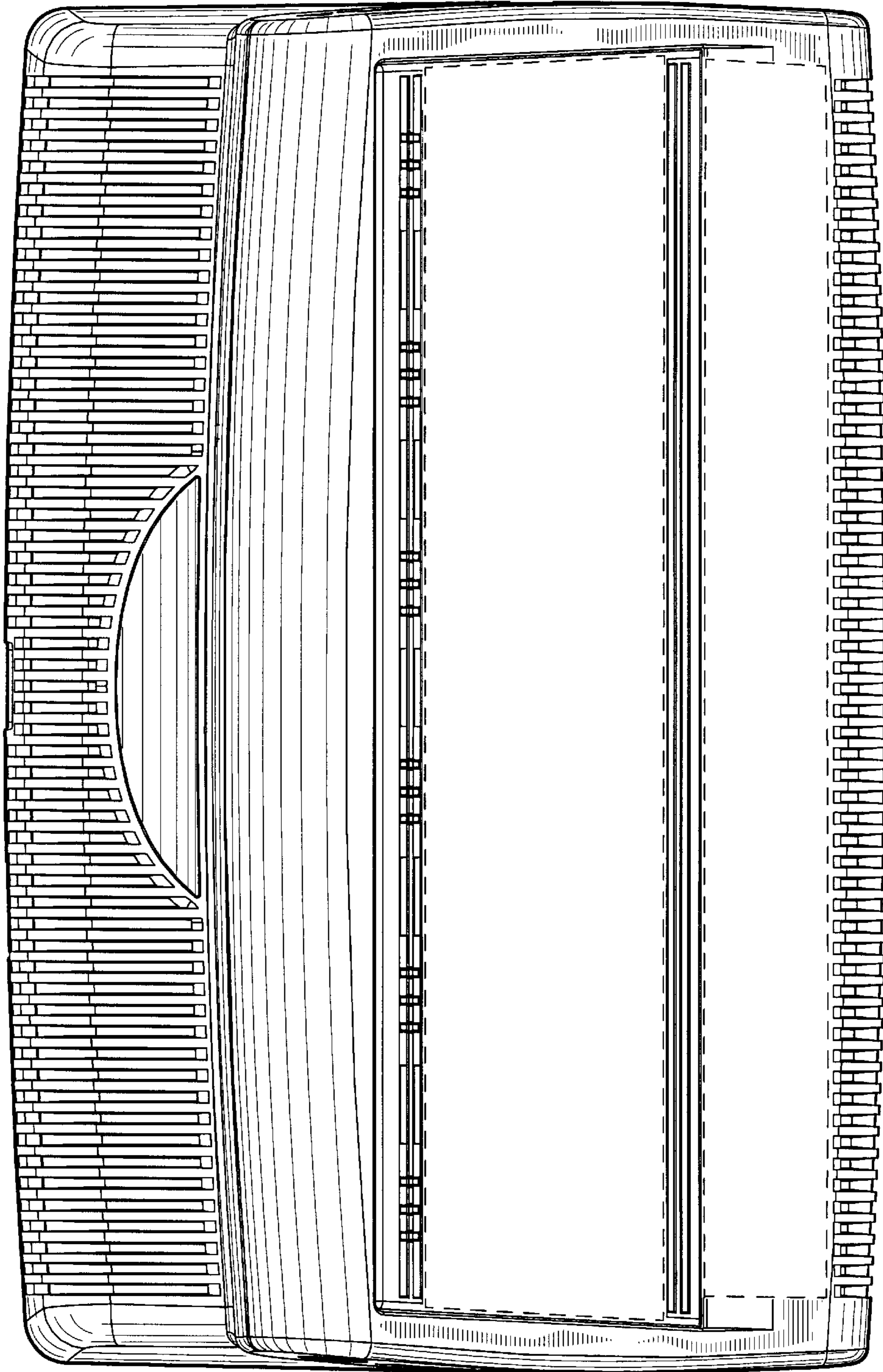


FIG. 3

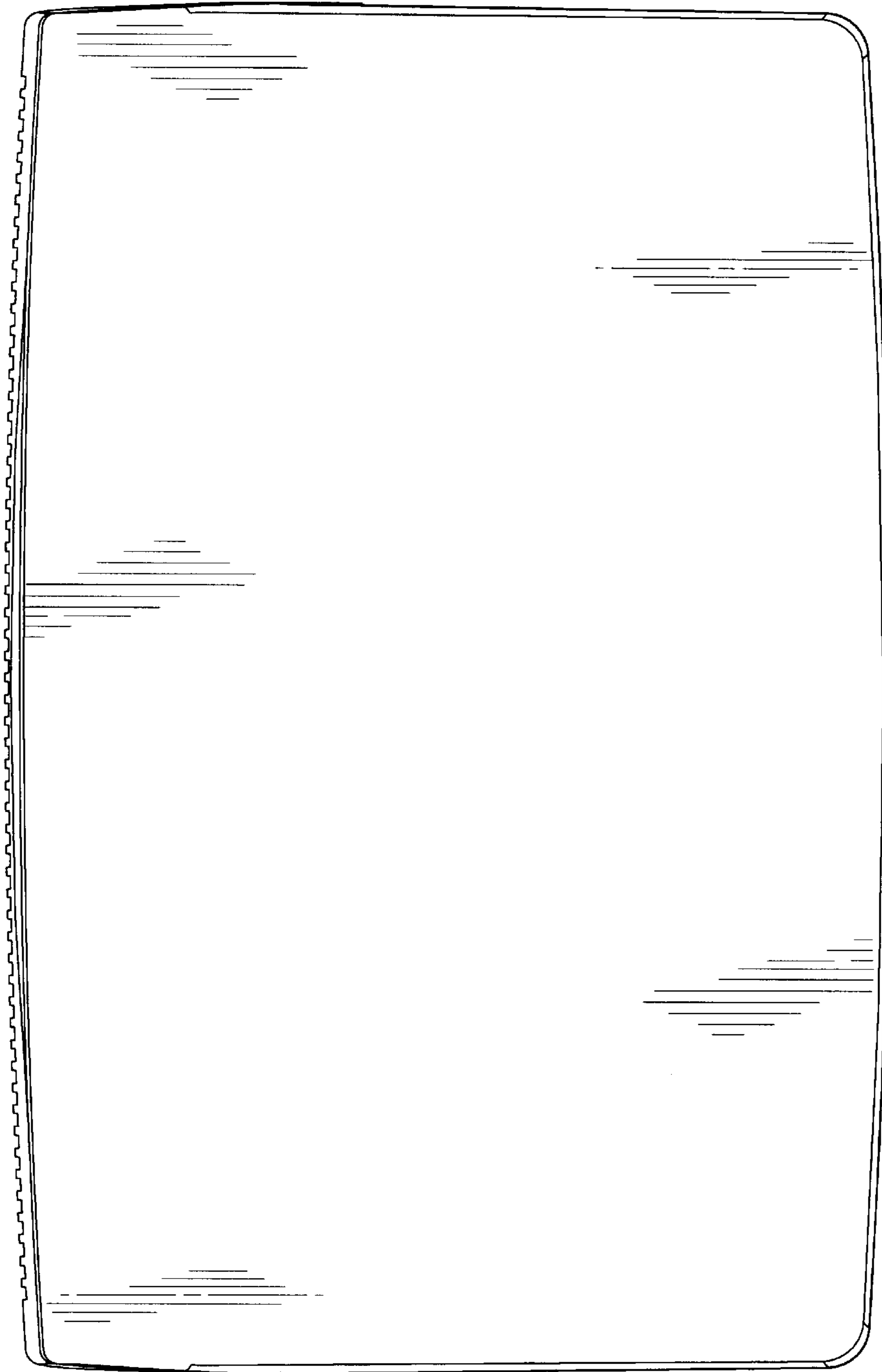


FIG. 4

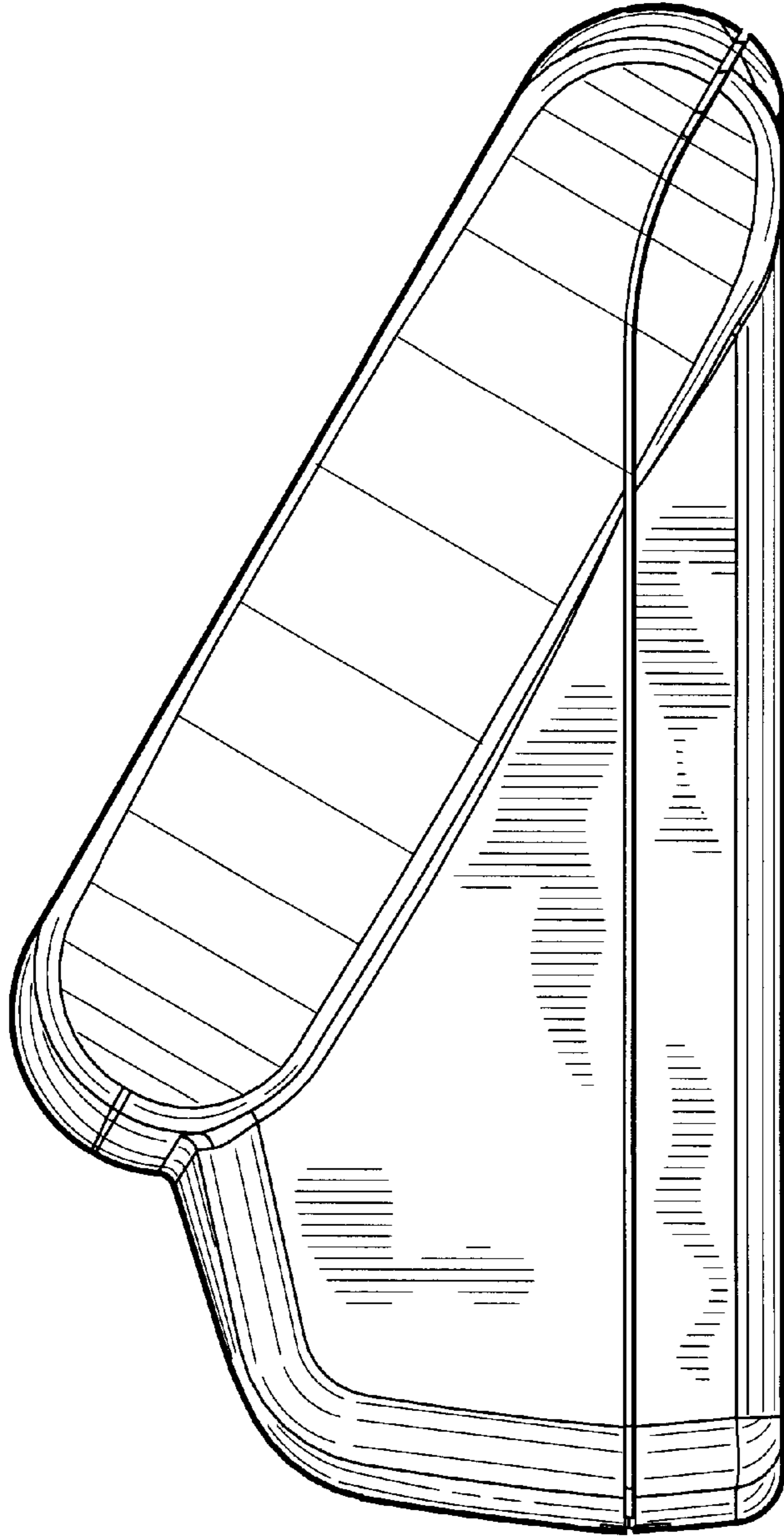


FIG. 5

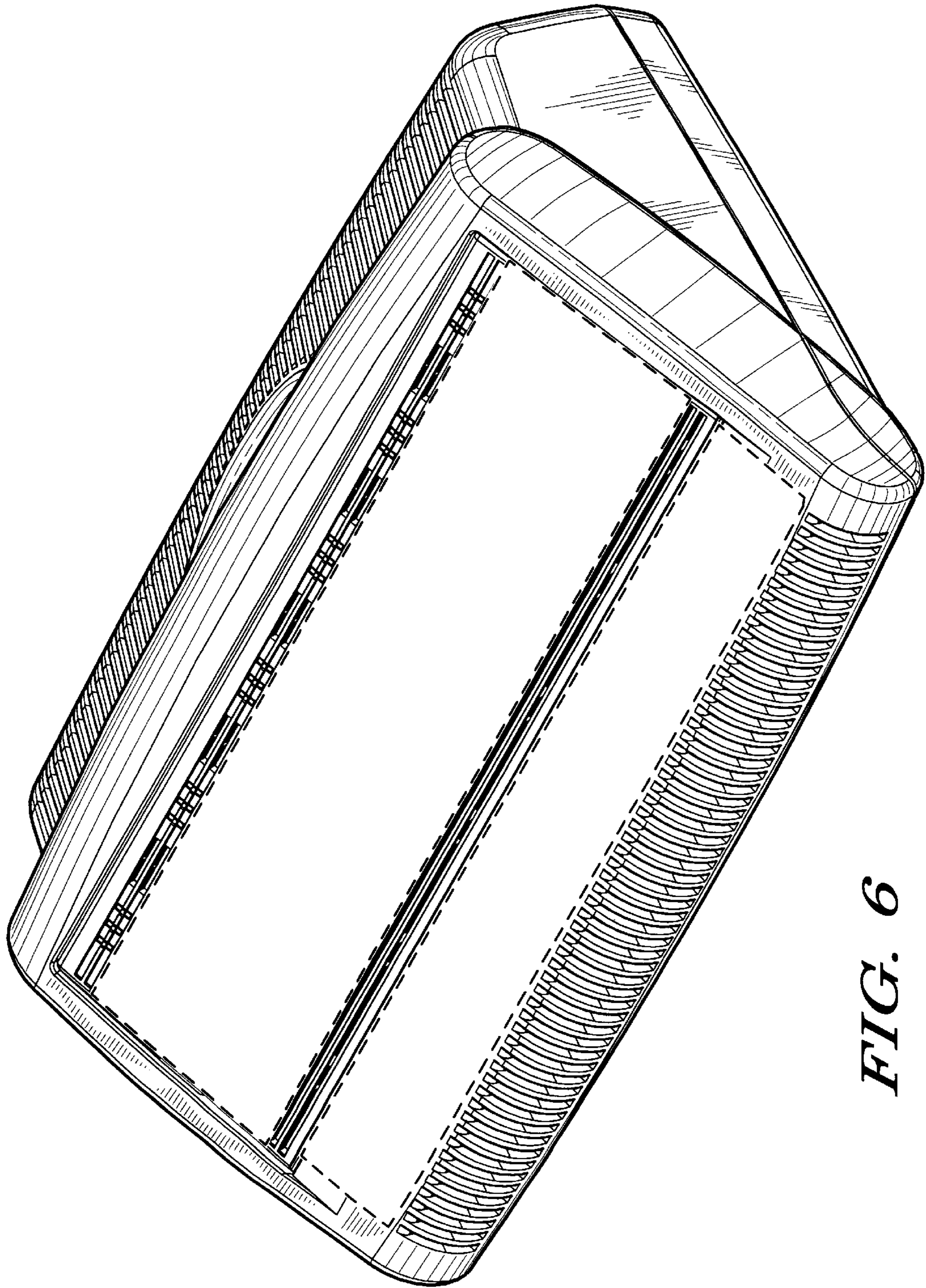


FIG. 6