



US00D488766S

(12) **United States Design Patent**
Lutz

(10) **Patent No.:** **US D488,766 S**

(45) **Date of Patent:** **** Apr. 20, 2004**

(54) **NOVELTY HANGER FOR AUTOMOBILES**

(76) **Inventor:** **Floriana Lutz**, 2761 Meadow La.,
Mead, CO (US) 80542

(**) **Term:** **14 Years**

(21) **Appl. No.:** **29/179,653**

(22) **Filed:** **Apr. 10, 2003**

(51) **LOC (7) Cl.** **12-16**

(52) **U.S. Cl.** **D12/400**

(58) **Field of Search** D12/400; D20/42,
D20/40; 40/591, 593, 563, 658, 643-644,
584, 124-124.4, 617-618, 624; D26/113;
428/31; 206/335

(56) **References Cited**

U.S. PATENT DOCUMENTS

1,371,678 A	3/1921	Gerken	
3,425,539 A	2/1969	Mach	
3,430,376 A	3/1969	Drybread, Sr. et al.	
3,701,210 A	10/1972	Smith	
4,154,383 A	5/1979	Honatzis	
4,928,954 A	5/1990	Levine et al.	
5,520,364 A	5/1996	Bloxson et al.	
D391,917 S	3/1998	Hicks, Jr.	
D418,171 S	* 12/1999	Robinson et al.	D20/42
D418,476 S	* 1/2000	Nickel	D12/400
D430,220 S	* 8/2000	Fu	D20/42
D433,457 S	* 11/2000	Linton	D20/42
D439,619 S	* 3/2001	Swann	D20/42
6,298,590 B1	10/2001	Levinson	
D469,733 S	* 2/2003	Krumholz	D12/400
D477,270 S	* 7/2003	Bowers	D12/400

* cited by examiner

Primary Examiner—Stacia Cadmus

(74) *Attorney, Agent, or Firm*—Robert Ryan Morishita;
Anderson & Morishita, L.L.C.

(57) **CLAIM**

The ornamental design for a novelty hanger for automobiles,
as shown and described.

DESCRIPTION

FIG. 1 is a front view of a novelty hanger for automobiles according to a first embodiment of the present invention; FIG. 2 is a back view of the novelty hanger for automobiles of FIG. 1; FIG. 3 is a left side view of the novelty hanger for automobiles of FIG. 1; FIG. 4 is a right side view of the novelty hanger for automobiles of FIG. 1; FIG. 5 is a top view of the novelty hanger for automobiles of FIG. 1; FIG. 6 is a bottom view of the novelty hanger of automobiles for FIG. 1; FIG. 7 is a front view of a novelty hanger for automobiles according to a second embodiment of the present invention; FIG. 8 is a back view of the novelty hanger for automobiles of FIG. 7; FIG. 9 is a left side view of the novelty hanger for automobiles of FIG. 7; FIG. 10 is a right side view of the novelty hanger for automobiles of FIG. 7; FIG. 11 is a top view of the novelty hanger for automobiles of FIG. 7; and, FIG. 12 is a bottom view of the novelty hanger for automobiles of FIG. 7.

1 Claim, 4 Drawing Sheets

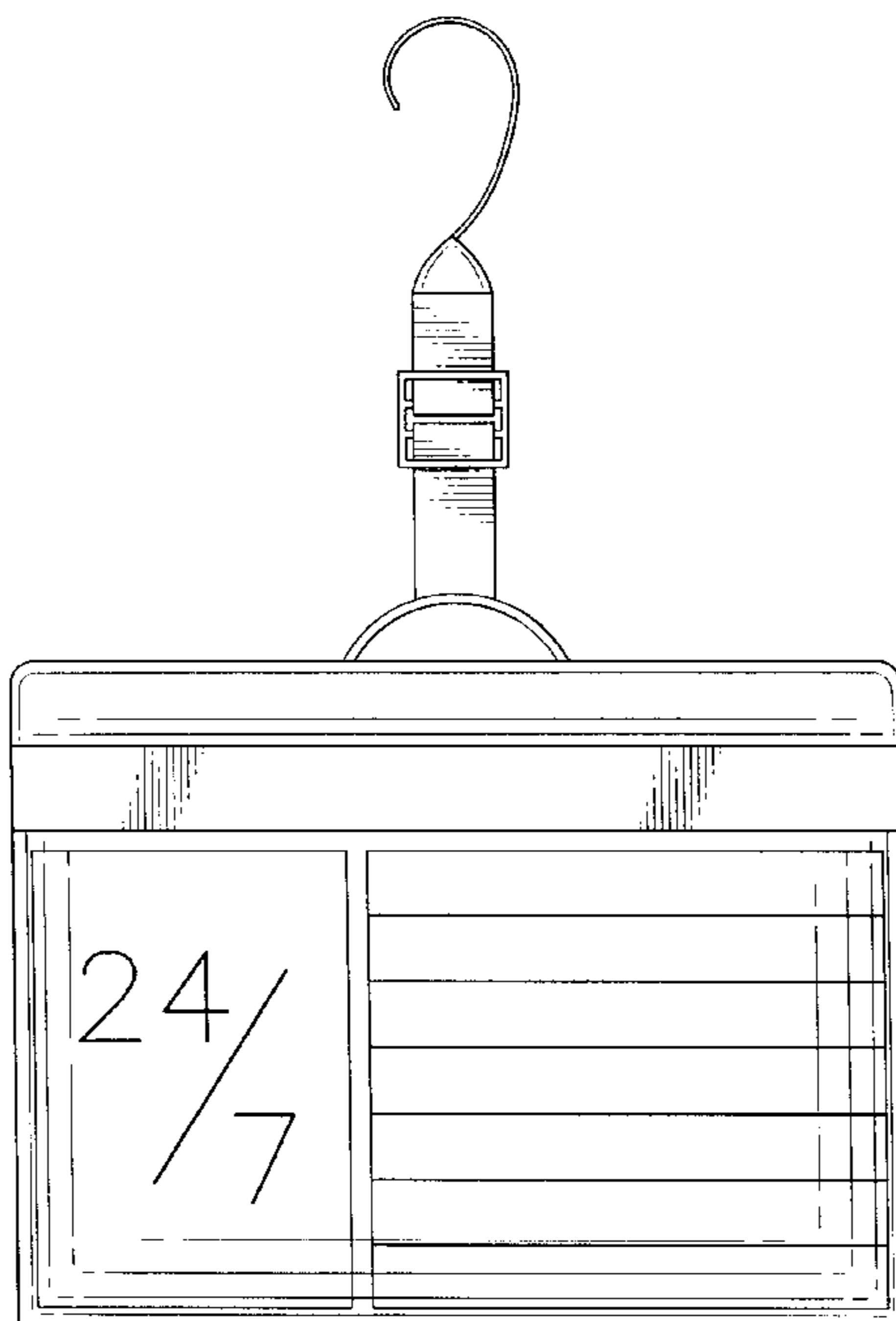


FIG. 5

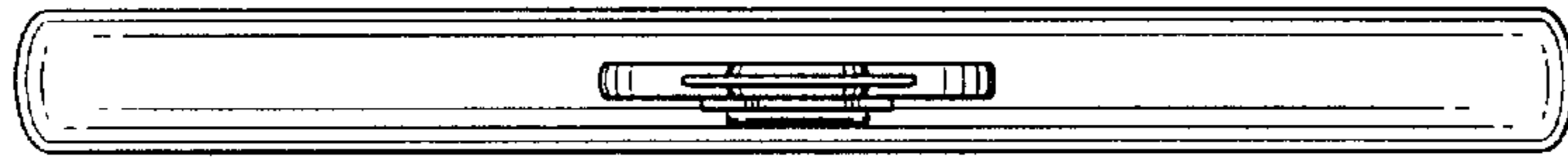


FIG. 3

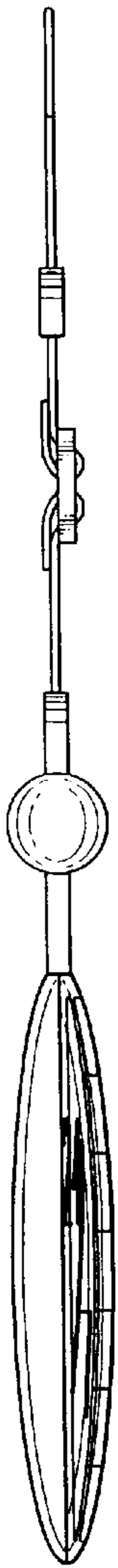


FIG. 1

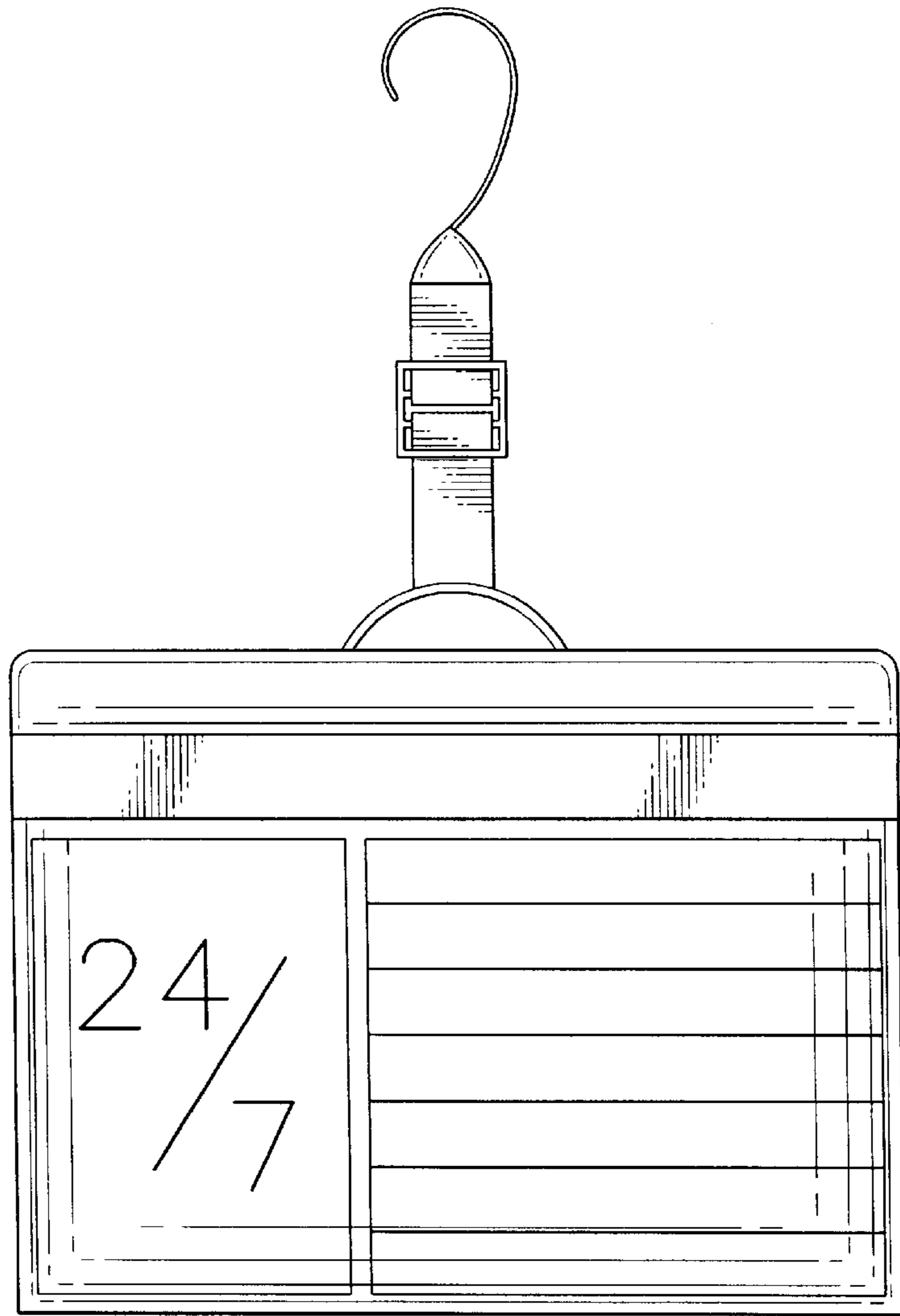


FIG. 4

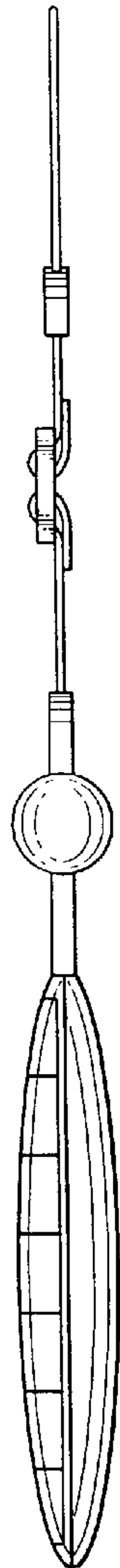


FIG. 6

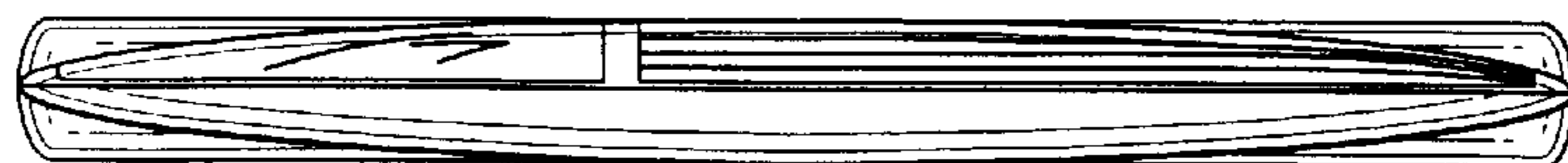


FIG. 2

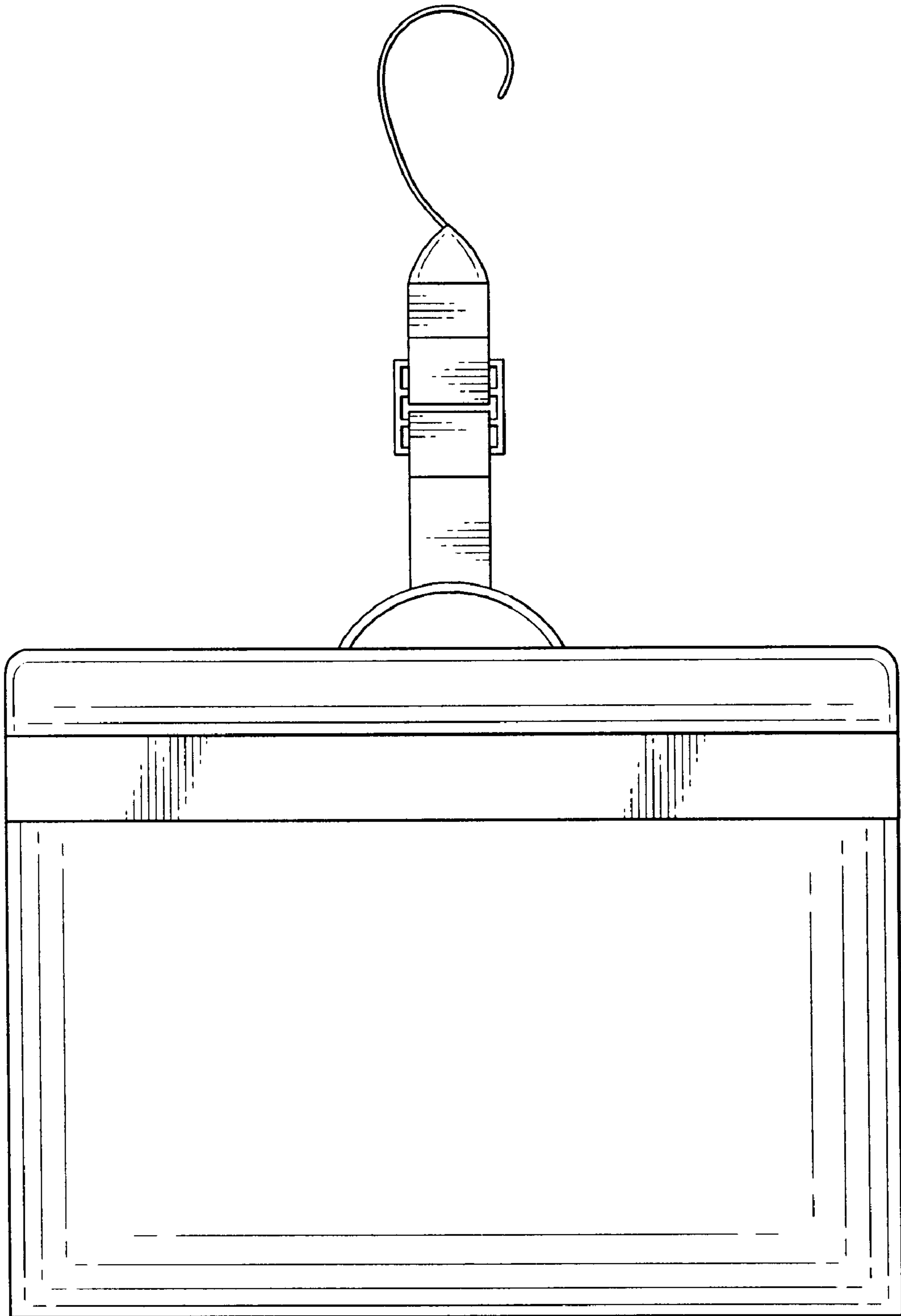


FIG. 11

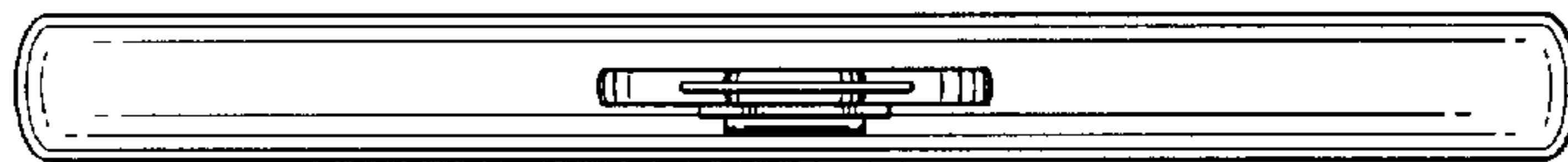


FIG. 9

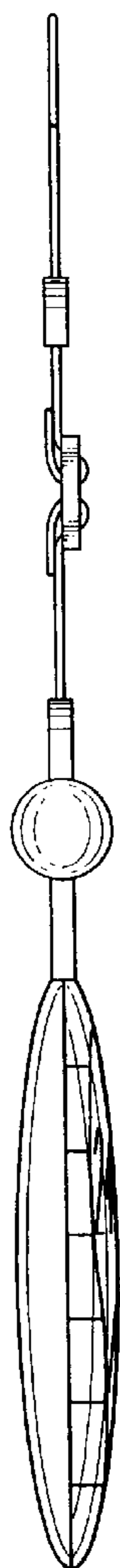


FIG. 7

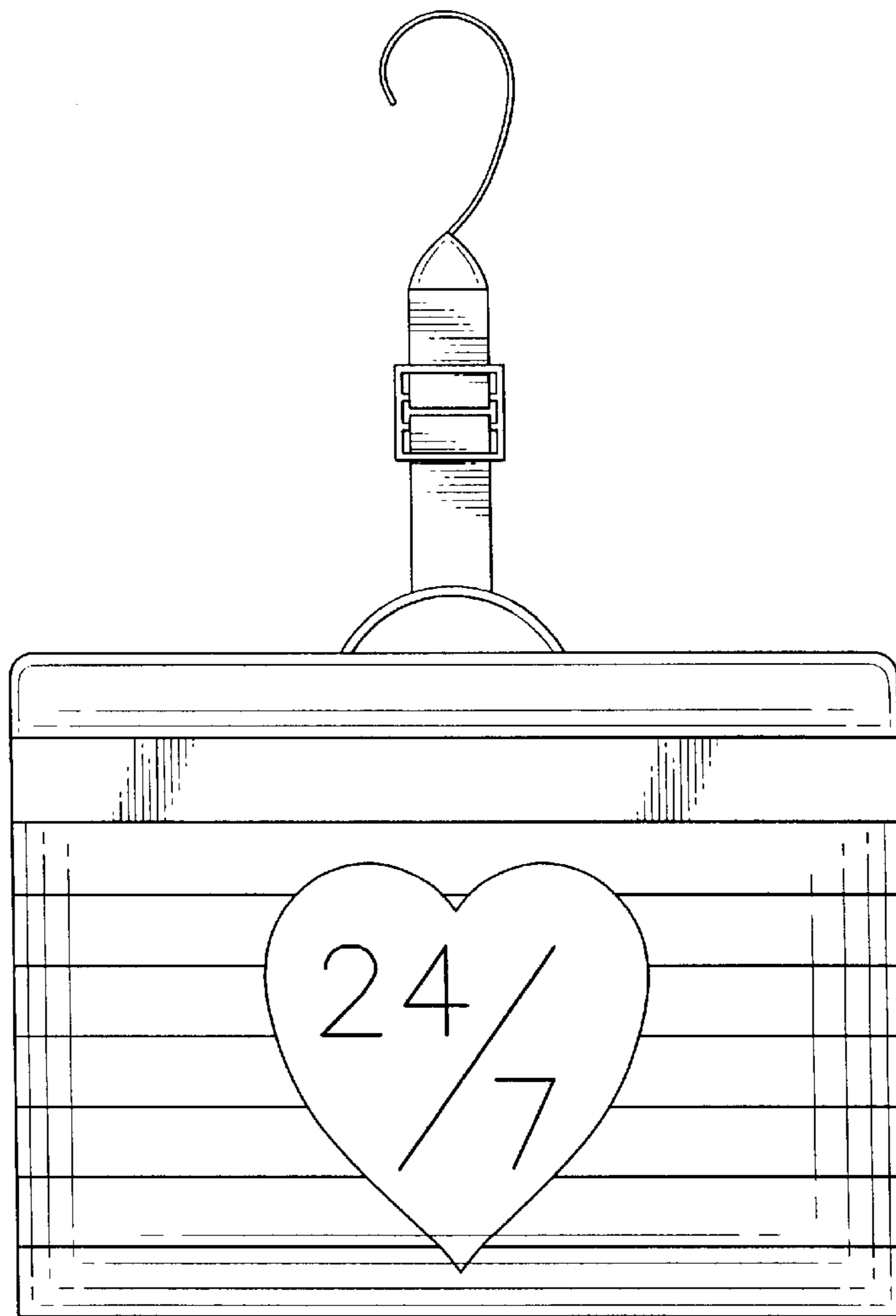


FIG. 10



FIG. 12

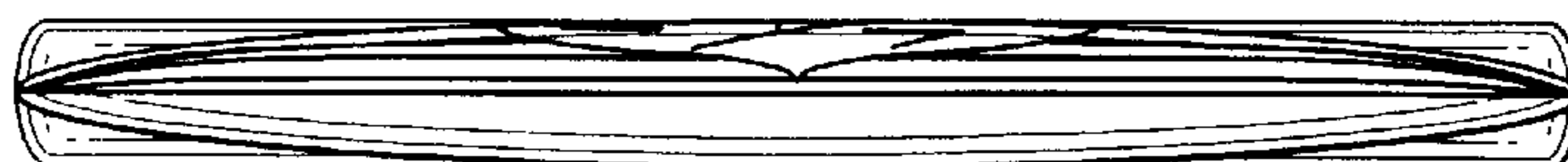


FIG. 8

