



US00D488759S

(12) **United States Design Patent**  
**Hattori et al.**

(10) **Patent No.:** **US D488,759 S**

(45) **Date of Patent:** **\*\* Apr. 20, 2004**

(54) **SIDE STEP BAR FOR AN AUTOMOBILE**

(75) Inventors: **Shigeya Hattori**, Aichi-ken (JP);  
**Koichiro Honda**, Aichi-ken (JP)  
(73) Assignee: **Toyota Jidosha Kabushiki Kaisha** (JP)  
(\*\*) Term: **14 Years**

(21) Appl. No.: **29/173,219**  
(22) Filed: **Dec. 23, 2002**

(51) **LOC (7) Cl.** ..... **12-16**  
(52) **U.S. Cl.** ..... **D12/203**  
(58) **Field of Search** ..... **D12/203, 190;**  
**280/163, 164.1, 153.5, 848; 182/90-92;**  
**D25/62, 69; 428/81-82; 238/14**

(56) **References Cited**

**U.S. PATENT DOCUMENTS**

D263,697 S	*	4/1982	Mathews	.....	D12/203
D278,329 S	*	4/1985	Baker et al.	.....	D12/203
D330,536 S	*	10/1992	Holloway et al.	.....	D12/203
D349,678 S	*	8/1994	Waddington	.....	D12/203
D351,128 S	*	10/1994	Waddington et al.	.....	D12/203
D395,268 S	*	6/1998	Tucker	.....	D12/203
D397,980 S	*	9/1998	Thompson	.....	D12/203
D434,711 S	*	12/2000	McQuiston	.....	D12/203
D436,336 S	*	1/2001	Sadr	.....	D12/203

**OTHER PUBLICATIONS**

2002 Toyota Sequoia, Brochure of Toyota: Get the Feeling.,  
2001, p. 29.  
2000 Toyota Hilux Surf, Brochure of Hilux Surf, Jul. 2000,  
p. 6.  
1999 Ford Explorer, Imported Cars Guide Bood 2000, Oct.  
20, 1999, p. 99.

\* cited by examiner

*Primary Examiner*—Stacia Cadmus  
(74) *Attorney, Agent, or Firm*—SAIDMAN DesignLaw  
Group

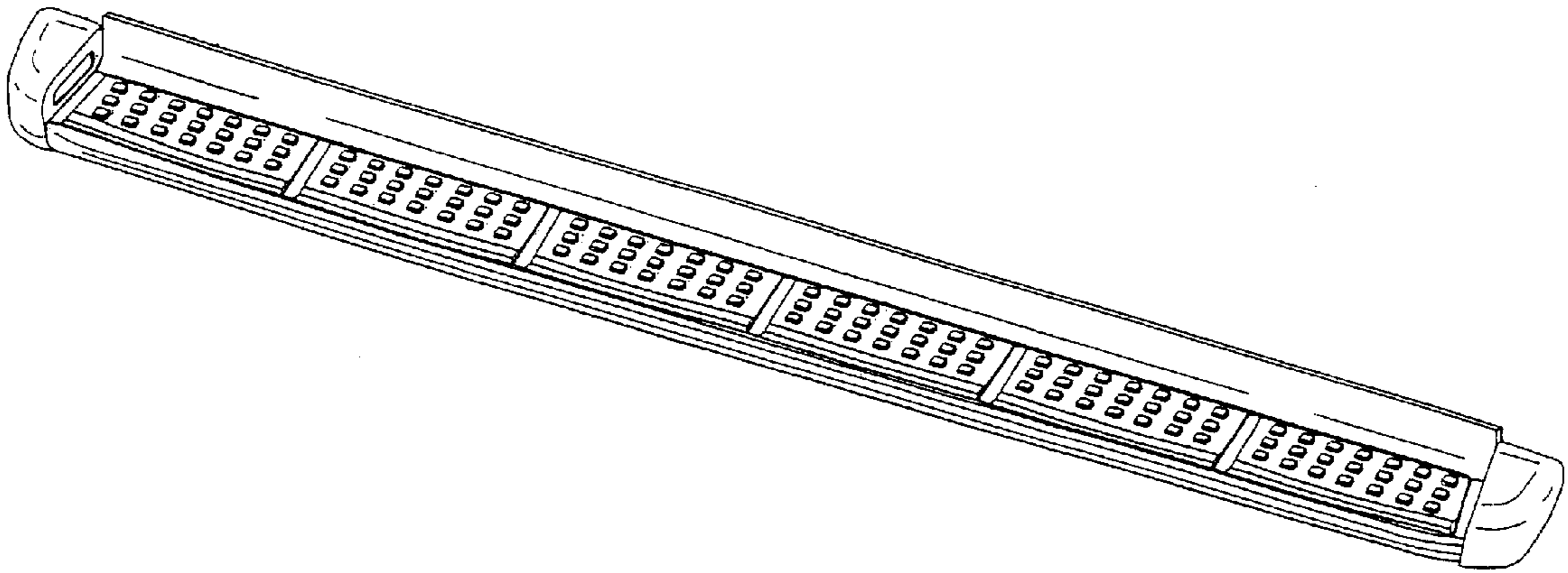
(57) **CLAIM**

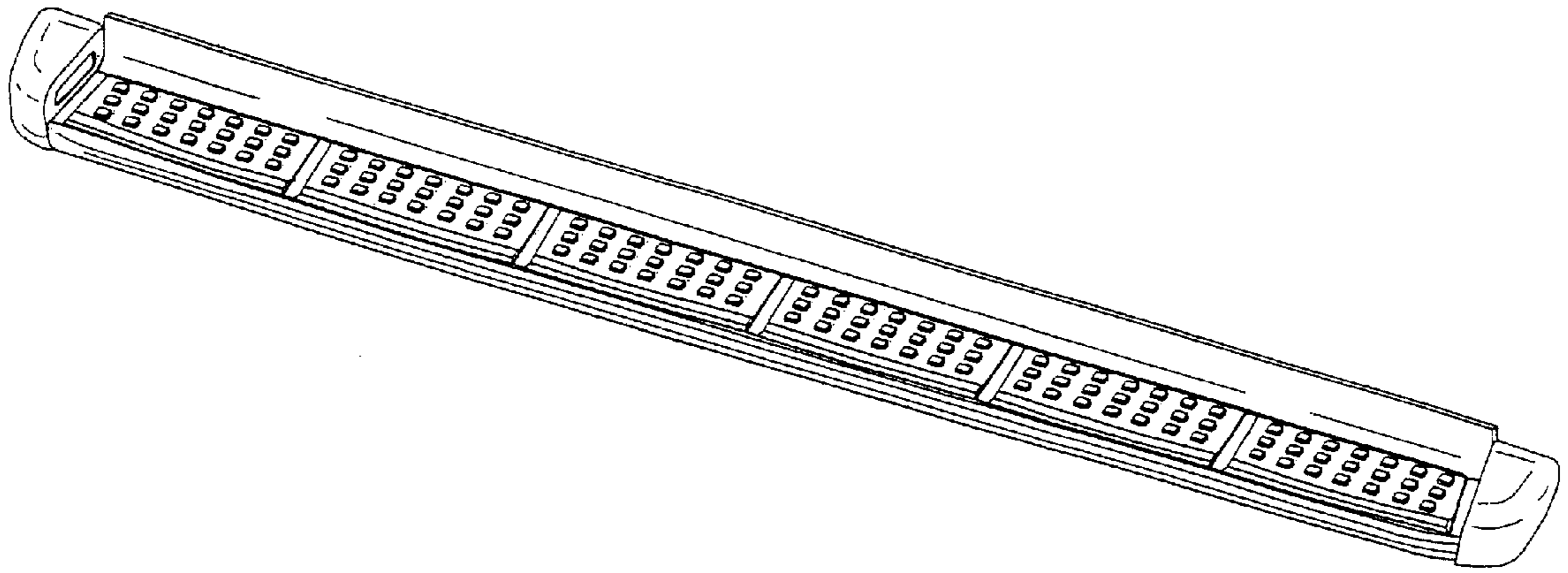
The ornamental design for a side step bar for an automobile,  
as shown and described.

**DESCRIPTION**

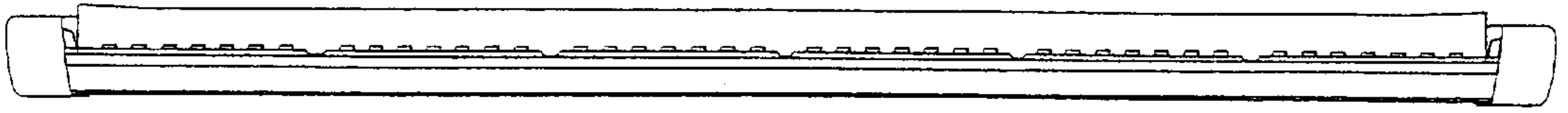
FIG. 1 is a perspective view of a side step bar for an  
automobile showing our new design;  
FIG. 2 is a front view thereof;  
FIG. 3 is a rear view thereof;  
FIG. 4 is a top view thereof;  
FIG. 5 is a bottom view thereof; and,  
FIG. 6 is a right side view thereof (the left side view being  
a mirror image).

**1 Claim, 4 Drawing Sheets**

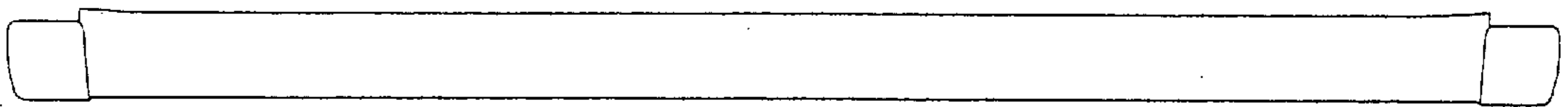




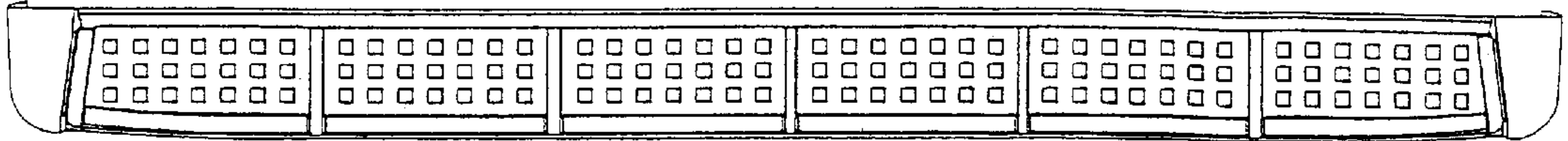
**FIG. 1**



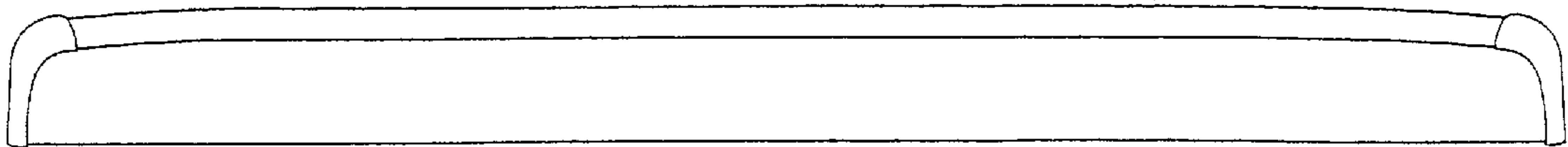
**FIG. 2**



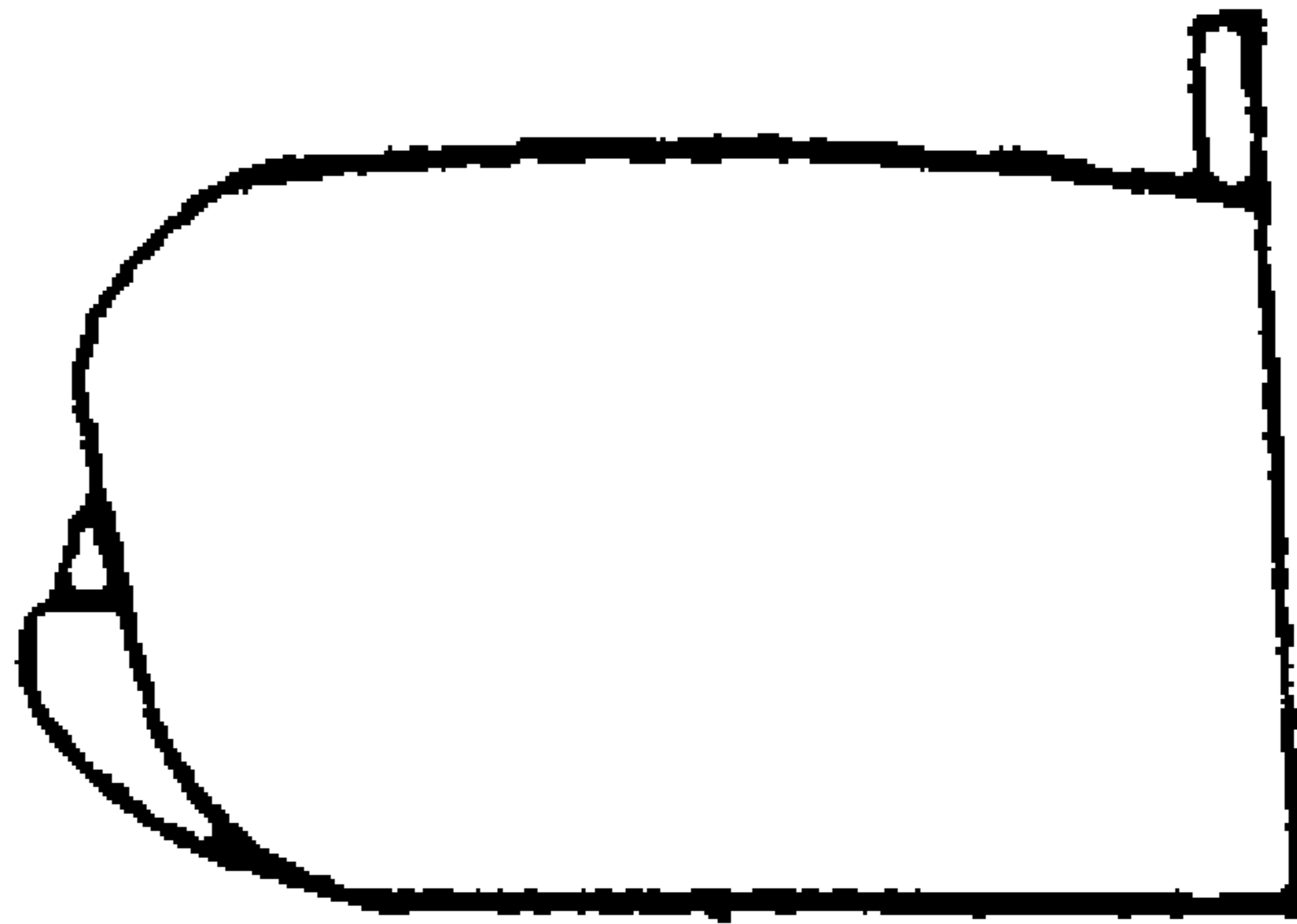
**FIG. 3**



**FIG. 4**



**FIG. 5**



**FIG. 6**