



US00D488758S

(12) **United States Design Patent**
Gough

(10) **Patent No.:** **US D488,758 S**

(45) **Date of Patent:** **** Apr. 20, 2004**

(54) **SUMP GUARD FOR A VEHICLE**

D477,257 S * 7/2003 Delgado D12/167

(76) Inventor: **Ian Gough**, Lime Croft, Church End,
Ansley, CV 10 0QR (GB)

* cited by examiner

(**) Term: **14 Years**

Primary Examiner—Melody N. Brown

(74) *Attorney, Agent, or Firm*—Nora M. Tocups, Esq.

(21) Appl. No.: **29/180,506**

(57) **CLAIM**

(22) Filed: **Apr. 24, 2003**

The ornamental design for a sump guard for a vehicle, as shown and described.

(51) **LOC (7) Cl.** **12-16**

DESCRIPTION

(52) **U.S. Cl.** **D12/196**

(58) **Field of Search** D12/196, 190,
D12/167, 223, 400, 90-92; 296/196, 197,
181, 185; 180/89.1, 89.11, 89.12, 59.14,
89.16; D15/4

FIG. 1 is a perspective view from the bottom of a sump guard for a vehicle.

FIG. 2 is a perspective view from the top of a sump guard for a vehicle.

FIG. 3 is a plan view from the top of a sump guard for a vehicle.

FIG. 4 is a plan view from the bottom of a sump guard for a vehicle.

FIG. 5 is a front view of a sump guard for a vehicle.

FIG. 6 is a rear view of a sump guard for a vehicle.

FIG. 7 is a right side view of a sump guard for a vehicle; and,

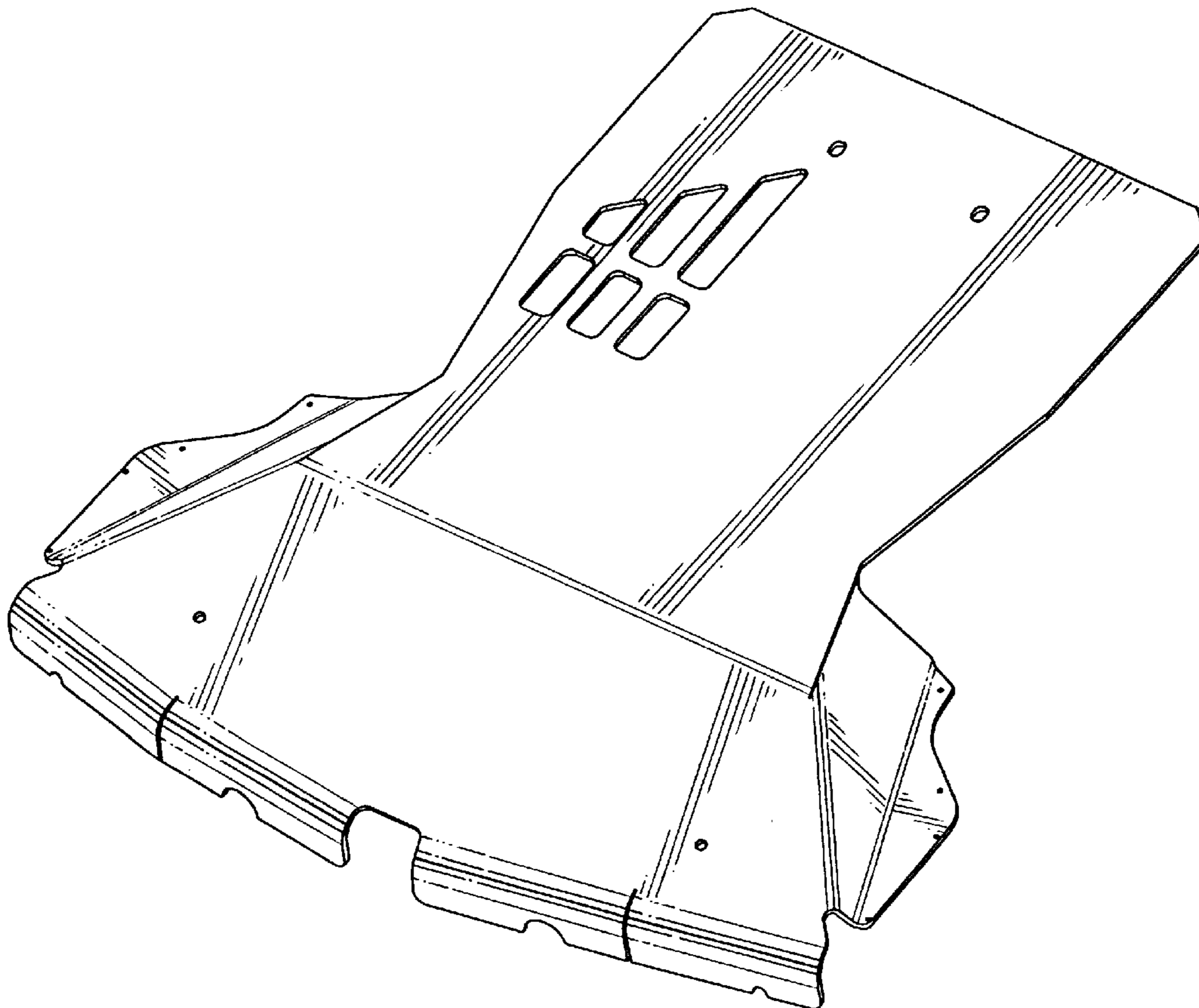
FIG. 8 is a left side view of a sump guard for a vehicle.

(56) **References Cited**

U.S. PATENT DOCUMENTS

D375,101 S	*	10/1996	Icenogle	D15/4
D449,838 S	*	10/2001	Rothlisberger	D15/4
D449,839 S	*	10/2001	Rothlisberger	D15/4
D473,504 S	*	4/2003	Harbin	D12/196
D474,726 S	*	5/2003	Weber et al.	D12/196
D476,927 S	*	7/2003	Delgado	D12/167
D476,934 S	*	7/2003	Murkett	D12/196

1 Claim, 3 Drawing Sheets



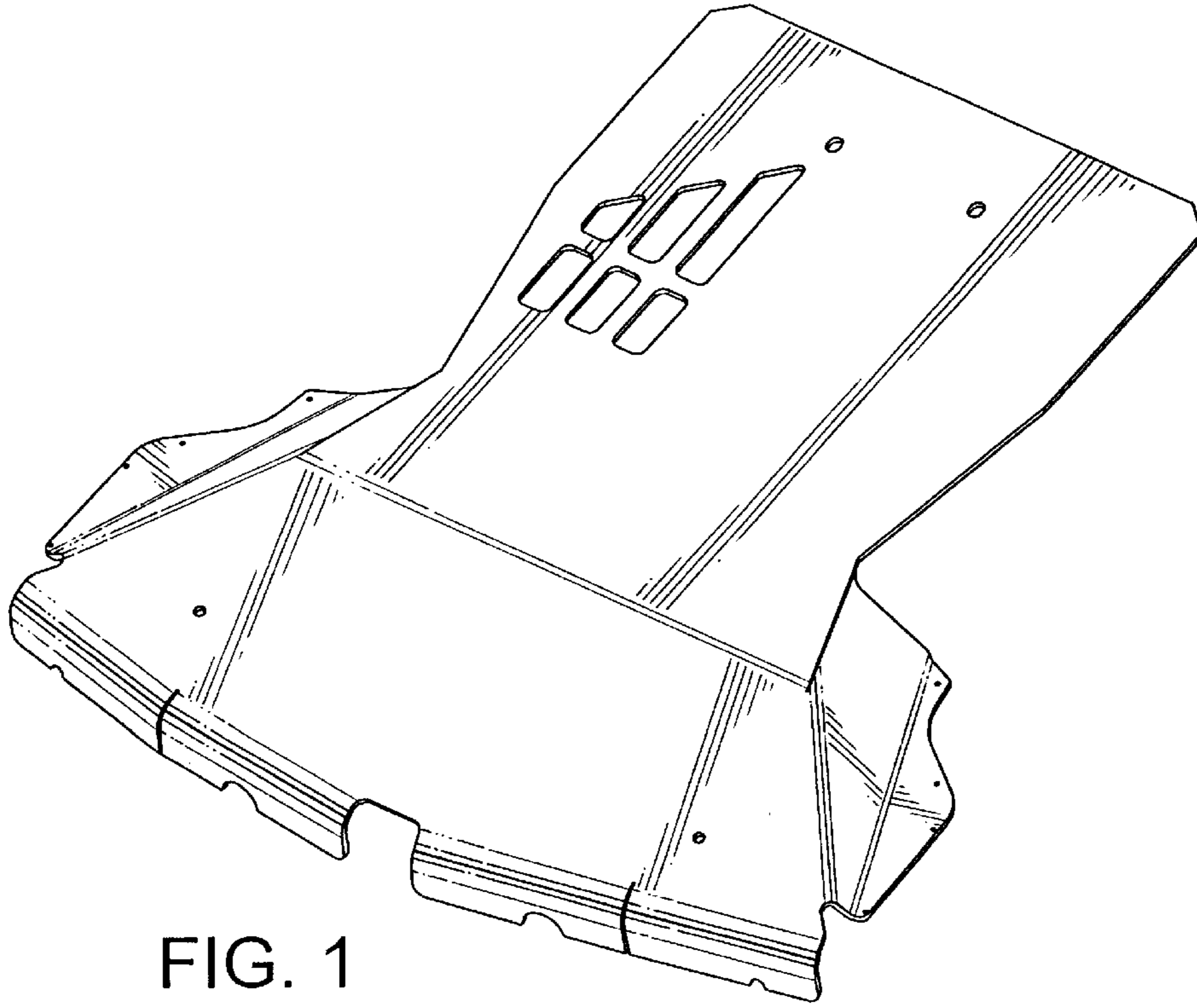


FIG. 1

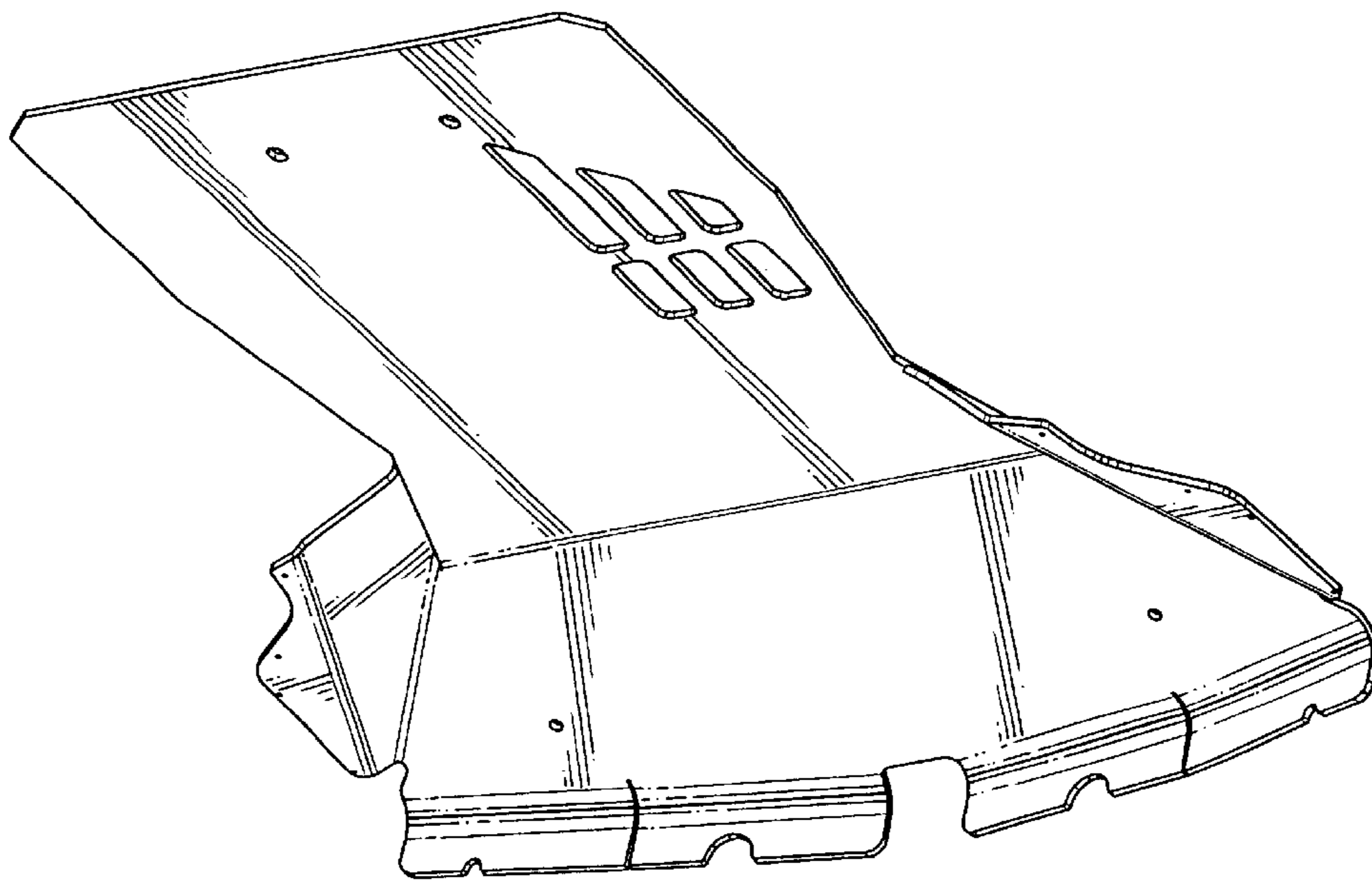


FIG. 2

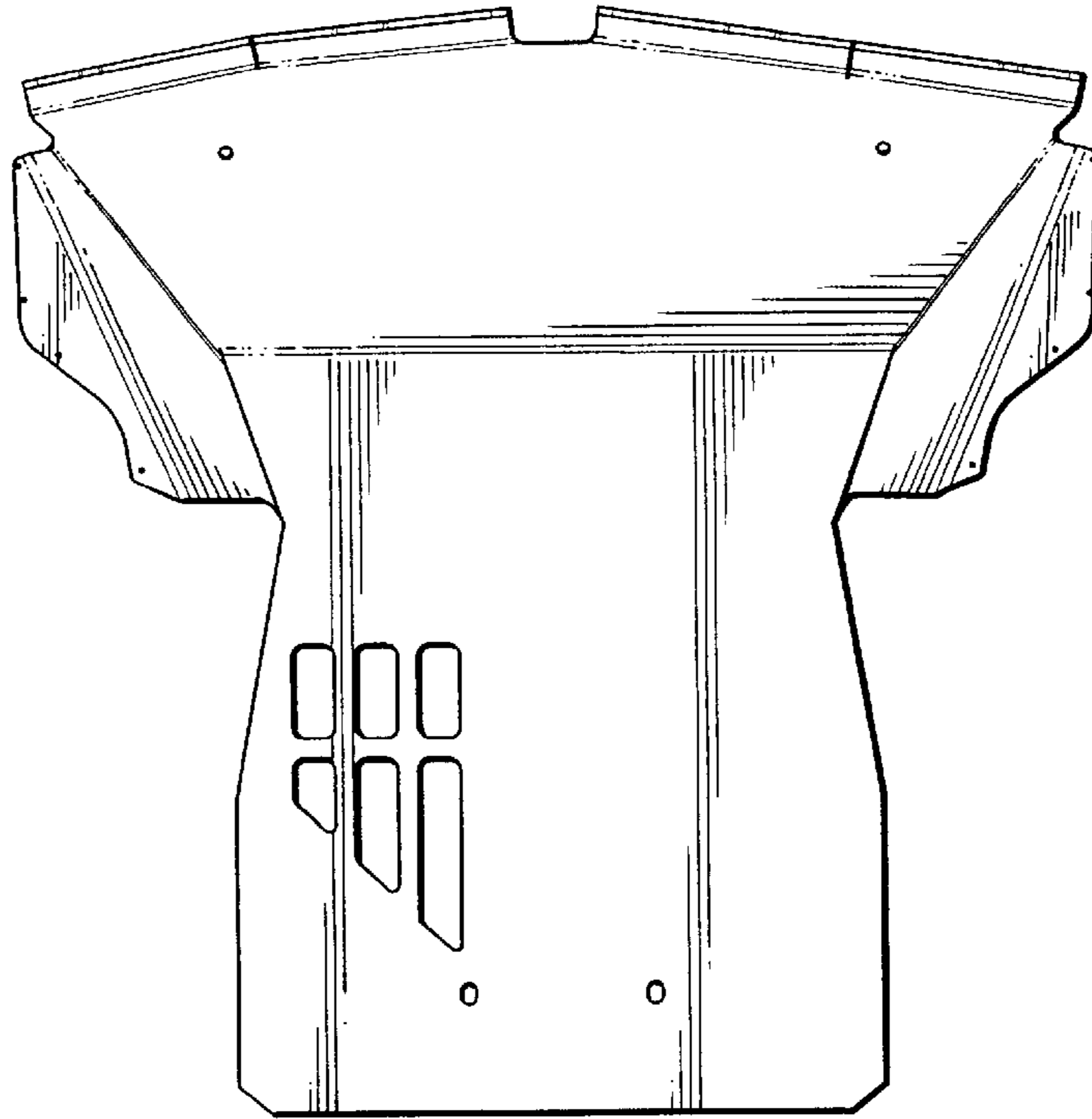


FIG. 3

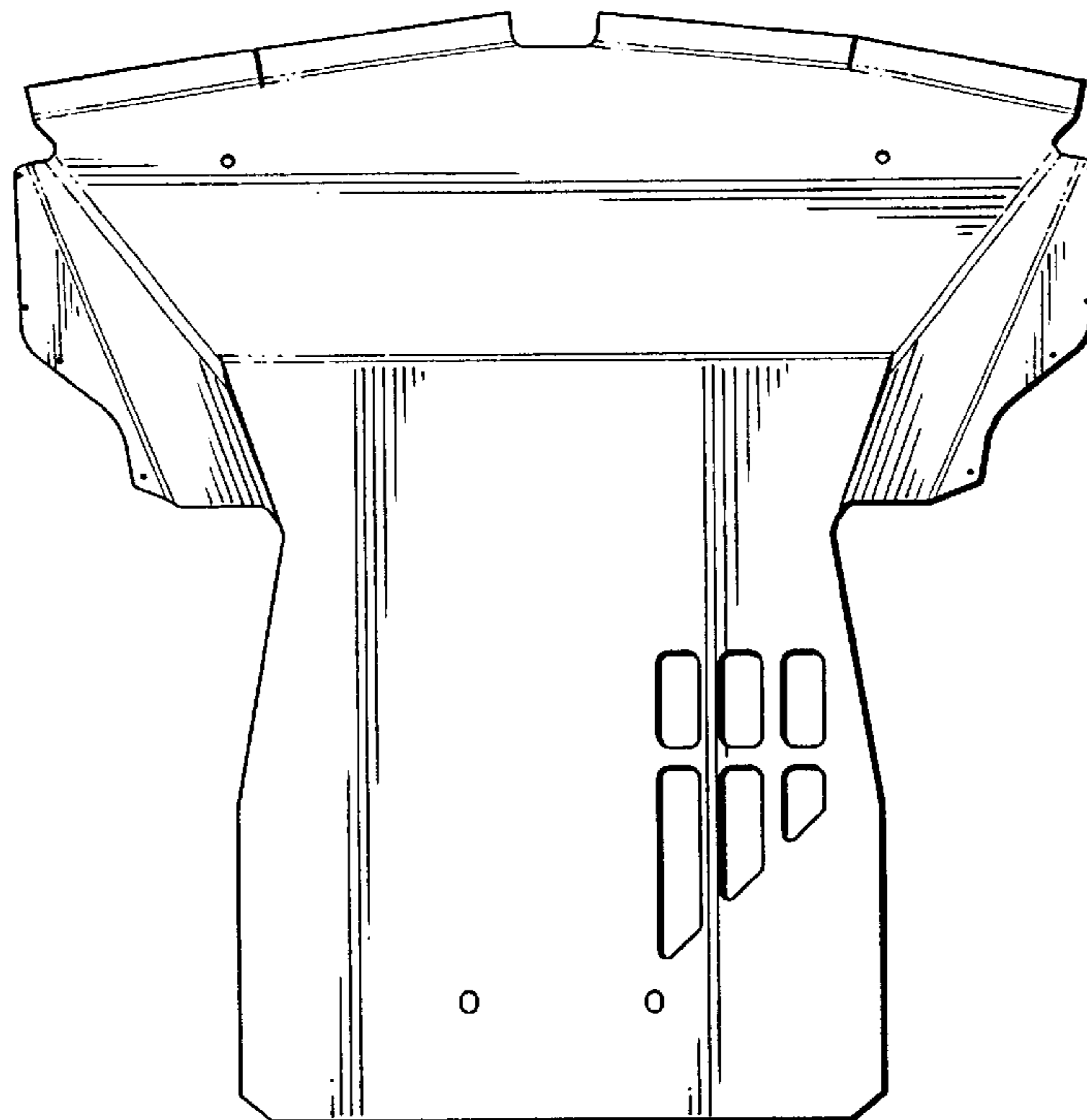


FIG. 4

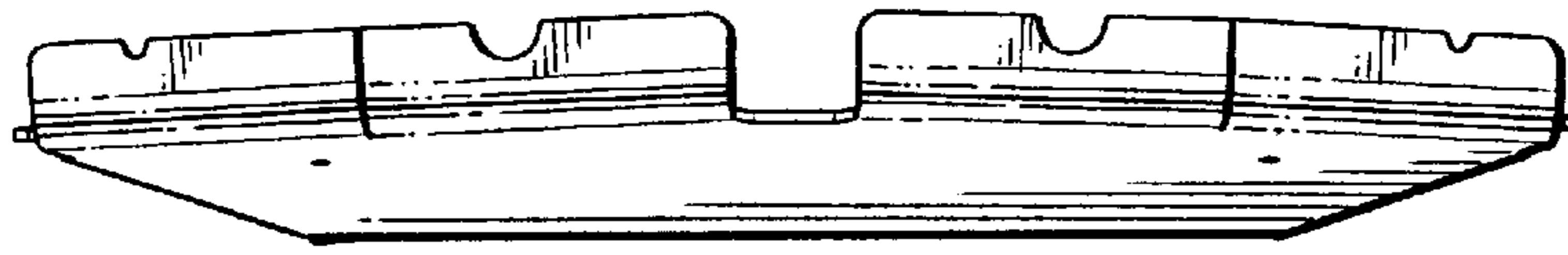


FIG. 5

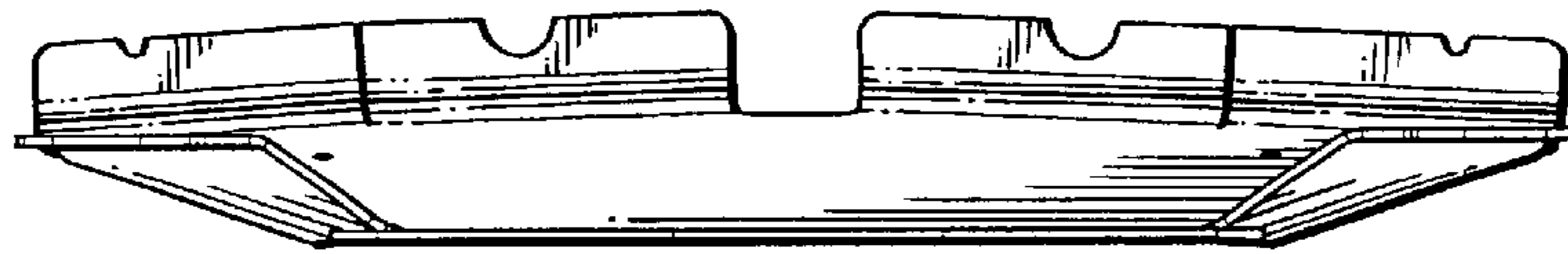


FIG. 6



FIG. 7

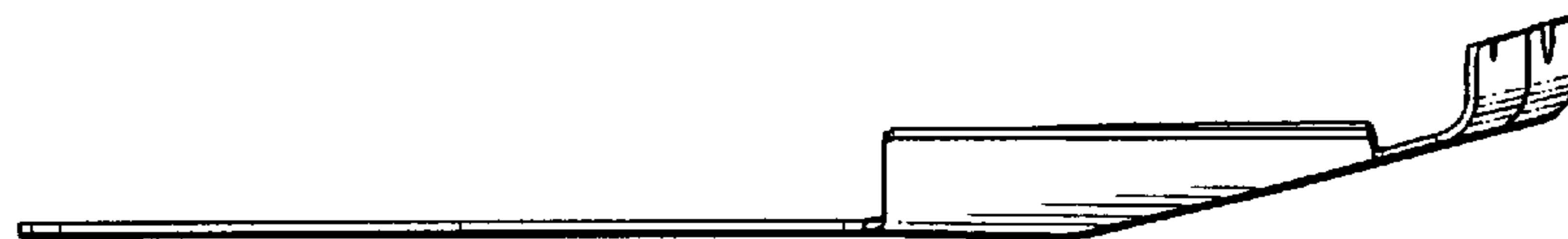


FIG. 8