



US00D488757S

(12) **United States Design Patent**  
**Gough**

(10) **Patent No.:** **US D488,757 S**

(45) **Date of Patent:** **\*\* Apr. 20, 2004**

(54) **FUEL TANK GUARD**

D477,257 S \* 7/2003 Delgado ..... D12/167

(76) Inventor: **Ian Gough**, Lime Croft, Church End,  
Ansley, CV 10 0QR (GB)

\* cited by examiner

(\*\*) Term: **14 Years**

*Primary Examiner*—Melody N. Brown  
(74) *Attorney, Agent, or Firm*—Nora M. Tocups, Esq.

(21) Appl. No.: **29/180,505**

(57) **CLAIM**

(22) Filed: **Apr. 24, 2003**

The ornamental design for a fuel tank guard, as shown and described.

(51) **LOC (7) Cl.** ..... **12-16**

**DESCRIPTION**

(52) **U.S. Cl.** ..... **D12/196**

(58) **Field of Search** ..... D12/196, 190,  
D12/400, 223, 167, 90-92; 296/196, 197,  
181, 185; 180/89.1, 89.11, 89.12, 89.14,  
89.16; D15/4

FIG. 1 is a perspective view from the bottom of a fuel tank guard for a vehicle.

FIG. 2 is a perspective view from the top of a fuel tank guard for a vehicle.

FIG. 3 is a plan view from the bottom of a fuel tank guard for a vehicle.

FIG. 4 is a plan view from the top of a fuel tank guard for a vehicle.

FIG. 5 is a rear view of a fuel tank guard for a vehicle.

FIG. 6 is a front view of a fuel tank guard for a vehicle.

FIG. 7 is a right side view of a fuel tank guard for a vehicle; and,

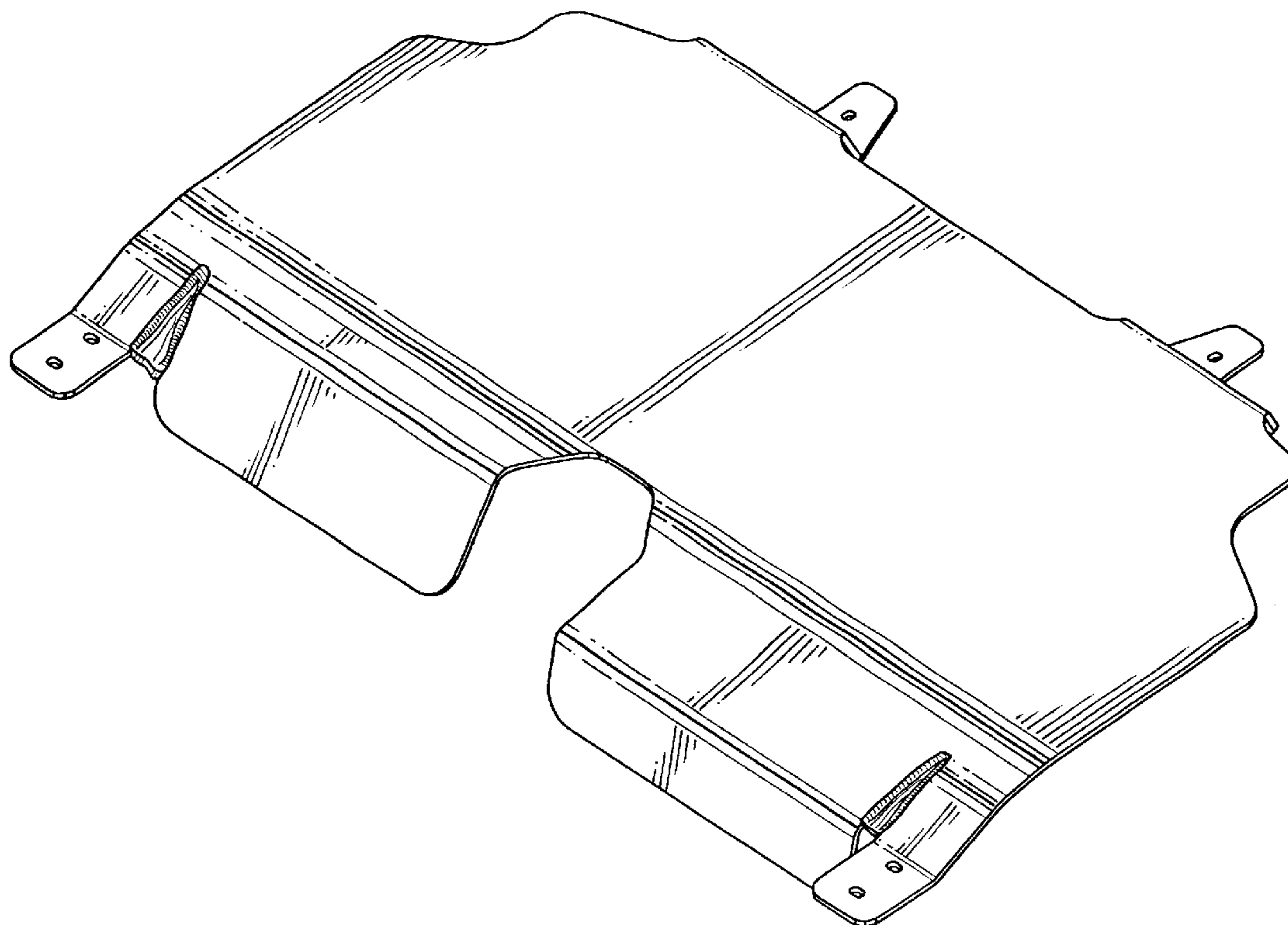
FIG. 8 is a left side view of a fuel tank guard for a vehicle.

(56) **References Cited**

**U.S. PATENT DOCUMENTS**

|            |   |         |               |       |         |
|------------|---|---------|---------------|-------|---------|
| D375,101 S | * | 10/1996 | Icenogle      | ..... | D15/4   |
| D449,838 S | * | 10/2001 | Rothlisberger | ..... | D15/4   |
| D449,839 S | * | 10/2001 | Rothlisberger | ..... | D15/4   |
| D473,504 S | * | 4/2003  | Harbin        | ..... | D12/196 |
| D474,726 S | * | 5/2003  | Weber et al.  | ..... | D12/196 |
| D476,927 S | * | 7/2003  | Delgado       | ..... | D12/167 |
| D476,934 S | * | 7/2003  | Murkett       | ..... | D12/196 |

**1 Claim, 3 Drawing Sheets**



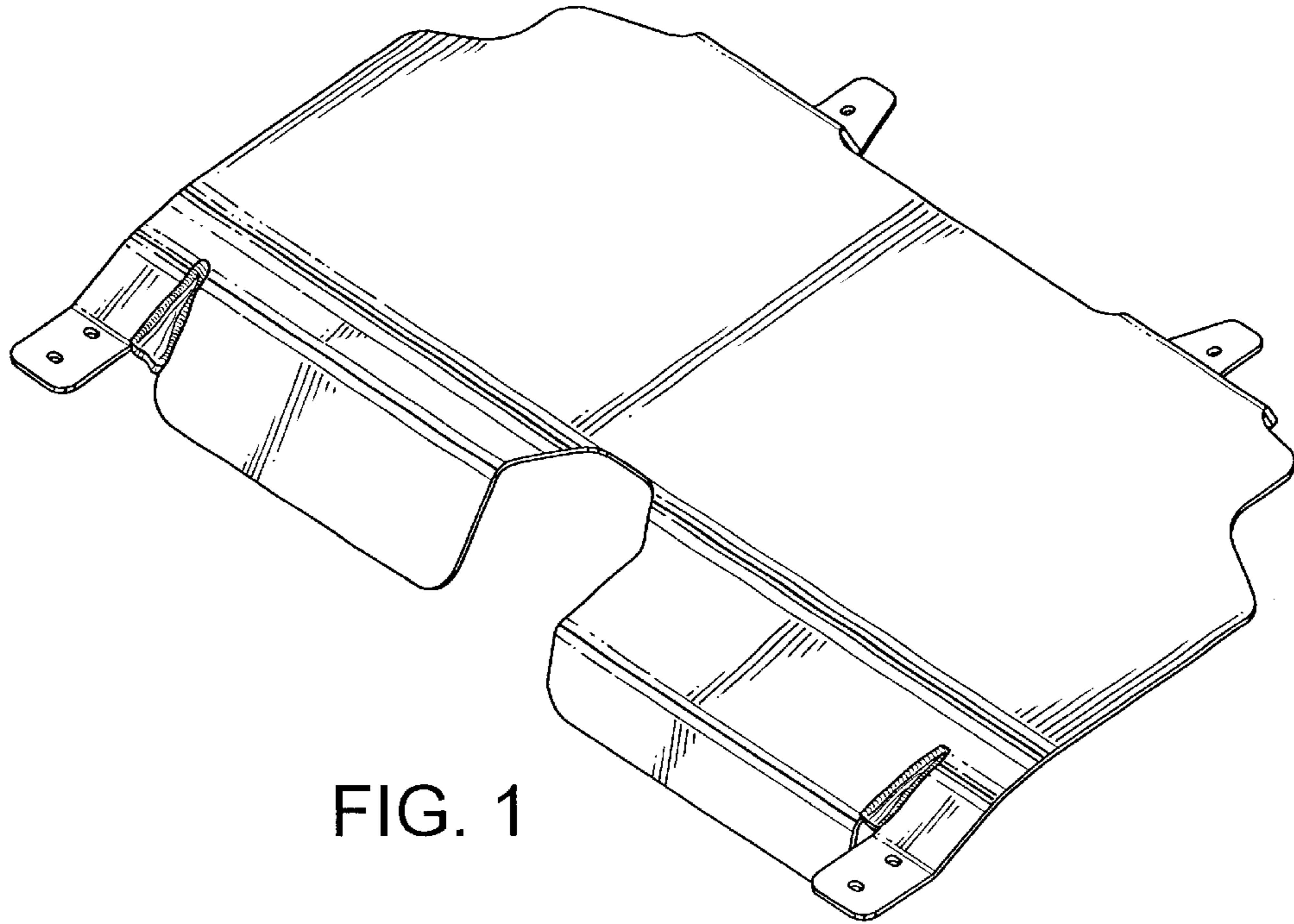


FIG. 1

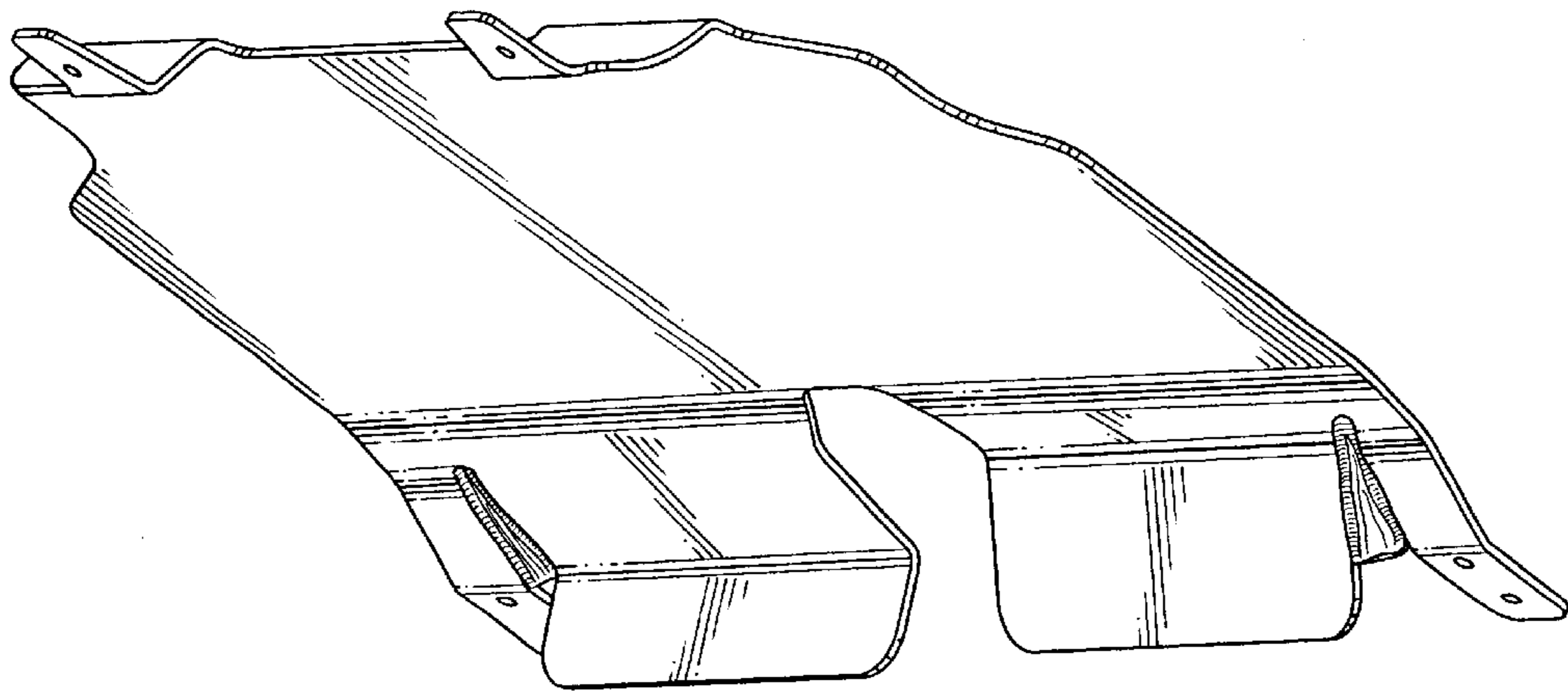


FIG. 2

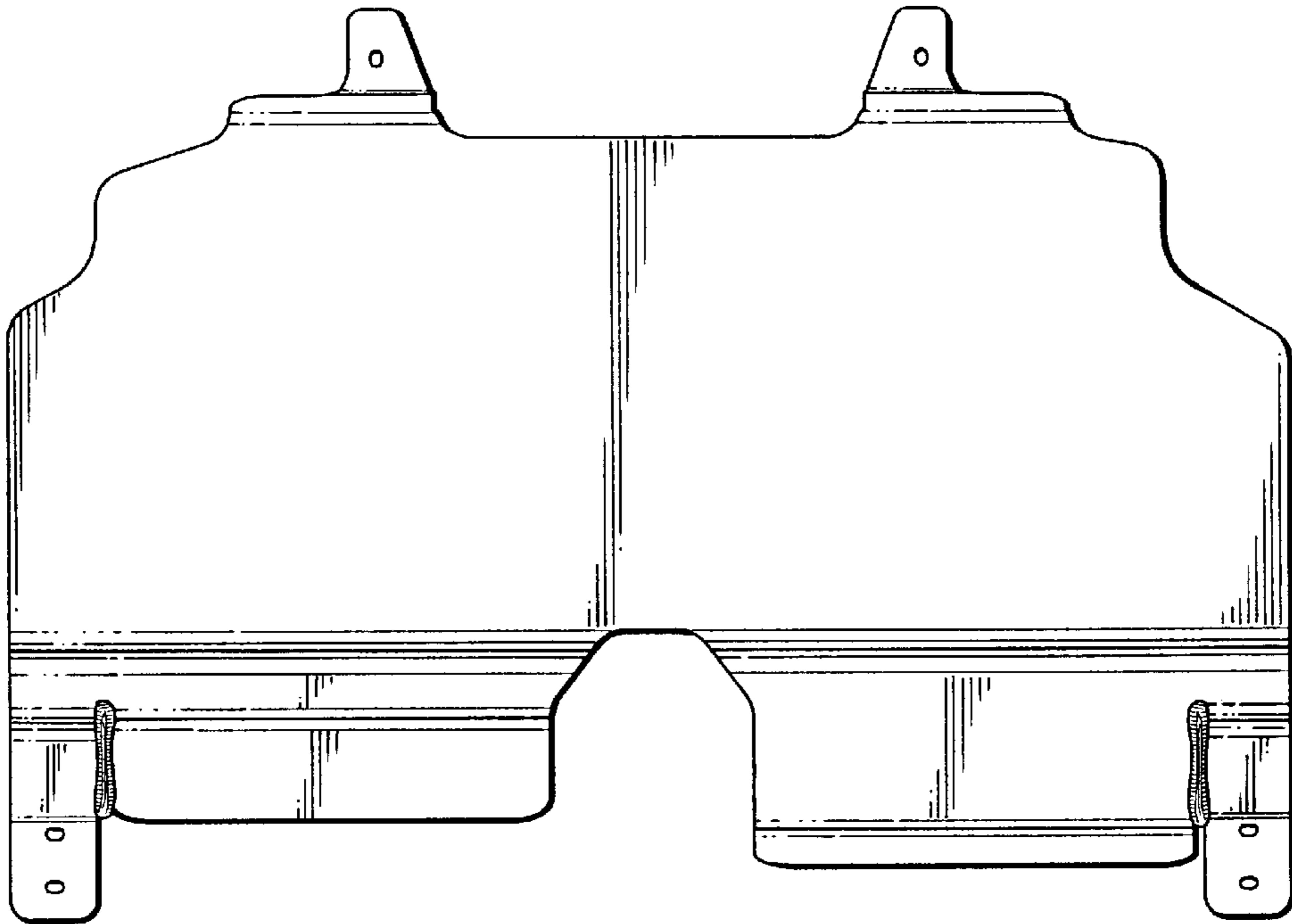


FIG. 3

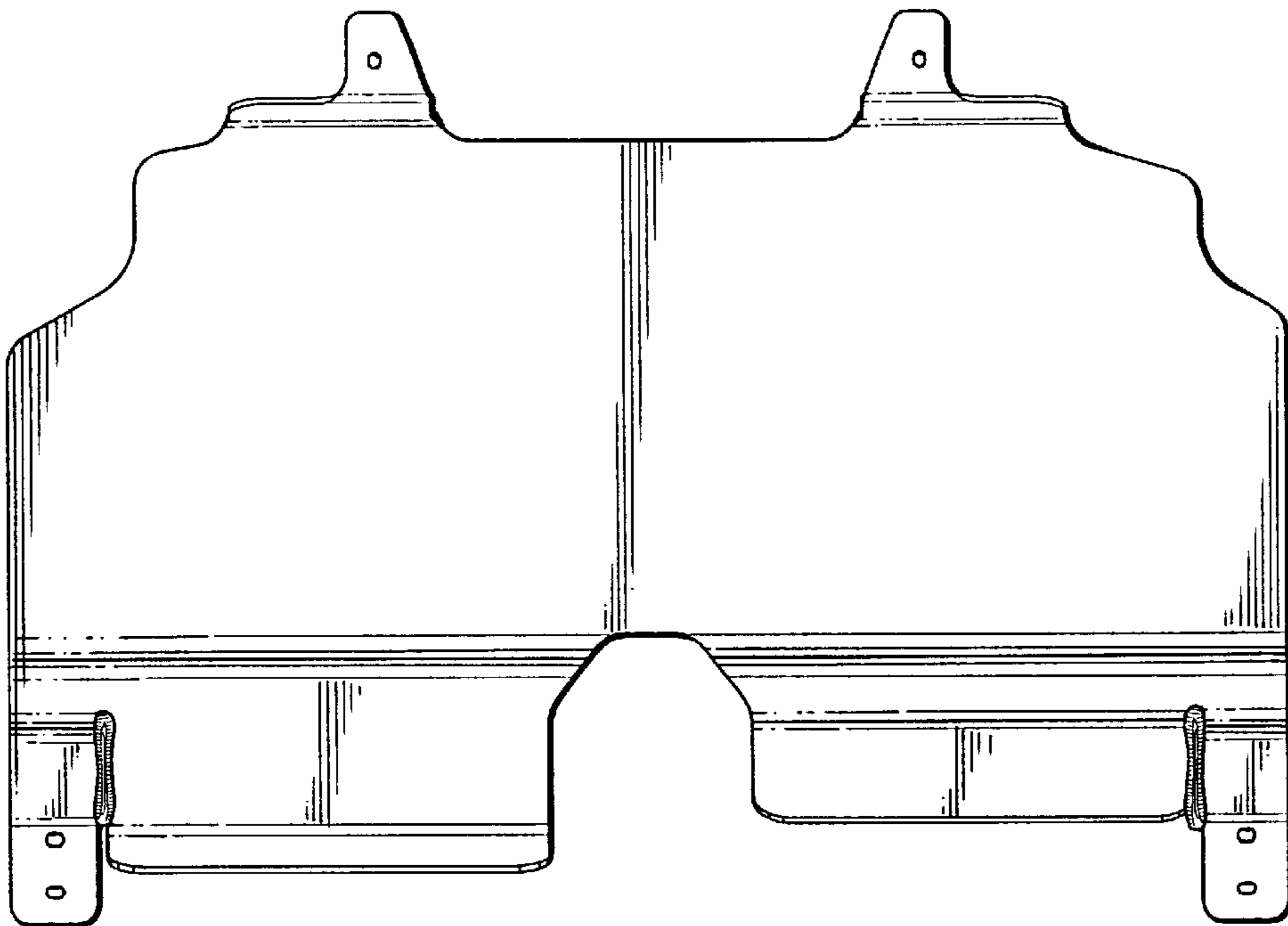


FIG. 4

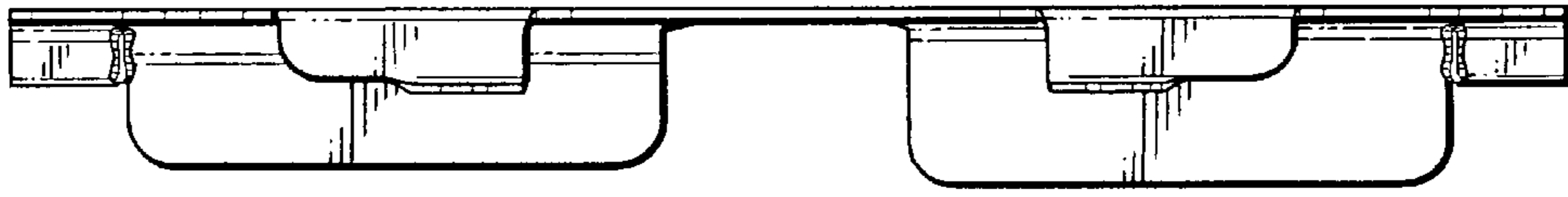


FIG. 5

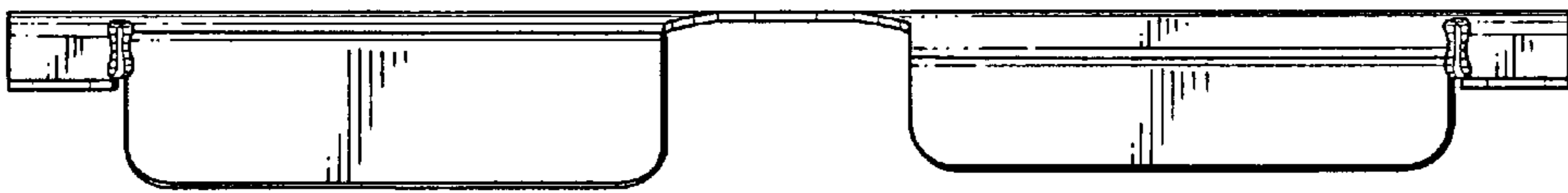


FIG. 6

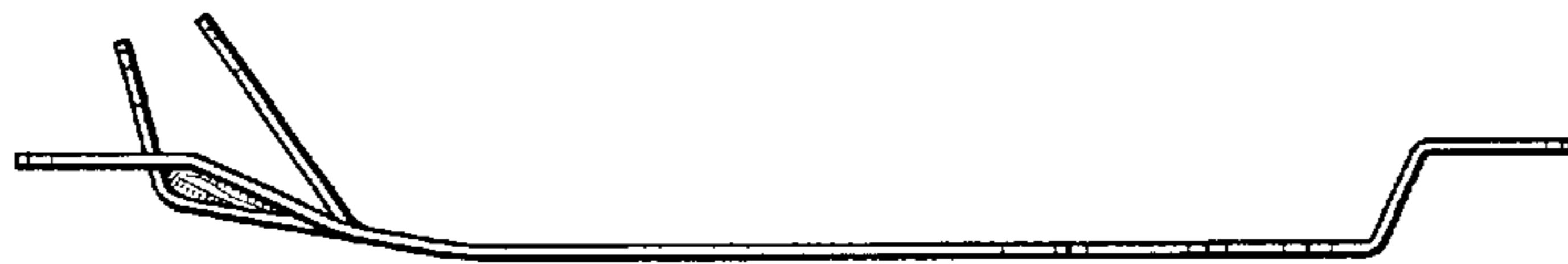


FIG. 7



FIG. 8