



US00D488754S

(12) **United States Design Patent**
Spencer

(10) **Patent No.:** **US D488,754 S**

(45) **Date of Patent:** **** Apr. 20, 2004**

(54) **LICENSE PLATE FRAME**

D464,299 S * 10/2002 Ohm et al. D12/193

(76) Inventor: **Paul E. Spencer**, 19475 Beacon Lite Rd., Monument, CO (US) 80132

* cited by examiner

(**) Term: **14 Years**

Primary Examiner—Stacia Cadmus

(74) *Attorney, Agent, or Firm*—Timothy Thut Tyson; Ted Masters; Freilich, Hornbaker & Rosen

(21) Appl. No.: **29/153,656**

(57) **CLAIM**

(22) Filed: **Jan. 14, 2002**

The ornamental design for a license plate frame, as shown and described.

(51) **LOC (7) Cl.** **12-16**

DESCRIPTION

(52) **U.S. Cl.** **D12/193**

(58) **Field of Search** D12/193; D6/300–303, D6/310–314; 40/200–203, 207, 216

FIG. 1 is a front elevation view of a license plate frame showing my new design;

FIG. 2 is a top plan view thereof;

FIG. 3 is a bottom plan view thereof;

FIG. 4 is a left side elevation view thereof;

FIG. 5 is a right side elevation view thereof;

FIG. 6 is a rear elevation view thereof;

FIG. 7 is an enlarged sectional view along the line 7—7 of FIG. 1;

FIG. 8 is an enlarged sectional view along the line 8—8 of FIG. 1;

FIG. 9 is an enlarged sectional view along the line 9—9 of FIG. 1; and,

FIG. 10 is a top, front, left side perspective view thereof.

(56) **References Cited**

U.S. PATENT DOCUMENTS

1,536,414 A	*	5/1925	Watts	D12/193	X
D327,047 S	*	6/1992	Corey	D12/193	
D348,643 S	*	7/1994	Nagata	D12/193	
D359,262 S	*	6/1995	Shusterman	D12/193	
D368,693 S	*	4/1996	Spencer	D12/193	
D384,628 S	*	10/1997	Lake	D12/193	
D411,155 S	*	6/1999	Hartmann et al.	D12/193	
D416,527 S	*	11/1999	Steinhagen	D12/193	
D437,815 S	*	2/2001	Lyon	D12/193	
D437,816 S	*	2/2001	Hussaini et al.	D12/193	
D455,106 S	*	4/2002	Yang	D12/193	

1 Claim, 3 Drawing Sheets

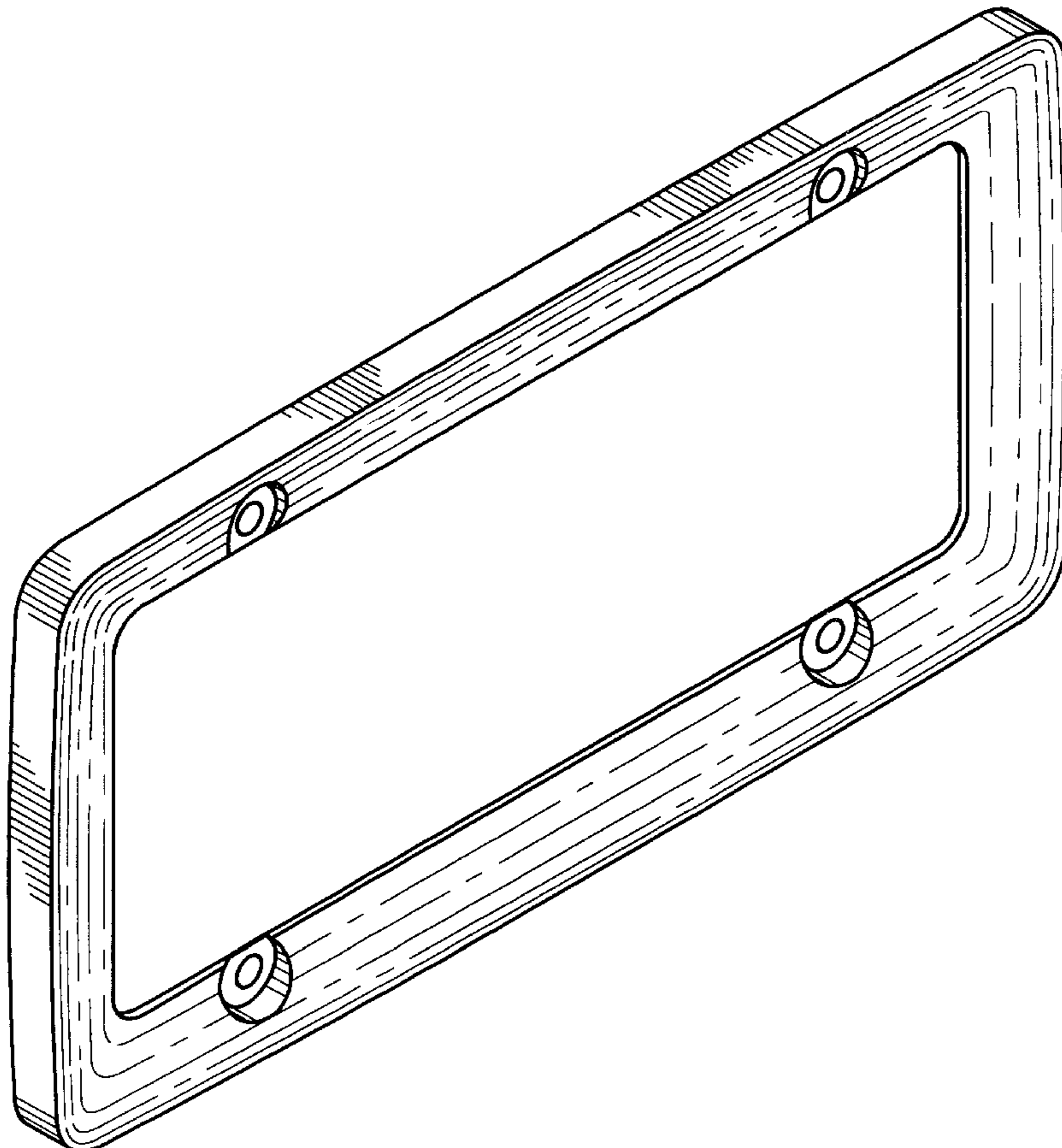


FIG-3

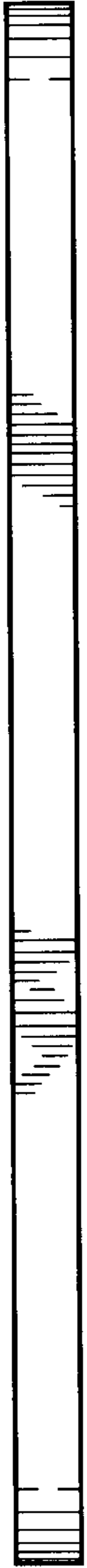


FIG-1

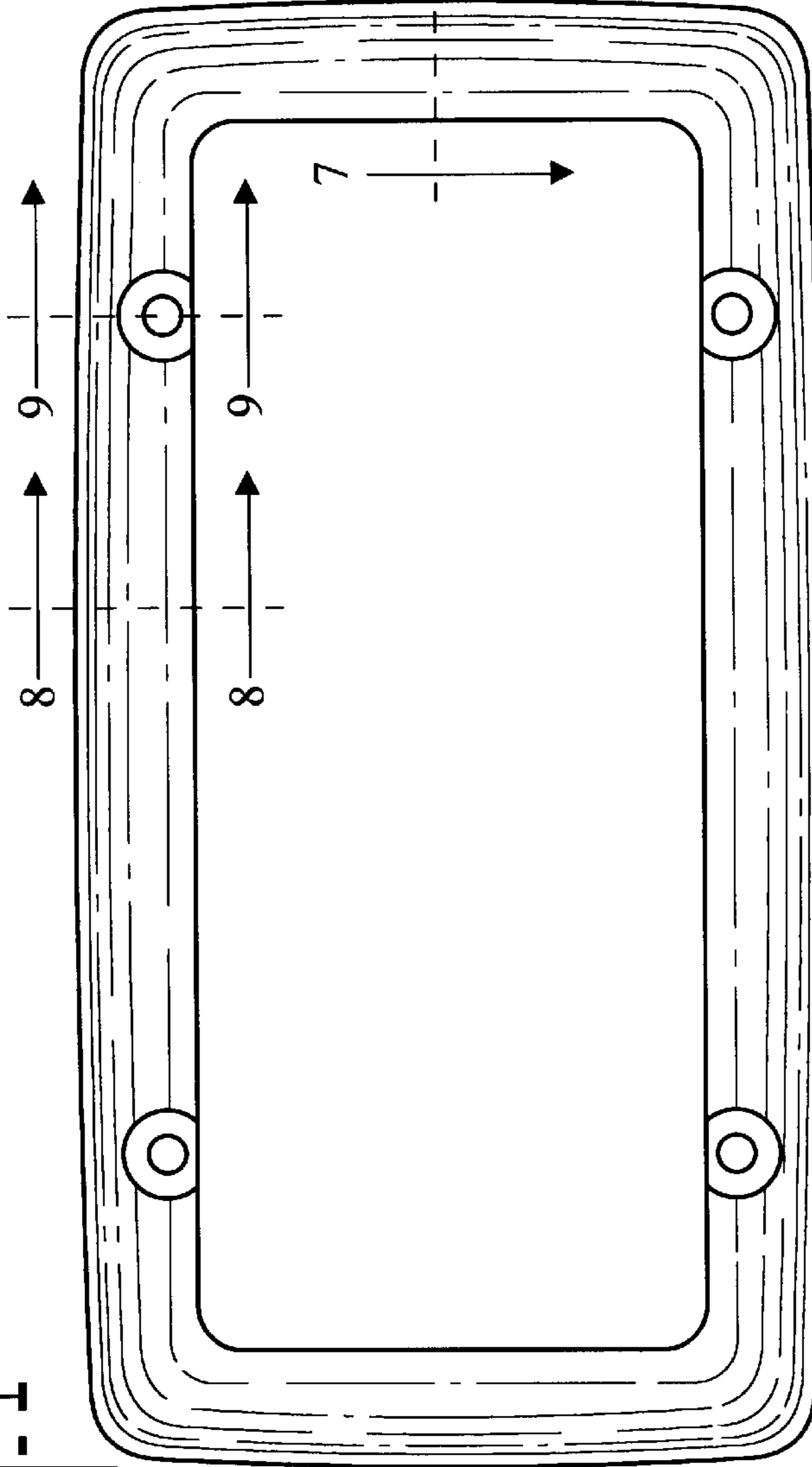


FIG-5



FIG-4



FIG-2



Fig. 6

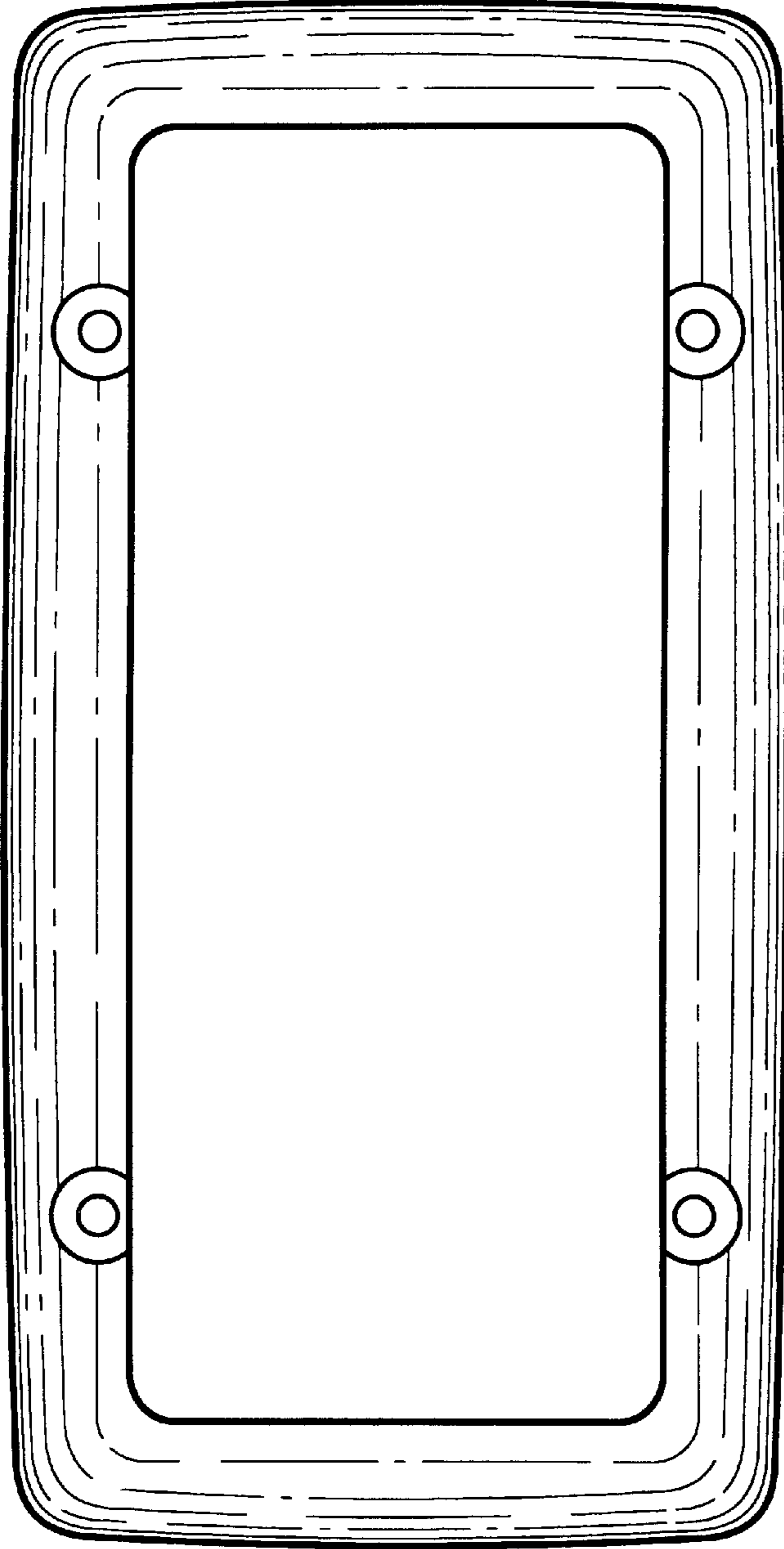


Fig. 7



Fig. 8



Fig. 9



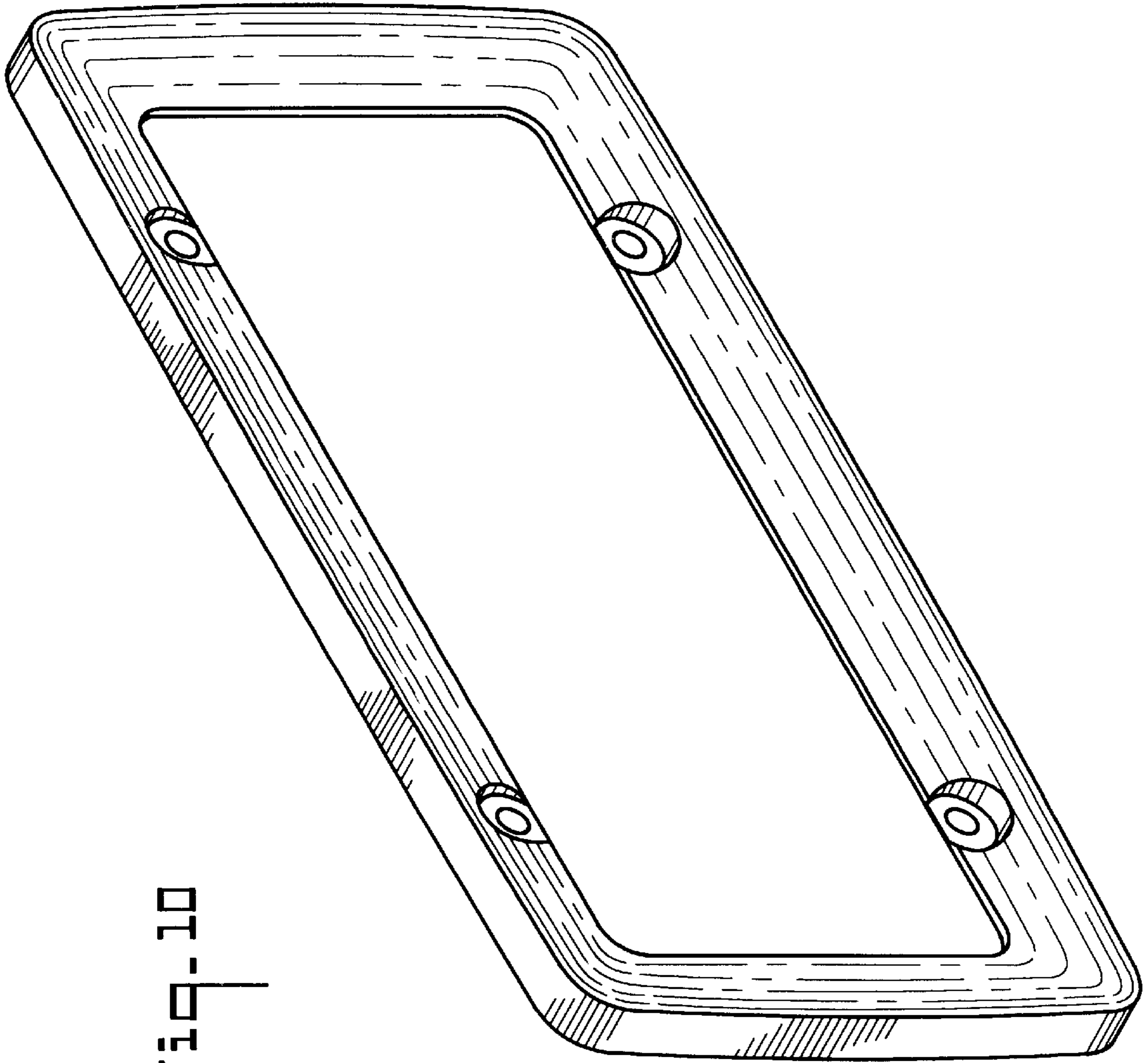


Fig. 10